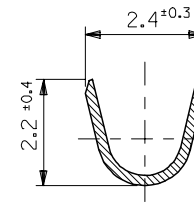
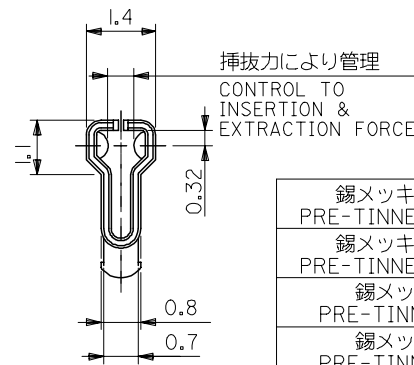
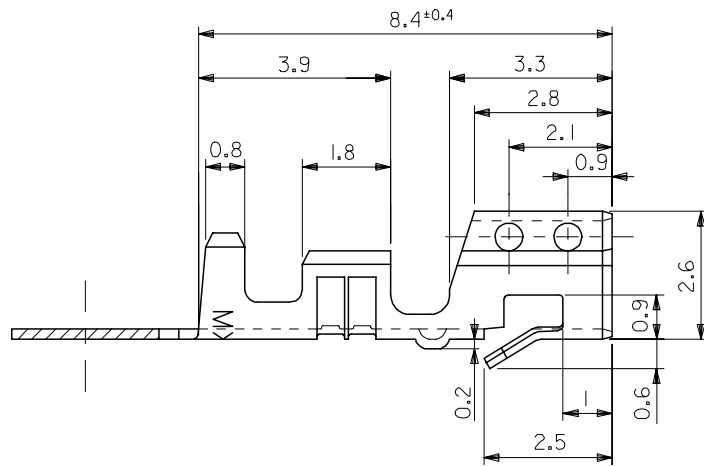


断面 A-A  
SECT. A-A



断面 B-B  
SECT. B-B



注記 NOTES:

1. 適合ハウジング:  
APPLICABLE HOUSING:  
5102-N,5207-N,5208-N,5209-N

錫メッキ済リン青銅 PRE-TINNED PHOS-BRO.	08-70-0059	5103PBTL	バラ状 LOOSE
錫メッキ済リン青銅 PRE-TINNED PHOS-BRO.	08-70-0058	5103PBT	連鎖状 CHAIN
錫メッキ済黄銅 PRE-TINNED BRASS	08-70-0057	5103TL	バラ状 LOOSE
錫メッキ済黄銅 PRE-TINNED BRASS	08-70-0056	5103T	連鎖状 CHAIN
材料 MATERIAL	EDP NO.	ENG. NO.	端子形状 FORM

材料 MATERIAL	表参照 (t=0.203) SEE TABLE
適用電線範囲 WIRE RANGE	AWG#22~28 0.33~0.08mm <sup>2</sup>
被覆外径 INS. RANGE	∅1.15 ~ ∅1.9

REVISED	EC NO: J2006-3417	2006/07/31
	DRWN:KSAIT001	2006/08/04
	CHKD:MTANAKA	2006/08/04
	APPR:NUKITA	2006/08/07
N		

GENERAL TOLERANCES (UNLESS SPECIFIED)	
10 UNDER	±0.2
10 OVER 30 UNDER	±0.25
30 OVER	±0.3
ANGULAR	±3 °
DRAFT WHERE APPLICABLE MUST REMAIN WITHIN DIMENSIONS	

DIMENSION STYLE MM ONLY	
DRAWN BY K.TOJO	DATE 1990/12/25
CHECKED BY H.HIRAMOTO	DATE 1996/03/04
APPROVED BY M.FUKUSHIMA	DATE 1996/03/04
MATERIAL NO. SEE CHART	
SIZE A3	

SCALE 10:1	DESIGN UNITS METRIC	THIRD ANGLE PROJECTION
TITLE MINI SPOX CRIMP REC		
MOLEX INCORPORATED		
DOCUMENT NO. SD-5103-002	SHEET NO. 1 OF 1	
THIS DRAWING CONTAINS INFORMATION THAT IS PROPRIETARY TO MOLEX INCORPORATED AND SHOULD NOT BE USED WITHOUT WRITTEN PERMISSION		