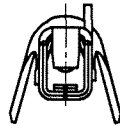


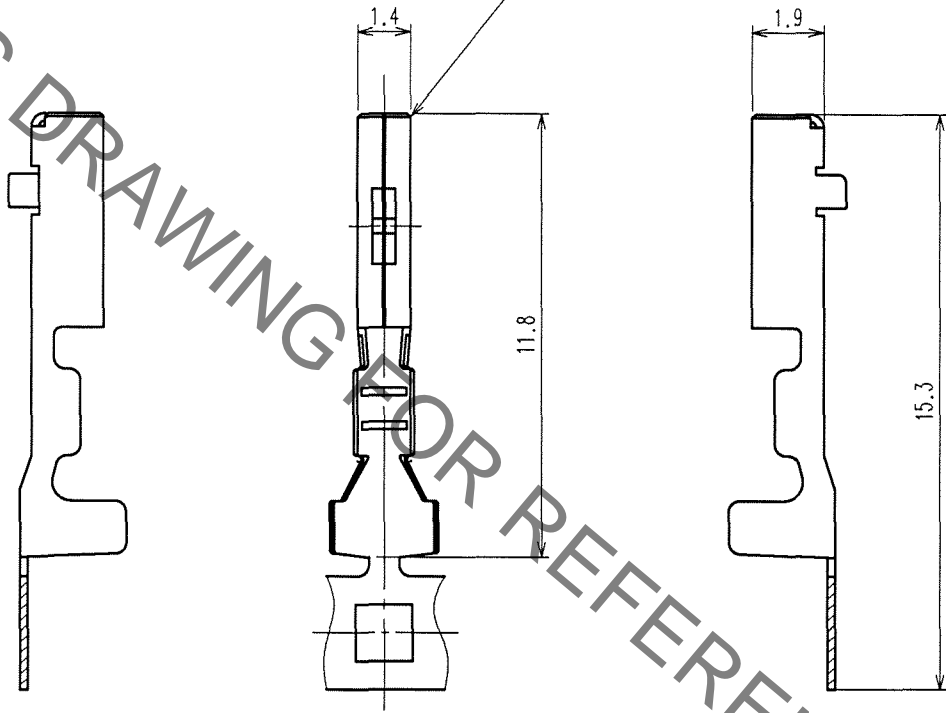
Apr.1.2023 Copyright 2023 HIROSE ELECTRIC CO., LTD. All Rights Reserved.  
 In case of consideration for using Automotive equipment / device which demand high reliability, kindly contact our sales window correspondents.

1		2			3			4		
COUNT	DESCRIPTION OF REVISIONS	BY	CHKD	DATE	COUNT	DESCRIPTION OF REVISIONS	BY	CHKD	DATE	
△					△					
△					△					
△					△					

ELV. RoHS COMPLIANT



1



1	COPPER ALLOY	TIN PLATED
NO.	MATERIAL	FINISH, REMARKS

CODE NO. (OLD) CL?	DRAWN S. KURIYA 07.6.6	DESIGNED N. HARUBAYASHI 05.4.7	CHECKED <i>K. Sato</i> 07.6.6	APPROVED <i>K. Sato</i> 07.6.6	RELEASED
-----------------------	------------------------------	--------------------------------------	-------------------------------------	--------------------------------------	----------

TO

 SCALE 5 : 1 UNITS mm	DRAWING NO. EDC4-166484	PART NO. GT25-2428SCF
	 HIROSE ELECTRIC CO., LTD.	CODE NO. CL775-0013-2