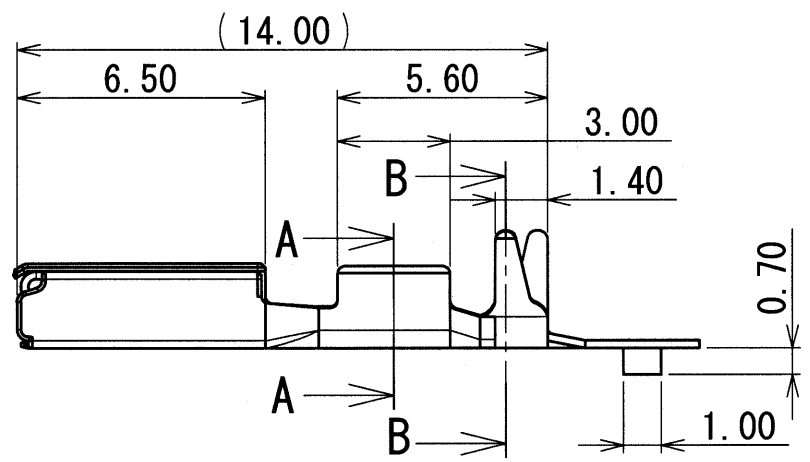
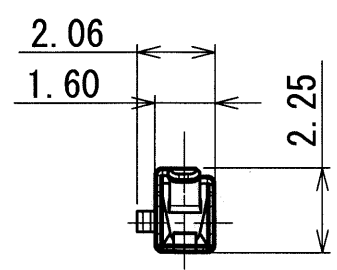
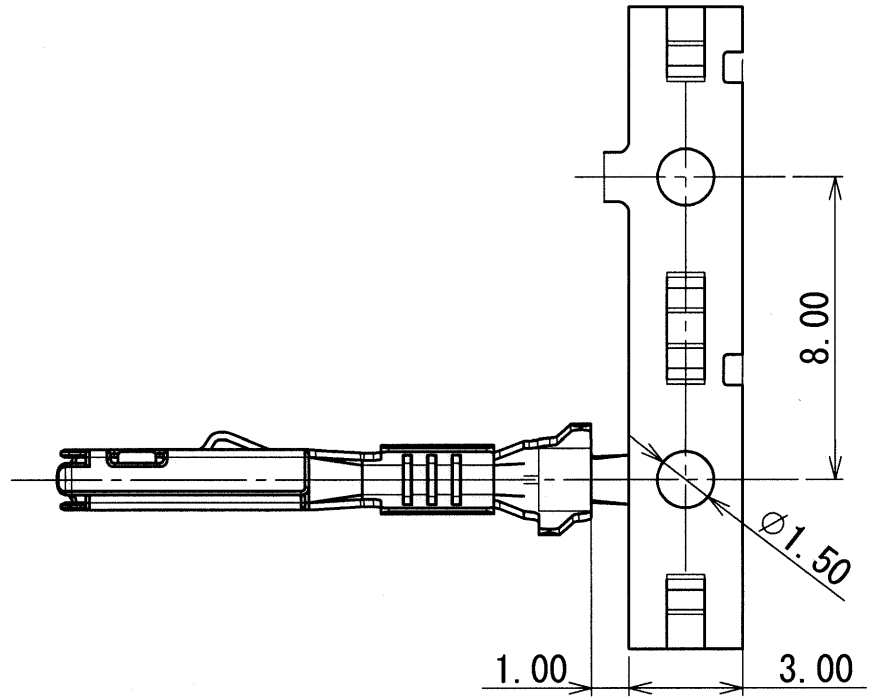
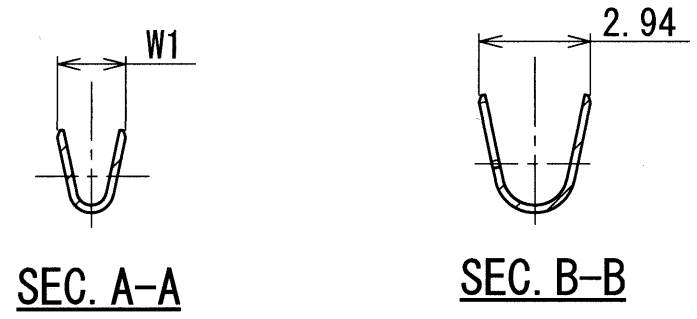
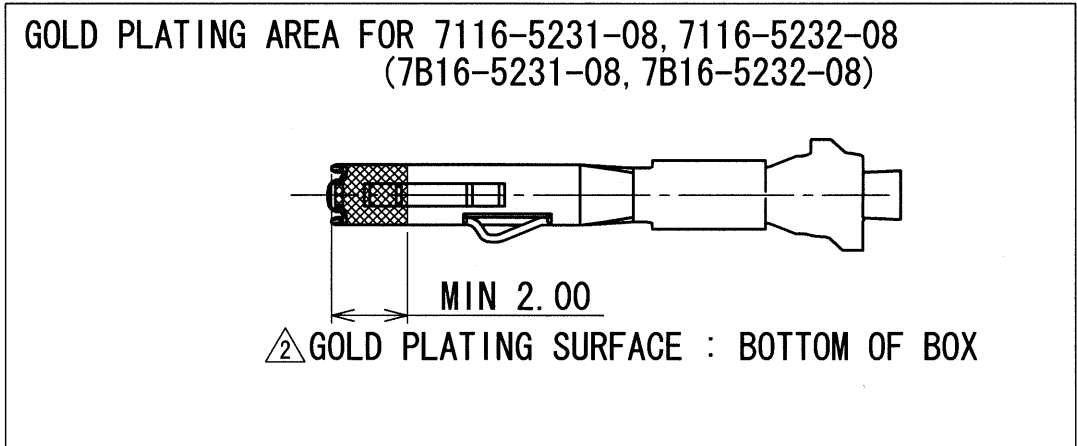
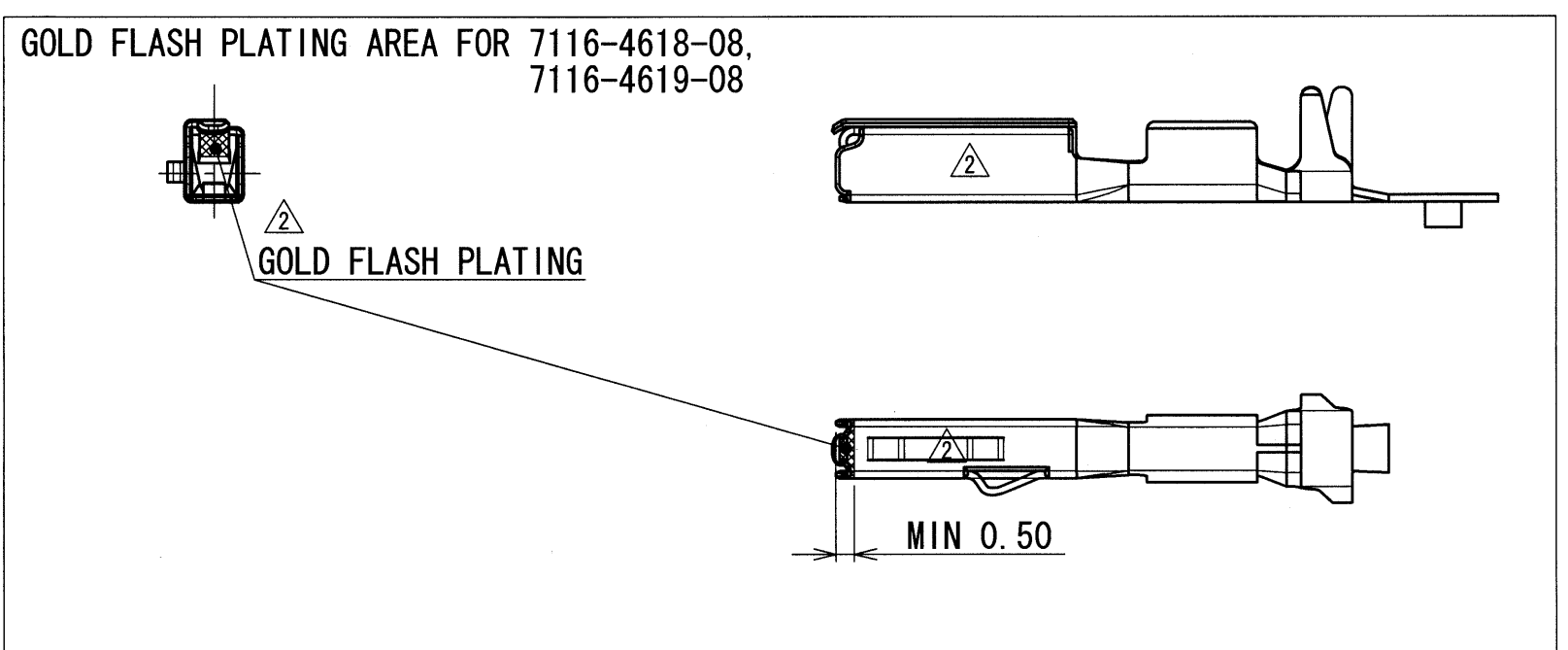


PART NO. AND CH. CODE	W1	TREAT. & FIN.	APPLICABLE WIRE SIZE
7116-4618-02	1.82	TIN PLATING	AWG 22~20 CABLE DIAMETER 1.20~1.90 \triangle
7116-4619-02	1.96	TIN PLATING	AWG 18 CABLE DIAMETER 1.50~1.90 \triangle
\triangle 7116-4618-08	1.82	GOLD PLATING	AWG 22~20 CABLE DIAMETER 1.20~1.90
\triangle 7116-4619-08	1.96	GOLD PLATING	AWG 18 CABLE DIAMETER 1.50~1.90
\triangle 7116-5231-08 (7B16-5231-08)	1.82	GOLD PLATING	AWG 22~20 CABLE DIAMETER 1.20~1.90
\triangle 7116-5232-08 (7B16-5232-08)	1.96	GOLD PLATING	AWG 18 CABLE DIAMETER 1.50~1.90



\triangle 注記
 1. 嵌合端子品番 TIN: 7114-4618-02 ETC.
 GOLD: -
 2. ()内品番は、エアバッグ (A/B) 回路及び特別回路に使用時に適用する。

\triangle NOTES
 1. MALE COUNTERPART NO. TIN: 7114-4618-02 ETC.
 GOLD: -
 2. () PART NO IS USED FOR PARTS ASSOCIATED WITH
 A/B CIRCUITS OR OTHER SPECIFIED CIRCUITS.



LET	DATE	REVISION RECORD	NO.	CHKD
\triangle	07/09/11	CHANGED NOTES, ETC.	C07-Z899	T. Y
\triangle	06/11/23	ADDED PART NO., ETC.	C06-ZC98	T. Y
	03/10/15	NEW	C03-X622	Y. I

GENERAL TOLERANCE						
	10MAX	50MAX	100MAX	250MAX	2500VR	ANGLE
A	± 0.15	± 0.2	± 0.3	± 0.5	± 0.75	$\pm 30'$
B	± 0.2	± 0.3	± 0.55	± 0.95	± 1.4	$\pm 30'$
C	± 0.3	± 0.5	± 0.8	± 1.4	± 2	$\pm 30'$
SPECIFIED						MASS

CUSTOMER		MATERIAL SPEC.		TREAT. & FIN.	
CUSTOMER PART NO.		COPPER ALLOY (t=0.20)		\triangle SEE TABLE	
OFFICE		NAME			
VENDOR		KAIZEN 0.64 TERMINAL FEMALE			
VENDOR NO.		PART NO.		7116-4618-02 ETC.	
DWG TYPE		CH. CODE		7116-4618-02:R	
DWG SOURCE		DWG NO.		SET DWG NO.	
NEW		7116-4618-02:R			
DWG DATE		DESIGN		DRAWN	
03/10/15		Y. ITO		A. PANGANIBAN	
UNIT		DATE		DATE	
mm		03/09/11		07/09/11	
SCL		YAZAKI CORPORATION			
5:1					
ANGLE					
3					

Mouser Electronics

Authorized Distributor

Click to View Pricing, Inventory, Delivery & Lifecycle Information:

Yazaki:

[71165110](#) [7116461802](#)