

ADS1259-Q1 Automotive, 14.4-kSPS, 24-Bit Analog-to-Digital Converter With Integrated Low-Drift Reference

1 Features

- Qualified for Automotive Applications
- AEC-Q100 Qualified with the Following Results:
 - Temperature Grade 1: -40°C to 125°C
 - HBM ESD Classification 2
 - CDM ESD Classification C4B
- Programmable Data Rates: 10 SPS to 14.4 kSPS
- Single-Cycle Settling Digital Filter
- High Performance:
 - 21.3 ENOB at 1.2 kSPS
 - INL: 3 ppm
 - Offset Drift: $0.05\ \mu\text{V}/^{\circ}\text{C}$
 - Gain Drift: $0.5\ \text{ppm}/^{\circ}\text{C}$
- Internal Reference: 2.5 V, 10 ppm/ $^{\circ}\text{C}$ Drift
- Internal 2% Accurate Oscillator
- Input Signal Out-of-Range Detection
- Optional Checksum and Redundant Data-Read Capability to Augment Data Integrity
- SPI™-Compatible Interface, Mode 1
- Analog Supply: 5 V or $\pm 2.5\ \text{V}$
- Digital Supply: 2.7 V to 5 V

2 Applications

- Automotive Power Train
- Electrical Vehicles

3 Description

The ADS1259-Q1 is a precision, low-drift, 24-bit, analog-to-digital converter (ADC). The device can perform conversions at data rates up to 14.4 kSPS with high resolution and is therefore ideally suited to measure rapidly changing signals that have a wide dynamic range. An integrated low-noise, low-drift 2.5-V reference eliminates the need for an external voltage reference, thus reducing system cost and component count.

The converter uses a fourth-order, inherently stable, delta-sigma ($\Delta\Sigma$) modulator that provides outstanding noise performance and linearity. The device can use the integrated oscillator, an external crystal, or an external clock as the ADC clock source.

A fast-responding input overrange detector flags the conversion data if an input overrange event occurs. To augment data integrity in noisy automotive environments the ADS1259-Q1 offers an optional checksum byte and a redundant conversion data-read capability.

The ADS1259-Q1 consumes 13 mW during operation and less than $25\ \mu\text{W}$ when powered down. TI offers the ADS1259-Q1 device in a TSSOP-20 package with full specification from -40°C to 125°C .

Device Information

ORDER NUMBER	PACKAGE	BODY SIZE
ADS1259QPWRQ1	TSSOP (20)	6,5 mm x 4,4 mm

ADS1259-Q1 Simplified Block Diagram

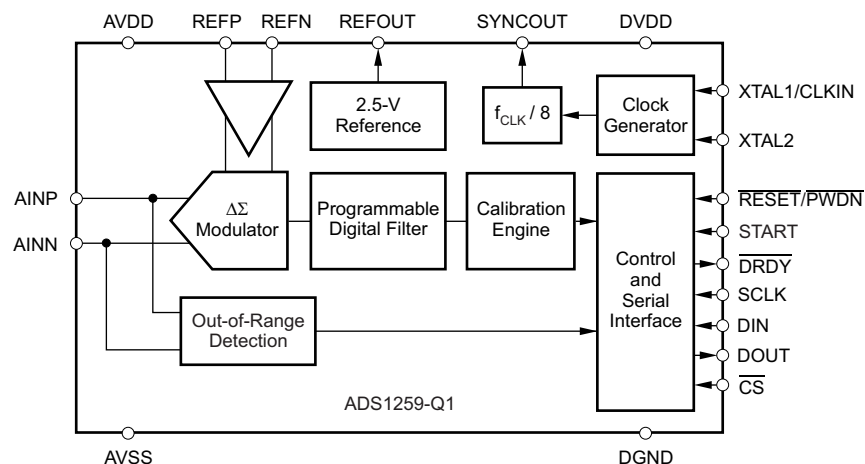


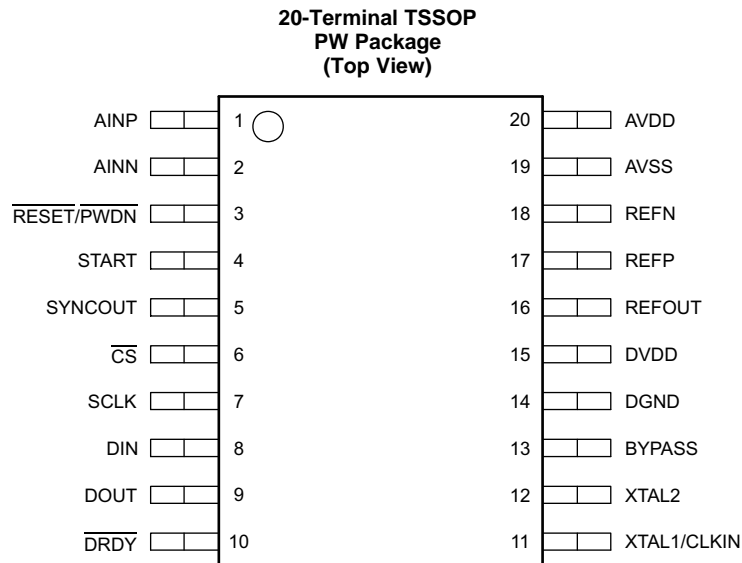
Table of Contents

<p>1 Features 1</p> <p>2 Applications 1</p> <p>3 Description 1</p> <p>4 Revision History 2</p> <p>5 Terminal Configuration and Functions 3</p> <p>6 Specifications 4</p> <p style="padding-left: 20px;">6.1 Absolute Maximum Ratings 4</p> <p style="padding-left: 20px;">6.2 Handling Ratings 4</p> <p style="padding-left: 20px;">6.3 Recommended Operating Conditions 5</p>	<p>6.4 Thermal Information 5</p> <p>6.5 Electrical Characteristics 6</p> <p>7 Residue 7</p> <p>8 Device Documentation and Support 8</p> <p style="padding-left: 20px;">8.1 Trademarks 8</p> <p style="padding-left: 20px;">8.2 Electrostatic Discharge Caution 8</p> <p style="padding-left: 20px;">8.3 Glossary 8</p> <p>9 Mechanical, Packaging, and Orderable Information 9</p>
--	---

4 Revision History

DATE	REVISION	NOTES
March 2014	*	Initial release

5 Terminal Configuration and Functions



Terminal Functions

TERMINAL		TYPE	DESCRIPTION
NO.	NAME		
1	AINP	Analog input	Positive analog input
2	AINN	Analog input	Negative analog input
3	$\overline{\text{RESET/PWDN}}$	Digital input	Reset or power down; reset is active-low; hold low for power down.
4	START	Digital input	Start conversions, active-high
5	SYNCOUT	Digital output	Sync clock output ($f_{(\text{CLK})} / 8$)
6	$\overline{\text{CS}}$	Digital input	SPI chip-select, active-low
7	SCLK	Digital input	SPI clock input
8	DIN	Digital input	SPI data input
9	DOUT	Digital output	SPI data output
10	$\overline{\text{DRDY}}$	Digital output	Data-ready output, active-low
11	XTAL1/CLKIN	Digital input	Internal oscillator: DGND External clock: clock input Crystal oscillator: external crystal1
12	XTAL2	Digital	External crystal2, otherwise no connection
13	BYPASS	Analog	Core voltage bypass. Connect a 1- μF capacitor to DGND.
14	DGND	Digital	Digital ground
15	DVDD	Digital	Digital power supply
16	REFOUT	Analog output	Positive internal reference output. Connect a 1- μF capacitor, C_{REFOUT} , to AVSS.
17	REFP	Analog input	Positive reference input. Connect a 1- μF capacitor, C_{REFIN} , to REFN. ⁽¹⁾
18	REFN	Analog input	Negative reference input ⁽¹⁾
19	AVSS	Analog	Negative analog power supply and negative internal reference output
20	AVDD	Analog	Positive analog power supply

(1) Leave unused reference inputs unconnected or tie to AVDD.

6 Specifications

6.1 Absolute Maximum Ratings⁽¹⁾

over operating ambient temperature range (unless otherwise noted)

		MIN	MAX	UNIT
AVDD to AVSS		-0.3	7	V
AVSS to DGND		-2.8	0.3	V
DVDD to DGND		-0.3	7	V
Analog input voltage	AINN, AINP, REFN, REFP	AVSS - 0.3	AVDD + 0.3	V
Digital input voltage	\overline{CS} , DIN, RESET/PDWN, SCLK, START, XTAL1/CLKIN	DGND - 0.3	DVDD + 0.3	V
Input current, continuous	Any terminal except supply terminals	-10	10	mA
Operating junction temperature, T _J		-40	150	°C

- (1) Stresses beyond those listed under *Absolute Maximum Ratings* may cause permanent damage to the device. These are stress ratings only, which do not imply functional operation of the device at these or any other conditions beyond those indicated under *Recommended Operating Conditions*. Exposure to absolute-maximum-rated conditions for extended periods may affect device reliability.

6.2 Handling Ratings

		MIN	MAX	UNIT
T _{stg}	Storage temperature range	-60	150	°C
V _(ESD) ⁽¹⁾	Human-body model (HBM) ESD stress voltage ⁽²⁾	-2	2	kV
	Charged-device model (CDM) ESD stress voltage ⁽²⁾	-1	1	kV

- (1) Electrostatic discharge (ESD) to measure device sensitivity or immunity to damage caused by assembly-line electrostatic discharges into the device.
 (2) Meets or exceeds the passing level per AEC-Q100.

6.3 Recommended Operating Conditions

over operating ambient temperature range (unless otherwise noted)

		MIN	NOM	MAX	UNIT
POWER SUPPLY					
Analog power supply	AVDD to AVSS	4.75	5.0	5.25	V
	AVSS to DGND	-2.6	-2.5	0	V
Digital power supply	DVDD to DGND	2.7	3.3	5.25	V
ANALOG INPUTS					
Absolute input voltage	AINP or AINN	AVSS - 0.1		AVDD + 0.1	V
Differential input voltage ⁽¹⁾	$V_{(IN)} = (V_{(AINP)} - V_{(AINN)})$	-V _{ref}		V _{ref}	V
VOLTAGE REFERENCE INPUTS					
Reference input voltage	$V_{ref} = (V_{(REFP)} - V_{(REFN)})$	0.5	2.5	AVDD - AVSS + 0.2	V
Absolute negative reference voltage	REFN	AVSS - 0.1	AVSS	REFP - 0.5	V
Absolute positive reference voltage	REFP	REFN + 0.5	AVSS + 2.5	AVDD + 0.1	V
EXTERNAL CLOCK SOURCES (f_(CLK))					
Crystal oscillator	Frequency	2	7.3728	8	MHz
External clock	Frequency	0.1	7.3728	8	MHz
	Duty cycle	40%		60%	
DIGITAL INPUTS					
High-level input voltage, V _{IH}		0.8 DVDD		DVDD	V
Low-level input voltage, V _{IL}		DGND		0.2 DVDD	V
TEMPERATURE RANGE					
Operating ambient temperature, T _A		-40		125	°C

(1) Excluding the effects of offset and gain error.

6.4 Thermal Information

THERMAL METRIC ⁽¹⁾		PW (20 TERMINALS)	UNIT
R _{θJA}	Junction-to-ambient thermal resistance	86.9	°C/W
R _{θJC(top)}	Junction-to-case (top) thermal resistance	21	°C/W
R _{θJB}	Junction-to-board thermal resistance	39.1	°C/W
ψ _{JT}	Junction-to-top characterization parameter	0.8	°C/W
ψ _{JB}	Junction-to-board characterization parameter	38.4	°C/W
R _{θJC(bot)}	Junction-to-case (bottom) thermal resistance	N/A	°C/W

(1) For more information about traditional and new thermal metrics, see the *IC Package Thermal Metrics* application report, [SPRA953](#).

6.5 Electrical Characteristics

Minimum and maximum specifications are at $T_A = -40^\circ\text{C}$ to 125°C . Typical specifications are at $T_A = 25^\circ\text{C}$, $AVDD = 2.5\text{ V}$, $AVSS = -2.5\text{ V}$, $DVDD = 3.3\text{ V}$, external $f_{\text{CLK}} = 7.3728\text{ MHz}$, external $V_{\text{ref}} = 2.5\text{ V}$, and $f_{\text{DATA}} = 60\text{ SPS}$ (unless otherwise noted)

PARAMETER	TEST CONDITIONS	MIN	TYP	MAX	UNIT
ANALOG INPUTS					
Differential input impedance			120		k Ω
Common-mode input impedance			500		k Ω
SYSTEM PERFORMANCE					
Resolution (no missing codes)		24			Bits
Data rate, f_{DATA}		10		14,400	SPS
Noise (input referred)	Shorted inputs, See SBAS424 for more information.		0.7		μV_{RMS}
Integral nonlinearity, INL	Best-fit method	-10	± 3	10	ppm
Offset voltage (input referred)		-250	± 40	250	μV
Offset voltage after calibration ⁽¹⁾			± 1		μV
Offset drift	$T_A = -40^\circ\text{C}$ to 125°C		0.05	0.25	$\mu\text{V}/^\circ\text{C}$
Gain error ⁽²⁾		-0.5%	$\pm 0.05\%$	0.5%	
Gain error after calibration ⁽¹⁾			$\pm 0.0002\%$		
Gain drift	$T_A = -40^\circ\text{C}$ to 125°C		0.5	2.5	ppm/ $^\circ\text{C}$
Normal-mode rejection ratio, NMRR		See SBAS424 .			
Common-mode rejection ratio, CMRR	60 Hz, ac ⁽³⁾	100	120		dB
AVDD, AVSS power-supply rejection ratio, PSRR	60 Hz, ac ⁽³⁾	85	95		dB
DVDD power supply-rejection ratio, PSRR	60 Hz, ac ⁽³⁾	85	110		dB
OUT-OF-RANGE DETECTION					
Threshold level	$AVSS + 150\text{ mV} \leq V_{\text{(AINP)}}; V_{\text{(AINN)}} \leq AVDD - 150\text{ mV}$		± 105		%FSR
Threshold level accuracy	$AVSS + 150\text{ mV} \leq V_{\text{(AINP)}}; V_{\text{(AINN)}} \leq AVDD - 150\text{ mV}$		± 0.5		%FSR
VOLTAGE REFERENCE INPUTS					
Average reference input current	$AVSS \leq V_{\text{(REFP)}}; V_{\text{(REFN)}} \leq AVDD$		350		nA
Average reference input current drift			0.2		nA/ $^\circ\text{C}$
INTERNAL VOLTAGE REFERENCE					
Reference output voltage	$V_{\text{(REFOUT)}} = (\text{REFOUT} - AVSS)$		2.5		V
Accuracy	$T_A = 25^\circ\text{C}$	-0.4%		0.4%	
Temperature drift	$T_A = -40^\circ\text{C}$ to 125°C		10	40	ppm/ $^\circ\text{C}$
Drive current (sink and source)		-10		10	mA
Load regulation			10		$\mu\text{V}/\text{mA}$
Turn-on settling time	$\pm 0.001\%$ settling, $C_{\text{REFIN}} = 1\text{ }\mu\text{F}$, $C_{\text{REFOUT}} = 1\text{ }\mu\text{F}$		1		s
Long-term stability	0 to 1000 hours		70		ppm
Thermal hysteresis			30		ppm
CLOCK SOURCE (f_{CLK})					
Internal oscillator frequency			7.3728		MHz
Internal oscillator accuracy		-2%	$\pm 0.2\%$	2%	
External crystal oscillator start-up time ⁽⁴⁾	18-pF load capacitors		20		ms
DIGITAL INPUTS AND OUTPUTS (DVDD = 2.7 V to 5.25 V)					
High-level output voltage, V_{OH}	$I_{\text{OH}} = 1\text{ mA}$	0.8 DVDD			V
	$I_{\text{OH}} = 8\text{ mA}$	0.75 DVDD			
Low-level output voltage, V_{OL}	$I_{\text{OL}} = 1\text{ mA}$	0.2 DVDD			V
	$I_{\text{OL}} = 8\text{ mA}$	0.2 DVDD			
Input hysteresis			0.1		V
Input leakage	$0 < V_{\text{(DIGITAL INPUT)}} < DVDD$	-10		10	μA

(1) Calibration accuracy is on the level of noise (signal and ADC), reduced by the effect of 16-reading averaging.

(2) Excludes internal reference error.

(3) $f_{\text{DATA}} = 14.4\text{ kSPS}$. Placing a notch of the digital filter at 60 Hz (setting $f_{\text{DATA}} = 10\text{ SPS}$ or 60 SPS) further improves the common-mode rejection and power-supply rejection of this input frequency.

(4) External crystal start-up time can vary with crystal manufacturer and over temperature.

Electrical Characteristics (continued)

Minimum and maximum specifications are at $T_A = -40^{\circ}\text{C}$ to 125°C . Typical specifications are at $T_A = 25^{\circ}\text{C}$, $AVDD = 2.5\text{ V}$, $AVSS = -2.5\text{ V}$, $DVDD = 3.3\text{ V}$, external $f_{\text{CLK}} = 7.3728\text{ MHz}$, external $V_{\text{ref}} = 2.5\text{ V}$, and $f_{\text{DATA}} = 60\text{ SPS}$ (unless otherwise noted)

PARAMETER	TEST CONDITIONS	MIN	TYP	MAX	UNIT
POWER SUPPLY					
Absolute analog supply current (AVDD, AVSS)	Operating (internal reference enabled)		2.3	5	mA
	Standby mode (internal reference enabled)		200		μA
	Standby mode (internal reference disabled)		1		
	Power-down mode		1		
Digital supply current (DVDD)	Operating (internal oscillator ⁽⁵⁾)		500	700	μA
	Standby mode (internal oscillator)		160	300	
	Power-down mode (external CLKIN, SCLK stopped, digital inputs maintained at V_{IH} or V_{IL} voltage levels)		1	10	
Power dissipation	Operating (internal reference enabled, internal oscillator)		13	28	mW
	Standby mode (internal reference enabled, internal oscillator)		1.5		
	Standby mode (internal reference disabled, internal oscillator)		0.5		
	Power-down mode		10		μW

(5) Internal oscillator current: 40 μA (typ.)

7 Residue

See [SBAS424](#) for any information on the ADS1259-Q1 device that is not covered in the foregoing sections.

8 Device Documentation and Support

8.1 Trademarks

SPI is a trademark of Motorola.

All other trademarks are the property of their respective owners.

8.2 Electrostatic Discharge Caution



This integrated circuit can be damaged by ESD. Texas Instruments recommends that all integrated circuits be handled with appropriate precautions. Failure to observe proper handling and installation procedures can cause damage.

ESD damage can range from subtle performance degradation to complete device failure. Precision integrated circuits may be more susceptible to damage because very small parametric changes could cause the device not to meet its published specifications.

8.3 Glossary

[SLYZ022](#) — *TI Glossary*.

This glossary lists and explains terms, acronyms and definitions.

9 Mechanical, Packaging, and Orderable Information

The following pages include mechanical packaging and orderable information. This information is the most current data available for the designated devices. This data is subject to change without notice and without revision of this document. For browser-based versions of this data sheet, refer to the left-hand navigation.

PACKAGING INFORMATION

Orderable Device	Status (1)	Package Type	Package Drawing	Pins	Package Qty	Eco Plan (2)	Lead/Ball Finish (6)	MSL Peak Temp (3)	Op Temp (°C)	Device Marking (4/5)	Samples
ADS1259QPWRQ1	ACTIVE	TSSOP	PW	20	2000	Green (RoHS & no Sb/Br)	CU NIPDAU	Level-1-260C-UNLIM	-40 to 125	AD1259Q1	Samples

(1) The marketing status values are defined as follows:

ACTIVE: Product device recommended for new designs.

LIFEBUY: TI has announced that the device will be discontinued, and a lifetime-buy period is in effect.

NRND: Not recommended for new designs. Device is in production to support existing customers, but TI does not recommend using this part in a new design.

PREVIEW: Device has been announced but is not in production. Samples may or may not be available.

OBSELETE: TI has discontinued the production of the device.

(2) Eco Plan - The planned eco-friendly classification: Pb-Free (RoHS), Pb-Free (RoHS Exempt), or Green (RoHS & no Sb/Br) - please check <http://www.ti.com/productcontent> for the latest availability information and additional product content details.

TBD: The Pb-Free/Green conversion plan has not been defined.

Pb-Free (RoHS): TI's terms "Lead-Free" or "Pb-Free" mean semiconductor products that are compatible with the current RoHS requirements for all 6 substances, including the requirement that lead not exceed 0.1% by weight in homogeneous materials. Where designed to be soldered at high temperatures, TI Pb-Free products are suitable for use in specified lead-free processes.

Pb-Free (RoHS Exempt): This component has a RoHS exemption for either 1) lead-based flip-chip solder bumps used between the die and package, or 2) lead-based die adhesive used between the die and leadframe. The component is otherwise considered Pb-Free (RoHS compatible) as defined above.

Green (RoHS & no Sb/Br): TI defines "Green" to mean Pb-Free (RoHS compatible), and free of Bromine (Br) and Antimony (Sb) based flame retardants (Br or Sb do not exceed 0.1% by weight in homogeneous material)

(3) MSL, Peak Temp. - The Moisture Sensitivity Level rating according to the JEDEC industry standard classifications, and peak solder temperature.

(4) There may be additional marking, which relates to the logo, the lot trace code information, or the environmental category on the device.

(5) Multiple Device Markings will be inside parentheses. Only one Device Marking contained in parentheses and separated by a "~" will appear on a device. If a line is indented then it is a continuation of the previous line and the two combined represent the entire Device Marking for that device.

(6) Lead/Ball Finish - Orderable Devices may have multiple material finish options. Finish options are separated by a vertical ruled line. Lead/Ball Finish values may wrap to two lines if the finish value exceeds the maximum column width.

Important Information and Disclaimer:The information provided on this page represents TI's knowledge and belief as of the date that it is provided. TI bases its knowledge and belief on information provided by third parties, and makes no representation or warranty as to the accuracy of such information. Efforts are underway to better integrate information from third parties. TI has taken and continues to take reasonable steps to provide representative and accurate information but may not have conducted destructive testing or chemical analysis on incoming materials and chemicals. TI and TI suppliers consider certain information to be proprietary, and thus CAS numbers and other limited information may not be available for release.

In no event shall TI's liability arising out of such information exceed the total purchase price of the TI part(s) at issue in this document sold by TI to Customer on an annual basis.

OTHER QUALIFIED VERSIONS OF ADS1259-Q1 :

- Catalog: [ADS1259](#)

NOTE: Qualified Version Definitions:

- Catalog - TI's standard catalog product

TAPE AND REEL INFORMATION



QUADRANT ASSIGNMENTS FOR PIN 1 ORIENTATION IN TAPE



*All dimensions are nominal

Device	Package Type	Package Drawing	Pins	SPQ	Reel Diameter (mm)	Reel Width W1 (mm)	A0 (mm)	B0 (mm)	K0 (mm)	P1 (mm)	W (mm)	Pin1 Quadrant
ADS1259QPWRQ1	TSSOP	PW	20	2000	330.0	16.4	6.95	7.1	1.6	8.0	16.0	Q1

TAPE AND REEL BOX DIMENSIONS

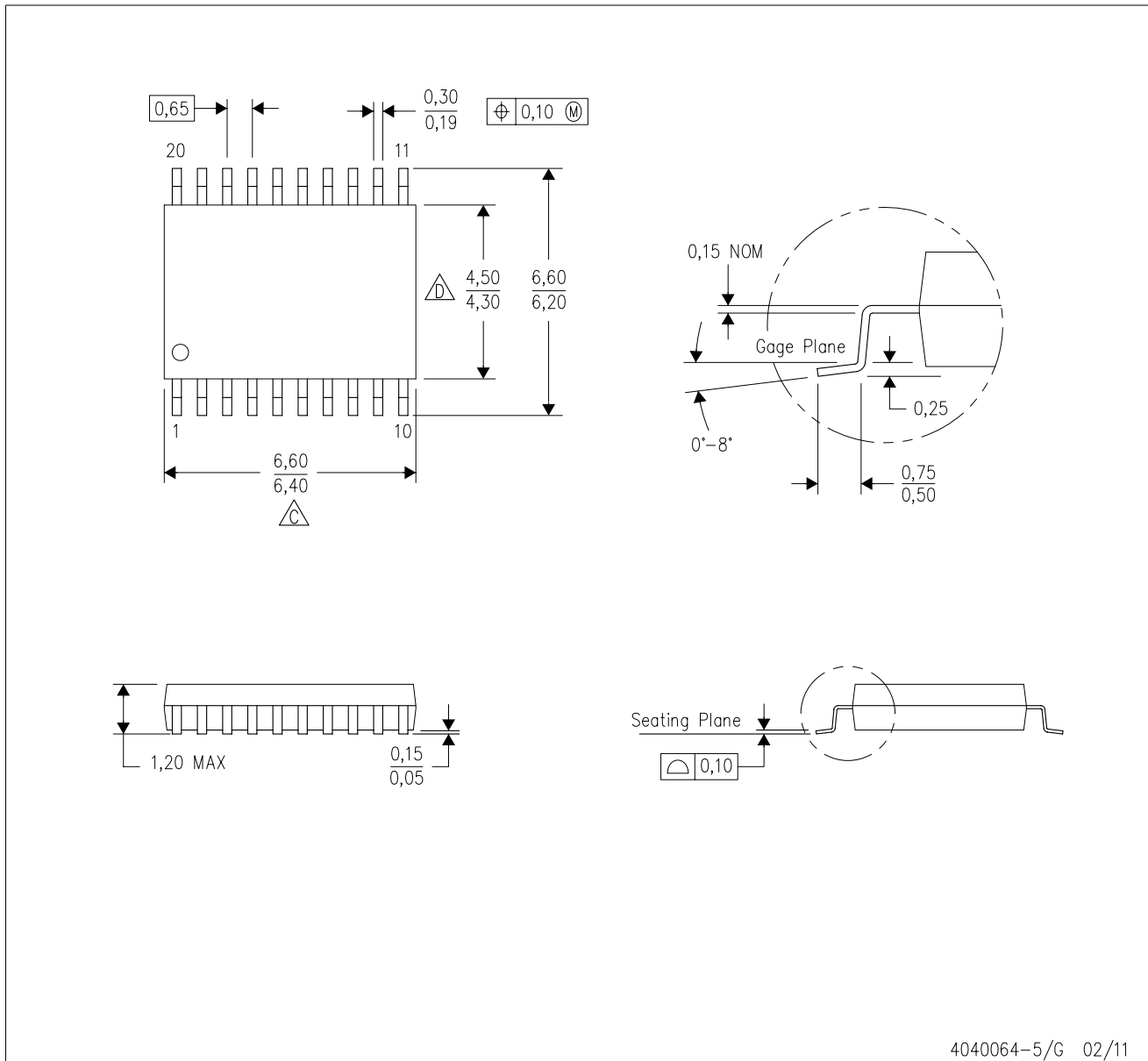


*All dimensions are nominal

Device	Package Type	Package Drawing	Pins	SPQ	Length (mm)	Width (mm)	Height (mm)
ADS1259QPWRQ1	TSSOP	PW	20	2000	367.0	367.0	38.0

PW (R-PDSO-G20)

PLASTIC SMALL OUTLINE



4040064-5/G 02/11

- NOTES:
- A. All linear dimensions are in millimeters. Dimensioning and tolerancing per ASME Y14.5M-1994.
 - B. This drawing is subject to change without notice.
 - Body length does not include mold flash, protrusions, or gate burrs. Mold flash, protrusions, or gate burrs shall not exceed 0,15 each side.
 - Body width does not include interlead flash. Interlead flash shall not exceed 0,25 each side.
 - E. Falls within JEDEC MO-153

PW (R-PDSO-G20)

PLASTIC SMALL OUTLINE



- NOTES:
- A. All linear dimensions are in millimeters.
 - B. This drawing is subject to change without notice.
 - C. Publication IPC-7351 is recommended for alternate design.
 - D. Laser cutting apertures with trapezoidal walls and also rounding corners will offer better paste release. Customers should contact their board assembly site for stencil design recommendations. Refer to IPC-7525 for other stencil recommendations.
 - E. Customers should contact their board fabrication site for solder mask tolerances between and around signal pads.

IMPORTANT NOTICE

Texas Instruments Incorporated and its subsidiaries (TI) reserve the right to make corrections, enhancements, improvements and other changes to its semiconductor products and services per JESD46, latest issue, and to discontinue any product or service per JESD48, latest issue. Buyers should obtain the latest relevant information before placing orders and should verify that such information is current and complete. All semiconductor products (also referred to herein as "components") are sold subject to TI's terms and conditions of sale supplied at the time of order acknowledgment.

TI warrants performance of its components to the specifications applicable at the time of sale, in accordance with the warranty in TI's terms and conditions of sale of semiconductor products. Testing and other quality control techniques are used to the extent TI deems necessary to support this warranty. Except where mandated by applicable law, testing of all parameters of each component is not necessarily performed.

TI assumes no liability for applications assistance or the design of Buyers' products. Buyers are responsible for their products and applications using TI components. To minimize the risks associated with Buyers' products and applications, Buyers should provide adequate design and operating safeguards.

TI does not warrant or represent that any license, either express or implied, is granted under any patent right, copyright, mask work right, or other intellectual property right relating to any combination, machine, or process in which TI components or services are used. Information published by TI regarding third-party products or services does not constitute a license to use such products or services or a warranty or endorsement thereof. Use of such information may require a license from a third party under the patents or other intellectual property of the third party, or a license from TI under the patents or other intellectual property of TI.

Reproduction of significant portions of TI information in TI data books or data sheets is permissible only if reproduction is without alteration and is accompanied by all associated warranties, conditions, limitations, and notices. TI is not responsible or liable for such altered documentation. Information of third parties may be subject to additional restrictions.

Resale of TI components or services with statements different from or beyond the parameters stated by TI for that component or service voids all express and any implied warranties for the associated TI component or service and is an unfair and deceptive business practice. TI is not responsible or liable for any such statements.

Buyer acknowledges and agrees that it is solely responsible for compliance with all legal, regulatory and safety-related requirements concerning its products, and any use of TI components in its applications, notwithstanding any applications-related information or support that may be provided by TI. Buyer represents and agrees that it has all the necessary expertise to create and implement safeguards which anticipate dangerous consequences of failures, monitor failures and their consequences, lessen the likelihood of failures that might cause harm and take appropriate remedial actions. Buyer will fully indemnify TI and its representatives against any damages arising out of the use of any TI components in safety-critical applications.

In some cases, TI components may be promoted specifically to facilitate safety-related applications. With such components, TI's goal is to help enable customers to design and create their own end-product solutions that meet applicable functional safety standards and requirements. Nonetheless, such components are subject to these terms.

No TI components are authorized for use in FDA Class III (or similar life-critical medical equipment) unless authorized officers of the parties have executed a special agreement specifically governing such use.

Only those TI components which TI has specifically designated as military grade or "enhanced plastic" are designed and intended for use in military/aerospace applications or environments. Buyer acknowledges and agrees that any military or aerospace use of TI components which have **not** been so designated is solely at the Buyer's risk, and that Buyer is solely responsible for compliance with all legal and regulatory requirements in connection with such use.

TI has specifically designated certain components as meeting ISO/TS16949 requirements, mainly for automotive use. In any case of use of non-designated products, TI will not be responsible for any failure to meet ISO/TS16949.

Products

Audio	www.ti.com/audio
Amplifiers	amplifier.ti.com
Data Converters	dataconverter.ti.com
DLP® Products	www.dlp.com
DSP	dsp.ti.com
Clocks and Timers	www.ti.com/clocks
Interface	interface.ti.com
Logic	logic.ti.com
Power Mgmt	power.ti.com
Microcontrollers	microcontroller.ti.com
RFID	www.ti-rfid.com
OMAP Applications Processors	www.ti.com/omap
Wireless Connectivity	www.ti.com/wirelessconnectivity

Applications

Automotive and Transportation	www.ti.com/automotive
Communications and Telecom	www.ti.com/communications
Computers and Peripherals	www.ti.com/computers
Consumer Electronics	www.ti.com/consumer-apps
Energy and Lighting	www.ti.com/energy
Industrial	www.ti.com/industrial
Medical	www.ti.com/medical
Security	www.ti.com/security
Space, Avionics and Defense	www.ti.com/space-avionics-defense
Video and Imaging	www.ti.com/video

TI E2E Community

e2e.ti.com