

FEATURES

- User selectable sensor g ranges: $\pm 60 g$, $\pm 120 g$, $\pm 240 g$, $\pm 480 g$**
- Dual x-axis and y-axis sensor**
- Compliant to PSi5 Version 2.1 airbag substandard**
 - Synchronous operation**
 - PSi5-P10P-500/3L and others**
- Daisy-chain operation with bidirectional communication**
- Application level serial peripheral interface (SPI) communication**
- Selectable 16-bit or 10-bit sensor data**
- Independently programmable g range and time slot for each axis**
- Independent fault discrimination for each axis**
- Fully differential analog signal chain**
- 0.25 μs data interpolation routine**
- User selectable, continuous auto-zero operation**
- High resistance to electromagnetic interference (EMI) and radio frequency interference (RFI)**
- SPI mode supply voltage: 3.3 V and 5 V, +5%**
- PSi5 mode supply voltage range: 4.5 V to 11.0 V**
- Qualified for automotive applications**

APPLICATIONS

- Front impact crash sensing**
- Side impact crash sensing**

GENERAL DESCRIPTION

The **ADXL251** is a dual-axis, integrated satellite sensor with user selectable g ranges, compliant to the PSi5 Version 2.1 airbag substandard, and backwards compliant to PSi5 Version 1.3. The **ADXL251** (x-axis/y-axis) enables low cost solutions for front impact and side impact airbags, as well as satellite sensor and electronic control unit (ECU) main sensor applications. Acceleration data is sent to the control module via a digital, 2-wire current loop PSi5 bus. Communication via the SPI bus is also available for ECU applications. The device uses an ECC protected one time programmable (OTP) memory. The sensor g range is configurable to provide full-scale measurement of $\pm 60 g$, $\pm 120 g$, $\pm 240 g$, or $\pm 480 g$ acceleration. The user can program each axis independently with multiple g ranges in different time slots. In PSi5 mode, there are four programmable time slots available. The device transmits 16-bit or 10-bit acceleration data to the control module, and can be configured to include either a 1-bit parity check, or a 3-bit cyclic redundancy check (CRC).

The **ADXL251** is available in a 4 mm \times 4 mm LFCSP package and is specified to operate over the full automotive temperature range, $-40^{\circ}C$ to $+125^{\circ}C$.

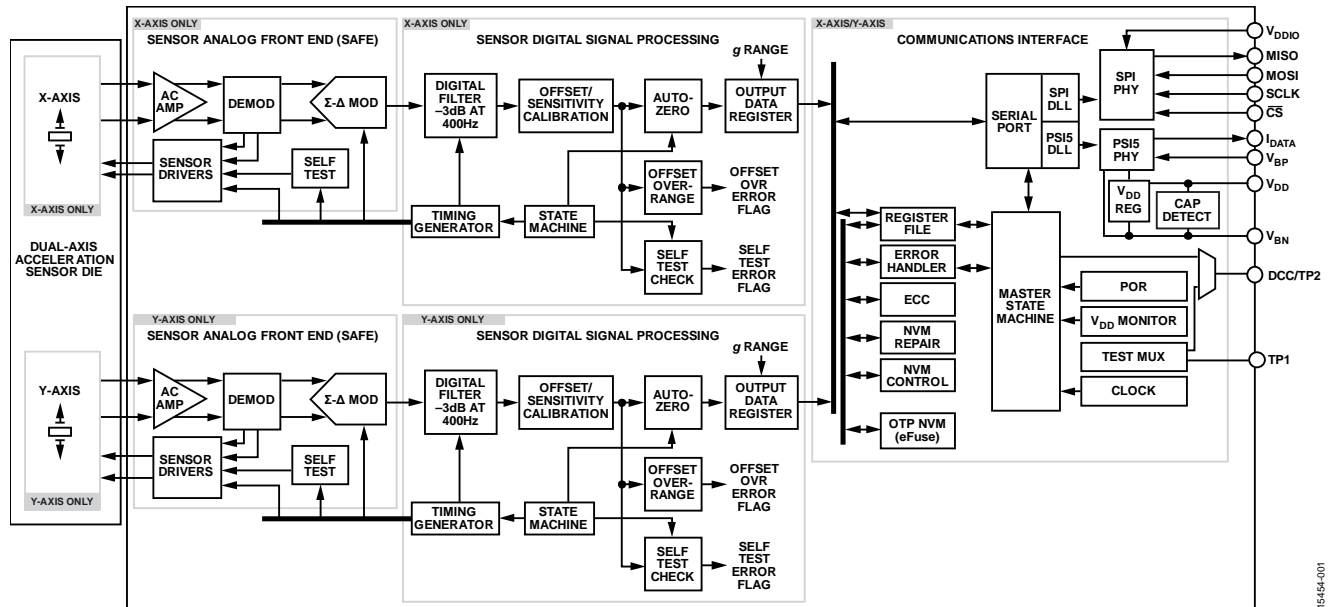
FUNCTIONAL BLOCK DIAGRAM


Figure 1.

For more information about the **ADXL251**, contact the Analog Devices, Inc., **Customer Interaction Center** at http://www.analog.com/technical_support to connect with a technical support specialist.

Rev. Sp0

Document Feedback

Information furnished by Analog Devices is believed to be accurate and reliable. However, no responsibility is assumed by Analog Devices for its use, nor for any infringements of patents or other rights of third parties that may result from its use. Specifications subject to change without notice. No license is granted by implication or otherwise under any patent or patent rights of Analog Devices. Trademarks and registered trademarks are the property of their respective owners.

One Technology Way, P.O. Box 9106, Norwood, MA 02062-9106, U.S.A.
 Tel: 781.329.4700 ©2017 Analog Devices, Inc. All rights reserved.
Technical Support www.analog.com

ADXL251* PRODUCT PAGE QUICK LINKS

Last Content Update: 05/05/2017

COMPARABLE PARTS

View a parametric search of comparable parts.

DOCUMENTATION

Data Sheet

- ADXL251: Dual-Axis, 60 g to 480 g Sensor with SPI and PS15 Data Sheet

DESIGN RESOURCES

- ADXL251 Material Declaration
- PCN-PDN Information
- Quality And Reliability
- Symbols and Footprints

DISCUSSIONS

View all ADXL251 EngineerZone Discussions.

SAMPLE AND BUY

Visit the product page to see pricing options.

TECHNICAL SUPPORT

Submit a technical question or find your regional support number.

DOCUMENT FEEDBACK

Submit feedback for this data sheet.

NOTES