

FEATURES

Output frequency range: 300 MHz to 1000 MHz
Modulation bandwidth: >500 MHz (3 dB)
1 dB output compression: 11 dBm @ 450 MHz
Noise floor: -160 dBm/Hz
Sideband suppression: -41 dBc @ 450 MHz
Carrier feedthrough: -50 dBm @ 450 MHz
Single supply: 4.75 V to 5.25 V
24-lead LFCSP package

APPLICATIONS

Cellular communication systems at 450 MHz
CDMA2000/GSM
WiMAX/broadband wireless access systems
Cable communication equipment
Satellite modems

GENERAL DESCRIPTION

The [ADL5370](#) is the first in the fixed-gain quadrature modulator (F-MOD) family designed for use from 300 MHz to 1000 MHz. Its excellent phase accuracy and amplitude balance enable high performance intermediate frequency or direct radio frequency modulation for communication systems.

The [ADL5370](#) provides a greater than 500 MHz, 3 dB baseband bandwidth, making it ideally suited for use in broadband zero IF or low IF-to-RF applications and in broadband digital predistortion transmitters.

FUNCTIONAL BLOCK DIAGRAM

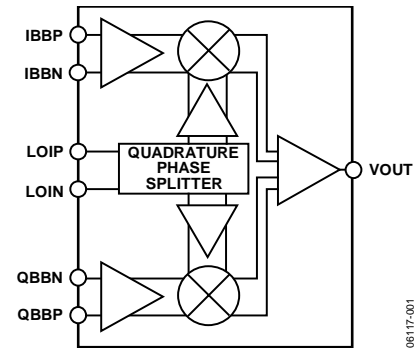


Figure 1.

The [ADL5370](#) accepts two differential baseband inputs and a single-ended LO and generates a single-ended 50 Ω output.

The [ADL5370](#) is fabricated using the Analog Devices, Inc. advanced silicon-germanium bipolar process. It is available in a 24-lead, exposed-paddle, Pb-free, LFCSP package. Performance is specified over a -40°C to $+85^{\circ}\text{C}$ temperature range. A Pb-free evaluation board is available.

ADL5370* PRODUCT PAGE QUICK LINKS

Last Content Update: 02/23/2017

COMPARABLE PARTS

View a parametric search of comparable parts.

EVALUATION KITS

- ADL5370 Evaluation Board

DOCUMENTATION

Application Notes

- AN-0996: The Advantages of Using a Quadrature Digital Upconverter (QDUC) in Point-to-Point Microwave Transmit Systems
- AN-1039: Correcting Imperfections in IQ Modulators to Improve RF Signal Fidelity
- AN-1413: Interfacing the ADL5370 I/Q Modulator to the AD9779A Dual-Channel, 1 GSPS, High Speed DAC
- AN-924: Digital Quadrature Modulator Gain

Data Sheet

- ADL5370: 300 MHz to 1000 MHz Quadrature Modulator Data Sheet

TOOLS AND SIMULATIONS

- ADIsimPLL™
- ADIsimRF

REFERENCE MATERIALS

Product Selection Guide

- RF Source Booklet

DESIGN RESOURCES

- ADL5370 Material Declaration
- PCN-PDN Information
- Quality And Reliability
- Symbols and Footprints

DISCUSSIONS

View all ADL5370 EngineerZone Discussions.

SAMPLE AND BUY

Visit the product page to see pricing options.

TECHNICAL SUPPORT

Submit a technical question or find your regional support number.

DOCUMENT FEEDBACK

Submit feedback for this data sheet.

TABLE OF CONTENTS

Features	1	DAC Modulator Interfacing	13
Applications.....	1	Limiting the AC Swing	13
Functional Block Diagram	1	Filtering.....	13
General Description	1	Using the AD9779 Auxiliary DAC for Carrier Feedthrough Nulling	14
Revision History	2	GSM Operation	14
Specifications.....	3	LO Generation Using PLLs	15
Absolute Maximum Ratings.....	4	Transmit DAC Options	15
ESD Caution.....	4	Modulator/Demodulator Options	15
Pin Configuration and Function Descriptions.....	5	Evaluation Board	16
Typical Performance Characteristics	6	Characterization Setup	17
Theory of Operation	10	Outline Dimensions	19
Circuit Description.....	10	Ordering Guide	19
Basic Connections	11		
Optimization	12		
Applications Information	13		

REVISION HISTORY

4/16—Rev. 0 to Rev. A

Changes to Figure 2 and Table 3.....	5	Changes to Figure 36.....	16
Changes to Figure 25.....	11	Updated Outline Dimensions.....	19
Changes to LO Generation Using PLLs Section, Table 5, and Table 7	15	Changes to Ordering Guide.....	19

10/06—Revision 0: Initial Version

SPECIFICATIONS

$V_S = 5\text{ V}$; $T_A = 25^\circ\text{C}$; LO = 0 dBm¹ single-ended; baseband I/Q amplitude = 1.4 V p-p differential sine waves in quadrature with a 500 mV dc bias; baseband I/Q frequency (f_{BB}) = 1 MHz, unless otherwise noted.

Table 1.

Parameter	Test Conditions/Comments	Min	Typ	Max	Unit
ADL5370					
Operating Frequency Range	LO = 450 MHz Range over which uncompensated sideband suppression < -30 dBc Low frequency High frequency		300 1000		MHz MHz
Output Power	$V_{\text{IQ}} = 1.4\text{ V p-p differential}$		6.2		dBm
Output P1 dB			11		dBm
Carrier Feedthrough			-50		dBm
Sideband Suppression			-41		dBc
Quadrature Error			0.76		Degrees
I/Q Amplitude Balance			0.03		dB
Second Harmonic	$P_{\text{OUT}} - (f_{\text{LO}} + (2 \times f_{\text{BB}}))$, $P_{\text{OUT}} = 6.2\text{ dBm}$		-65		dBc
Third Harmonic	$P_{\text{OUT}} - (f_{\text{LO}} + (3 \times f_{\text{BB}}))$, $P_{\text{OUT}} = 6.2\text{ dBm}$		-54		dBc
Output IP2	$f_{1\text{BB}} = 3.5\text{ MHz}$, $f_{2\text{BB}} = 4.5\text{ MHz}$, $P_{\text{OUT}} = -2\text{ dBm per tone}$		60		dBm
Output IP3	$f_{1\text{BB}} = 3.5\text{ MHz}$, $f_{2\text{BB}} = 4.5\text{ MHz}$, $P_{\text{OUT}} = -2\text{ dBm per tone}$		24		dBm
Noise Floor	I/Q inputs = 0 V differential with a 500 mV common-mode bias, 20 MHz carrier offset		-160		dBm/Hz
GSM	6 MHz carrier offset, $P_{\text{OUT}} = 6\text{ dBm}$, $P_{\text{LO}} = 6\text{ dBm}$		-157		dBc/Hz
LO INPUTS					
LO Drive Level ¹	Characterization performed at typical level	-7	0	+7	dBm
Input Return Loss	See Figure 9 for a plot of return loss vs. frequency		6		dB
BASEBAND INPUTS					
I and Q Input Bias Level	Pin IBBP, Pin IBBN, Pin QBBP, Pin QBBN		500		mV
Input Bias Current	Current sourcing from each baseband input with a bias of 500 mV dc ²		45		μA
Input Offset Current			0.1		μA
Differential Input Impedance			2900		k Ω
Bandwidth (0.1 dB)	LO = 450 MHz, baseband input = 700 mV p-p sine wave on 500 mV dc		70		MHz
Bandwidth (1 dB)	LO = 450 MHz, baseband input = 700 mV p-p sine wave on 500 mV dc		350		MHz
POWER SUPPLIES					
Voltage	Pin VPS1 and Pin VPS2	4.75		5.25	V
Supply Current			205		mA

¹ High LO drive reduces noise at a 6 MHz carrier offset in GSM applications.

² See V-to-I converter discussion in the Circuit Description section for architecture information.

ABSOLUTE MAXIMUM RATINGS

Table 2.

Parameter	Rating
Supply Voltage VPOS	5.5 V
IBBP, IBBN, QBBP, QBBN	0 V to 2 V
LOIP and LOIN	13 dBm
Internal Power Dissipation	1375 mW
θ_{JA} (Exposed Paddle Soldered Down)	54°C/W
Maximum Junction Temperature	159°C
Operating Temperature Range	-40°C to +85°C
Storage Temperature Range	-65°C to +150°C

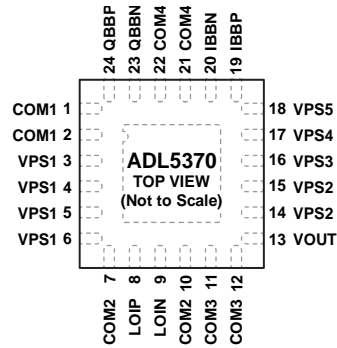
Stresses at or above those listed under Absolute Maximum Ratings may cause permanent damage to the product. This is a stress rating only; functional operation of the product at these or any other conditions above those indicated in the operational section of this specification is not implied. Operation beyond the maximum operating conditions for extended periods may affect product reliability.

ESD CAUTION



ESD (electrostatic discharge) sensitive device. Charged devices and circuit boards can discharge without detection. Although this product features patented or proprietary protection circuitry, damage may occur on devices subjected to high energy ESD. Therefore, proper ESD precautions should be taken to avoid performance degradation or loss of functionality.

PIN CONFIGURATION AND FUNCTION DESCRIPTIONS



NOTES
1. EXPOSED PAD. CONNECT TO A GROUND PLANE VIA A LOW IMPEDANCE PATH.

06117-002

Figure 2. Pin Configuration

Table 3. Pin Function Descriptions

Pin No.	Mnemonic	Description
1, 2, 7, 10 to 12, 21, 22	COM1, COM2, COM3, COM4	Input Common Pins. Connect to ground plane via a low impedance path.
3 to 6, 14 to 18	VPS1, VPS2, VPS3, VPS4, VPS5	Positive Supply Voltage Pins. All pins should be connected to the same supply (V_s). To ensure adequate external bypassing, connect 0.1 μ F capacitors between each pin and ground. Adjacent power supply pins of the same name can share one capacitor (see Figure 25).
19, 20, 23, 24	IBBP, IBBN, QBBN, QBBP	Differential In-Phase and Quadrature Baseband Inputs. These high impedance inputs must be dc-biased to 500 mV dc, and must be driven from a low impedance source. Nominal characterized ac signal swing is 700 mV p-p on each pin. This results in a differential drive of 1.4 V p-p with a 500 mV dc bias. These inputs are not self-biased and must be externally biased.
8, 9	LOIP, LOIN	50 Ω Single-Ended Local Oscillator Input. Internally dc-biased. Pins must be ac-coupled. AC-couple LOIN to ground and drive LO through LOIP.
13	VOUT EPAD	Device Output. Single-ended, 50 Ω internally biased RF output. Pin must be ac-coupled to the load. Exposed Pad. Connect to a ground plane via a low impedance path.

TYPICAL PERFORMANCE CHARACTERISTICS

$V_S = 5\text{ V}$; $T_A = 25^\circ\text{C}$; LO = 0 dBm single-ended; baseband I/Q amplitude = 1.4 V p-p differential sine waves in quadrature with a 500 mV dc bias; baseband I/Q frequency (f_{BB}) = 1 MHz, unless otherwise noted.

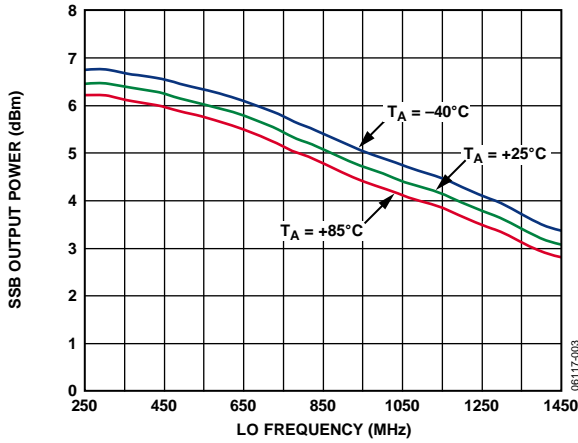


Figure 3. Single Sideband (SSB) Output Power (P_{OUT}) vs. LO Frequency (f_{LO}) and Temperature

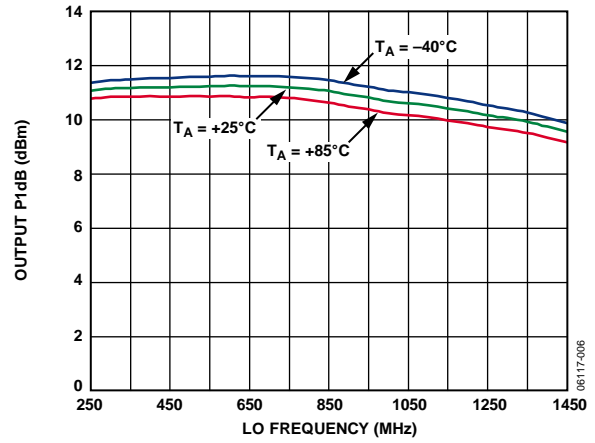


Figure 6. SSB Output 1 dB Compression Point ($OP1dB$) vs. f_{LO} and Temperature

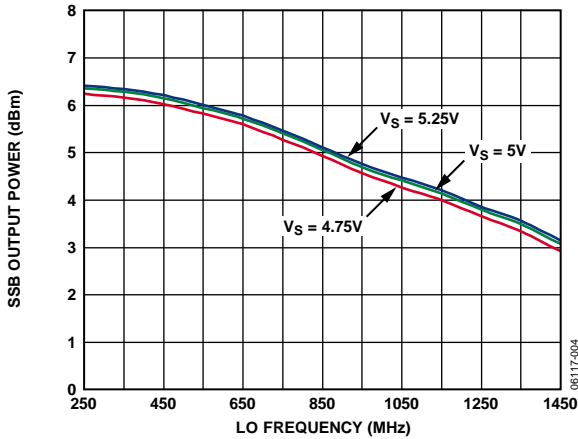


Figure 4. Single Sideband (SSB) Output Power (P_{OUT}) vs. LO Frequency (f_{LO}) and Supply

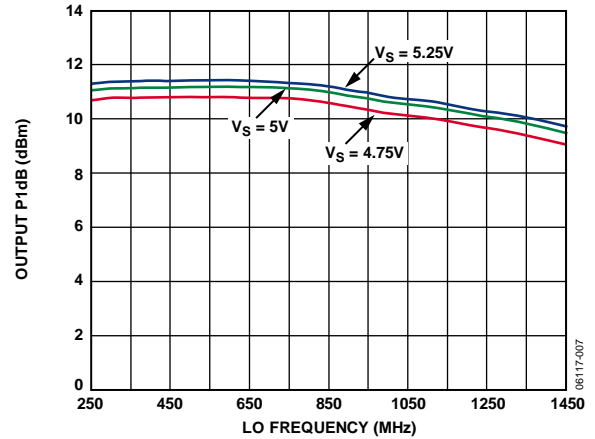


Figure 7. SSB Output 1 dB Compression Point ($OP1dB$) vs. f_{LO} and Supply

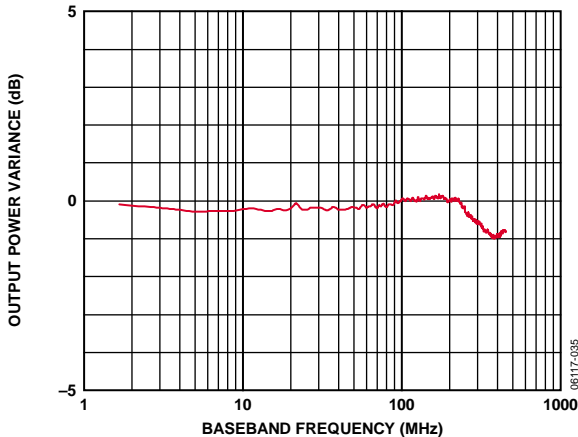


Figure 5. I and Q Input Bandwidth Normalized to Gain @ 1 MHz ($f_{LO} = 500\text{ MHz}$)

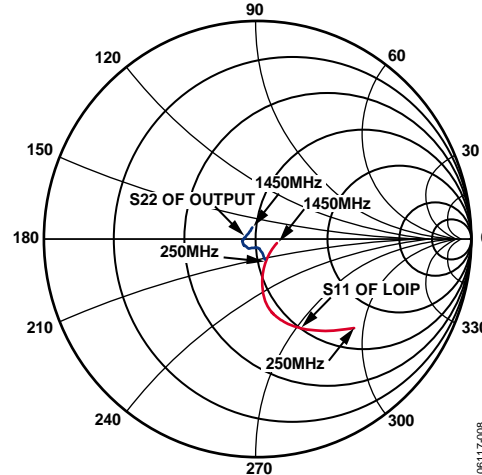


Figure 8. Smith Chart of LOIP S11 and VOUT S22. (f_{LO} from 250 MHz to 1450 MHz)

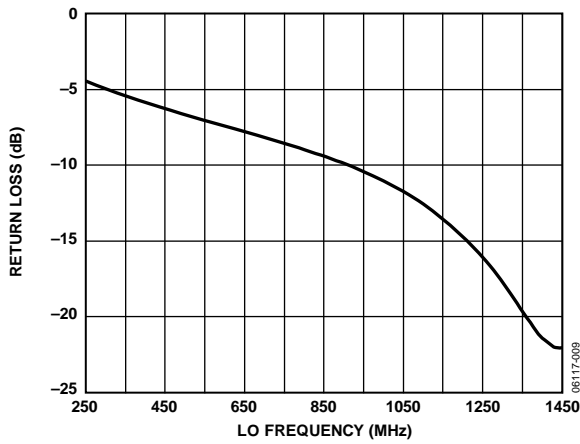


Figure 9. Return Loss (S11) of LOIP

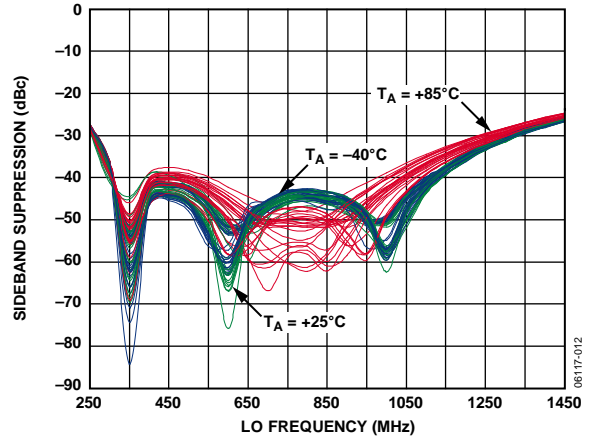


Figure 12. Sideband Suppression vs. f_{LO} and Temperature
Multiple Devices Shown

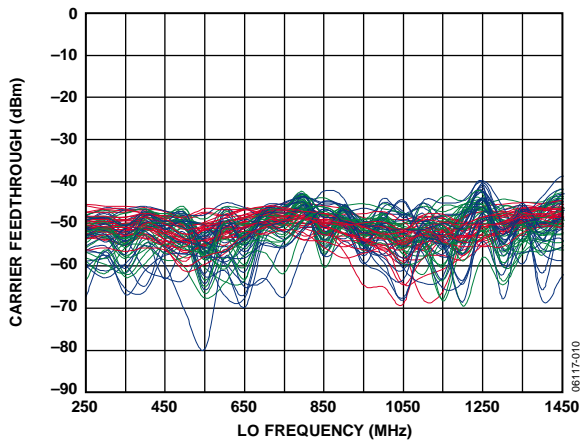


Figure 10. Carrier Feedthrough vs. f_{LO} and Temperature
Multiple Devices Shown

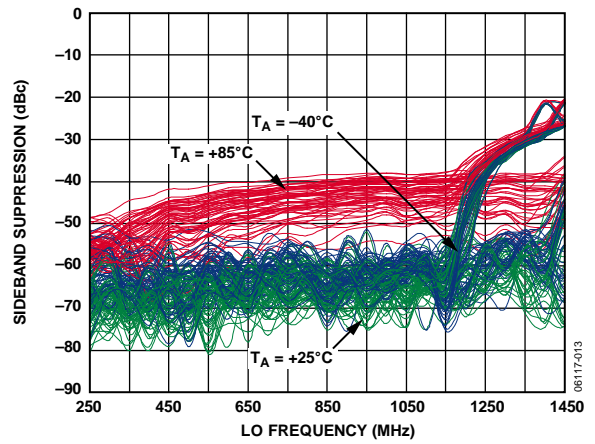


Figure 13. Sideband Suppression vs. f_{LO} and Temperature after Nulling at 25°C
Multiple Devices Shown

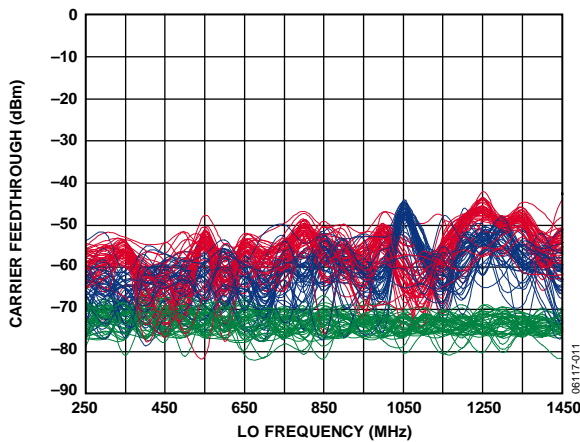


Figure 11. Carrier Feedthrough vs. f_{LO} and Temperature after Nulling at 25°C
Multiple Devices Shown

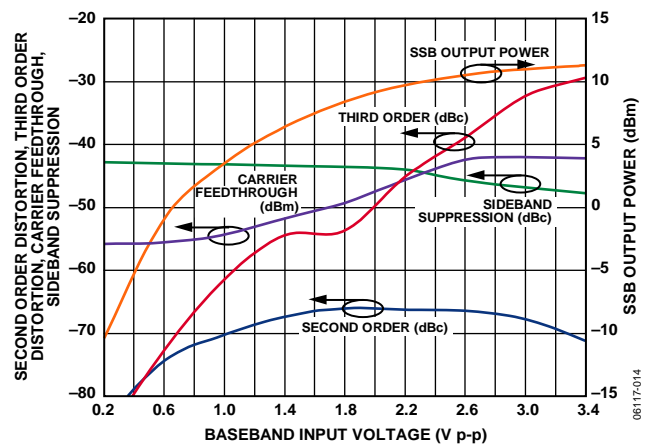


Figure 14. Second- and Third-Order Distortion, Carrier Feedthrough, Sideband Suppression, and SSB P_{OUT} vs. Baseband Differential Input Level ($f_{LO} = 450$ MHz)

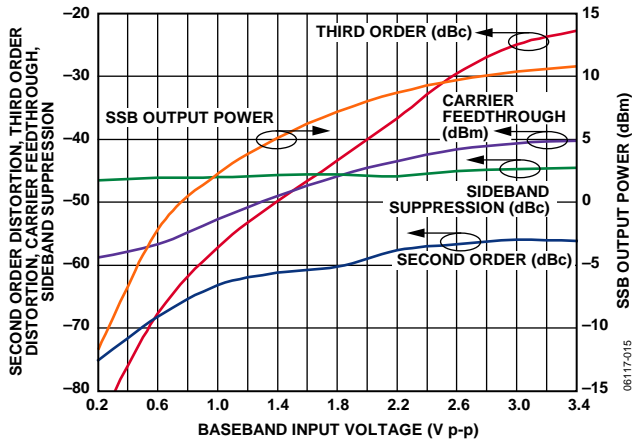


Figure 15. Second- and Third-Order Distortion, Carrier Feedthrough, Sideband Suppression, and SSB P_{OUT} vs. Baseband Differential Input Level ($f_{LO} = 900$ MHz)

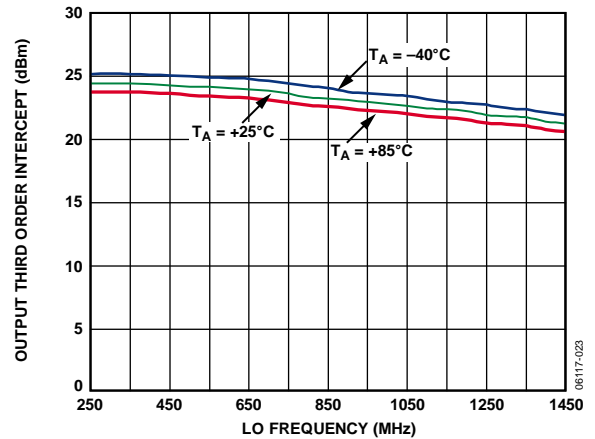


Figure 18. OIP3 vs. Frequency and Temperature

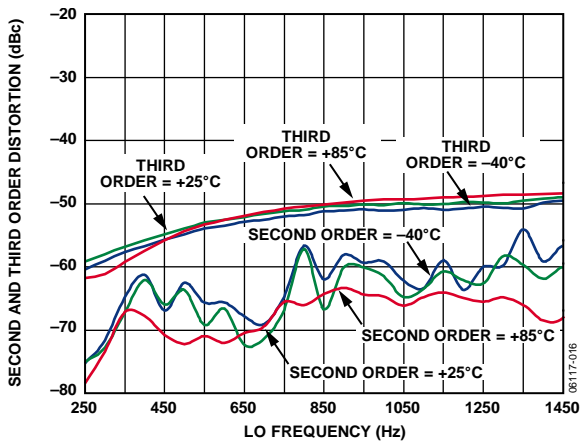


Figure 16. Second- and Third-Order Distortion vs. f_{LO} and Temperature (Baseband I/Q Amplitude = 1.4 V p-p differential)

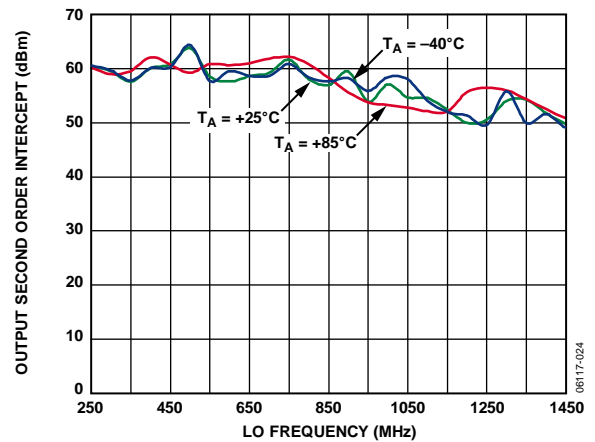


Figure 19. OIP2 vs. Frequency and Temperature

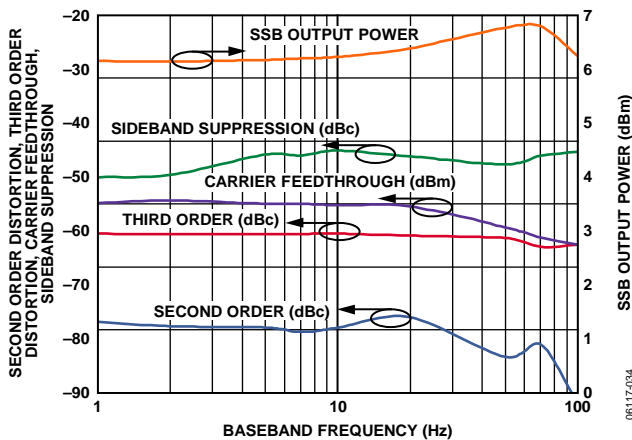


Figure 17. Second- and Third-Order Distortion, Carrier Feedthrough, Sideband Suppression, and SSB P_{OUT} vs. f_{BB} and Temperature ($f_{LO} = 450$ MHz)

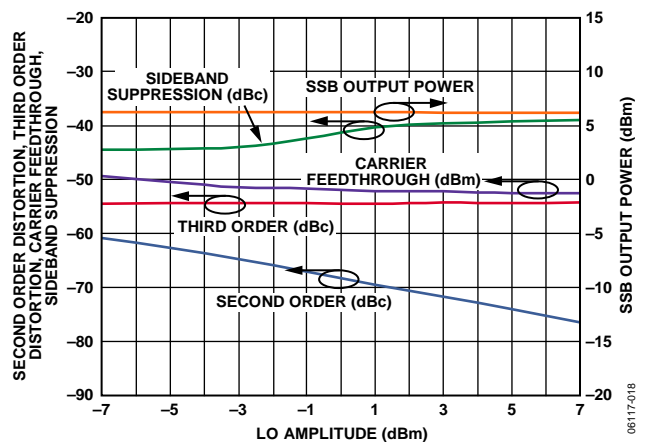


Figure 20. Second- and Third-Order Distortion, Carrier Feedthrough, Sideband Suppression, and SSB P_{OUT} vs. LO Amplitude ($f_{LO} = 450$ MHz)

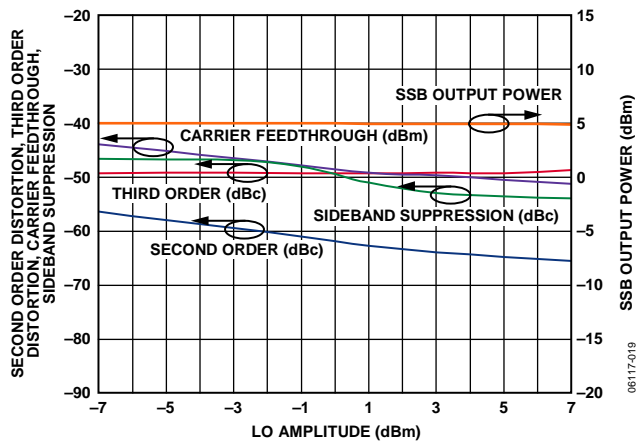


Figure 21. Second- and Third-Order Distortion, Carrier Feedthrough, Sideband Suppression, and SSB P_{OUT} vs. LO Amplitude ($f_{LO} = 900$ MHz)

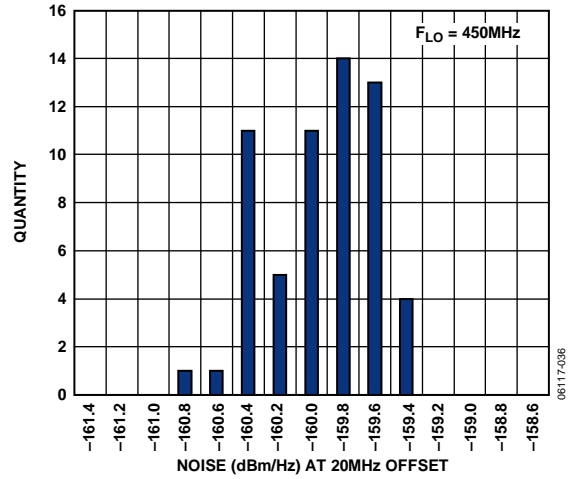


Figure 23. 20 MHz Offset Noise Floor Distribution at $f_{LO} = 450$ MHz (I/Q Amplitude = 0 mV p-p with 500 mV dc bias)

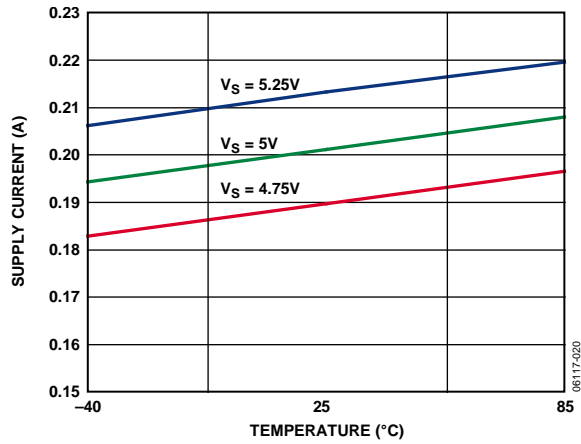


Figure 22. Power Supply Current vs. Temperature

THEORY OF OPERATION

CIRCUIT DESCRIPTION

Overview

The ADL5370 can be divided into five circuit blocks: the local oscillator (LO) interface, the baseband voltage-to-current (V-to-I) converter, the mixers, the differential-to-single-ended (D-to-S) amplifier, and the bias circuit. A detailed block diagram of the device is shown in Figure 24.

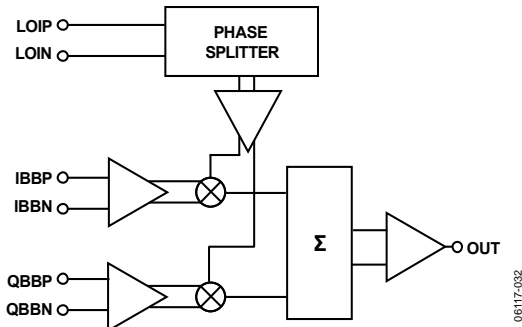


Figure 24. Block Diagram

The LO interface generates two LO signals in quadrature. These signals are used to drive the mixers. The I and Q baseband input signals are converted to currents by the V-to-I stages, which then drive the two mixers. The outputs of these mixers combine to feed the differential-to-single-ended amplifier, which provides a $50\ \Omega$ output interface. The bias cell generates reference currents for the V-to-I stage and the D-to-S amplifier.

LO Interface

The LO interface consists of a polyphase quadrature splitter followed by a limiting amplifier. The LO input impedance is set by the polyphase. The LO can be driven either single-ended or differentially. When driven single-ended, the LOIN pin should be ac-grounded via a capacitor. Each quadrature LO signal then passes through a limiting amplifier that provides the mixer with a limited drive signal.

V-to-I Converter

The differential baseband inputs (QBBP, QBBN, IBBP, IBBN) consist of the bases of PNP transistors, which present a high impedance. The voltages applied to these pins drive the V-to-I stage that converts baseband voltages into currents. The differential output currents of the V-to-I stages feed each of their respective Gilbert-cell mixers. The dc common-mode voltage at the baseband inputs sets the currents in the two mixer cores. Varying the baseband common-mode voltage varies the current in the mixer and affects overall modulator performance. The recommended dc voltage for the baseband common-mode voltage is 500 mV dc.

Mixers

The ADL5370 has two double-balanced mixers: one for the in-phase channel (I channel) and one for the quadrature channel (Q channel). Both mixers are based on the Gilbert-cell design of four cross-connected transistors. The output currents from the two mixers sum together into a load. The signal developed across this load is used to drive the D-to-S amplifier.

D-to-S Amplifier

The output D-to-S amplifier consists of a totem pole output stage. The $50\ \Omega$ output impedance is established by an on-chip resistor. The D-to-S output is internally dc-biased and should be ac-coupled at its output (VOUT).

Bias Circuit

An on-chip band gap reference circuit is used to generate a proportional-to-absolute temperature (PTAT) reference current for the V-to-I stage and a temperature independent current for the D-to-S output stage.

BASIC CONNECTIONS

Figure 25 shows the basic connections for the [ADL5370](#).

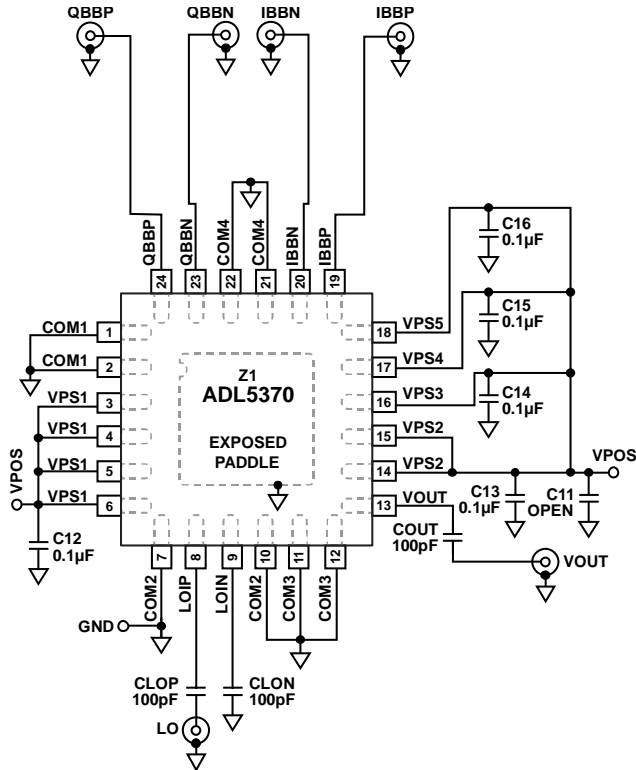


Figure 25. Basic Connections for the [ADL5370](#)

Power Supply and Grounding

All the VPS pins must be connected to the same 5 V source. Adjacent pins of the same name can be tied together and decoupled with a 0.1 μF capacitor. These capacitors should be located as close as possible to the device. The power supply can range between 4.75 V and 5.25 V.

The COM1 pin, COM2 pin, COM3 pin, and COM4 pin should be tied to the same ground plane through low impedance paths. The exposed paddle on the underside of the package should also be soldered to a low thermal and electrical impedance ground plane. If the ground plane spans multiple layers on the circuit board, they should be stitched together with nine vias under the exposed paddle. The Analog Devices application note, [AN-772](#), discusses the thermal and electrical grounding of the LFCSP in detail.

Baseband Inputs

The baseband inputs QBBP, QBBN, IBBP, and IBBN must be driven from a differential source. The nominal drive level of 1.4 V p-p differential (700 mV p-p on each pin) should be biased to a common-mode level of 500 mV dc.

The dc common-mode bias level for the baseband inputs may range from 400 mV to 600 mV. This results in a reduction in the usable input ac swing range. The nominal dc bias of 500 mV allows for the largest ac swing, limited on the bottom end by the [ADL5370](#) input range and on the top end by the output compliance range on most digital-to-analog converters (DAC) from Analog Devices.

LO Input

A single-ended LO signal should be applied to the LOIP pin through an ac-coupling capacitor. The recommended LO drive power is 0 dBm. The LO return pin, LOIN, should be ac-coupled to ground through a low impedance path.

The nominal LO drive of 0 dBm can be increased to up to 7 dBm to realize an improvement in the noise performance of the modulator. This improvement is tempered by degradation in the sideband suppression performance (see Figure 20) and, therefore, should be used judiciously. If the LO source cannot provide the 0 dBm level, then operation at a reduced power below 0 dBm is acceptable. Reduced LO drive results in slightly increased modulator noise. The effect of LO power on sideband suppression and carrier feedthrough is shown in Figure 20. The effect of LO power on GSM noise is shown in Figure 35.

RF Output

The RF output is available at the VOUT pin (Pin 13). This pin must also be ac-coupled. The VOUT pin has a nominal broadband impedance of 50 Ω and does not need further external matching.

06117-033

OPTIMIZATION

The carrier feedthrough and sideband suppression performance of the ADL5370 can be improved through the use of optimization techniques.

Carrier Feedthrough Nulling

Carrier feedthrough results from minute dc offsets that occur between each of the differential baseband inputs. In an ideal modulator the quantities ($V_{IOPP} - V_{IOPN}$) and ($V_{QOPP} - V_{QOPN}$) are equal to zero, and this results in no carrier feedthrough. In a real modulator, those two quantities are nonzero; and, when mixed with the LO, they result in a finite amount of carrier feedthrough. The ADL5370 is designed to provide a minimal amount of carrier feedthrough. Should even lower carrier feedthrough levels be required, minor adjustments can be made to the ($V_{IOPP} - V_{IOPN}$) and ($V_{QOPP} - V_{QOPN}$) offsets. The I-channel offset is held constant while the Q-channel offset is varied, until a minimum carrier feedthrough level is obtained. The Q-channel offset required to achieve this minimum is held constant while the offset on the I-channel is adjusted, until a new minimum is reached. Through two iterations of this process, the carrier feedthrough can be reduced to as low as the output noise. The ability to null is sometimes limited by the resolution of the offset adjustment. Figure 26 shows the relationship of carrier feedthrough vs. dc offset as null.

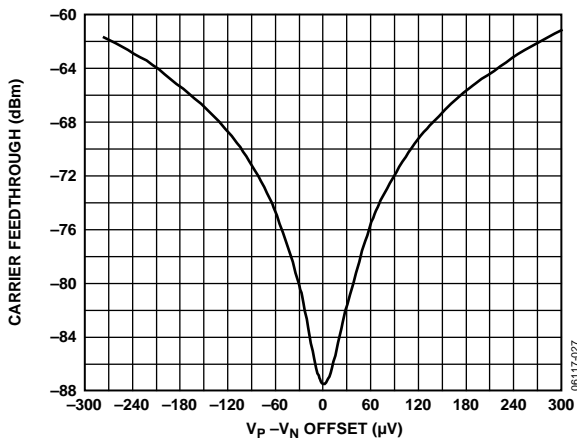


Figure 26. Carrier Feedthrough vs. DC Offset Voltage at 450 MHz

Note that throughout the nulling process, the dc bias for the baseband inputs remains at 500 mV. When no offset is applied

$$V_{IOPP} = V_{IOPN} = 500 \text{ mV, or}$$

$$V_{IOPP} - V_{IOPN} = V_{IOS} = 0 \text{ V}$$

When an offset of + V_{IOS} is applied to the I-channel inputs

$$V_{IOPP} = 500 \text{ mV} + V_{IOS}/2, \text{ and}$$

$$V_{IOPN} = 500 \text{ mV} - V_{IOS}/2, \text{ such that}$$

$$V_{IOPP} - V_{IOPN} = V_{IOS}$$

The same applies to the Q channel.

It is often desirable to perform a one-time carrier null calibration. This is usually performed at a single frequency. Figure 27 shows how carrier feedthrough varies with LO frequency over a range of ± 50 MHz on either side of a null at 450 MHz.

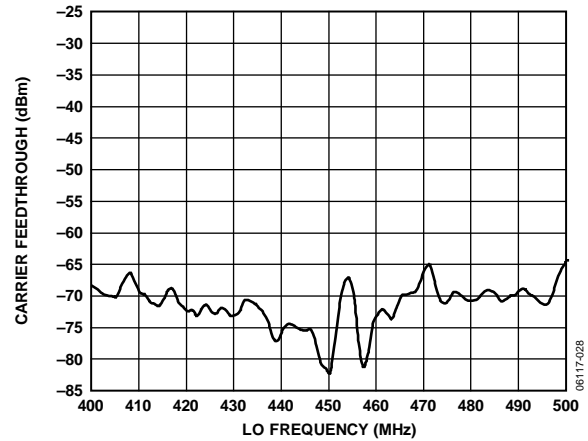


Figure 27. Carrier Feedthrough vs. Frequency After Nulling at 450 MHz

Sideband Suppression Optimization

Sideband suppression results from relative gain and relative phase offsets between the I and Q channels and can be suppressed through adjustments to those two parameters. Figure 28 illustrates how sideband suppression is affected by the gain and phase imbalances.

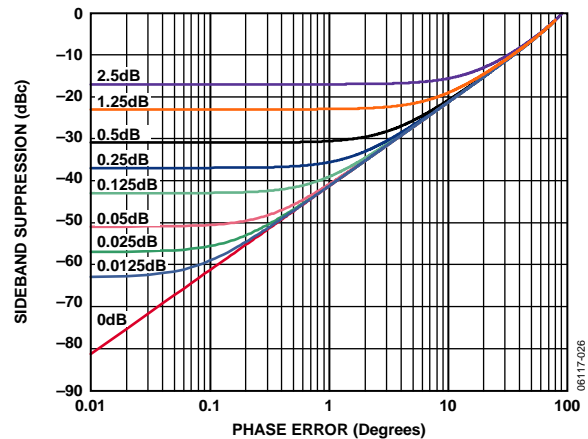


Figure 28. Sideband Suppression vs. Quadrature Phase Error for Various Quadrature Amplitude Offsets

Figure 28 underlines the fact that adjusting only one parameter improves the sideband suppression only to a point, unless the other parameter is also adjusted. For example, if the amplitude offset is 0.25 dB, improving the phase imbalance better than 1° does not yield any improvement in the sideband suppression. For optimum sideband suppression, an iterative adjustment between phase and amplitude is required.

The sideband suppression nulling can be performed either through adjusting the gain for each channel or through the modification of the phase and gain of the digital data coming from the digital signal processor.

APPLICATIONS INFORMATION

DAC MODULATOR INTERFACING

The **ADL5370** is designed to interface with minimal components to members of the Analog Devices family of DACs. These DACs feature an output current swing from 0 to 20 mA, and the interface described in this section can be used with any DAC that has a similar output.

Driving the **ADL5370** with an Analog Devices TxDAC®

An example of the interface using the **AD9779** TxDAC is shown in Figure 31. The baseband inputs of the **ADL5370** require a dc bias of 500 mV. The average output current on each of the outputs of the **AD9779** is 10 mA. Therefore, a single 50 Ω resistor to ground from each of the DAC outputs results in an average current of 10 mA flowing through each of the resistors, thus producing the desired 500 mV dc bias for the inputs to the **ADL5370**.

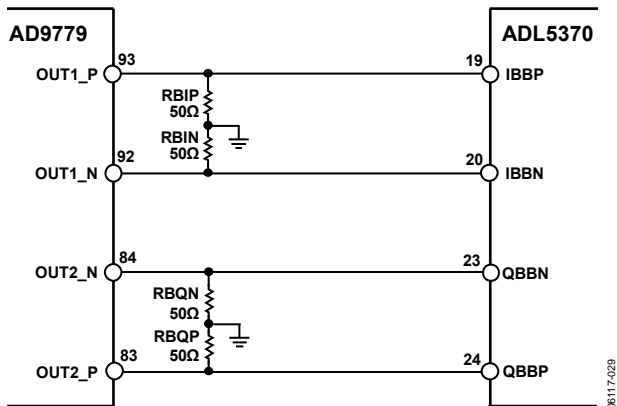


Figure 29. Interface Between the **AD9779** and **ADL5370** with 50 Ω Resistors to Ground to Establish the 500 mV DC Bias for the **ADL5370** Baseband Inputs

The **AD9779** output currents have a swing that ranges from 0 mA to 20 mA. With the 50 Ω resistors in place, the ac voltage swing going into the **ADL5370** baseband inputs ranges from 0 V to 1 V. A full-scale sine wave out of the **AD9779** can be described as a 1 V p-p single-ended (or 2 V p-p differential) sine wave with a 500 mV dc bias.

LIMITING THE AC SWING

There are situations in which it is desirable to reduce the ac voltage swing for a given DAC output current. This can be achieved through the addition of another resistor to the interface. This resistor is placed in shunt between each side of the differential pair, as shown in Figure 30. It has the effect of reducing the ac swing without changing the dc bias already established by the 50 Ω resistors.

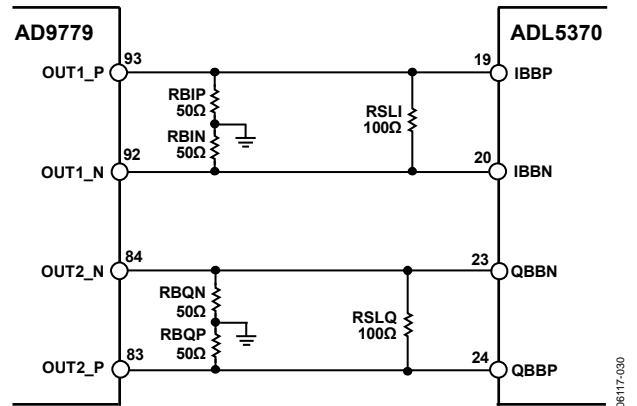


Figure 30. AC Voltage Swing Reduction Through the Introduction of a Shunt Resistor Between Differential Pair

The value of this ac voltage swing limiting resistor is chosen based on the desired ac voltage swing. Figure 31 shows the relationship between the swing-limiting resistor and the peak-to-peak ac swing that it produces when 50 Ω bias-setting resistors are used.

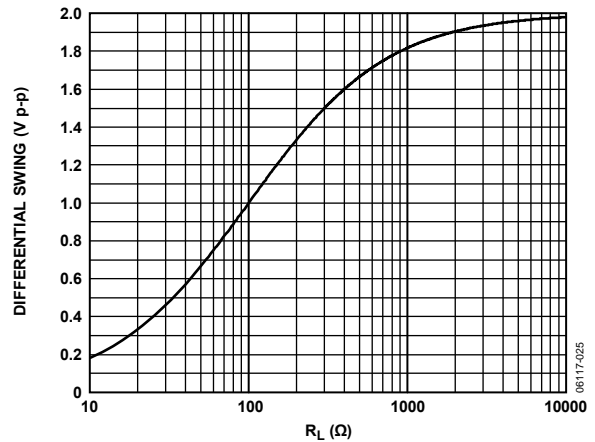


Figure 31. Relationship Between the AC Swing-Limiting Resistor and the Peak-to-Peak Voltage Swing with 50 Ω Bias-Setting Resistors

FILTERING

It is necessary to low-pass filter the DAC outputs to remove images when driving a modulator. The interface for setting up the biasing and ac swing that was discussed in the Limiting the AC Swing section lends itself well to the introduction of such a filter. The filter can be inserted between the dc bias setting resistors and the ac swing-limiting resistor. Doing so establishes the input and output impedances for the filter.

An example is shown in Figure 32 with a third-order elliptical filter with a 3 dB frequency of 3 MHz. Matching input and output impedances makes the filter design easier, so the shunt resistor chosen is 100 Ω, producing an ac swing of 1 V p-p differential.

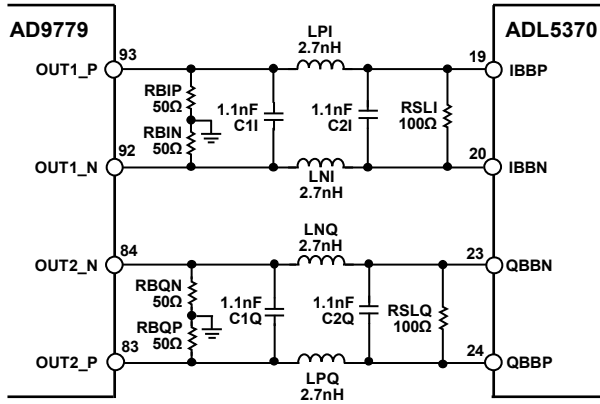


Figure 32. DAC Modulator Interface with 3 MHz Third-Order Low-Pass Filter

USING THE AD9779 AUXILIARY DAC FOR CARRIER FEEDTHROUGH NULLING

The AD9779 features an auxiliary DAC that can be used to inject small currents into the differential outputs for each main DAC channel. This feature can be used to produce the small offset voltages necessary to null out the carrier feedthrough from the modulator. Figure 33 shows the interface required to utilize the auxiliary DACs. This adds four resistors to the interface.

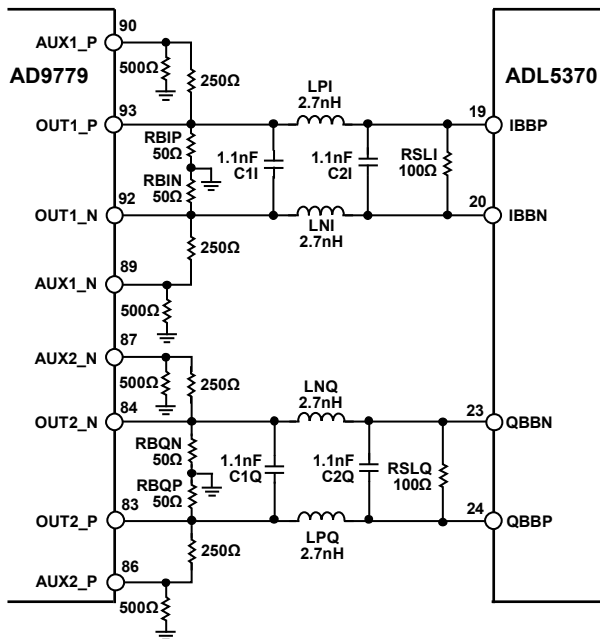


Figure 33. DAC Modulator Interface with Auxiliary DAC Resistors

GSM OPERATION

Figure 34 shows the GSM EVM and spectral mask performance vs. output power for the ADL5370 at 450 MHz. For a given LO amplitude, the performance is independent of output power.

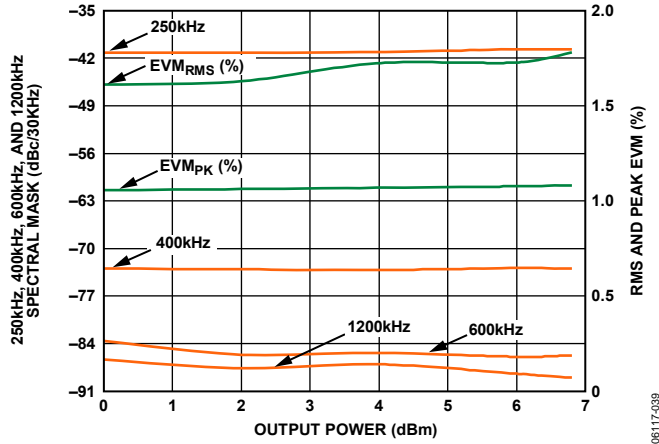


Figure 34. GSM EVM and Spectral Performance vs. Channel Power at 450 MHz vs. Output Power; LO Power = 0 dBm

Figure 35 shows the GSM EVM, spectral mask performance and 6 MHz offset noise vs. LO amplitude at 450 MHz with an output power of 6 dBm. Increasing the LO drive level improves the noise performance but degrades EVM performance.

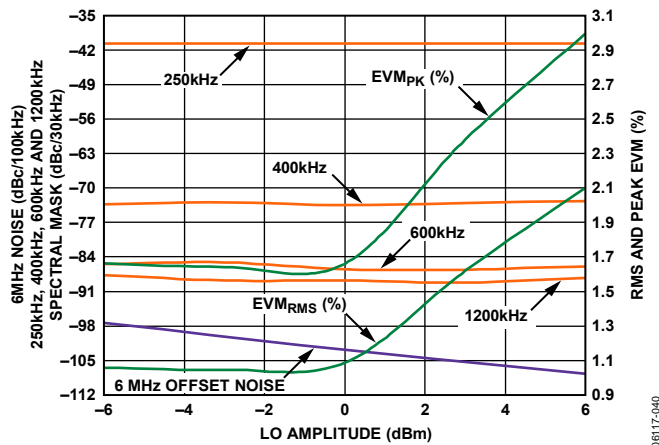


Figure 35. GSM EVM, Spectral Performance, and 6 MHz Noise Floor vs. LO Power at 450 MHz; Output Power = 6 dBm

Figure 35 illustrates that an LO amplitude of 0 dBm provides the ideal operating point for noise and EVM for a GSM signal at 450 MHz.

LO GENERATION USING PLLS

Analog Devices has a line of PLLs that can be used for generating the LO signal. Table 4 lists the PLLs together with their maximum frequency and phase noise performance.

Table 4. ADI PLL Selection Table

Part	Frequency F_{IN} (MHz)	Phase Noise @ 1 kHz Offset and 200 kHz PFD (dBc/Hz)
ADF4110	550	-91 @ 540 MHz
ADF4111	1200	-87 @ 900 MHz
ADF4112	3000	-90 @ 900 MHz
ADF4113	4000	-91 @ 900 MHz
ADF4116	550	-89 @ 540 MHz
ADF4117	1200	-87 @ 900 MHz
ADF4118	3000	-90 @ 900 MHz

The [ADF4360-0](#) through the [ADF4360-8](#) (see Table 5 for the full list of devices included in this range) comes as a family of chips, with nine operating frequency ranges. One is chosen, depending on the local oscillator frequency required. While the use of the integrated synthesizer may come at the expense of slightly degraded noise performance from the [ADL5370](#), it can be a cheaper alternative to a separate PLL and VCO solution. Table 5 shows the options available.

Table 5. ADF4360-0 to ADF4360-8 Family Operating Frequencies

Part	Output Frequency Range (MHz)
ADF4360-0	2400 to 2725
ADF4360-1	2050 to 2450
ADF4360-2	1850 to 2170
ADF4360-3	1600 to 1950
ADF4360-4	1450 to 1750
ADF4360-5	1200 to 1400
ADF4360-6	1050 to 1250
ADF4360-7	350 to 1800
ADF4360-8	65 to 400

TRANSMIT DAC OPTIONS

The [AD9779](#) recommended in the previous sections of this data sheet is by no means the only DAC that can be used to drive the [ADL5370](#). There are other appropriate DACs, depending on the level of performance required. Table 6 lists the dual Tx-DACs offered by Analog Devices.

Table 6. Analog Devices Dual Tx—DAC Selection Table

Part	Resolution (Bits)	Update Rate (MSPS Min)
AD9709	8	125
AD9761	10	40
AD9763	10	125
AD9765	12	125
AD9767	14	125
AD9773	12	160
AD9775	14	160
AD9777	16	160
AD9776	12	1000
AD9778	14	1000
AD9779	16	1000

All DACs listed have nominal bias levels of 0.5 V and use the same simple DAC-modulator interface that is shown in Figure 31.

MODULATOR/DEMODULATOR OPTIONS

Table 7 lists other Analog Devices modulators and demodulators.

Table 7. Modulator/Demodulator Options

Part	Modulator/Demodulator	Frequency Range (MHz)	Comments
AD8345	Modulator	140 to 1000	External quadrature
AD8346	Modulator	800 to 2500	
AD8349	Modulator	700 to 2700	
ADL5390	Modulator	20 to 2400	
ADL5385	Modulator	30 to 2200	
ADL5371	Modulator	700 to 1300	
ADL5372	Modulator	1600 to 2400	
ADL5373	Modulator	2300 to 3000	
ADL5375-05/ ADL5375-15	Modulator	400 to 6000	
ADL5386	Modulator	50 to 2200	
AD8347	Demodulator	800 to 2700	
AD8348	Demodulator	50 to 1000	
ADL5380	Demodulator	400 to 6000	
ADL5382	Demodulator	700 to 2700	
ADL5387	Demodulator	30 to 2000	
AD8340	Vector mod	700 to 1000	
AD8341	Vector mod	1500 to 2400	

EVALUATION BOARD

Populated RoHS-compliant evaluation boards are available for evaluation of the ADL5370. The ADL5370 package has an exposed paddle on the underside. This exposed paddle must be soldered to the board (see the Power Supply and Grounding discussion in the Basic Connections section). The evaluation board is designed without any components on the underside so heat can be applied to the underside for easy removal and replacement of the ADL5370.

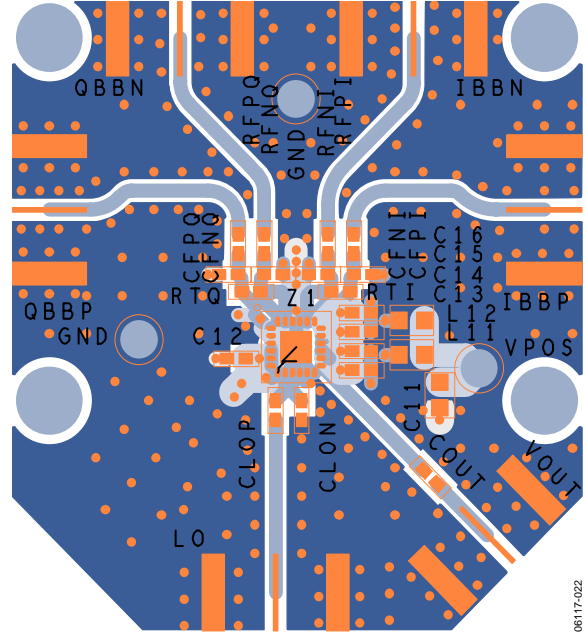


Figure 37. Evaluation Board Layout, Top Layer

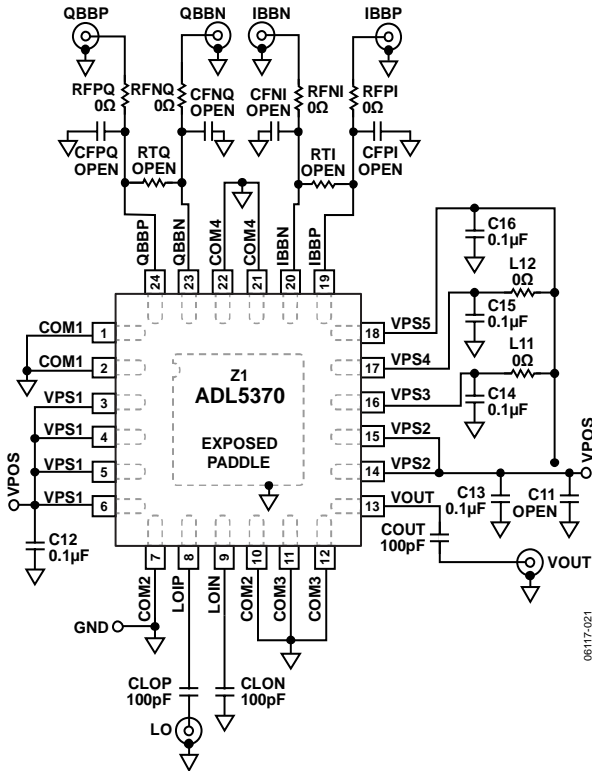


Figure 36. ADL5370 Evaluation Board Schematic

Table 8. Evaluation Board Configuration Options

Component	Description	Default Condition
VPOS, GND	Power Supply and Ground Clip Leads.	Not applicable
RFPI, RFNI, RFQ, RFN, CFPI, CFNI, CFPQ, CFNQ, RTQ, RTI	Baseband Input Filters. These components can be used to implement a low-pass filter for the baseband signals. See the Filtering discussion in the Applications Information section.	RFNQ, RFPQ, RFNI, RFPI = 0 Ω (0402) CFNQ, CFPQ, CFNI, CFPI = Open (0402) RTQ, RTI = Open (0402)

CHARACTERIZATION SETUP

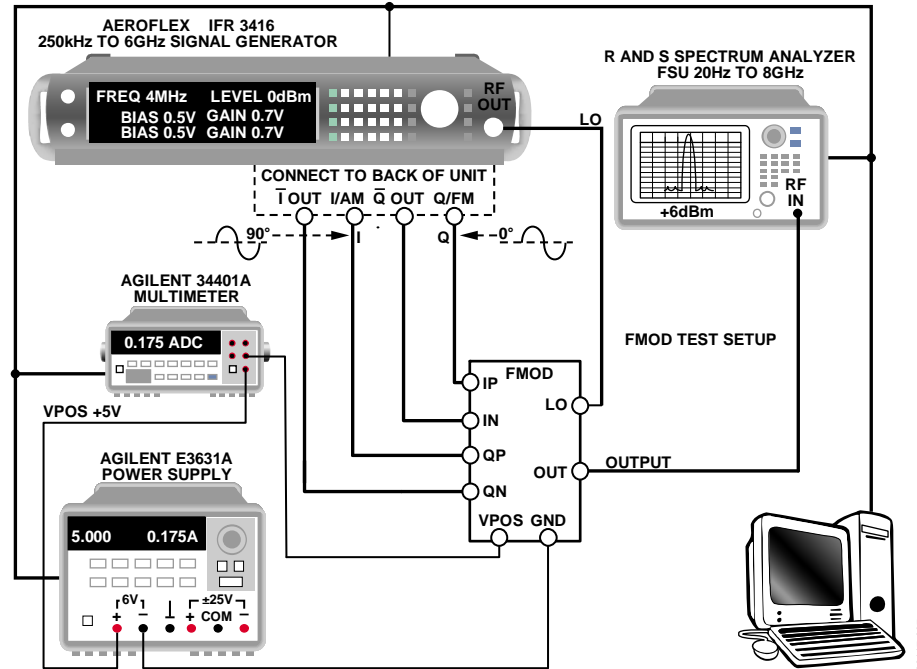


Figure 38. Characterization Bench Setup

The primary setup used to characterize the [ADL5370](#) is shown in Figure 38. This setup was used to evaluate the product as a single-sideband modulator. The Aeroflex signal generator supplied the local oscillator (LO) and differential I and Q baseband signals to the device under test, DUT. The typical LO drive was 0 dBm. The I channel is driven by a sine wave, and the Q channel is driven by a cosine wave. The lower sideband is the single sideband (SSB) output.

The majority of characterization for the [ADL5370](#) was performed using a 1 MHz sine wave signal with a 500 mV common-mode voltage applied to the baseband signals of the DUT. The baseband signal path was calibrated to ensure that the V_{I0S}^1 and V_{Q0S} offsets on the baseband inputs were minimized, as close as possible, to 0 V before connecting to the DUT.

¹ See the Carrier Feedthrough Nulling section for the definitions of V_{I0S} and V_{Q0S} .

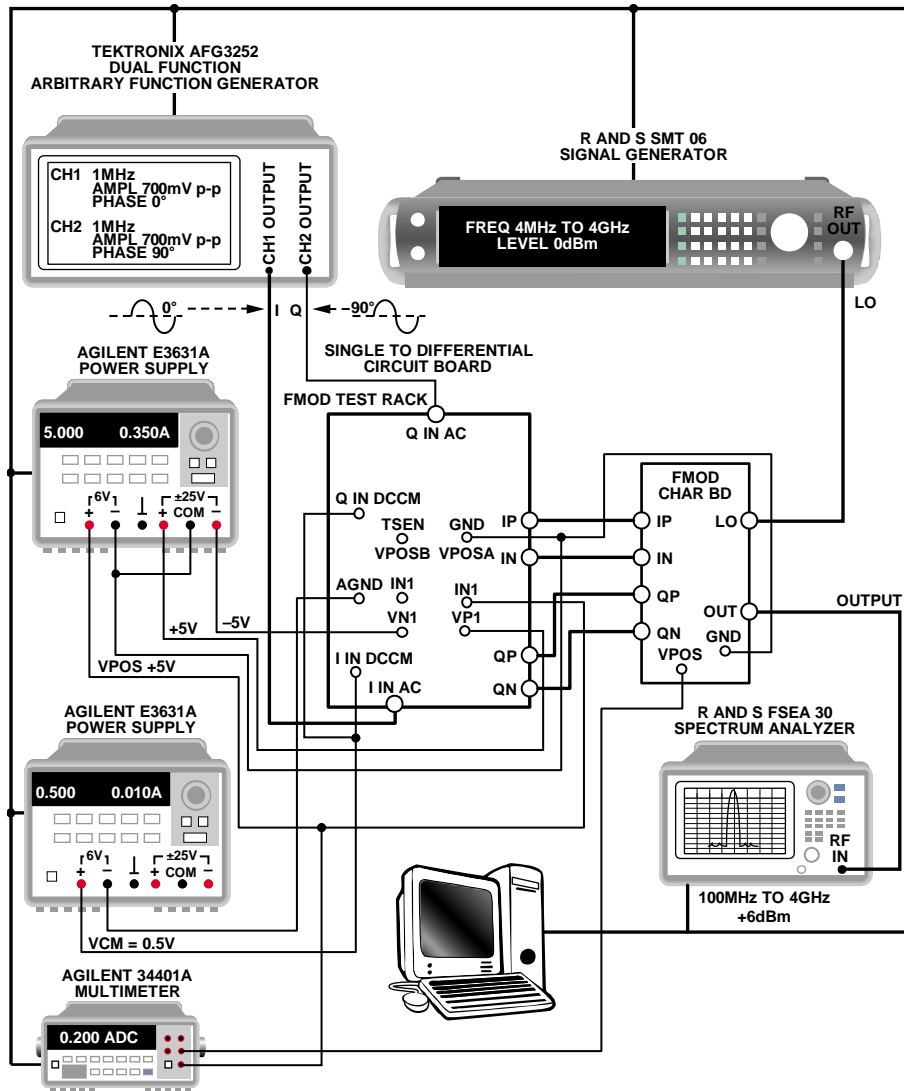
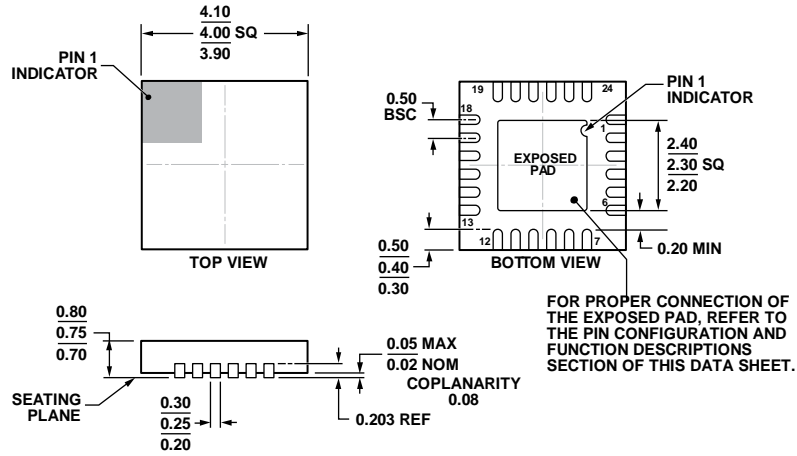


Figure 39. Setup for Baseband Frequency Sweep and Undesired Sideband Nulling

The setup used to evaluate baseband frequency sweep and undesired sideband nulling of the ADL5370 is shown in Figure 39. The interface board has circuitry that converts the single-ended I and Q inputs from the arbitrary function generator to differential I and Q baseband signals with a dc bias of 500 mV.

Undesired sideband nulling was achieved through an iterative process of adjusting amplitude and phase on the Q channel. See Sideband Suppression Optimization in the Optimization section for a more detailed discussion on sideband nulling.

OUTLINE DIMENSIONS



COMPLIANT TO JEDEC STANDARDS MO-220-WGGD-8.

Figure 40. 24-Lead Lead Frame Chip Scale Package [LFCSP]
4 mm × 4 mm Body, and 0.75 mm Package Height
(CP-24-14)
Dimensions shown in millimeters

01-18-2012-A

ORDERING GUIDE

Model ¹	Temperature Range	Package Description	Package Option	Ordering Quantity
ADL5370ACPZ-R7	-40°C to +85°C	24-Lead LFCSP, 7" Tape and Reel	CP-24-14	1,500
ADL5370ACPZ-WP	-40°C to +85°C	24-Lead LFCSP, Waffle Pack	CP-24-14	64
ADL5370-EVALZ		Evaluation Board		

¹ Z = RoHS Compliant Part.

NOTES