

FEATURES

- Wide input voltage range: 4.5 V to 15 V
- ±1.5% output accuracy over full temperature range
- 250 kHz to 1.4 MHz adjustable switching frequency
- Adjustable/fix output options via factory fuse
- Power regulation
 - Channel 1 and Channel 2: programmable 1.2 A/2.5 A/4 A sync buck regulators with low-side FET driver
 - Channel 3 and Channel 4: 1.2 A sync buck regulators
 - Channel 5: 200 mA low dropout (LDO) regulator
- Always alive 5.1 V LDO supply for tiny load demand
- Single 8 A output (Channel 1 and Channel 2 operated in parallel)
- Precision enable with 0.8 V accurate threshold
- Active output discharge switch
- FPWM or automatic PWM/PSM mode selection
- Frequency synchronization input or output
- Optional latch-off protection on OVP/OCP failure
- Power-good flag on selected channels
- UVLO, OCP, and TSD protection
- 48-lead, 7 mm × 7 mm LFCSP package
- −40°C to +125°C junction temperature

APPLICATIONS

- Small cell base stations
- FPGA and processor applications
- Security and surveillance
- Medical applications

GENERAL DESCRIPTION

The ADP5052 combines four high performance buck regulators and one 200 mA low dropout (LDO) regulator in a 48-lead LFCSP package that meets demanding performance and board space requirements. The device enables direct connection to high input voltages up to 15 V with no preregulators.

Channel 1 and Channel 2 integrate high-side power MOSFETs and low-side MOSFET drivers. External NFETs can be used in low-side power devices to achieve an efficiency optimized solution and deliver a programmable output current of 1.2 A, 2.5 A, or 4 A. Combining Channel 1 and Channel 2 in a parallel configuration can provide a single output with up to 8 A of current.

Channel 3 and Channel 4 integrate both high-side and low-side MOSFETs to deliver output current of 1.2 A.

TYPICAL APPLICATION CIRCUIT

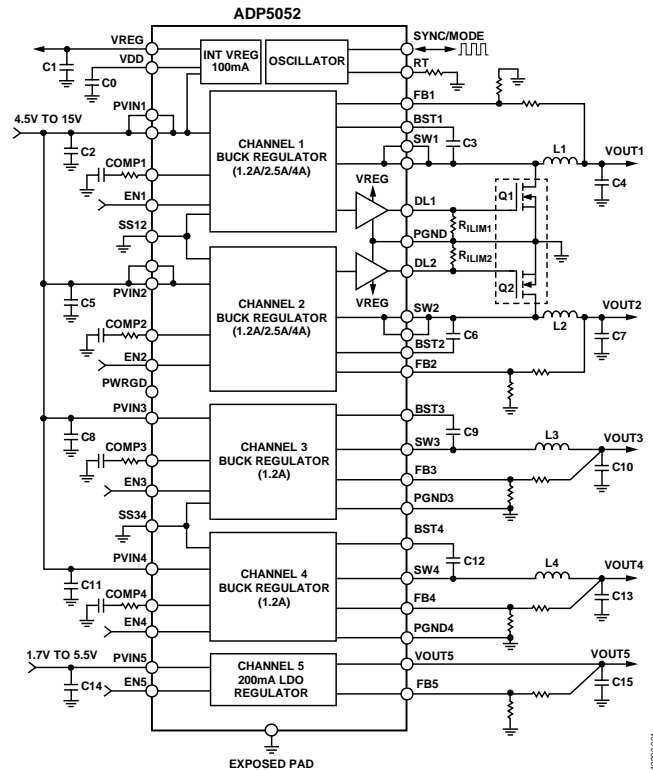


Figure 1.

The switching frequency of the ADP5052 can be programmed or synchronized to an external clock. The ADP5052 contains a precision enable pin on each channel for easy power-up sequencing or adjustable UVLO threshold.

The ADP5052 integrates a general-purpose LDO regulator with low quiescent current and low dropout voltage that provides up to 200 mA of output current.

Table 1. Family Models

| Model | Channels | I ² C | Package |
|---------|-------------------------|------------------|---------------|
| ADP5050 | Four bucks, one LDO | Yes | 48-Lead LFCSP |
| ADP5051 | Four bucks, supervisory | Yes | 48-Lead LFCSP |
| ADP5052 | Four bucks, one LDO | No | 48-Lead LFCSP |
| ADP5053 | Four bucks, supervisory | No | 48-Lead LFCSP |
| ADP5054 | Four high current bucks | No | 48-Lead LFCSP |

ADP5052* PRODUCT PAGE QUICK LINKS

Last Content Update: 07/27/2017

COMPARABLE PARTS

View a parametric search of comparable parts.

EVALUATION KITS

- ADP5052 Evaluation Board

DOCUMENTATION

Data Sheet

- ADP5052: 5-Channel Integrated Power Solution with Quad Buck Regulators and 200 mA LDO Regulator Data Sheet

TOOLS AND SIMULATIONS

- ADIsimPower™ Voltage Regulator Design Tool
- ADP505x Buck Regulator Design Tool

REFERENCE MATERIALS

Press

- Tiny Integrated Solution Powers RF Agile Radio Applications and FPGAs

Solutions Bulletins & Brochures

- Integrated Power Solutions for Altera FPGAs
- Integrated, High Power Solutions for Xilinx FPGAs

DESIGN RESOURCES

- ADP5052 Material Declaration
- PCN-PDN Information
- Quality And Reliability
- Symbols and Footprints

DISCUSSIONS

View all ADP5052 EngineerZone Discussions.

SAMPLE AND BUY

Visit the product page to see pricing options.

TECHNICAL SUPPORT

Submit a technical question or find your regional support number.

DOCUMENT FEEDBACK

Submit feedback for this data sheet.

TABLE OF CONTENTS

| | | | |
|--|----|--|----|
| Features | 1 | Power-Good Function | 22 |
| Applications..... | 1 | Thermal Shutdown | 22 |
| Typical Application Circuit | 1 | LDO Regulator | 22 |
| General Description | 1 | Applications Information | 23 |
| Revision History | 2 | ADIsimPower Design Tool | 23 |
| Detailed Functional Block Diagram | 3 | Programming the Adjustable Output Voltage..... | 23 |
| Specifications..... | 4 | Voltage Conversion Limitations..... | 23 |
| Buck Regulator Specifications | 5 | Current-Limit Setting..... | 23 |
| LDO Regulator Specifications | 7 | Soft Start Setting..... | 24 |
| Absolute Maximum Ratings..... | 8 | Inductor Selection | 24 |
| Thermal Resistance | 8 | Output Capacitor Selection..... | 24 |
| ESD Caution..... | 8 | Input Capacitor Selection..... | 25 |
| Pin Configuration and Function Descriptions..... | 9 | Low-Side Power Device Selection..... | 25 |
| Typical Performance Characteristics | 11 | Programming the UVLO Input..... | 25 |
| Theory of Operation | 17 | Compensation Components Design | 26 |
| Buck Regulator Operational Modes..... | 17 | Power Dissipation..... | 26 |
| Adjustable and Fixed Output Voltages | 17 | Junction Temperature | 27 |
| Internal Regulators (VREG and VDD) | 17 | Design Example | 28 |
| Separate Supply Applications..... | 18 | Setting the Switching Frequency | 28 |
| Low-Side Device Selection | 18 | Setting the Output Voltage..... | 28 |
| Bootstrap Circuitry | 18 | Setting the Current Limit | 28 |
| Active Output Discharge Switch | 18 | Selecting the Inductor..... | 28 |
| Precision Enabling..... | 18 | Selecting the Output Capacitor | 29 |
| Oscillator | 18 | Selecting the Low-Side MOSFET | 29 |
| Synchronization Input/Output | 19 | Designing the Compensation Network..... | 29 |
| Soft Start | 19 | Selecting the Soft Start Time..... | 29 |
| Parallel Operation..... | 20 | Selecting the Input Capacitor | 29 |
| Startup with Precharged Output | 20 | Recommended External Components | 30 |
| Current-Limit Protection..... | 20 | Circuit Board Layout Recommendations | 31 |
| Frequency Foldback | 21 | Typical Application Circuits | 32 |
| Hiccup Protection | 21 | Factory Default Options..... | 35 |
| Latch-Off Protection..... | 21 | Outline Dimensions..... | 36 |
| Undervoltage Lockout (UVLO) | 22 | Ordering Guide | 36 |

REVISION HISTORY

7/2017—Rev. C to Rev. D

| | |
|---|----|
| Changes to Factory Default Options Section..... | 35 |
| Updated Outline Dimensions | 36 |
| Changes to Ordering Guide | 36 |

11/2016—Rev.B to Rev. C

| | |
|--|----|
| Deleted Factory Programmable Options Section and Table 16 to Table 27; Renumbered Sequentially | 35 |
| Changes to Factory Default Options Section..... | 35 |
| Added Endnote 1, Table 16 | 35 |

9/2015—Rev. A to Rev. B

| | |
|--------------------------------------|---|
| Changes to Figure 1 and Table 1..... | 1 |
|--------------------------------------|---|

2/2014—Rev. 0 to Rev. A

| | |
|--|----|
| Added Table 1; Renumbered Sequentially | 1 |
| Changes to Figure 13 and Figure 14..... | 12 |
| Changes to Table 11 | 24 |
| Updated Outline Dimensions..... | 38 |

5/2013—Revision 0: Initial Version

DETAILED FUNCTIONAL BLOCK DIAGRAM

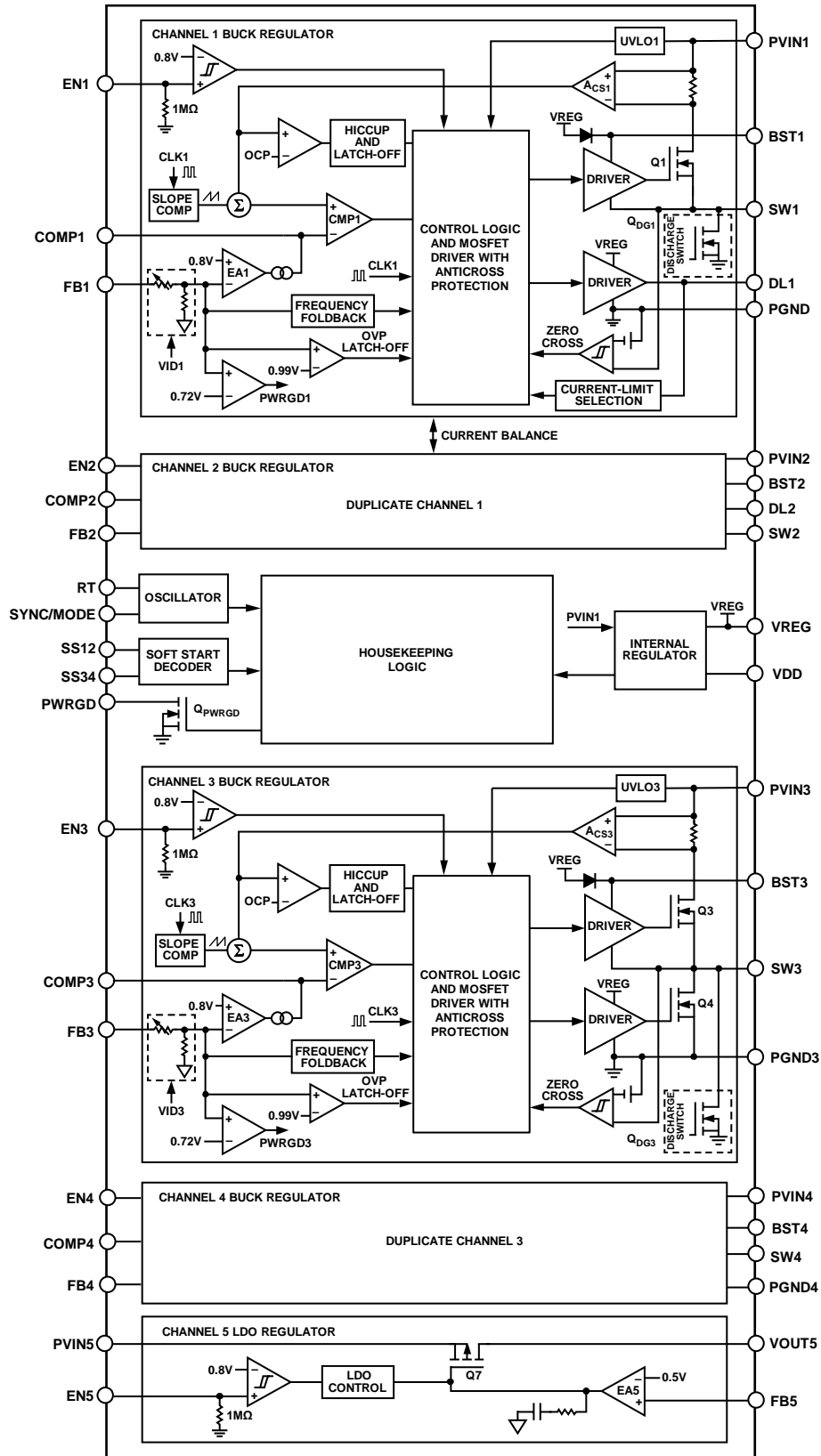


Figure 2.

SPECIFICATIONS

$V_{IN} = 12\text{ V}$, $V_{VREG} = 5.1\text{ V}$, $T_J = -40^\circ\text{C}$ to $+125^\circ\text{C}$ for minimum and maximum specifications, and $T_A = 25^\circ\text{C}$ for typical specifications, unless otherwise noted.

Table 2.

| Parameter | Symbol | Min | Typ | Max | Unit | Test Conditions/Comments |
|--------------------------------------|-------------------------------|-------|------------|-------|------------------|---------------------------------|
| INPUT SUPPLY VOLTAGE RANGE | V_{IN} | 4.5 | | 15.0 | V | PVIN1, PVIN2, PVIN3, PVIN4 pins |
| QUIESCENT CURRENT | | | | | | PVIN1, PVIN2, PVIN3, PVIN4 pins |
| Operating Quiescent Current | $I_{Q(4\text{-BUCKS})}$ | | 4.8 | 6.25 | mA | No switching, all ENx pins high |
| | $I_{SHDN(4\text{BUCKS+LDO})}$ | | 25 | 65 | μA | All ENx pins low |
| UNDERVOLTAGE LOCKOUT | UVLO | | | | | PVIN1, PVIN2, PVIN3, PVIN4 pins |
| Rising Threshold | $V_{UVLO\text{-RISING}}$ | | 4.2 | 4.36 | V | |
| Falling Threshold | $V_{UVLO\text{-FALLING}}$ | 3.6 | 3.78 | | V | |
| Hysteresis | V_{HYS} | | 0.42 | | V | |
| OSCILLATOR CIRCUIT | | | | | | |
| Switching Frequency | f_{SW} | 700 | 740 | 780 | kHz | RT = 25.5 k Ω |
| Switching Frequency Range | | 250 | | 1400 | kHz | |
| SYNC Input | | | | | | |
| Input Clock Range | f_{SYNC} | 250 | | 1400 | kHz | |
| Input Clock Pulse Width | | | | | | |
| Minimum On Time | $t_{SYNC_MIN_ON}$ | 100 | | | ns | |
| Minimum Off Time | $t_{SYNC_MIN_OFF}$ | 100 | | | ns | |
| Input Clock High Voltage | $V_{H(SYNC)}$ | 1.3 | | | V | |
| Input Clock Low Voltage | $V_{L(SYNC)}$ | | | 0.4 | V | |
| SYNC Output | | | | | | |
| Clock Frequency | f_{CLK} | | f_{SW} | | kHz | |
| Positive Pulse Duty Cycle | $t_{CLK_PULSE_DUTY}$ | | 50 | | % | |
| Rise or Fall Time | $t_{CLK_RISE_FALL}$ | | 10 | | ns | |
| High Level Voltage | $V_{H(SYNC_OUT)}$ | | V_{VREG} | | V | |
| PRECISION ENABLING | | | | | | EN1, EN2, EN3, EN4, EN5 pins |
| High Level Threshold | $V_{TH_H(EN)}$ | | 0.806 | 0.832 | V | |
| Low Level Threshold | $V_{TH_L(EN)}$ | 0.688 | 0.725 | | V | |
| Pull-Down Resistor | $R_{PULL\text{-DOWN}(EN)}$ | | 1.0 | | M Ω | |
| POWER GOOD | | | | | | |
| Internal Power-Good Rising Threshold | $V_{PWRGD(RISE)}$ | 86.3 | 90.5 | 95 | % | |
| Internal Power-Good Hysteresis | $V_{PWRGD(HYS)}$ | | 3.3 | | % | |
| Internal Power-Good Falling Delay | t_{PWRGD_FALL} | | 50 | | μs | |
| Rising Delay for PWRGD Pin | $t_{PWRGD_PIN_RISE}$ | | 1 | | ms | |
| Leakage Current for PWRGD Pin | $I_{PWRGD_LEAKAGE}$ | | 0.1 | 1 | μA | |
| Output Low Voltage for PWRGD Pin | V_{PWRGD_LOW} | | 50 | 100 | mV | $I_{PWRGD} = 1\text{ mA}$ |
| INTERNAL REGULATORS | | | | | | |
| VDD Output Voltage | V_{VDD} | 3.2 | 3.305 | 3.4 | V | $I_{VDD} = 10\text{ mA}$ |
| VDD Current Limit | I_{LIM_VDD} | 20 | 51 | 80 | mA | |
| VREG Output Voltage | V_{VREG} | 4.9 | 5.1 | 5.3 | V | |
| VREG Dropout Voltage | $V_{DROPOUT}$ | | 225 | | mV | $I_{VREG} = 50\text{ mA}$ |
| VREG Current Limit | I_{LIM_VREG} | 50 | 95 | 140 | mA | |
| THERMAL SHUTDOWN | | | | | | |
| Thermal Shutdown Threshold | T_{SHDN} | | 150 | | $^\circ\text{C}$ | |
| Thermal Shutdown Hysteresis | T_{HYS} | | 15 | | $^\circ\text{C}$ | |

BUCK REGULATOR SPECIFICATIONS

$V_{IN} = 12\text{ V}$, $V_{VREG} = 5.1\text{ V}$, $f_{SW} = 600\text{ kHz}$ for all channels, $T_J = -40^\circ\text{C}$ to $+125^\circ\text{C}$ for minimum and maximum specifications, and $T_A = 25^\circ\text{C}$ for typical specifications, unless otherwise noted.

Table 3.

| Parameter | Symbol | Min | Typ | Max | Unit | Test Conditions/Comments |
|--|--------------------|-------|---------------------|-------|------------------|--|
| CHANNEL 1 SYNC BUCK REGULATOR | | | | | | |
| FB1 Pin | | | | | | |
| Fixed Output Options | V_{OUT1} | 0.85 | | 1.60 | V | Fuse trim |
| Adjustable Feedback Voltage | V_{FB1} | | 0.800 | | V | |
| Feedback Voltage Accuracy | $V_{FB1(DEFAULT)}$ | -0.55 | | +0.55 | % | $T_J = 25^\circ\text{C}$ |
| | | -1.25 | | +1.0 | % | $0^\circ\text{C} \leq T_J \leq 85^\circ\text{C}$ |
| | | -1.5 | | +1.5 | % | $-40^\circ\text{C} \leq T_J \leq +125^\circ\text{C}$ |
| Feedback Bias Current | I_{FB1} | | | 0.1 | μA | Adjustable voltage |
| SW1 Pin | | | | | | |
| High-Side Power FET On Resistance | $R_{DS(ON)(1H)}$ | | 100 | | $\text{m}\Omega$ | Pin-to-pin measurement |
| Current-Limit Threshold | $I_{TH(LIM1)}$ | 3.50 | 4.4 | 5.28 | A | $R_{ILIM1} = \text{floating}$ |
| | | 1.91 | 2.63 | 3.08 | A | $R_{ILIM1} = 47\text{ k}\Omega$ |
| | | 4.95 | 6.44 | 7.48 | A | $R_{ILIM1} = 22\text{ k}\Omega$ |
| Minimum On Time | t_{MIN_ON1} | | 117 | 155 | ns | $f_{SW} = 250\text{ kHz}$ to 1.4 MHz |
| Minimum Off Time | t_{MIN_OFF1} | | $1/9 \times t_{SW}$ | | ns | $f_{SW} = 250\text{ kHz}$ to 1.4 MHz |
| Low-Side Driver, DL1 Pin | | | | | | |
| Rising Time | $t_{RISING1}$ | | 20 | | ns | $C_{ISS} = 1.2\text{ nF}$ |
| Falling Time | $t_{FALLING1}$ | | 3.4 | | ns | $C_{ISS} = 1.2\text{ nF}$ |
| Sourcing Resistor | $t_{SOURCING1}$ | | 10 | | Ω | |
| Sinking Resistor | $t_{SINKING1}$ | | 0.95 | | Ω | |
| Error Amplifier (EA), COMP1 Pin | | | | | | |
| EA Transconductance | g_{m1} | 310 | 470 | 620 | μS | |
| Soft Start | | | | | | |
| Soft Start Time | t_{SS1} | | 2.0 | | ms | SS12 connected to VREG |
| Programmable Soft Start Range | | 2.0 | | 8.0 | ms | |
| Hiccup Time | t_{HICCU1} | | $7 \times t_{SS1}$ | | ms | |
| C_{OUT} Discharge Switch On Resistance | R_{DIS1} | | 250 | | Ω | |
| CHANNEL 2 SYNC BUCK REGULATOR | | | | | | |
| FB2 Pin | | | | | | |
| Fixed Output Options | V_{OUT2} | 3.3 | | 5.0 | V | Fuse trim |
| Adjustable Feedback Voltage | V_{FB2} | | 0.800 | | V | |
| Feedback Voltage Accuracy | $V_{FB2(DEFAULT)}$ | -0.55 | | +0.55 | % | $T_J = 25^\circ\text{C}$ |
| | | -1.25 | | +1.0 | % | $0^\circ\text{C} \leq T_J \leq 85^\circ\text{C}$ |
| | | -1.5 | | +1.5 | % | $-40^\circ\text{C} \leq T_J \leq +125^\circ\text{C}$ |
| Feedback Bias Current | I_{FB2} | | | 0.1 | μA | Adjustable voltage |
| SW2 Pin | | | | | | |
| High-Side Power FET On Resistance | $R_{DS(ON)(2H)}$ | | 110 | | $\text{m}\Omega$ | Pin-to-pin measurement |
| Current-Limit Threshold | $I_{TH(LIM2)}$ | 3.50 | 4.4 | 5.28 | A | $R_{ILIM2} = \text{floating}$ |
| | | 1.91 | 2.63 | 3.08 | A | $R_{ILIM2} = 47\text{ k}\Omega$ |
| | | 4.95 | 6.44 | 7.48 | A | $R_{ILIM2} = 22\text{ k}\Omega$ |
| Minimum On Time | t_{MIN_ON2} | | 117 | 155 | ns | $f_{SW} = 250\text{ kHz}$ to 1.4 MHz |
| Minimum Off Time | t_{MIN_OFF2} | | $1/9 \times t_{SW}$ | | ns | $f_{SW} = 250\text{ kHz}$ to 1.4 MHz |
| Low-Side Driver, DL2 Pin | | | | | | |
| Rising Time | $t_{RISING2}$ | | 20 | | ns | $C_{ISS} = 1.2\text{ nF}$ |
| Falling Time | $t_{FALLING2}$ | | 3.4 | | ns | $C_{ISS} = 1.2\text{ nF}$ |
| Sourcing Resistor | $t_{SOURCING2}$ | | 10 | | Ω | |
| Sinking Resistor | $t_{SINKING2}$ | | 0.95 | | Ω | |

| Parameter | Symbol | Min | Typ | Max | Unit | Test Conditions/Comments |
|--|--------------------|-------|---------------------|-------|------------------|--|
| Error Amplifier (EA), COMP2 Pin | | | | | | |
| EA Transconductance | g_{m2} | 310 | 470 | 620 | μS | |
| Soft Start | | | | | | |
| Soft Start Time | t_{SS2} | | 2.0 | | ms | SS12 connected to VREG |
| Programmable Soft Start Range | | 2.0 | | 8.0 | ms | |
| Hiccup Time | $t_{HICCUP2}$ | | $7 \times t_{SS2}$ | | ms | |
| C_{OUT} Discharge Switch On Resistance | R_{DIS2} | | 250 | | Ω | |
| CHANNEL 3 SYNC BUCK REGULATOR | | | | | | |
| FB3 Pin | | | | | | |
| Fixed Output Options | V_{OUT3} | 1.20 | | 1.80 | V | Fuse trim |
| Adjustable Feedback Voltage | V_{FB3} | | 0.800 | | V | |
| Feedback Voltage Accuracy | $V_{FB3(DEFAULT)}$ | -0.55 | | +0.55 | % | $T_J = 25^\circ\text{C}$ |
| | | -1.25 | | +1.0 | % | $0^\circ\text{C} \leq T_J \leq 85^\circ\text{C}$ |
| | | -1.5 | | +1.5 | % | $-40^\circ\text{C} \leq T_J \leq +125^\circ\text{C}$ |
| Feedback Bias Current | I_{FB3} | | | 0.1 | μA | Adjustable voltage |
| SW3 Pin | | | | | | |
| High-Side Power FET On Resistance | $R_{DSON(3H)}$ | | 225 | | $\text{m}\Omega$ | Pin-to-pin measurement |
| Low-Side Power FET On Resistance | $R_{DSON(3L)}$ | | 150 | | $\text{m}\Omega$ | Pin-to-pin measurement |
| Current-Limit Threshold | $I_{TH(LIM3)}$ | 1.7 | 2.2 | 2.55 | A | |
| Minimum On Time | t_{MIN_ON3} | | 90 | 120 | ns | $f_{SW} = 250 \text{ kHz to } 1.4 \text{ MHz}$ |
| Minimum Off Time | t_{MIN_OFF3} | | $1/9 \times t_{SW}$ | | ns | $f_{SW} = 250 \text{ kHz to } 1.4 \text{ MHz}$ |
| Error Amplifier (EA), COMP3 Pin | | | | | | |
| EA Transconductance | g_{m3} | 310 | 470 | 620 | μS | |
| Soft Start | | | | | | |
| Soft Start Time | t_{SS3} | | 2.0 | | ms | SS34 connected to VREG |
| Programmable Soft Start Range | | 2.0 | | 8.0 | ms | |
| Hiccup Time | $t_{HICCUP3}$ | | $7 \times t_{SS3}$ | | ms | |
| C_{OUT} Discharge Switch On Resistance | R_{DIS3} | | 250 | | Ω | |
| CHANNEL 4 SYNC BUCK REGULATOR | | | | | | |
| FB4 Pin | | | | | | |
| Fixed Output Options | V_{OUT4} | 2.5 | | 5.5 | V | Fuse trim |
| Adjustable Feedback Voltage | V_{FB4} | | 0.800 | | V | |
| Feedback Voltage Accuracy | $V_{FB4(DEFAULT)}$ | -0.55 | | +0.55 | % | $T_J = 25^\circ\text{C}$ |
| | | -1.25 | | +1.0 | % | $0^\circ\text{C} \leq T_J \leq 85^\circ\text{C}$ |
| | | -1.5 | | +1.5 | % | $-40^\circ\text{C} \leq T_J \leq +125^\circ\text{C}$ |
| Feedback Bias Current | I_{FB4} | | | 0.1 | μA | |
| SW4 Pin | | | | | | |
| High-Side Power FET On Resistance | $R_{DSON(4H)}$ | | 225 | | $\text{m}\Omega$ | Pin-to-pin measurement |
| Low-Side Power FET On Resistance | $R_{DSON(4L)}$ | | 150 | | $\text{m}\Omega$ | Pin-to-pin measurement |
| Current-Limit Threshold | $I_{TH(LIM4)}$ | 1.7 | 2.2 | 2.55 | A | |
| Minimum On Time | t_{MIN_ON4} | | 90 | 120 | ns | $f_{SW} = 250 \text{ kHz to } 1.4 \text{ MHz}$ |
| Minimum Off Time | t_{MIN_OFF4} | | $1/9 \times t_{SW}$ | | ns | $f_{SW} = 250 \text{ kHz to } 1.4 \text{ MHz}$ |
| Error Amplifier (EA), COMP4 Pin | | | | | | |
| EA Transconductance | g_{m4} | 310 | 470 | 620 | μS | |
| Soft Start | | | | | | |
| Soft Start Time | t_{SS4} | | 2.0 | | ms | SS34 connected to VREG |
| Programmable Soft Start Range | | 2.0 | | 8.0 | ms | |
| Hiccup Time | $t_{HICCUP4}$ | | $7 \times t_{SS4}$ | | ms | |
| C_{OUT} Discharge Switch On Resistance | R_{DIS4} | | 250 | | Ω | |

LDO REGULATOR SPECIFICATIONS

$V_{IN5} = (V_{OUT5} + 0.5 \text{ V})$ or 1.7 V (whichever is greater) to 5.5 V; $C_{IN} = C_{OUT} = 1 \mu\text{F}$; $T_J = -40^\circ\text{C}$ to $+125^\circ\text{C}$ for minimum and maximum specifications, and $T_A = 25^\circ\text{C}$ for typical specifications, unless otherwise noted.

Table 4.

| Parameter | Min | Typ | Max | Unit | Test Conditions/Comments |
|--|----------------------|------------------|----------------------|---|---|
| INPUT SUPPLY VOLTAGE RANGE | 1.7 | | 5.5 | V | PVIN5 pin |
| OPERATIONAL SUPPLY CURRENT Bias Current for LDO Regulator | | 30 60 145 | 130 170 320 | μA μA μA | $I_{OUT5} = 200 \mu\text{A}$ $I_{OUT5} = 10 \text{ mA}$ $I_{OUT5} = 200 \text{ mA}$ |
| VOLTAGE FEEDBACK (FB5 PIN) Adjustable Feedback Voltage Feedback Voltage Accuracy | | 0.500 | | V | $T_J = 25^\circ\text{C}$ |
| | -1.0 -1.6 -2.0 | | +1.0 +1.6 +2.0 | % % % | $0^\circ\text{C} \leq T_J \leq 85^\circ\text{C}$ $-40^\circ\text{C} \leq T_J \leq +125^\circ\text{C}$ |
| DROPOUT VOLTAGE | | 80 100 180 | | mV mV mV | $I_{OUT5} = 200 \text{ mA}$ $V_{OUT5} = 3.3 \text{ V}$ $V_{OUT5} = 2.5 \text{ V}$ $V_{OUT5} = 1.5 \text{ V}$ |
| CURRENT-LIMIT THRESHOLD | 250 | 510 | | mA | Specified from the output voltage drop to 90% of the specified typical value |
| OUTPUT NOISE | | 92 | | $\mu\text{V rms}$ | 10 Hz to 100 kHz, $V_{PVIN5} = 5 \text{ V}$, $V_{OUT5} = 1.8 \text{ V}$ |
| POWER SUPPLY REJECTION RATIO | | 77 66 | | dB dB | $V_{PVIN5} = 5 \text{ V}$, $V_{OUT5} = 1.8 \text{ V}$, $I_{OUT5} = 1 \text{ mA}$ 10 kHz 100 kHz |

ABSOLUTE MAXIMUM RATINGS

Table 5.

| Parameter | Rating |
|--|------------------|
| PVIN1 to PGND | −0.3 V to +18 V |
| PVIN2 to PGND | −0.3 V to +18 V |
| PVIN3 to PGND3 | −0.3 V to +18 V |
| PVIN4 to PGND4 | −0.3 V to +18 V |
| PVIN5 to GND | −0.3 V to +6.5 V |
| SW1 to PGND | −0.3 V to +18 V |
| SW2 to PGND | −0.3 V to +18 V |
| SW3 to PGND3 | −0.3 V to +18 V |
| SW4 to PGND4 | −0.3 V to +18 V |
| PGND to GND | −0.3 V to +0.3 V |
| PGND3 to GND | −0.3 V to +0.3 V |
| PGND4 to GND | −0.3 V to +0.3 V |
| BST1 to SW1 | −0.3 V to +6.5 V |
| BST2 to SW2 | −0.3 V to +6.5 V |
| BST3 to SW3 | −0.3 V to +6.5 V |
| BST4 to SW4 | −0.3 V to +6.5 V |
| DL1 to PGND | −0.3 V to +6.5 V |
| DL2 to PGND | −0.3 V to +6.5 V |
| SS12, SS34 to GND | −0.3 V to +6.5 V |
| EN1, EN2, EN3, EN4, EN5 to GND | −0.3 V to +6.5 V |
| VREG to GND | −0.3 V to +6.5 V |
| SYNC/MODE to GND | −0.3 V to +6.5 V |
| VOUT5, FB5 to GND | −0.3 V to +6.5 V |
| RT to GND | −0.3 V to +3.6 V |
| PWRGD to GND | −0.3 V to +6.5 V |
| FB1, FB2, FB3, FB4 to GND ¹ | −0.3 V to +3.6 V |
| FB2 to GND ² | −0.3 V to +6.5 V |
| FB4 to GND ² | −0.3 V to +7 V |
| COMP1, COMP2, COMP3, COMP4 to GND | −0.3 V to +3.6 V |
| VDD to GND | −0.3 V to +3.6 V |
| Storage Temperature Range | −65°C to +150°C |
| Operational Junction Temperature Range | −40°C to +125°C |

¹ This rating applies to the adjustable output voltage models of the [ADP5052](#).

² This rating applies to the fixed output voltage models of the [ADP5052](#).

Stresses at or above those listed under Absolute Maximum Ratings may cause permanent damage to the product. This is a stress rating only; functional operation of the product at these or any other conditions above those indicated in the operational section of this specification is not implied. Operation beyond the maximum operating conditions for extended periods may affect product reliability.

THERMAL RESISTANCE

θ_{JA} is specified for the worst-case conditions, that is, a device soldered in a circuit board for surface-mount packages.

Table 6. Thermal Resistance

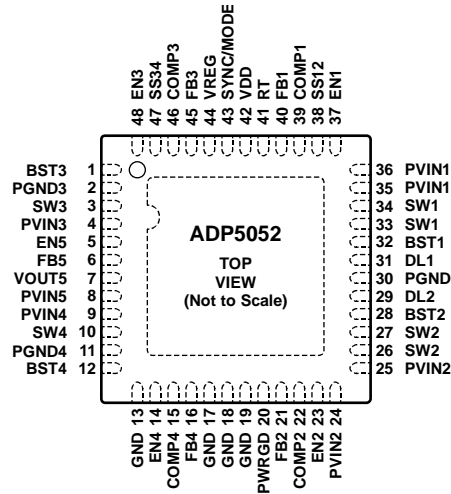
| Package Type | θ_{JA} | θ_{JC} | Unit |
|---------------|---------------|---------------|------|
| 48-Lead LFCSP | 27.87 | 2.99 | °C/W |

ESD CAUTION



ESD (electrostatic discharge) sensitive device. Charged devices and circuit boards can discharge without detection. Although this product features patented or proprietary protection circuitry, damage may occur on devices subjected to high energy ESD. Therefore, proper ESD precautions should be taken to avoid performance degradation or loss of functionality.

PIN CONFIGURATION AND FUNCTION DESCRIPTIONS



NOTES
 1. THE EXPOSED PAD MUST BE CONNECTED AND SOLDERED TO AN EXTERNAL GROUND PLANE.

10800-002

Figure 3. Pin Configuration

Table 7. Pin Function Descriptions

| Pin No. | Mnemonic | Description |
|------------|----------|--|
| 1 | BST3 | High-Side FET Driver Power Supply for Channel 3. |
| 2 | PGND3 | Power Ground for Channel 3. |
| 3 | SW3 | Switching Node Output for Channel 3. |
| 4 | PVIN3 | Power Input for Channel 3. Connect a bypass capacitor between this pin and ground. |
| 5 | EN5 | Enable Input for Channel 5. An external resistor divider can be used to set the turn-on threshold. |
| 6 | FB5 | Feedback Sensing Input for Channel 5. |
| 7 | VOUT5 | Power Output for Channel 5. |
| 8 | PVIN5 | Power Input for Channel 5. Connect a bypass capacitor between this pin and ground. |
| 9 | PVIN4 | Power Input for Channel 4. Connect a bypass capacitor between this pin and ground. |
| 10 | SW4 | Switching Node Output for Channel 4. |
| 11 | PGND4 | Power Ground for Channel 4. |
| 12 | BST4 | High-Side FET Driver Power Supply for Channel 4. |
| 13 | GND | This pin is for internal test purposes. Connect this pin to ground. |
| 14 | EN4 | Enable Input for Channel 4. An external resistor divider can be used to set the turn-on threshold. |
| 15 | COMP4 | Error Amplifier Output for Channel 4. Connect an RC network from this pin to ground. |
| 16 | FB4 | Feedback Sensing Input for Channel 4. |
| 17, 18, 19 | GND | These pins are for internal test purposes. Connect these pins to ground. |
| 20 | PWRGD | Power-Good Signal Output. This open-drain output is the power-good signal for the selected channels. |
| 21 | FB2 | Feedback Sensing Input for Channel 2. |
| 22 | COMP2 | Error Amplifier Output for Channel 2. Connect an RC network from this pin to ground. |
| 23 | EN2 | Enable Input for Channel 2. An external resistor divider can be used to set the turn-on threshold. |
| 24, 25 | PVIN2 | Power Input for Channel 2. Connect a bypass capacitor between this pin and ground. |
| 26, 27 | SW2 | Switching Node Output for Channel 2. |
| 28 | BST2 | High-Side FET Driver Power Supply for Channel 2. |
| 29 | DL2 | Low-Side FET Gate Driver for Channel 2. Connect a resistor from this pin to ground to program the current-limit threshold for Channel 2. |
| 30 | PGND | Power Ground for Channel 1 and Channel 2. |
| 31 | DL1 | Low-Side FET Gate Driver for Channel 1. Connect a resistor from this pin to ground to program the current-limit threshold for Channel 1. |
| 32 | BST1 | High-Side FET Driver Power Supply for Channel 1. |

| Pin No. | Mnemonic | Description |
|---------|-----------|--|
| 33, 34 | SW1 | Switching Node Output for Channel 1. |
| 35, 36 | PVIN1 | Power Input for the Internal 5.1 V VREG Linear Regulator and the Channel 1 Buck Regulator. Connect a bypass capacitor between this pin and ground. |
| 37 | EN1 | Enable Input for Channel 1. An external resistor divider can be used to set the turn-on threshold. |
| 38 | SS12 | Connect a resistor divider from this pin to VREG and ground to configure the soft start time for Channel 1 and Channel 2 (see the Soft Start section). This pin is also used to configure parallel operation of Channel 1 and Channel 2 (see the Parallel Operation section). |
| 39 | COMP1 | Error Amplifier Output for Channel 1. Connect an RC network from this pin to ground. |
| 40 | FB1 | Feedback Sensing Input for Channel 1. |
| 41 | RT | Connect a resistor from RT to ground to program the switching frequency from 250 kHz to 1.4 MHz. For more information, see the Oscillator section. |
| 42 | VDD | Output of the Internal 3.3 V Linear Regulator. Connect a 1 μ F ceramic capacitor between this pin and ground. |
| 43 | SYNC/MODE | Synchronization Input/Output (SYNC). To synchronize the switching frequency of the part to an external clock, connect this pin to an external clock with a frequency from 250 kHz to 1.4 MHz. This pin can also be configured as a synchronization output by factory fuse. Forced PWM or Automatic PWM/PSM Selection Pin (MODE). When this pin is logic high, the part operates in forced PWM (FPWM) mode. When this pin is logic low, the part operates in automatic PWM/PSM mode. |
| 44 | VREG | Output of the Internal 5.1 V Linear Regulator. Connect a 1 μ F ceramic capacitor between this pin and ground. |
| 45 | FB3 | Feedback Sensing Input for Channel 3. |
| 46 | COMP3 | Error Amplifier Output for Channel 3. Connect an RC network from this pin to ground. |
| 47 | SS34 | Connect a resistor divider from this pin to VREG and ground to configure the soft start time for Channel 3 and Channel 4 (see the Soft Start section). |
| 48 | EN3 | Enable Input for Channel 3. An external resistor divider can be used to set the turn-on threshold. |
| | EPAD | Exposed Pad (Analog Ground). The exposed pad must be connected and soldered to an external ground plane. |

TYPICAL PERFORMANCE CHARACTERISTICS

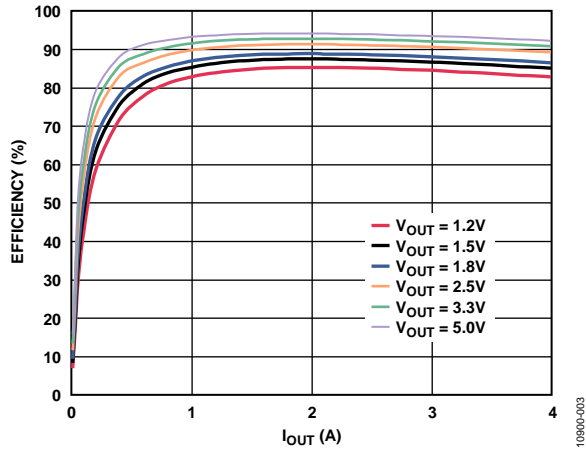


Figure 4. Channel 1/Channel 2 Efficiency Curve, $V_{IN} = 12\text{ V}$, $f_{SW} = 600\text{ kHz}$, FPWM Mode

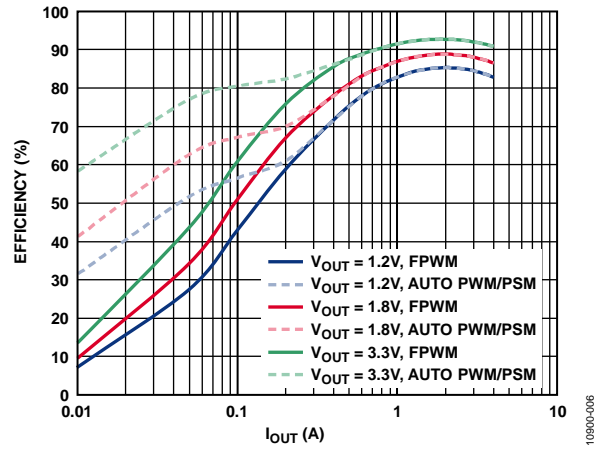


Figure 7. Channel 1/Channel 2 Efficiency Curve, $V_{IN} = 12\text{ V}$, $f_{SW} = 600\text{ kHz}$, FPWM and Automatic PWM/PSM Modes

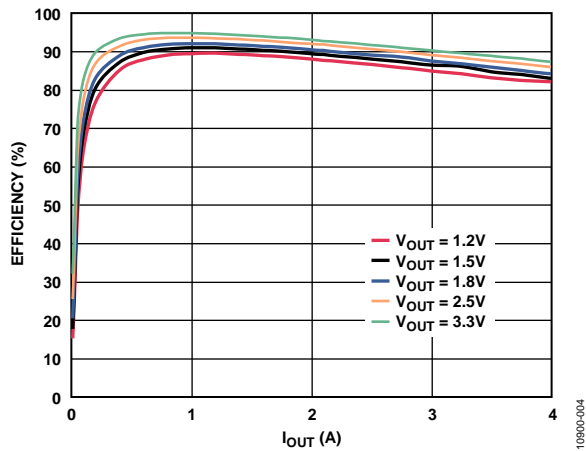


Figure 5. Channel 1/Channel 2 Efficiency Curve, $V_{IN} = 5.0\text{ V}$, $f_{SW} = 600\text{ kHz}$, FPWM Mode

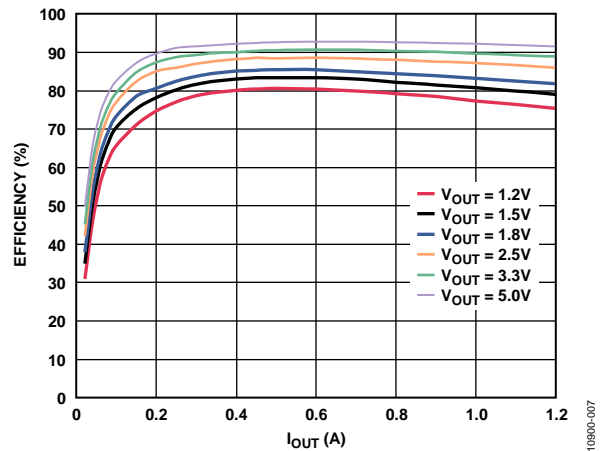


Figure 8. Channel 3/Channel 4 Efficiency Curve, $V_{IN} = 12\text{ V}$, $f_{SW} = 600\text{ kHz}$, FPWM Mode

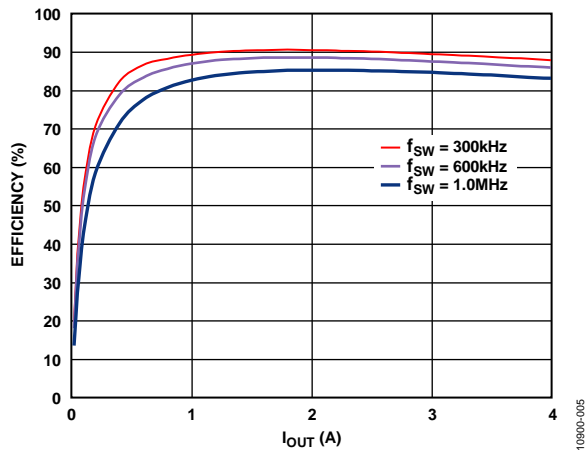


Figure 6. Channel 1/Channel 2 Efficiency Curve, $V_{IN} = 12\text{ V}$, $V_{OUT} = 1.8\text{ V}$, FPWM Mode

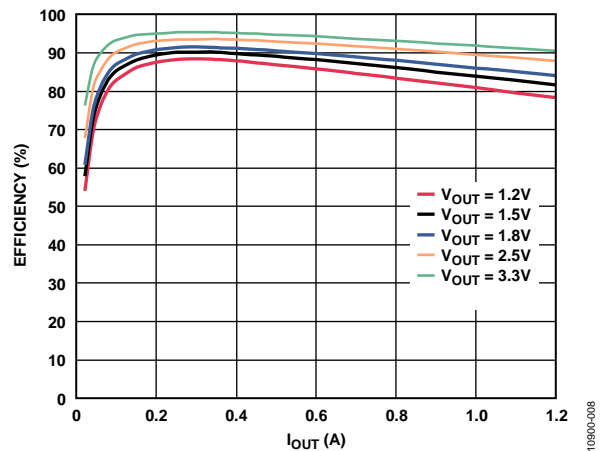


Figure 9. Channel 3/Channel 4 Efficiency Curve, $V_{IN} = 5.0\text{ V}$, $f_{SW} = 600\text{ kHz}$, FPWM Mode

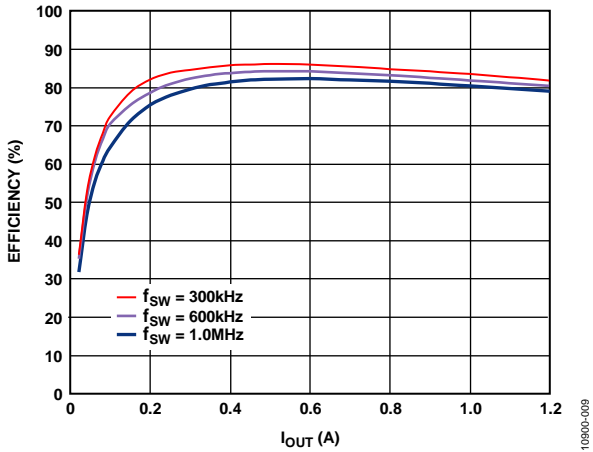


Figure 10. Channel 3/Channel 4 Efficiency Curve, $V_{IN} = 12\text{ V}$, $V_{OUT} = 1.8\text{ V}$, FPWM Mode

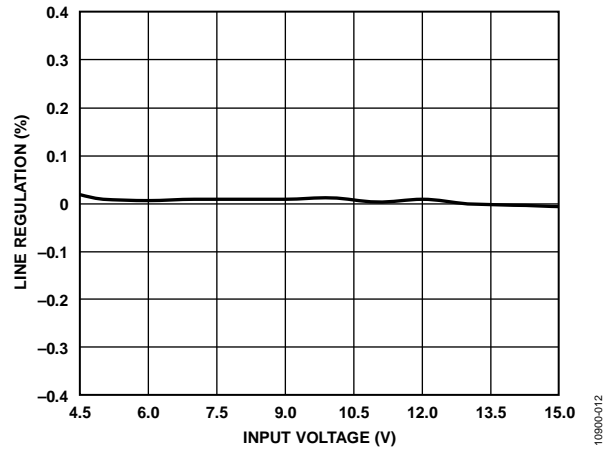


Figure 13. Channel 1 Line Regulation, $V_{OUT} = 3.3\text{ V}$, $I_{OUT} = 4\text{ A}$, $f_{SW} = 600\text{ kHz}$, FPWM Mode

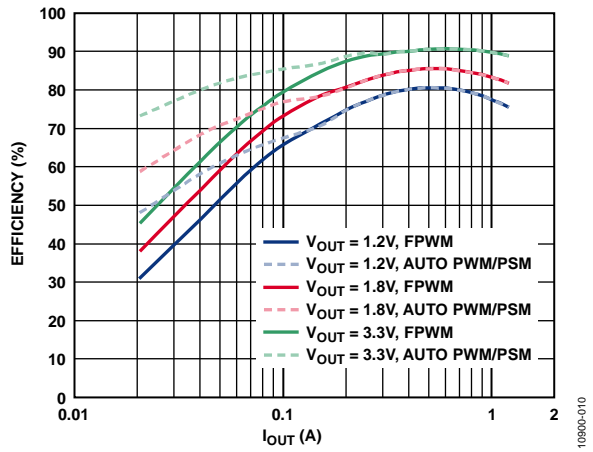


Figure 11. Channel 3/Channel 4 Efficiency Curve, $V_{IN} = 12\text{ V}$, $f_{SW} = 600\text{ kHz}$, FPWM and Automatic PWM/PSM Modes

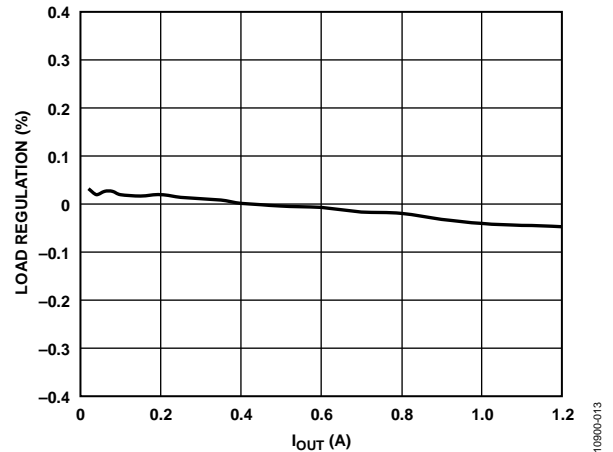


Figure 14. Channel 3 Load Regulation, $V_{IN} = 12\text{ V}$, $V_{OUT} = 3.3\text{ V}$, $f_{SW} = 600\text{ kHz}$, FPWM Mode

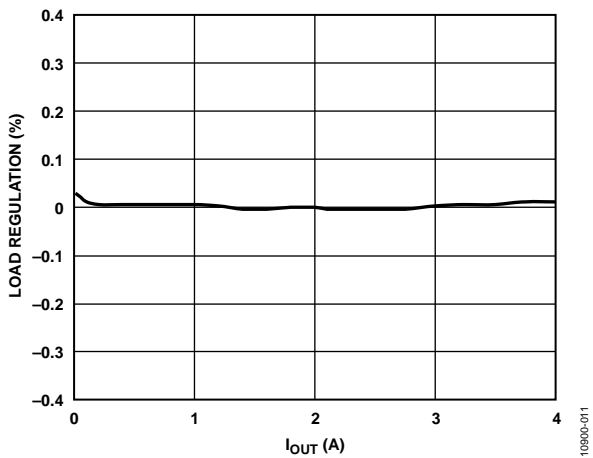


Figure 12. Channel 1 Load Regulation, $V_{IN} = 12\text{ V}$, $V_{OUT} = 3.3\text{ V}$, $f_{SW} = 600\text{ kHz}$, FPWM Mode

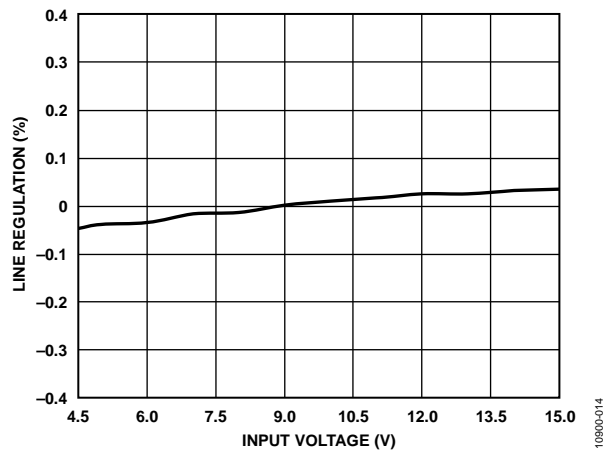


Figure 15. Channel 3 Line Regulation, $V_{OUT} = 3.3\text{ V}$, $I_{OUT} = 1\text{ A}$, $f_{SW} = 600\text{ kHz}$, FPWM Mode

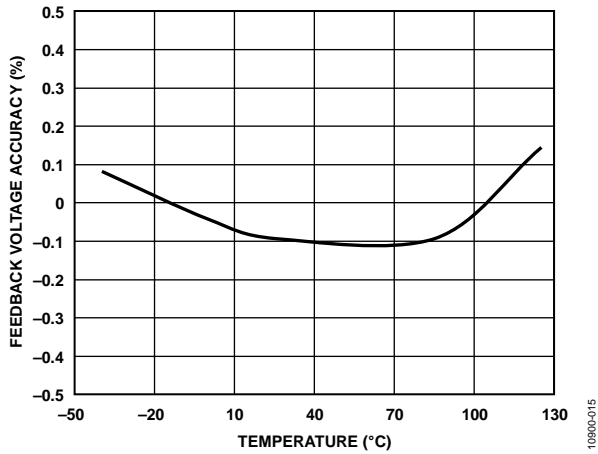


Figure 16. 0.8 V Feedback Voltage Accuracy vs. Temperature for Channel 1, Adjustable Output Model

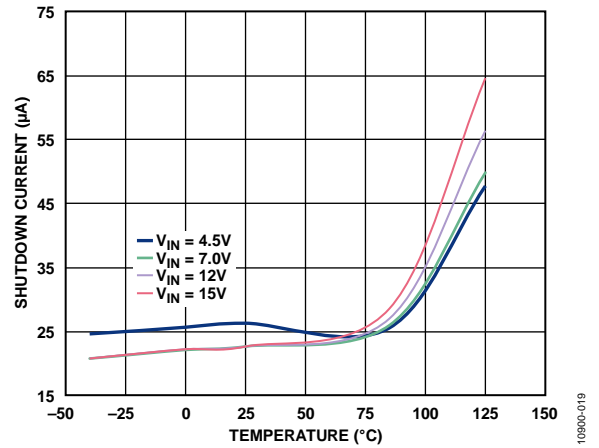


Figure 19. Shutdown Current vs. Temperature (EN1, EN2, EN3, EN4, and EN5 Low)

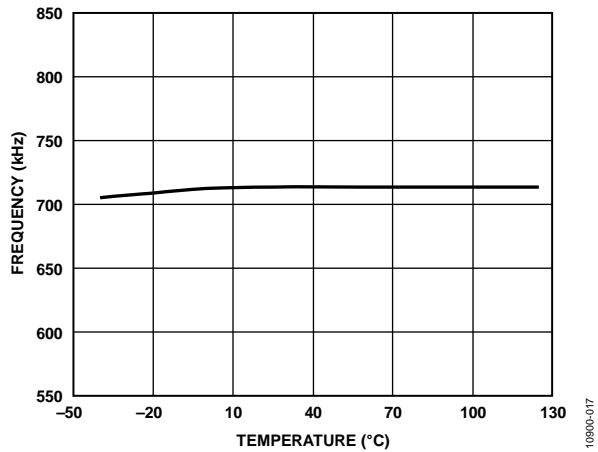


Figure 17. Frequency vs. Temperature, $V_{IN} = 12 V$

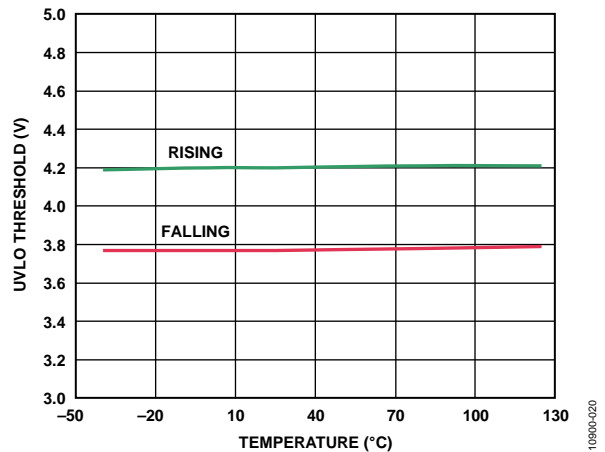


Figure 20. UVLO Threshold vs. Temperature

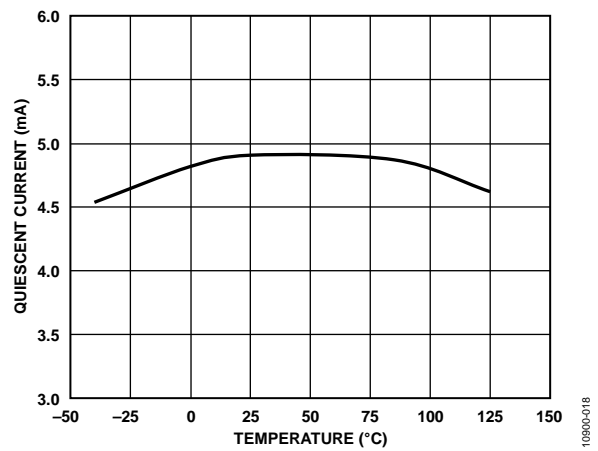


Figure 18. Quiescent Current vs. Temperature (Includes PVIN1, PVIN2, PVIN3, and PVIN4)

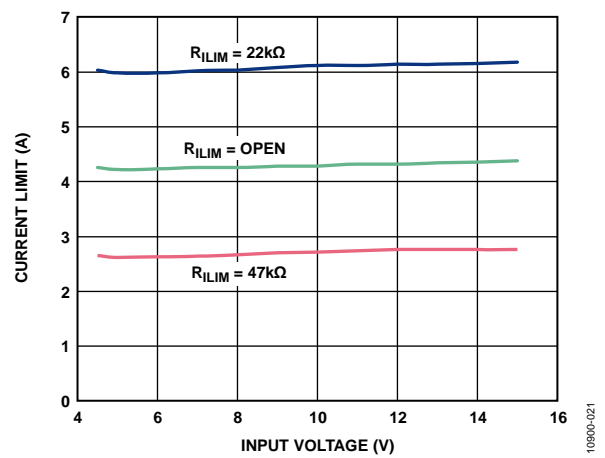


Figure 21. Channel 1/Channel 2 Current Limit vs. Input Voltage

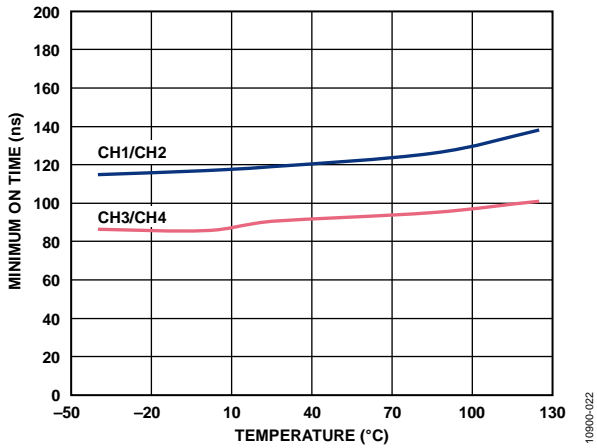


Figure 22. Minimum On Time vs. Temperature

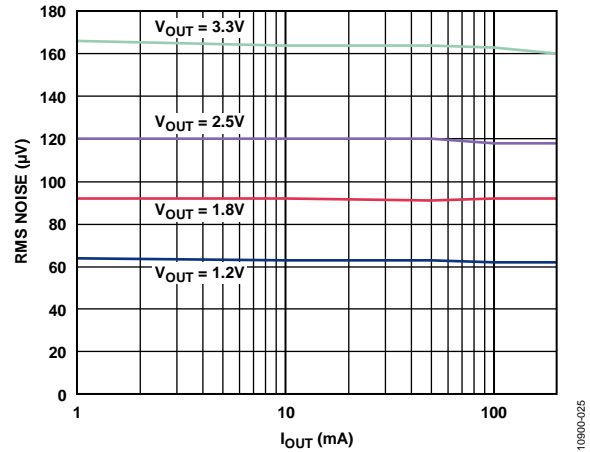


Figure 25. Channel 5 (LDO Regulator) Output Noise vs. Output Load, $V_{IN} = 5\text{ V}$, $C_{OUT} = 1\ \mu\text{F}$

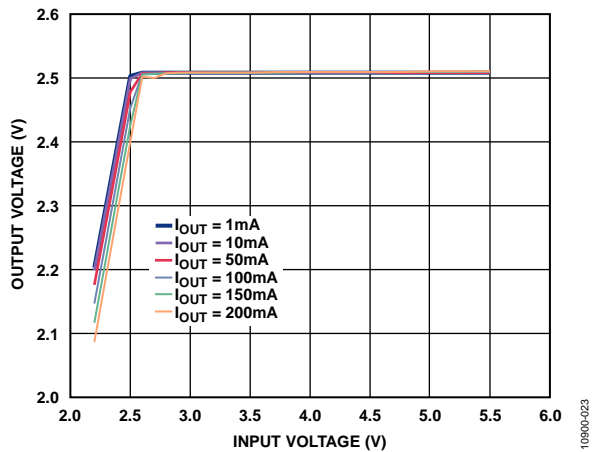


Figure 23. Channel 5 (LDO Regulator) Line Regulation over Output Load

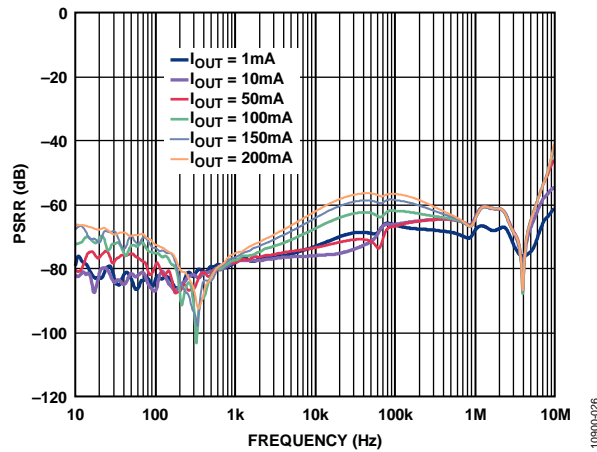


Figure 26. Channel 5 (LDO Regulator) PSRR over Output Load, $V_{IN} = 5\text{ V}$, $V_{OUT} = 3.3\text{ V}$, $C_{OUT} = 1\ \mu\text{F}$

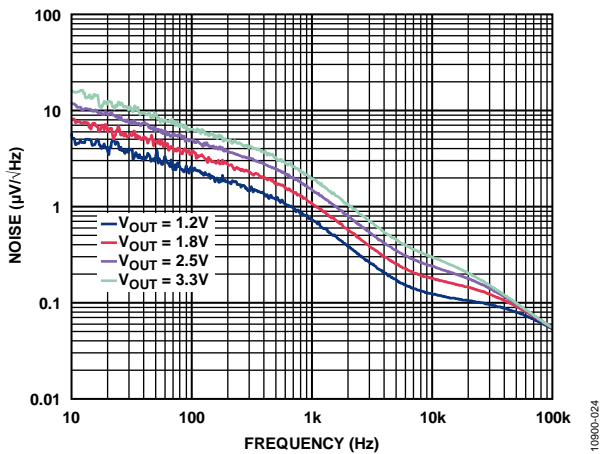


Figure 24. Channel 5 (LDO Regulator) Output Noise Spectrum, $V_{IN} = 5\text{ V}$, $C_{OUT} = 1\ \mu\text{F}$, $I_{OUT} = 10\text{ mA}$

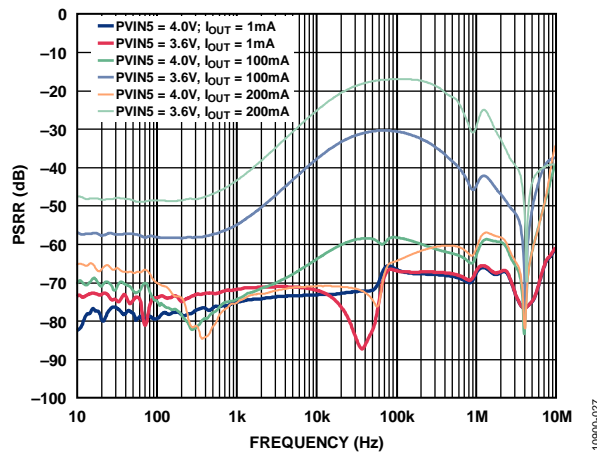


Figure 27. Channel 5 (LDO Regulator) PSRR over Various Loads and Dropout Voltages, $V_{OUT} = 3.3\text{ V}$, $C_{OUT} = 1\ \mu\text{F}$

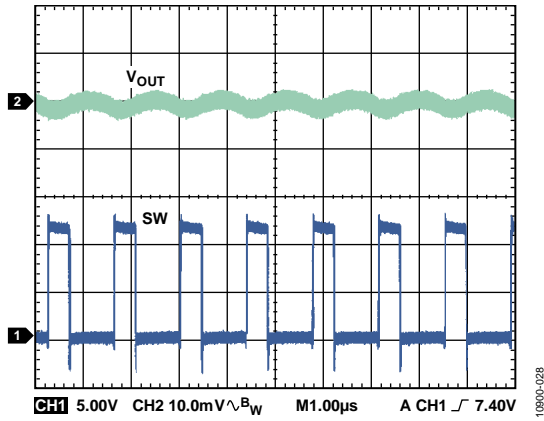


Figure 28. Steady State Waveform at Heavy Load, $V_{IN} = 12\text{ V}$, $V_{OUT} = 3.3\text{ V}$, $I_{OUT} = 3\text{ A}$, $f_{SW} = 600\text{ kHz}$, $L = 4.7\text{ }\mu\text{H}$, $C_{OUT} = 47\text{ }\mu\text{F} \times 2$, FPWM Mode

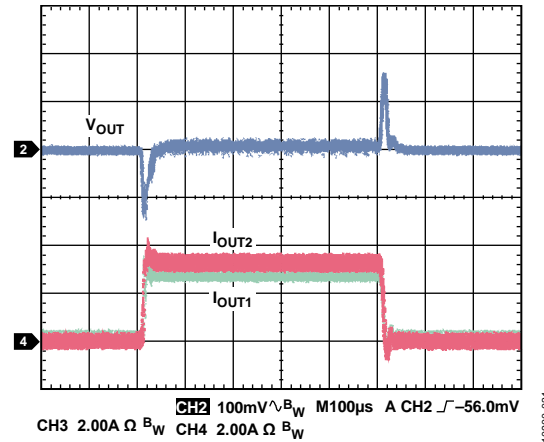


Figure 31. Load Transient, Channel 1/Channel 2 Parallel Output, 0 A to 6 A, $V_{IN} = 12\text{ V}$, $V_{OUT} = 3.3\text{ V}$, $f_{SW} = 600\text{ kHz}$, $L = 4.7\text{ }\mu\text{H}$, $C_{OUT} = 47\text{ }\mu\text{F} \times 4$

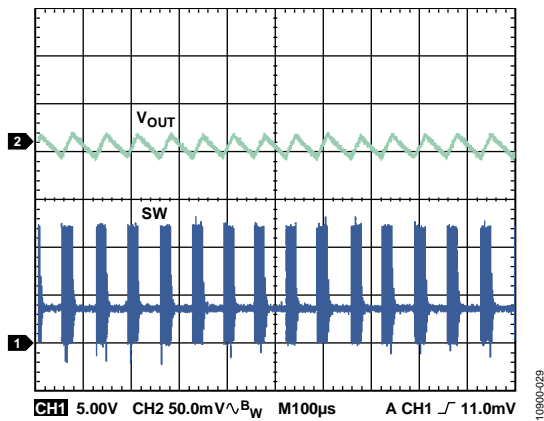


Figure 29. Steady State Waveform at Light Load, $V_{IN} = 12\text{ V}$, $V_{OUT} = 3.3\text{ V}$, $I_{OUT} = 30\text{ mA}$, $f_{SW} = 600\text{ kHz}$, $L = 4.7\text{ }\mu\text{H}$, $C_{OUT} = 47\text{ }\mu\text{F} \times 2$, Automatic PWM/PSM Mode

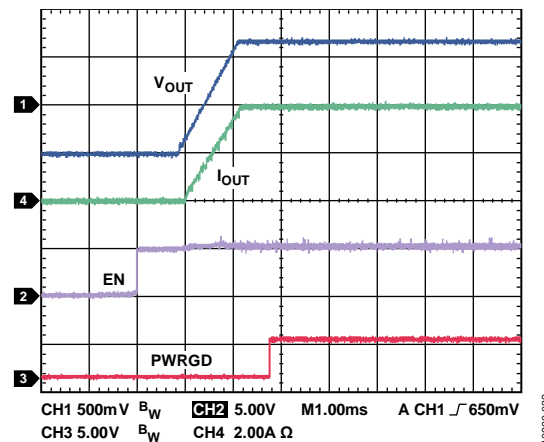


Figure 32. Channel 1/Channel 2 Soft Start with 4 A Resistance Load, $V_{IN} = 12\text{ V}$, $V_{OUT} = 1.2\text{ V}$, $f_{SW} = 600\text{ kHz}$, $L = 1\text{ }\mu\text{H}$, $C_{OUT} = 47\text{ }\mu\text{F} \times 2$

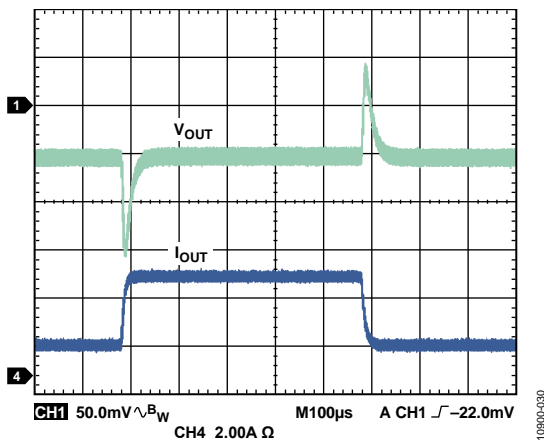


Figure 30. Channel 1/Channel 2 Load Transient, 1 A to 4 A, $V_{IN} = 12\text{ V}$, $V_{OUT} = 3.3\text{ V}$, $f_{SW} = 600\text{ kHz}$, $L = 2.2\text{ }\mu\text{H}$, $C_{OUT} = 47\text{ }\mu\text{F} \times 2$

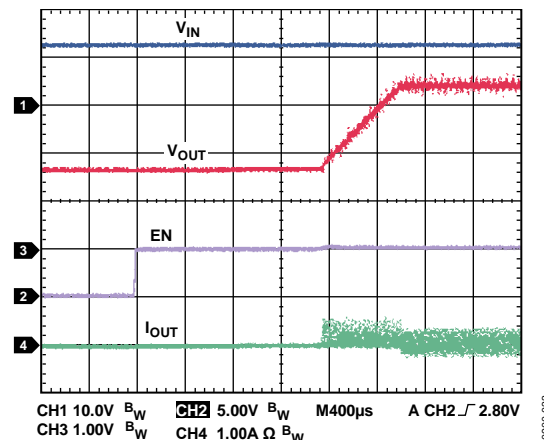


Figure 33. Startup with Precharged Output, $V_{IN} = 12\text{ V}$, $V_{OUT} = 3.3\text{ V}$

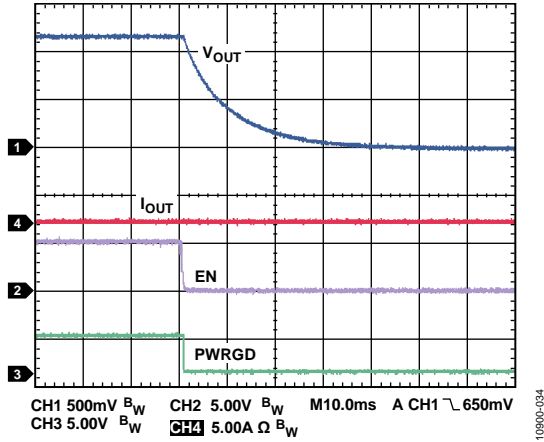


Figure 34. Channel 1/Channel 2 Shutdown with Active Output Discharge, $V_{IN} = 12V$, $V_{OUT} = 1.2V$, $f_{SW} = 600kHz$, $L = 1\mu H$, $C_{OUT} = 47\mu F \times 2$

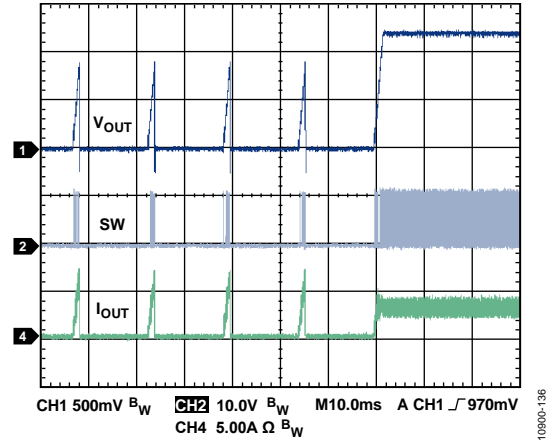


Figure 36. Short-Circuit Protection Recovery, $V_{IN} = 12V$, $V_{OUT} = 1.2V$, $f_{SW} = 600kHz$, $L = 1\mu H$, $C_{OUT} = 47\mu F \times 2$

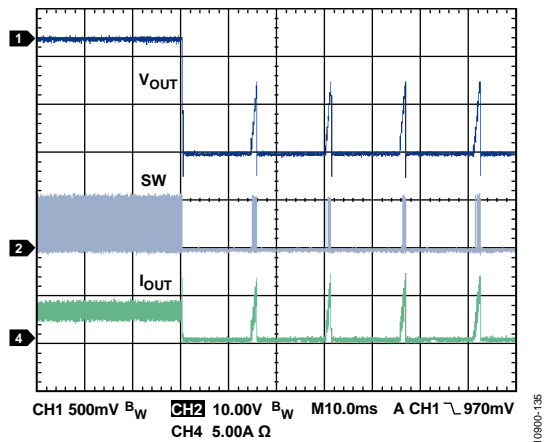


Figure 35. Short-Circuit Protection Entry, $V_{IN} = 12V$, $V_{OUT} = 1.2V$, $f_{SW} = 600kHz$, $L = 1\mu H$, $C_{OUT} = 47\mu F \times 2$

THEORY OF OPERATION

The [ADP5052](#) is a micropower management unit that combines four high performance buck regulators with a 200 mA low dropout (LDO) regulator in a 48-lead LFCSP package to meet demanding performance and board space requirements. The device enables direct connection to high input voltages up to 15 V with no pre-regulators to make applications simpler and more efficient.

BUCK REGULATOR OPERATIONAL MODES

PWM Mode

In pulse-width modulation (PWM) mode, the buck regulators in the [ADP5052](#) operate at a fixed frequency; this frequency is set by an internal oscillator that is programmed by the RT pin. At the start of each oscillator cycle, the high-side MOSFET turns on and sends a positive voltage across the inductor. The inductor current increases until the current-sense signal exceeds the peak inductor current threshold that turns off the high-side MOSFET; this threshold is set by the error amplifier output.

During the high-side MOSFET off time, the inductor current decreases through the low-side MOSFET until the next oscillator clock pulse starts a new cycle. The buck regulators in the [ADP5052](#) regulate the output voltage by adjusting the peak inductor current threshold.

PSM Mode

To achieve higher efficiency, the buck regulators in the [ADP5052](#) smoothly transition to variable frequency power save mode (PSM) operation when the output load falls below the PSM current threshold. When the output voltage falls below regulation, the buck regulator enters PWM mode for a few oscillator cycles until the voltage increases to within regulation. During the idle time between bursts, the MOSFET turns off, and the output capacitor supplies all the output current.

The PSM comparator monitors the internal compensation node, which represents the peak inductor current information. The average PSM current threshold depends on the input voltage (V_{IN}), the output voltage (V_{OUT}), the inductor, and the output capacitor. Because the output voltage occasionally falls below regulation and then recovers, the output voltage ripple in PSM operation is larger than the ripple in the forced PWM mode of operation under light load conditions.

Forced PWM and Automatic PWM/PSM Modes

The buck regulators can be configured to always operate in PWM mode using the SYNC/MODE pin. In forced PWM (FPWM) mode, the regulator continues to operate at a fixed frequency even when the output current is below the PWM/PSM threshold. In PWM mode, efficiency is lower compared to PSM mode under light load conditions. The low-side MOSFET remains on when the inductor current falls to less than 0 A, causing the [ADP5052](#) to enter continuous conduction mode (CCM).

The buck regulators can be configured to operate in automatic PWM/PSM mode using the SYNC/MODE pin. In automatic PWM/PSM mode, the buck regulators operate in either PWM mode or PSM mode, depending on the output current. When the average output current falls below the PWM/PSM threshold, the buck regulator enters PSM mode operation; in PSM mode, the regulator operates with a reduced switching frequency to maintain high efficiency. The low-side MOSFET turns off when the output current reaches 0 A, causing the regulator to operate in discontinuous mode (DCM).

When the SYNC/MODE pin is connected to VREG, the part operates in forced PWM (FPWM) mode. When the SYNC/MODE pin is connected to ground, the part operates in automatic PWM/PSM mode.

ADJUSTABLE AND FIXED OUTPUT VOLTAGES

The [ADP5052](#) provides adjustable and fixed output voltage settings via factory fuse. For the adjustable output settings, use an external resistor divider to set the desired output voltage via the feedback reference voltage (0.8 V for Channel 1 to Channel 4, and 0.5 V for Channel 5).

For the fixed output settings, the feedback resistor divider is built into the [ADP5052](#), and the feedback pin (FBx) must be tied directly to the output. Table 8 lists the available fixed output voltage ranges for each buck regulator channel.

Table 8. Fixed Output Voltage Ranges

| Channel | Fixed Output Voltage Range |
|-----------|--|
| Channel 1 | 0.85 V to 1.6 V in 25 mV steps |
| Channel 2 | 3.3 V to 5.0 V in 300 mV or 200 mV steps |
| Channel 3 | 1.2 V to 1.8 V in 100 mV steps |
| Channel 4 | 2.5 V to 5.5 V in 100 mV steps |

The output range can also be programmed by factory fuse. If a different output voltage range is required, contact your local Analog Devices, Inc., sales or distribution representative.

INTERNAL REGULATORS (VREG AND VDD)

The internal VREG regulator in the [ADP5052](#) provides a stable 5.1 V power supply for the bias voltage of the MOSFET drivers. The internal VDD regulator in the [ADP5052](#) provides a stable 3.3 V power supply for internal control circuits. Connect a 1.0 μ F ceramic capacitor between VREG and ground; connect another 1.0 μ F ceramic capacitor between VDD and ground. The internal VREG and VDD regulators are active as long as PVIN1 is available.

The internal VREG regulator can provide a total load of 95 mA including the MOSFET driving current, and it can be used as an always alive 5.1 V power supply for a small system current demand. The current-limit circuit is included in the VREG regulator to protect the circuit when the part is heavily loaded.

The VDD regulator is for internal circuit use and is not recommended for other purposes.

SEPARATE SUPPLY APPLICATIONS

The [ADP5052](#) supports separate input voltages for the four buck regulators. This means that the input voltages for the four buck regulators can be connected to different supply voltages.

The PVIN1 voltage provides the power supply for the internal regulators and the control circuitry. Therefore, if the user plans to use separate supply voltages for the buck regulators, the PVIN1 voltage must be above the UVLO threshold before the other channels begin to operate.

Precision enabling can be used to monitor the PVIN1 voltage and to delay the startup of the outputs to ensure that PVIN1 is high enough to support the outputs in regulation. For more information, see the Precision Enabling section.

The [ADP5052](#) supports cascading supply operation for the four buck regulators. As shown in Figure 37, PVIN2, PVIN3, and PVIN4 are powered from the Channel 1 output. In this configuration, the Channel 1 output voltage must be higher than the UVLO threshold for PVIN2, PVIN3, and PVIN4.

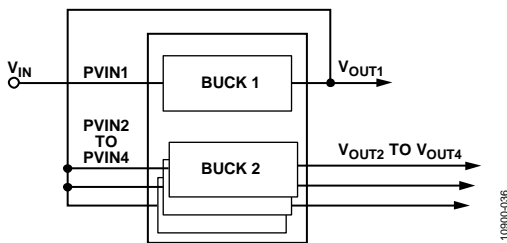


Figure 37. Cascading Supply Application

LOW-SIDE DEVICE SELECTION

The buck regulators in Channel 1 and Channel 2 integrate 4 A high-side power MOSFETs and low-side MOSFET drivers. The N-channel MOSFETs selected for use with the [ADP5052](#) must be able to work with the synchronized buck regulators. In general, a low $R_{DS(on)}$ N-channel MOSFET can be used to achieve higher efficiency; dual MOSFETs in one package (for both Channel 1 and Channel 2) are recommended to save space on the PCB. For more information, see the Low-Side Power Device Selection section.

BOOTSTRAP CIRCUITRY

Each buck regulator in the [ADP5052](#) has an integrated bootstrap regulator. The bootstrap regulator requires a 0.1 μF ceramic capacitor (X5R or X7R) between the BSTx and SWx pins to provide the gate drive voltage for the high-side MOSFET.

ACTIVE OUTPUT DISCHARGE SWITCH

Each buck regulator in the [ADP5052](#) integrates a discharge switch from the switching node to ground. This switch is turned on when its associated regulator is disabled, which helps to discharge the output capacitor quickly. The typical value of the discharge switch is 250 Ω for Channel 1 to Channel 4. The discharge switch function can be enabled or disabled for all four buck regulators by factory fuse.

PRECISION ENABLING

The [ADP5052](#) has an enable control pin for each regulator, including the LDO regulator. The enable control pin (ENx) features a precision enable circuit with a 0.8 V reference voltage. When the voltage at the ENx pin is greater than 0.8 V, the regulator is enabled. When the voltage at the ENx pin falls below 0.725 V, the regulator is disabled. An internal 1 M Ω pull-down resistor prevents errors if the ENx pin is left floating.

The precision enable threshold voltage allows easy sequencing of channels within the part, as well as sequencing between the [ADP5052](#) and other input/output supplies. The ENx pin can also be used as a programmable UVLO input using a resistor divider (see Figure 38). For more information, see the Programming the UVLO Input section.

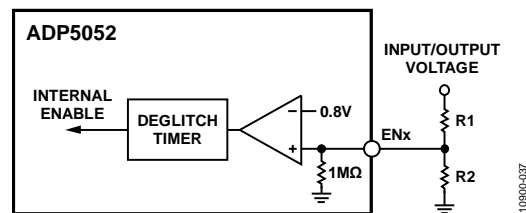


Figure 38. Precision Enable Diagram for One Channel

OSCILLATOR

The switching frequency (f_{sw}) of the [ADP5052](#) can be set to a value from 250 kHz to 1.4 MHz by connecting a resistor from the RT pin to ground. The value of the RT resistor can be calculated as follows:

$$R_{RT} \text{ (k}\Omega\text{)} = [14,822/f_{sw} \text{ (kHz)}]^{1.081}$$

Figure 39 shows the typical relationship between the switching frequency (f_{sw}) and the RT resistor. The adjustable frequency allows users to make decisions based on the trade-off between efficiency and solution size.

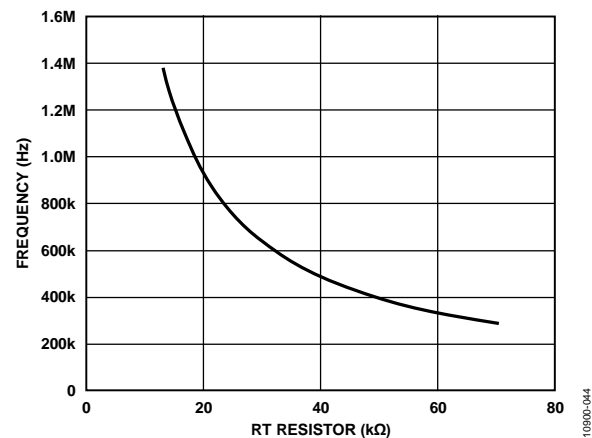


Figure 39. Switching Frequency vs. RT Resistor

For Channel 1 and Channel 3, the frequency can be set to half the master switching frequency set by the RT pin. This setting can be selected by factory fuse. If the master switching frequency is less than 250 kHz, this halving of the frequency for Channel 1 or Channel 3 is not recommended.

Phase Shift

The phase shift between Channel 1 and Channel 2 and between Channel 3 and Channel 4 is 180°. Therefore, Channel 3 is in phase with Channel 1, and Channel 4 is in phase with Channel 2 (see Figure 40). This phase shift maximizes the benefits of out-of-phase operation by reducing the input ripple current and lowering the ground noise.

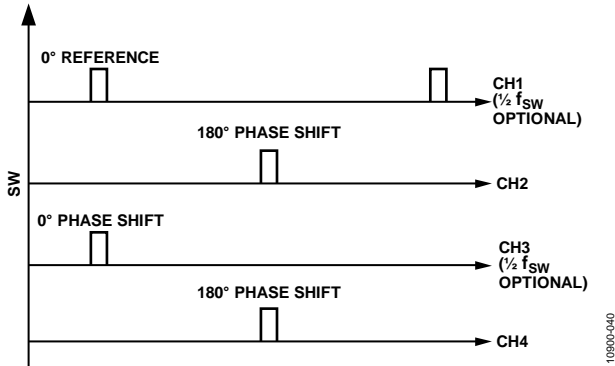


Figure 40. Phase Shift Diagram, Four Buck Regulators

SYNCHRONIZATION INPUT/OUTPUT

The switching frequency of the ADP5052 can be synchronized to an external clock with a frequency range from 250 kHz to 1.4 MHz. The ADP5052 automatically detects the presence of an external clock applied to the SYNC/MODE pin, and the switching frequency transitions smoothly to the frequency of the external clock. When the external clock signal stops, the device automatically switches back to the internal clock and continues to operate.

Note that the internal switching frequency set by the RT pin must be programmed to a value that is close to the external clock value for successful synchronization; the suggested frequency difference is less than ±15% in typical applications.

The SYNC/MODE pin can be configured as a synchronization clock output by factory fuse. A positive clock pulse with a 50% duty cycle is generated at the SYNC/MODE pin with a frequency equal to the internal switching frequency set by the RT pin. There is a short delay time (approximately 15% of t_{sw}) from the generated synchronization clock to the Channel 1 switching node.

Figure 41 shows two ADP5052 devices configured for frequency synchronization mode: one ADP5052 device is configured as the clock output to synchronize another ADP5052 device. It is recommended that a 100 kΩ pull-up resistor be used to prevent logic errors when the SYNC/MODE pin is left floating.

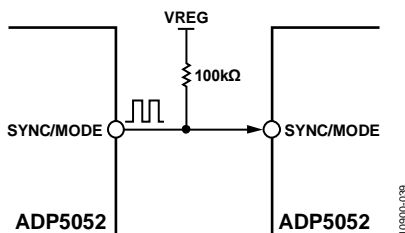


Figure 41. Two ADP5052 Devices Configured for Synchronization Mode

In the configuration shown in Figure 41, the phase shift between Channel 1 of the first ADP5052 device and Channel 1 of the second ADP5052 device is 0° (see Figure 42).

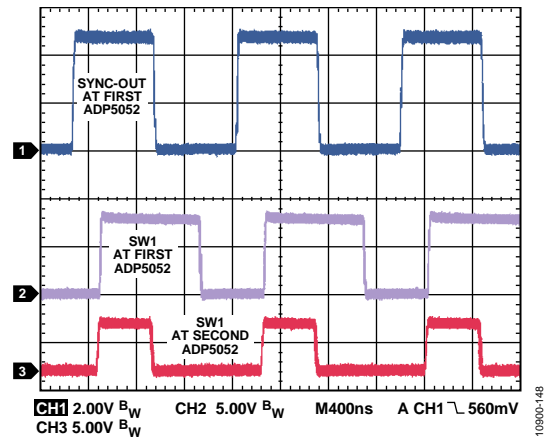


Figure 42. Waveforms of Two ADP5052 Devices Operating in Synchronization Mode

SOFT START

The buck regulators in the ADP5052 include soft start circuitry that ramps the output voltage in a controlled manner during startup, thereby limiting the inrush current. The soft start time is typically fixed at 2 ms for each buck regulator when the SS12 and SS34 pins are tied to VREG.

To set the soft start time to a value of 2 ms, 4 ms, or 8 ms, connect a resistor divider from the SS12 or SS34 pin to the VREG pin and ground (see Figure 43). This configuration may be required to accommodate a specific start-up sequence or an application with a large output capacitor.

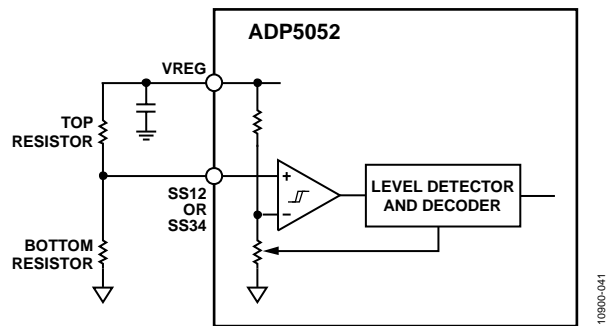


Figure 43. Level Detector Circuit for Soft Start

The SS12 pin can be used to program the soft start time and parallel operation for Channel 1 and Channel 2. The SS34 pin can be used to program the soft start time for Channel 3 and Channel 4. Table 9 provides the values of the resistors needed to set the soft start time.

Table 9. Soft Start Time Set by the SS12 and SS34 Pins

| R _{TOP} (kΩ) | R _{BOT} (kΩ) | Soft Start Time | | Soft Start Time | |
|-----------------------|-----------------------|-----------------|-----------|-----------------|-----------|
| | | Channel 1 | Channel 2 | Channel 3 | Channel 4 |
| 0 | N/A | 2 ms | 2 ms | 2 ms | 2 ms |
| 100 | 600 | 2 ms | Parallel | 2 ms | 4 ms |
| 200 | 500 | 2 ms | 8 ms | 2 ms | 8 ms |
| 300 | 400 | 4 ms | 2 ms | 4 ms | 2 ms |
| 400 | 300 | 4 ms | 4 ms | 4 ms | 4 ms |
| 500 | 200 | 8 ms | 2 ms | 4 ms | 8 ms |
| 600 | 100 | 8 ms | Parallel | 8 ms | 2 ms |
| N/A | 0 | 8 ms | 8 ms | 8 ms | 8 ms |

PARALLEL OPERATION

The ADP5052 supports two-phase parallel operation of Channel 1 and Channel 2 to provide a single output with up to 8 A of current. To configure Channel 1 and Channel 2 as a two-phase single output in parallel operation, do the following (see Figure 44):

- Use the SS12 pin to select parallel operation as specified in Figure 44.
- Leave the COMP2 pin open.
- Use the FB1 pin to set the output voltage.
- Connect the FB2 pin to ground (FB2 is ignored).
- Connect the EN2 pin to ground (EN2 is ignored).

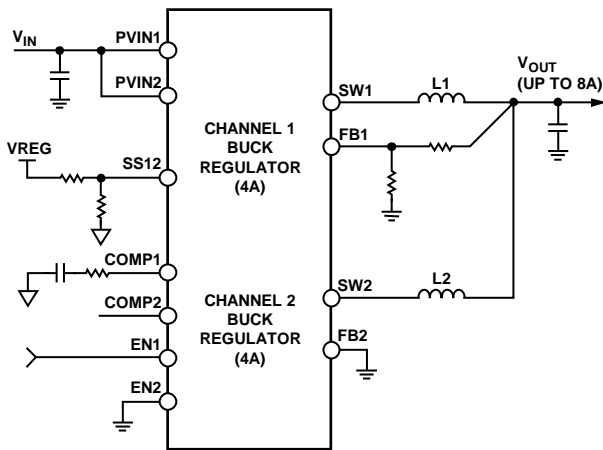


Figure 44. Parallel Operation for Channel 1 and Channel 2

When Channel 1 and Channel 2 are operated in the parallel configuration, configure the channels as follows:

- Set the input voltages and current-limit settings for Channel 1 and Channel 2 to the same values.
- Operate both channels in forced PWM mode.

Current balance in parallel configuration is well regulated by the internal control loop. Figure 45 shows the typical current balance matching in the parallel output configuration.

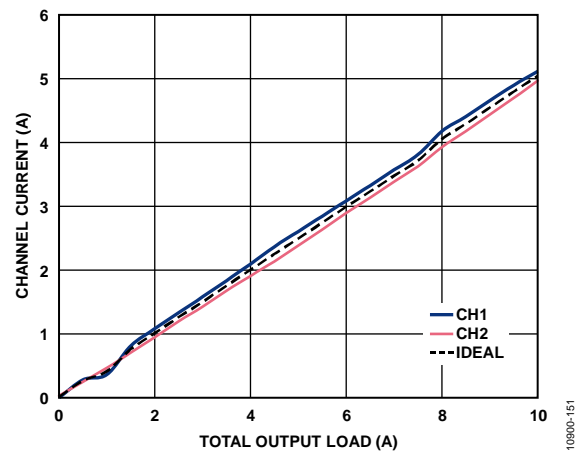


Figure 45. Current Balance in Parallel Output Configuration, V_{IN} = 12 V, V_{OUT} = 1.2 V, f_{sw} = 600 kHz, FPWM Mode

STARTUP WITH PRECHARGED OUTPUT

The buck regulators in the ADP5052 include a precharged start-up feature to protect the low-side FETs from damage during startup. If the output voltage is precharged before the regulator is turned on, the regulator prevents reverse inductor current—which discharges the output capacitor—until the internal soft start reference voltage exceeds the precharged voltage on the feedback (FBx) pin.

CURRENT-LIMIT PROTECTION

The buck regulators in the ADP5052 include peak current-limit protection circuitry to limit the amount of positive current flowing through the high-side MOSFET. The peak current limit on the power switch limits the amount of current that can flow from the input to the output. The programmable current-limit threshold feature allows for the use of small size inductors for low current applications.

To configure the current-limit threshold for Channel 1, connect a resistor from the DL1 pin to ground; to configure the current-limit threshold for Channel 2, connect another resistor from the DL2 pin to ground. Table 10 lists the peak current-limit threshold settings for Channel 1 and Channel 2.

Table 10. Peak Current-Limit Threshold Settings for Channel 1 and Channel 2

| R _{ILIM1} or R _{ILIM2} | Typical Peak Current-Limit Threshold |
|--|--------------------------------------|
| Floating | 4.4 A |
| 47 kΩ | 2.63 A |
| 22 kΩ | 6.44 A |

The buck regulators in the ADP5052 include negative current-limit protection circuitry to limit certain amounts of negative current flowing through the low-side MOSFET.

FREQUENCY FOLDBACK

The buck regulators in the ADP5052 include frequency foldback to prevent output current runaway when a hard short occurs on the output. Frequency foldback is implemented as follows:

- If the voltage at the FBx pin falls below half the target output voltage, the switching frequency is reduced by half.
- If the voltage at the FBx pin falls again to below one-fourth the target output voltage, the switching frequency is reduced to half its current value, that is, to one-fourth of f_{sw} .

The reduced switching frequency allows more time for the inductor current to decrease but also increases the ripple current during peak current regulation. This results in a reduction in average current and prevents output current runaway.

Pulse Skip Mode Under Maximum Duty Cycle

Under maximum duty cycle conditions, frequency foldback maintains the output in regulation. If the maximum duty cycle is reached—for example, when the input voltage decreases—the PWM modulator skips every other PWM pulse, resulting in a switching frequency foldback of one-half. If the duty cycle increases further, the PWM modulator skips two of every three PWM pulses, resulting in a switching frequency foldback to one-third of the switching frequency. Frequency foldback increases the effective maximum duty cycle, thereby decreasing the dropout voltage between the input and output voltages.

HICCUP PROTECTION

The buck regulators in the ADP5052 include a hiccup mode for overcurrent protection (OCP). When the peak inductor current reaches the current-limit threshold, the high-side MOSFET turns off and the low-side MOSFET turns on until the next cycle.

When hiccup mode is active, the overcurrent fault counter is incremented. If the overcurrent fault counter reaches 15 and overflows (indicating a short-circuit condition), both the high-side and low-side MOSFETs are turned off. The buck regulator remains in hiccup mode for a period equal to seven soft start cycles and then attempts to restart from soft start. If the short-circuit fault has cleared, the regulator resumes normal operation; otherwise, it reenters hiccup mode after the soft start.

Hiccup protection is masked during the initial soft start cycle to enable startup of the buck regulator under heavy load conditions. Note that careful design and proper component selection are required to ensure that the buck regulator recovers from hiccup mode under heavy loads. Hiccup protection can be enabled or disabled for all four buck regulators by factory fuse. When hiccup protection is disabled, the frequency foldback feature is still available for overcurrent protection.

LATCH-OFF PROTECTION

The buck regulators in the ADP5052 have an optional latch-off mode to protect the device from serious problems such as short-circuit and overvoltage conditions. Latch-off mode can be enabled by factory fuse.

Short-Circuit Latch-Off Mode

Short-circuit latch-off mode is enabled by factory fuse (on or off for all four buck regulators). When short-circuit latch-off mode is enabled and the protection circuit detects an overcurrent status after a soft start, the buck regulator enters hiccup mode and attempts to restart. If seven continuous restart attempts are made and the regulator remains in the fault condition, the regulator is shut down. This shutdown (latch-off) condition is cleared only by reenabling the channel or by resetting the channel power supply. Note that short-circuit latch-off mode does not work if hiccup protection is disabled.

Figure 46 shows the short-circuit latch-off detection function.

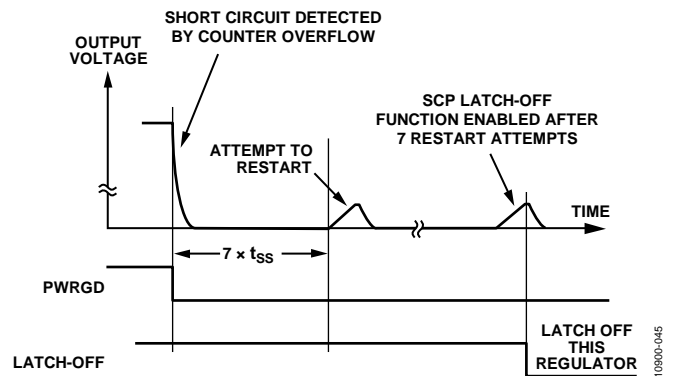


Figure 46. Short-Circuit Latch-Off Detection

Overvoltage Latch-Off Mode

Overvoltage latch-off mode is enabled by factory fuse (on or off for all four buck regulators). The overvoltage latch-off threshold is 124% of the nominal output voltage level. When the output voltage exceeds this threshold, the protection circuit detects the overvoltage status and the regulator shuts down. This shutdown (latch-off) condition is cleared only by reenabling the channel or by resetting the channel power supply.

Figure 47 shows the overvoltage latch-off detection function.

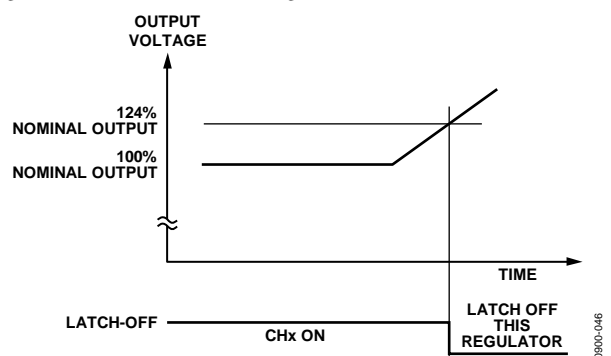


Figure 47. Overvoltage Latch-Off Detection

UNDERVOLTAGE LOCKOUT (UVLO)

Undervoltage lockout circuitry monitors the input voltage level of each buck regulator in the ADP5052. If any input voltage (PVINx pin) falls below 3.78 V (typical), the corresponding channel is turned off. After the input voltage rises above 4.2 V (typical), the soft start period is initiated, and the corresponding channel is enabled when the ENx pin is high.

Note that a UVLO condition on Channel 1 (PVIN1 pin) has a higher priority than a UVLO condition on other channels, which means that the PVIN1 supply must be available before other channels can be operated.

POWER-GOOD FUNCTION

The ADP5052 includes an open-drain power-good output (PWRGD pin) that becomes active high when the selected buck regulators are operating normally. By default, the PWRGD pin monitors the output voltage on Channel 1. Other channels can be configured to control the PWRGD pin when the ADP5052 is ordered.

A logic high on the PWRGD pin indicates that the regulated output voltage of the buck regulator is above 90.5% (typical) of its nominal output. When the regulated output voltage of the buck regulator falls below 87.2% (typical) of its nominal output for a delay time greater than approximately 50 μ s, the PWRGD pin goes low.

The output of the PWRGD pin is the logical AND of the internal PWRGx signals. An internal PWRGx signal must be high for a validation time of 1 ms before the PWRGD pin goes high; if one PWRGx signal fails, the PWRGD pin goes low with no delay. The channels that control the PWRGD pin (Channel 1 to Channel 4) can be specified by factory fuse. The default PWRGD setting is to monitor the output of Channel 1.

THERMAL SHUTDOWN

If the ADP5052 junction temperature exceeds 150°C, the thermal shutdown circuit turns off the IC except for the internal linear regulators. Extreme junction temperatures can be the result of high current operation, poor circuit board design, or high ambient temperature. A 15°C hysteresis is included so that the ADP5052 does not return to operation after thermal shutdown until the on-chip temperature falls below 135°C. When the part exits thermal shutdown, a soft start is initiated for each enabled channel.

LDO REGULATOR

The ADP5052 integrates a general-purpose LDO regulator with low quiescent current and low dropout voltage. The LDO regulator provides up to 200 mA of output current.

The LDO regulator operates with an input voltage of 1.7 V to 5.5 V. The wide supply range makes the regulator suitable for cascading configurations where the LDO supply voltage is provided from one of the buck regulators. The LDO output voltage is set using an external resistor divider (see Figure 48).

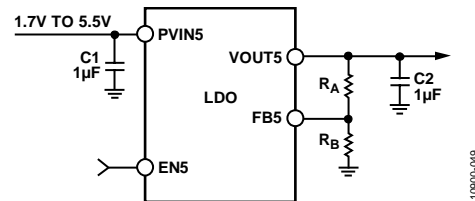


Figure 48. 200 mA LDO Regulator

The LDO regulator provides a high power supply rejection ratio (PSRR), low output noise, and excellent line and load transient response using small 1 μ F ceramic input and output capacitors.

APPLICATIONS INFORMATION

ADIsimPower DESIGN TOOL

The ADP5052 is supported by the ADIsimPower™ design tool set. ADIsimPower is a collection of tools that produce complete power designs optimized for a specific design goal. The tools enable the user to generate a full schematic and bill of materials and to calculate performance in minutes. ADIsimPower can optimize designs for cost, area, efficiency, and part count while taking into consideration the operating conditions and limitations of the IC and all real external components. The ADIsimPower tool can be found at www.analog.com/ADIsimPower; the user can request an unpopulated board through the tool.

PROGRAMMING THE ADJUSTABLE OUTPUT VOLTAGE

The output voltage of the ADP5052 is externally set by a resistive voltage divider from the output voltage to the FBx pin. To limit the degradation of the output voltage accuracy due to feedback bias current, ensure that the bottom resistor in the divider is not too large—a value of less than 50 kΩ is recommended.

The equation for the output voltage setting is

$$V_{OUT} = V_{REF} \times (1 + (R_{TOP}/R_{BOT}))$$

where:

V_{OUT} is the output voltage.

V_{REF} is the feedback reference voltage: 0.8 V for Channel 1 to Channel 4 and 0.5 V for Channel 5.

R_{TOP} is the feedback resistor from V_{OUT} to FB.

R_{BOT} is the feedback resistor from FB to ground.

No resistor divider is required in the fixed output options. If a different fixed output voltage is required, contact your local Analog Devices sales or distribution representative.

VOLTAGE CONVERSION LIMITATIONS

For a given input voltage, upper and lower limitations on the output voltage exist due to the minimum on time and the minimum off time.

The minimum output voltage for a given input voltage and switching frequency is limited by the minimum on time. The minimum on time for Channel 1 and Channel 2 is 117 ns (typical); the minimum on time for Channel 3 and Channel 4 is 90 ns (typical). The minimum on time increases at higher junction temperatures.

Note that in forced PWM mode, Channel 1 and Channel 2 can potentially exceed the nominal output voltage when the minimum on time limit is exceeded. Careful switching frequency selection is required to avoid this problem.

The minimum output voltage in continuous conduction mode (CCM) for a given input voltage and switching frequency can be calculated using the following equation:

$$V_{OUT_MIN} = V_{IN} \times t_{MIN_ON} \times f_{SW} - (R_{DSON1} - R_{DSON2}) \times I_{OUT_MIN} \times t_{MIN_ON} \times f_{SW} - (R_{DSON2} + R_L) \times I_{OUT_MIN} \quad (1)$$

where:

V_{OUT_MIN} is the minimum output voltage.

t_{MIN_ON} is the minimum on time.

f_{SW} is the switching frequency.

R_{DSON1} is the on resistance of the high-side MOSFET.

R_{DSON2} is the on resistance of the low-side MOSFET.

I_{OUT_MIN} is the minimum output current.

R_L is the resistance of the output inductor.

The maximum output voltage for a given input voltage and switching frequency is limited by the minimum off time and the maximum duty cycle. Note that the frequency foldback feature helps to increase the effective maximum duty cycle by lowering the switching frequency, thereby decreasing the dropout voltage between the input and output voltages (see the Frequency Foldback section).

The maximum output voltage for a given input voltage and switching frequency can be calculated using the following equation:

$$V_{OUT_MAX} = V_{IN} \times (1 - t_{MIN_OFF} \times f_{SW}) - (R_{DSON1} - R_{DSON2}) \times I_{OUT_MAX} \times (1 - t_{MIN_OFF} \times f_{SW}) - (R_{DSON2} + R_L) \times I_{OUT_MAX} \quad (2)$$

where:

V_{OUT_MAX} is the maximum output voltage.

t_{MIN_OFF} is the minimum off time.

f_{SW} is the switching frequency.

R_{DSON1} is the on resistance of the high-side MOSFET.

R_{DSON2} is the on resistance of the low-side MOSFET.

I_{OUT_MAX} is the maximum output current.

R_L is the resistance of the output inductor.

As shown in Equation 1 and Equation 2, reducing the switching frequency eases the minimum on time and off time limitations.

CURRENT-LIMIT SETTING

The ADP5052 has three selectable current-limit thresholds for Channel 1 and Channel 2. Make sure that the selected current-limit value is larger than the peak current of the inductor, I_{PEAK} . See Table 10 for the current-limit configuration for Channel 1 and Channel 2.

SOFT START SETTING

The buck regulators in the ADP5052 include soft start circuitry that ramps the output voltage in a controlled manner during startup, thereby limiting the inrush current. To set the soft start time to a value of 2 ms, 4 ms, or 8 ms, connect a resistor divider from the SS12 or SS34 pin to the VREG pin and ground (see the Soft Start section).

INDUCTOR SELECTION

The inductor value is determined by the switching frequency, input voltage, output voltage, and inductor ripple current. Using a small inductor value yields faster transient response but degrades efficiency due to the larger inductor ripple current. Using a large inductor value yields a smaller ripple current and better efficiency but results in slower transient response. Thus, a trade-off must be made between transient response and efficiency. As a guideline, the inductor ripple current, ΔI_L , is typically set to a value from 30% to 40% of the maximum load current. The inductor value can be calculated using the following equation:

$$L = [(V_{IN} - V_{OUT}) \times D] / (\Delta I_L \times f_{sw})$$

where:

V_{IN} is the input voltage.

V_{OUT} is the output voltage.

D is the duty cycle ($D = V_{OUT} / V_{IN}$).

ΔI_L is the inductor ripple current.

f_{sw} is the switching frequency.

The ADP5052 has internal slope compensation in the current loop to prevent subharmonic oscillations when the duty cycle is greater than 50%.

The peak inductor current is calculated using the following equation:

$$I_{PEAK} = I_{OUT} + (\Delta I_L / 2)$$

The saturation current of the inductor must be larger than the peak inductor current. For ferrite core inductors with a fast saturation characteristic, make sure that the saturation current rating of the inductor is higher than the current-limit threshold of the buck regulator to prevent the inductor from becoming saturated.

The rms current of the inductor can be calculated using the following equation:

$$I_{RMS} = \sqrt{I_{OUT}^2 + \frac{\Delta I_L^2}{12}}$$

Shielded ferrite core materials are recommended for low core loss and low EMI. Table 11 lists recommended inductors.

Table 11. Recommended Inductors

| Vendor | Part No. | Value (μH) | I_{SAT} (A) | I_{RMS} (A) | DCR (m Ω) | Size (mm) |
|-------------|-------------|-------------------------|---------------|---------------|-------------------|-----------|
| Coilcraft | XFL4020-102 | 1.0 | 5.4 | 11 | 10.8 | 4 × 4 |
| | XFL4020-222 | 2.2 | 3.7 | 8.0 | 21.35 | 4 × 4 |
| | XFL4020-332 | 3.3 | 2.9 | 5.2 | 34.8 | 4 × 4 |
| | XFL4020-472 | 4.7 | 2.7 | 5.0 | 52.2 | 4 × 4 |
| | XAL4030-682 | 6.8 | 3.6 | 3.9 | 67.4 | 4 × 4 |
| | XAL4040-103 | 10 | 3.0 | 3.1 | 84 | 4 × 4 |
| | XAL6030-102 | 1.0 | 23 | 18 | 5.62 | 6 × 6 |
| | XAL6030-222 | 2.2 | 15.9 | 10 | 12.7 | 6 × 6 |
| | XAL6030-332 | 3.3 | 12.2 | 8.0 | 19.92 | 6 × 6 |
| | XAL6060-472 | 4.7 | 10.5 | 11 | 14.4 | 6 × 6 |
| XAL6060-682 | 6.8 | 9.2 | 9.0 | 18.9 | 6 × 6 | |
| TOKO | FDV0530-1R0 | 1.0 | 11.2 | 9.1 | 9.4 | 6.2 × 5.8 |
| | FDV0530-2R2 | 2.2 | 7.1 | 7.0 | 17.3 | 6.2 × 5.8 |
| | FDV0530-3R3 | 3.3 | 5.5 | 5.3 | 29.6 | 6.2 × 5.8 |
| | FDV0530-4R7 | 4.7 | 4.6 | 4.2 | 46.6 | 6.2 × 5.8 |

OUTPUT CAPACITOR SELECTION

The selected output capacitor affects both the output voltage ripple and the loop dynamics of the regulator. For example, during load step transients on the output, when the load is suddenly increased, the output capacitor supplies the load until the control loop can ramp up the inductor current, causing an undershoot of the output voltage.

The output capacitance required to meet the undershoot (voltage droop) requirement can be calculated using the following equation:

$$C_{OUT_UV} = \frac{K_{UV} \times \Delta I_{STEP}^2 \times L}{2 \times (V_{IN} - V_{OUT}) \times \Delta V_{OUT_UV}}$$

where:

K_{UV} is a factor (typically set to 2).

ΔI_{STEP} is the load step.

ΔV_{OUT_UV} is the allowable undershoot on the output voltage.

Another example of the effect of the output capacitor on the loop dynamics of the regulator is when the load is suddenly removed from the output and the energy stored in the inductor rushes into the output capacitor, causing an overshoot of the output voltage.

The output capacitance required to meet the overshoot requirement can be calculated using the following equation:

$$C_{OUT_OV} = \frac{K_{OV} \times \Delta I_{STEP}^2 \times L}{(V_{OUT} + \Delta V_{OUT_OV})^2 - V_{OUT}^2}$$

where:

K_{OV} is a factor (typically set to 2).

ΔI_{STEP} is the load step.

ΔV_{OUT_OV} is the allowable overshoot on the output voltage.

The output voltage ripple is determined by the ESR of the output capacitor and its capacitance value. Use the following equations to select a capacitor that can meet the output ripple requirements:

$$C_{OUT_RIPPLE} = \frac{\Delta I_L}{8 \times f_{SW} \times \Delta V_{OUT_RIPPLE}}$$

$$R_{ESR} = \frac{\Delta V_{OUT_RIPPLE}}{\Delta I_L}$$

where:

ΔI_L is the inductor ripple current.

f_{SW} is the switching frequency.

ΔV_{OUT_RIPPLE} is the allowable output voltage ripple.

R_{ESR} is the equivalent series resistance of the output capacitor.

Select the largest output capacitance given by C_{OUT_UV} , C_{OUT_OV} , and C_{OUT_RIPPLE} to meet both load transient and output ripple requirements.

The voltage rating of the selected output capacitor must be greater than the output voltage. The minimum rms current rating of the output capacitor is determined by the following equation:

$$I_{C_{OUT_rms}} = \frac{\Delta I_L}{\sqrt{12}}$$

INPUT CAPACITOR SELECTION

The input decoupling capacitor attenuates high frequency noise on the input and acts as an energy reservoir. Use a ceramic capacitor and place it close to the PVINx pin. The loop composed of the input capacitor, the high-side NFET, and the low-side NFET must be kept as small as possible. The voltage rating of the input capacitor must be greater than the maximum input voltage. Make sure that the rms current rating of the input capacitor is larger than the following equation:

$$I_{C_{IN_rms}} = I_{OUT} \times \sqrt{D \times (1-D)}$$

where D is the duty cycle ($D = V_{OUT}/V_{IN}$).

LOW-SIDE POWER DEVICE SELECTION

Channel 1 and Channel 2 include integrated low-side MOSFET drivers, which can drive low-side N-channel MOSFETs (NFETs). The selection of the low-side N-channel MOSFET affects the performance of the buck regulator.

The selected MOSFET must meet the following requirements:

- Drain-to-source voltage (V_{DS}) must be higher than $1.2 \times V_{IN}$.
- Drain current (I_D) must be greater than $1.2 \times I_{LIMIT_MAX}$, where I_{LIMIT_MAX} is the selected maximum current-limit threshold.
- The selected MOSFET can be fully turned on at $V_{GS} = 4.5$ V.
- Total gate charge (Q_g at $V_{GS} = 4.5$ V) must be less than 20 nC. Lower Q_g characteristics provide higher efficiency.

When the high-side MOSFET is turned off, the low-side MOSFET supplies the inductor current. For low duty cycle applications, the low-side MOSFET supplies the current for most of the period. To achieve higher efficiency, it is important to select a MOSFET with low on resistance. The power conduction loss for the low-side MOSFET can be calculated using the following equation:

$$P_{FET_LOW} = I_{OUT}^2 \times R_{DS(on)} \times (1 - D)$$

where:

$R_{DS(on)}$ is the on resistance of the low-side MOSFET.

D is the duty cycle ($D = V_{OUT}/V_{IN}$).

Table 12 lists recommended dual MOSFETs for various current-limit settings. Ensure that the MOSFET can handle thermal dissipation due to power loss.

Table 12. Recommended Dual MOSFETs

| Vendor | Part No. | V_{DS} (V) | I_D (A) | $R_{DS(on)}$ (m Ω) | Q_g (nC) | Size (mm) |
|-----------|-----------|--------------|-----------|----------------------------|------------|-----------|
| IR | IRFHM8363 | 30 | 10 | 20.4 | 6.7 | 3 × 3 |
| | IRLHS6276 | 20 | 3.4 | 45 | 3.1 | 2 × 2 |
| Fairchild | FDMA1024 | 20 | 5.0 | 54 | 5.2 | 2 × 2 |
| | FDMB3900 | 25 | 7.0 | 33 | 11 | 3 × 2 |
| | FDMB3800 | 30 | 4.8 | 51 | 4 | 3 × 2 |
| | FDC6401 | 20 | 3.0 | 70 | 3.3 | 3 × 3 |
| Vishay | Si7228DN | 30 | 23 | 25 | 4.1 | 3 × 3 |
| | Si7232DN | 20 | 25 | 16.4 | 12 | 3 × 3 |
| | Si7904BDN | 20 | 6 | 30 | 9 | 3 × 3 |
| | Si5906DU | 30 | 6 | 40 | 8 | 3 × 2 |
| | Si5908DC | 20 | 5.9 | 40 | 5 | 3 × 2 |
| | SiA906EDJ | 20 | 4.5 | 46 | 3.5 | 2 × 2 |
| AOS | AON7804 | 30 | 22 | 26 | 7.5 | 3 × 3 |
| | AON7826 | 20 | 22 | 26 | 6 | 3 × 3 |
| | AO6800 | 30 | 3.4 | 70 | 4.7 | 3 × 3 |
| | AON2800 | 20 | 4.5 | 47 | 4.1 | 2 × 2 |

PROGRAMMING THE UVLO INPUT

The precision enable input can be used to program the UVLO threshold of the input voltage, as shown in Figure 38. To limit the degradation of the input voltage accuracy due to the internal 1 M Ω pull-down resistor tolerance, ensure that the bottom resistor in the divider is not too large—a value of less than 50 k Ω is recommended.

The precision turn-on threshold is 0.8 V. The resistive voltage divider for the programmable V_{IN} start-up voltage is calculated as follows:

$$V_{IN_STARTUP} = (0.8 \text{ nA} + (0.8 \text{ V}/R_{BOT_EN})) \times (R_{TOP_EN} + R_{BOT_EN})$$

where:

R_{TOP_EN} is the resistor from V_{IN} to EN.

R_{BOT_EN} is the resistor from EN to ground.

COMPENSATION COMPONENTS DESIGN

For the peak current-mode control architecture, the power stage can be simplified as a voltage controlled current source that supplies current to the output capacitor and load resistor. The simplified loop is composed of one domain pole and a zero contributed by the output capacitor ESR. The control-to-output transfer function is shown in the following equations:

$$G_{vd}(s) = \frac{V_{OUT}(s)}{V_{COMP}(s)} = A_{VI} \times R \times \left(\frac{1 + \frac{s}{2 \times \pi \times f_z}}{1 + \frac{s}{2 \times \pi \times f_p}} \right)$$

$$f_z = \frac{1}{2 \times \pi \times R_{ESR} \times C_{OUT}}$$

$$f_p = \frac{1}{2 \times \pi \times (R + R_{ESR}) \times C_{OUT}}$$

where:

$A_{VI} = 10$ A/V for Channel 1 or Channel 2, and 3.33 A/V for Channel 3 or Channel 4.

R is the load resistance.

R_{ESR} is the equivalent series resistance of the output capacitor.

C_{OUT} is the output capacitance.

The ADP5052 uses a transconductance amplifier as the error amplifier to compensate the system. Figure 49 shows the simplified peak current-mode control small signal circuit.

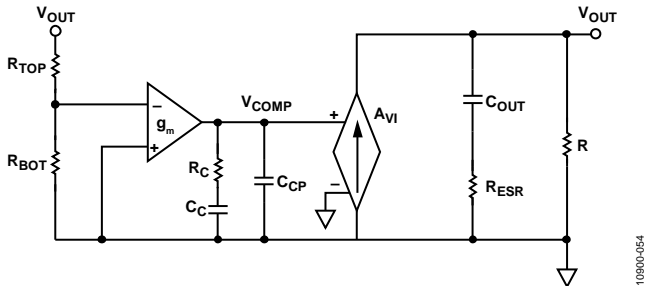


Figure 49. Simplified Peak Current-Mode Control Small Signal Circuit

The compensation components, R_C and C_C , contribute a zero; R_C and the optional C_{CP} contribute an optional pole.

The closed-loop transfer function is as follows:

$$T_V(s) = \frac{R_{BOT}}{R_{BOT} + R_{TOP}} \times \frac{-g_m}{C_C + C_{CP}} \times \frac{1 + R_C \times C_C \times s}{s \times \left(1 + \frac{R_C \times C_C \times C_{CP} \times s}{C_C + C_{CP}} \right)} \times G_{vd}(s)$$

The following guidelines show how to select the compensation components— R_C , C_C , and C_{CP} —for ceramic output capacitor applications.

1. Determine the cross frequency (f_c). Generally, f_c is between $f_{sw}/12$ and $f_{sw}/6$.
2. Calculate R_C using the following equation:

$$R_C = \frac{2 \times \pi \times V_{OUT} \times C_{OUT} \times f_c}{0.8V \times g_m \times A_{VI}}$$

3. Place the compensation zero at the domain pole (f_p). Calculate C_C using the following equation:

$$C_C = \frac{(R + R_{ESR}) \times C_{OUT}}{R_C}$$

4. C_{CP} is optional. It can be used to cancel the zero caused by the ESR of the output capacitor. Calculate C_{CP} using the following equation:

$$C_{CP} = \frac{R_{ESR} \times C_{OUT}}{R_C}$$

POWER DISSIPATION

The total power dissipation in the ADP5052 simplifies to

$$P_D = P_{BUCK1} + P_{BUCK2} + P_{BUCK3} + P_{BUCK4} + P_{LDO}$$

Buck Regulator Power Dissipation

The power dissipation (P_{LOSS}) for each buck regulator includes power switch conduction losses (P_{COND}), switching losses (P_{SW}), and transition losses (P_{TRAN}). Other sources of power dissipation exist, but these sources are generally less significant at the high output currents of the application thermal limit.

Use the following equation to estimate the power dissipation of the buck regulator:

$$P_{LOSS} = P_{COND} + P_{SW} + P_{TRAN}$$

Power Switch Conduction Loss (P_{COND})

Power switch conduction losses are caused by the flow of output current through both the high-side and low-side power switches, each of which has its own internal on resistance ($R_{DS(on)}$).

Use the following equation to estimate the power switch conduction loss:

$$P_{COND} = (R_{DS(on)HS} \times D + R_{DS(on)LS} \times (1 - D)) \times I_{OUT}^2$$

where:

$R_{DS(on)HS}$ is the on resistance of the high-side MOSFET.

$R_{DS(on)LS}$ is the on resistance of the low-side MOSFET.

D is the duty cycle ($D = V_{OUT}/V_{IN}$).

Switching Loss (P_{SW})

Switching losses are associated with the current drawn by the driver to turn the power devices on and off at the switching frequency. Each time a power device gate is turned on or off, the driver transfers a charge from the input supply to the gate, and then from the gate to ground. Use the following equation to estimate the switching loss:

$$P_{SW} = (C_{GATE_HS} + C_{GATE_LS}) \times V_{IN}^2 \times f_{SW}$$

where:

C_{GATE_HS} is the gate capacitance of the high-side MOSFET.

C_{GATE_LS} is the gate capacitance of the low-side MOSFET.

f_{SW} is the switching frequency.

Transition Loss (P_{TRAN})

Transition losses occur because the high-side MOSFET cannot turn on or off instantaneously. During a switch node transition, the MOSFET provides all the inductor current. The source-to-drain voltage of the MOSFET is half the input voltage, resulting in power loss. Transition losses increase with both load and input voltage and occur twice for each switching cycle. Use the following equation to estimate the transition loss:

$$P_{TRAN} = 0.5 \times V_{IN} \times I_{OUT} \times (t_R + t_F) \times f_{SW}$$

where:

t_R is the rise time of the switch node.

t_F is the fall time of the switch node.

Thermal Shutdown

Channel 1 and Channel 2 store the value of the inductor current only during the on time of the internal high-side MOSFET. Therefore, a small amount of power (as well as a small amount of input rms current) is dissipated inside the [ADP5052](#), which reduces thermal constraints.

However, when Channel 1 and Channel 2 are operating under maximum load with high ambient temperature and high duty cycle, the input rms current can become very large and cause the junction temperature to exceed the maximum junction temperature of 125°C. If the junction temperature exceeds 150°C, the regulator enters thermal shutdown and recovers when the junction temperature falls below 135°C.

LDO Regulator Power Dissipation

The power dissipation of the LDO regulator is given by the following equation:

$$P_{LDO} = [(V_{IN} - V_{OUT}) \times I_{OUT}] + (V_{IN} \times I_{GND})$$

where:

V_{IN} and V_{OUT} are the input and output voltages of the LDO regulator.

I_{OUT} is the load current of the LDO regulator.

I_{GND} is the ground current of the LDO regulator.

Power dissipation due to the ground current is small in the [ADP5052](#) and can be ignored.

JUNCTION TEMPERATURE

The junction temperature of the die is the sum of the ambient temperature of the environment and the temperature rise of the package due to power dissipation, as shown in the following equation:

$$T_J = T_A + T_R$$

where:

T_J is the junction temperature.

T_A is the ambient temperature.

T_R is the rise in temperature of the package due to power dissipation.

The rise in temperature of the package is directly proportional to the power dissipation in the package. The proportionality constant for this relationship is the thermal resistance from the junction of the die to the ambient temperature, as shown in the following equation:

$$T_R = \theta_{JA} \times P_D$$

where:

T_R is the rise in temperature of the package.

θ_{JA} is the thermal resistance from the junction of the die to the ambient temperature of the package (see Table 6).

P_D is the power dissipation in the package.

An important factor to consider is that the thermal resistance value is based on a 4-layer, 4 inch × 3 inch PCB with 2.5 oz. of copper, as specified in the JEDEC standard, whereas real-world applications may use PCBs with different dimensions and a different number of layers.

It is important to maximize the amount of copper used to remove heat from the device. Copper exposed to air dissipates heat better than copper used in the inner layers. Connect the exposed pad to the ground plane with several vias.

DESIGN EXAMPLE

This section provides an example of the step-by-step design procedures and the external components required for Channel 1. Table 13 lists the design requirements for this example.

Table 13. Example Design Requirements for Channel 1

| Parameter | Specification |
|----------------|--|
| Input Voltage | $V_{PVIN1} = 12\text{ V} \pm 5\%$ |
| Output Voltage | $V_{OUT1} = 1.2\text{ V}$ |
| Output Current | $I_{OUT1} = 4\text{ A}$ |
| Output Ripple | $\Delta V_{OUT1_RIPPLE} = 12\text{ mV}$ in CCM mode |
| Load Transient | $\pm 5\%$ at 20% to 80% load transient, $1\text{ A}/\mu\text{s}$ |

Although this example shows step-by-step design procedures for Channel 1, the procedures apply to all other buck regulator channels (Channel 2 to Channel 4).

SETTING THE SWITCHING FREQUENCY

The first step is to determine the switching frequency for the ADP5052 design. In general, higher switching frequencies produce a smaller solution size due to the lower component values required, whereas lower switching frequencies result in higher conversion efficiency due to lower switching losses.

The switching frequency of the ADP5052 can be set to a value from 250 kHz to 1.4 MHz by connecting a resistor from the RT pin to ground. The selected resistor allows the user to make decisions based on the trade-off between efficiency and solution size. (For more information, see the Oscillator section.) However, the highest supported switching frequency must be assessed by checking the voltage conversion limitations enforced by the minimum on time and the minimum off time (see the Voltage Conversion Limitations section).

In this design example, a switching frequency of 600 kHz is used to achieve a good combination of small solution size and high conversion efficiency. To set the switching frequency to 600 kHz, use the following equation to calculate the resistor value, R_{RT} :

$$R_{RT} (\text{k}\Omega) = [14,822/f_{sw} (\text{kHz})]^{1.081}$$

Therefore, select standard resistor $R_{RT} = 31.6\text{ k}\Omega$.

SETTING THE OUTPUT VOLTAGE

Select a $10\text{ k}\Omega$ bottom resistor (R_{BOT}) and then calculate the top feedback resistor using the following equation:

$$R_{BOT} = R_{TOP} \times (V_{REF}/(V_{OUT} - V_{REF}))$$

where:

V_{REF} is 0.8 V for Channel 1.

V_{OUT} is the output voltage.

To set the output voltage to 1.2 V, choose the following resistor values: $R_{TOP} = 4.99\text{ k}\Omega$, $R_{BOT} = 10\text{ k}\Omega$.

SETTING THE CURRENT LIMIT

For 4 A output current operation, the typical peak current limit is 6.44 A. For this example, choose $R_{LIM1} = 22\text{ k}\Omega$ (see Table 10). For more information, see the Current-Limit Protection section.

SELECTING THE INDUCTOR

The peak-to-peak inductor ripple current, ΔI_L , is set to 35% of the maximum output current. Use the following equation to estimate the value of the inductor:

$$L = [(V_{IN} - V_{OUT}) \times D]/(\Delta I_L \times f_{sw})$$

where:

$V_{IN} = 12\text{ V}$.

$V_{OUT} = 1.2\text{ V}$.

D is the duty cycle ($D = V_{OUT}/V_{IN} = 0.1$).

$\Delta I_L = 35\% \times 4\text{ A} = 1.4\text{ A}$.

$f_{sw} = 600\text{ kHz}$.

The resulting value for L is $1.28\text{ }\mu\text{H}$. The closest standard inductor value is $1.5\text{ }\mu\text{H}$; therefore, the inductor ripple current, ΔI_L , is 1.2 A.

The peak inductor current is calculated using the following equation:

$$I_{PEAK} = I_{OUT} + (\Delta I_L/2)$$

The calculated peak current for the inductor is 4.6 A.

The rms current of the inductor can be calculated using the following equation:

$$I_{RMS} = \sqrt{I_{OUT}^2 + \frac{\Delta I_L^2}{12}}$$

The rms current of the inductor is approximately 4.02 A.

Therefore, an inductor with a minimum rms current rating of 4.02 A and a minimum saturation current rating of 4.6 A is required. However, to prevent the inductor from reaching its saturation point in current-limit conditions, it is recommended that the inductor saturation current be higher than the maximum peak current limit, typically 7.48 A, for reliable operation.

Based on these requirements and recommendations, the TOKO FDV0530-1R5, with a DCR of $13.5\text{ m}\Omega$, is selected for this design.

SELECTING THE OUTPUT CAPACITOR

The output capacitor must meet the output voltage ripple and load transient requirements. To meet the output voltage ripple requirement, use the following equations to calculate the ESR and capacitance:

$$C_{OUT_RIPPLE} = \frac{\Delta I_L}{8 \times f_{SW} \times \Delta V_{OUT_RIPPLE}}$$

$$R_{ESR} = \frac{\Delta V_{OUT_RIPPLE}}{\Delta I_L}$$

The calculated capacitance, C_{OUT_RIPPLE} , is 20.8 μF , and the calculated R_{ESR} is 10 $\text{m}\Omega$.

To meet the $\pm 5\%$ overshoot and undershoot requirements, use the following equations to calculate the capacitance:

$$C_{OUT_UV} = \frac{K_{UV} \times \Delta I_{STEP}^2 \times L}{2 \times (V_{IN} - V_{OUT}) \times \Delta V_{OUT_UV}}$$

$$C_{OUT_OV} = \frac{K_{OV} \times \Delta I_{STEP}^2 \times L}{(V_{OUT} + \Delta V_{OUT_OV})^2 - V_{OUT}^2}$$

For estimation purposes, use $K_{OV} = K_{UV} = 2$; therefore, $C_{OUT_OV} = 117 \mu\text{F}$ and $C_{OUT_UV} = 13.3 \mu\text{F}$.

The ESR of the output capacitor must be less than 13.3 $\text{m}\Omega$, and the output capacitance must be greater than 117 μF . It is recommended that three ceramic capacitors be used (47 μF , X5R, 6.3 V), such as the GRM21BR60J476ME15 from Murata with an ESR of 2 $\text{m}\Omega$.

SELECTING THE LOW-SIDE MOSFET

A low $R_{DS(on)}$ N-channel MOSFET must be selected for high efficiency solutions. The MOSFET breakdown voltage (V_{DS}) must be greater than $1.2 \times V_{IN}$, and the drain current must be greater than $1.2 \times I_{LIMIT_MAX}$.

It is recommended that a 20 V, dual N-channel MOSFET—such as the Si7232DN from Vishay—be used for both Channel 1 and Channel 2. The $R_{DS(on)}$ of the Si7232DN at 4.5 V driver voltage is 16.4 $\text{m}\Omega$, and the total gate charge is 12 nC.

DESIGNING THE COMPENSATION NETWORK

For better load transient and stability performance, set the cross frequency, f_C , to $f_{SW}/10$. In this example, f_{SW} is set to 600 kHz; therefore, f_C is set to 60 kHz.

For the 1.2 V output rail, the 47 μF ceramic output capacitor has a derated value of 40 μF .

$$R_C = \frac{2 \times \pi \times 1.2 \text{ V} \times 3 \times 40 \mu\text{F} \times 60 \text{ kHz}}{0.8 \text{ V} \times 470 \mu\text{S} \times 10 \text{ A/V}} = 14.4 \text{ k}\Omega$$

$$C_C = \frac{(0.3 \Omega + 0.001 \Omega) \times 3 \times 40 \mu\text{F}}{14.4 \text{ k}\Omega} = 2.51 \text{ nF}$$

$$C_{CP} = \frac{0.001 \Omega \times 3 \times 40 \mu\text{F}}{14.4 \text{ k}\Omega} = 8.3 \text{ pF}$$

Choose standard components: $R_C = 15 \text{ k}\Omega$ and $C_C = 2.7 \text{ nF}$. C_{CP} is optional.

Figure 50 shows the Bode plot for the 1.2 V output rail. The cross frequency is 62 kHz, and the phase margin is 58°. Figure 51 shows the load transient waveform.

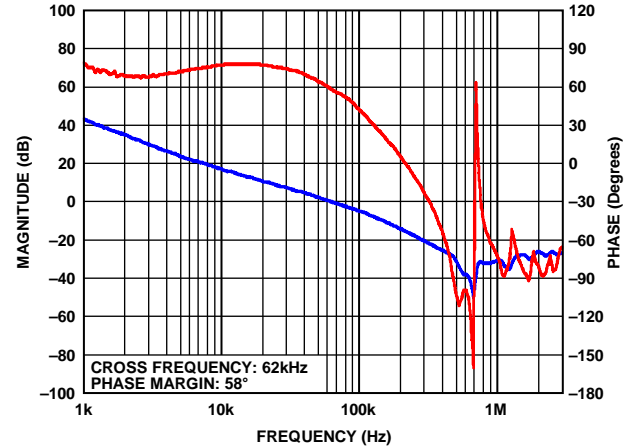


Figure 50. Bode Plot for 1.2 V Output

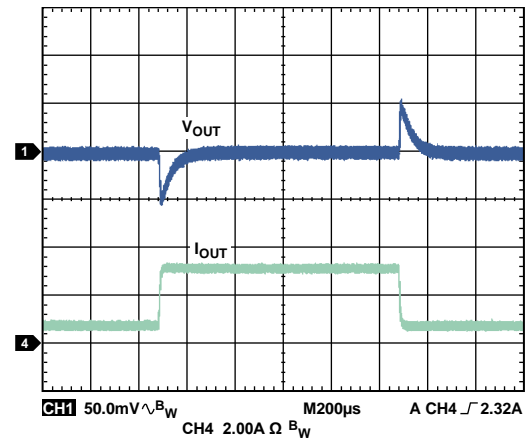


Figure 51. 0.8 A to 3.2 A Load Transient for 1.2 V Output

SELECTING THE SOFT START TIME

The soft start feature allows the output voltage to ramp up in a controlled manner, eliminating output voltage overshoot during soft start and limiting the inrush current.

The SS12 pin can be used to program a soft start time of 2 ms, 4 ms, or 8 ms and can also be used to configure parallel operation of Channel 1 and Channel 2. For more information, see the Soft Start section and Table 9.

SELECTING THE INPUT CAPACITOR

For the input capacitor, select a ceramic capacitor with a minimum value of 10 μF ; place the input capacitor close to the PVIN1 pin. In this example, one 10 μF , X5R, 25 V ceramic capacitor is recommended.

RECOMMENDED EXTERNAL COMPONENTS

Table 14 lists the recommended external components for 4 A applications used with Channel 1 and Channel 2 of the ADP5052.

Table 15 lists the recommended external components for 1.2 A applications used with Channel 3 and Channel 4.

Table 14. Recommended External Components for Typical 4 A Applications, Channel 1 and Channel 2
(±1% Output Ripple, ±7.5% Tolerance at ~60% Step Transient)

| f _{sw} (kHz) | I _{OUT} (A) | V _{IN} (V) | V _{OUT} (V) | L (μH) | C _{OUT} (μF) | R _{TOP} (kΩ) | R _{BOT} (kΩ) | R _C (kΩ) | C _C (pF) | Dual FET |
|-----------------------|----------------------|---------------------|----------------------|--------|-----------------------|-----------------------|-----------------------|---------------------|---------------------|----------|
| 300 | 4 | 12 (or 5) | 1.2 | 3.3 | 2 × 100 ¹ | 4.99 | 10 | 10 | 4700 | Si7232DN |
| | | 12 (or 5) | 1.5 | 3.3 | 2 × 100 ¹ | 8.87 | 10.2 | 10 | 4700 | Si7232DN |
| | | 12 (or 5) | 1.8 | 3.3 | 3 × 47 ² | 12.7 | 10.2 | 6.81 | 4700 | Si7232DN |
| | | 12 (or 5) | 2.5 | 4.7 | 3 × 47 ² | 21.5 | 10.2 | 10 | 4700 | Si7232DN |
| | | 12 (or 5) | 3.3 | 6.8 | 3 × 47 ² | 31.6 | 10.2 | 10 | 4700 | Si7232DN |
| | | 12 | 5.0 | 6.8 | 47 ³ | 52.3 | 10 | 4.7 | 4700 | Si7232DN |
| 600 | 4 | 12 (or 5) | 1.2 | 1.5 | 2 × 47 ² | 4.99 | 10 | 10 | 2700 | Si7232DN |
| | | 12 (or 5) | 1.5 | 1.5 | 2 × 47 ² | 8.87 | 10.2 | 10 | 2700 | Si7232DN |
| | | 12 (or 5) | 1.8 | 2.2 | 2 × 47 ² | 12.7 | 10.2 | 10 | 2700 | Si7232DN |
| | | 12 (or 5) | 2.5 | 2.2 | 2 × 47 ² | 21.5 | 10.2 | 10 | 2700 | Si7232DN |
| | | 12 (or 5) | 3.3 | 3.3 | 2 × 47 ² | 31.6 | 10.2 | 15 | 2700 | Si7232DN |
| | | 12 | 5.0 | 3.3 | 47 ³ | 52.3 | 10 | 10 | 2700 | Si7232DN |
| 1000 | 4 | 5 | 1.2 | 1.0 | 2 × 47 ² | 4.99 | 10 | 15 | 1500 | Si7232DN |
| | | 5 | 1.5 | 1.0 | 2 × 47 ² | 8.87 | 10.2 | 15 | 1500 | Si7232DN |
| | | 12 (or 5) | 1.8 | 1.0 | 47 ² | 12.7 | 10.2 | 10 | 1500 | Si7232DN |
| | | 12 (or 5) | 2.5 | 1.5 | 47 ² | 21.5 | 10.2 | 10 | 1500 | Si7232DN |
| | | 12 (or 5) | 3.3 | 1.5 | 47 ² | 31.6 | 10.2 | 10 | 1500 | Si7232DN |
| | | 12 | 5.0 | 2.2 | 47 ³ | 52.3 | 10 | 15 | 1500 | Si7232DN |

¹ 100 μF capacitor: Murata GRM31CR60J107ME39 (6.3 V, X5R, 1206).

² 47 μF capacitor: Murata GRM21BR60J476ME15 (6.3 V, X5R, 0805).

³ 47 μF capacitor: Murata GRM31CR61A476ME15 (10 V, X5R, 1206).

Table 15. Recommended External Components for Typical 1.2 A Applications, Channel 3 and Channel 4
(±1% Output Ripple, ±7.5% Tolerance at ~60% Step Transient)

| f _{sw} (kHz) | I _{OUT} (A) | V _{IN} (V) | V _{OUT} (V) | L (μH) | C _{OUT} (μF) | R _{TOP} (kΩ) | R _{BOT} (kΩ) | R _C (kΩ) | C _C (pF) |
|-----------------------|----------------------|---------------------|----------------------|--------|-----------------------|-----------------------|-----------------------|---------------------|---------------------|
| 300 | 1.2 | 12 (or 5) | 1.2 | 10 | 2 × 22 ¹ | 4.99 | 10 | 6.81 | 4700 |
| | | 12 (or 5) | 1.5 | 10 | 2 × 22 ¹ | 8.87 | 10.2 | 6.81 | 4700 |
| | | 12 (or 5) | 1.8 | 15 | 2 × 22 ¹ | 12.7 | 10.2 | 6.81 | 4700 |
| | | 12 (or 5) | 2.5 | 15 | 2 × 22 ¹ | 21.5 | 10.2 | 6.81 | 4700 |
| | | 12 (or 5) | 3.3 | 22 | 2 × 22 ¹ | 31.6 | 10.2 | 6.81 | 4700 |
| | | 12 | 5.0 | 22 | 22 ² | 52.3 | 10 | 6.81 | 4700 |
| 600 | 1.2 | 12 (or 5) | 1.2 | 4.7 | 22 ¹ | 4.99 | 10 | 6.81 | 2700 |
| | | 12 (or 5) | 1.5 | 6.8 | 22 ¹ | 8.87 | 10.2 | 6.81 | 2700 |
| | | 12 (or 5) | 1.8 | 6.8 | 22 ¹ | 12.7 | 10.2 | 6.81 | 2700 |
| | | 12 (or 5) | 2.5 | 10 | 22 ¹ | 21.5 | 10.2 | 6.81 | 2700 |
| | | 12 (or 5) | 3.3 | 10 | 22 ¹ | 31.6 | 10.2 | 6.81 | 2700 |
| | | 12 | 5.0 | 10 | 22 ² | 52.3 | 10 | 6.81 | 2700 |
| 1000 | 1.2 | 5 | 1.2 | 2.2 | 22 ¹ | 4.99 | 10 | 10 | 1800 |
| | | 12 (or 5) | 1.5 | 3.3 | 22 ¹ | 8.87 | 10.2 | 10 | 1800 |
| | | 12 (or 5) | 1.8 | 4.7 | 22 ¹ | 12.7 | 10.2 | 10 | 1800 |
| | | 12 (or 5) | 2.5 | 4.7 | 22 ¹ | 21.5 | 10.2 | 10 | 1800 |
| | | 12 (or 5) | 3.3 | 6.8 | 22 ¹ | 31.6 | 10.2 | 10 | 1800 |
| | | 12 | 5.0 | 6.8 | 22 ² | 52.3 | 10 | 15 | 1800 |

¹ 22 μF capacitor: Murata GRM188R60J226MEA0 (6.3 V, X5R, 0603).

² 22 μF capacitor: Murata GRM219R61A226MEA0 (10 V, X5R, 0805).

CIRCUIT BOARD LAYOUT RECOMMENDATIONS

Good circuit board layout is essential to obtain the best performance from the ADP5052 (see Figure 53). Poor layout can affect the regulation and stability of the part, as well as the electromagnetic interference (EMI) and electromagnetic compatibility (EMC) performance. Refer to the following guidelines for a good PCB layout.

- Place the input capacitor, inductor, MOSFET, output capacitor, and bootstrap capacitor close to the IC.
- Use short, thick traces to connect the input capacitors to the PVINx pins, and use dedicated power ground to connect the input and output capacitor grounds to minimize the connection length.
- Use several high current vias, if required, to connect PVINx, PGNDx, and SWx to other power planes.
- Use short, thick traces to connect the inductors to the SWx pins and the output capacitors.
- Ensure that the high current loop traces are as short and wide as possible. Figure 52 shows the high current path.
- Maximize the amount of ground metal for the exposed pad, and use as many vias as possible on the component side to improve thermal dissipation.

- Use a ground plane with several vias connecting to the component side ground to further reduce noise interference on sensitive circuit nodes.
- Place the decoupling capacitors close to the VREG and VDD pins.
- Place the frequency setting resistor close to the RT pin.
- Place the feedback resistor divider close to the FBx pin. In addition, keep the FBx traces away from the high current traces and the switch node to avoid noise pickup.
- Use Size 0402 or 0603 resistors and capacitors to achieve the smallest possible footprint solution on boards where space is limited.

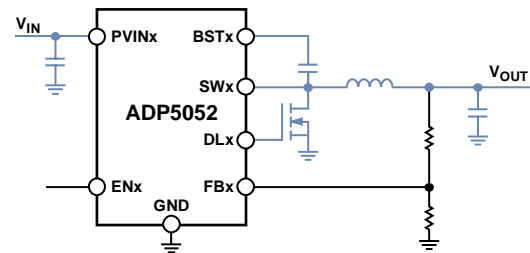


Figure 52. Typical Circuit with High Current Traces Shown in Blue

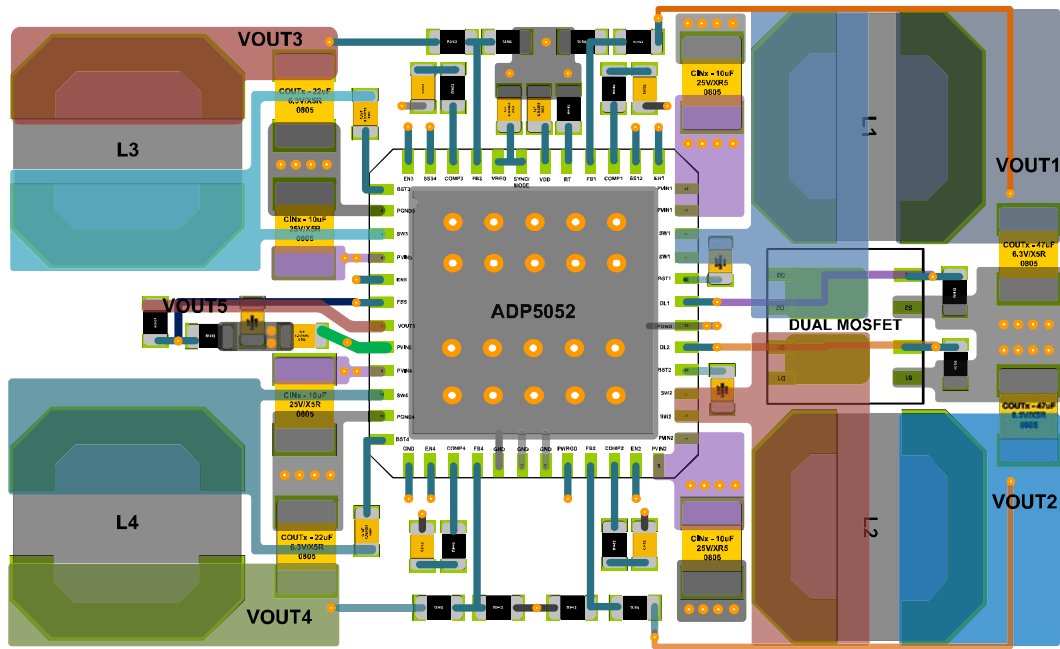


Figure 53. Typical PCB Layout for the ADP5052

TYPICAL APPLICATION CIRCUITS

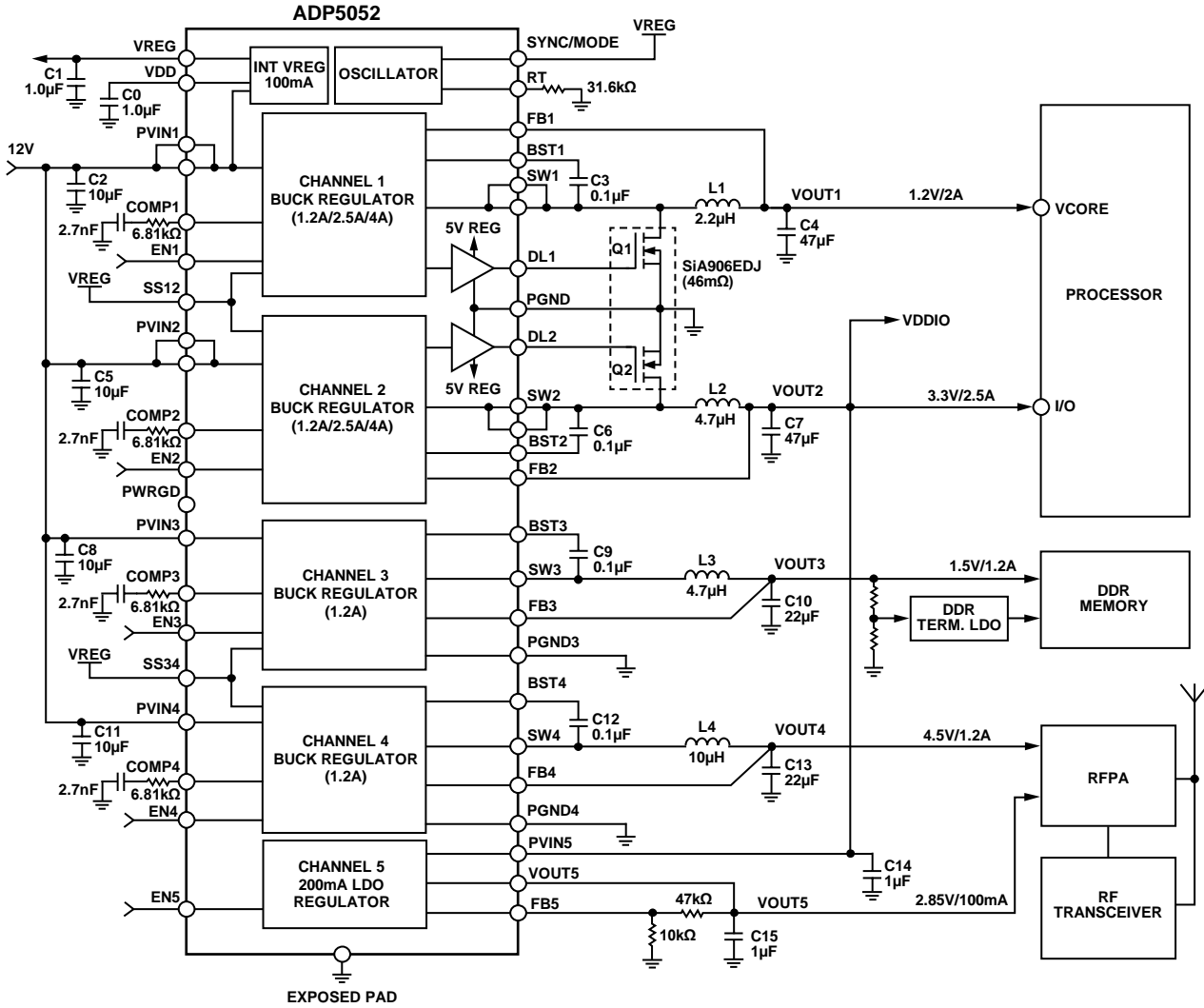


Figure 54. Typical Femtocell Application, 600 kHz Switching Frequency, Fixed Output Model

10900-056

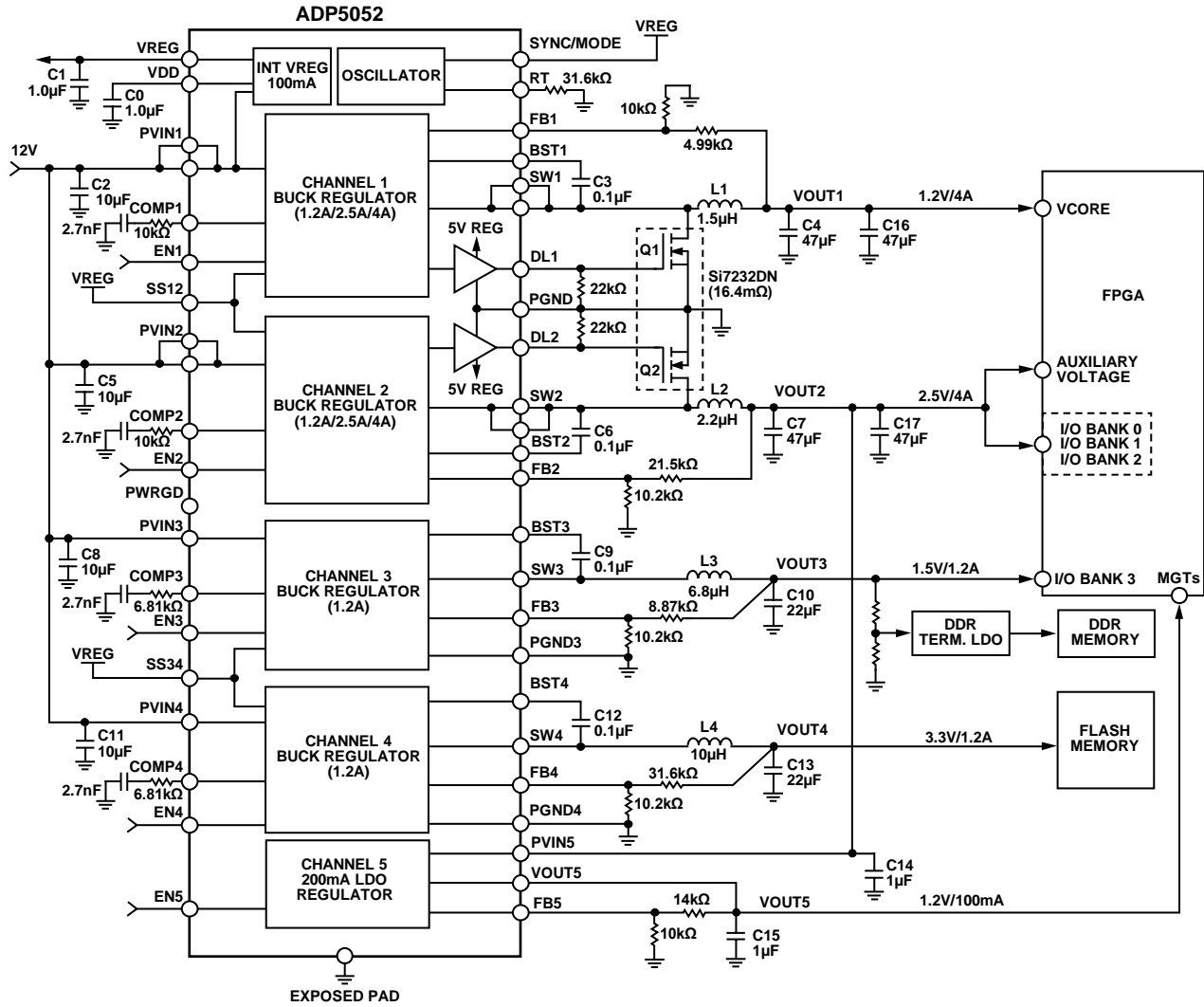
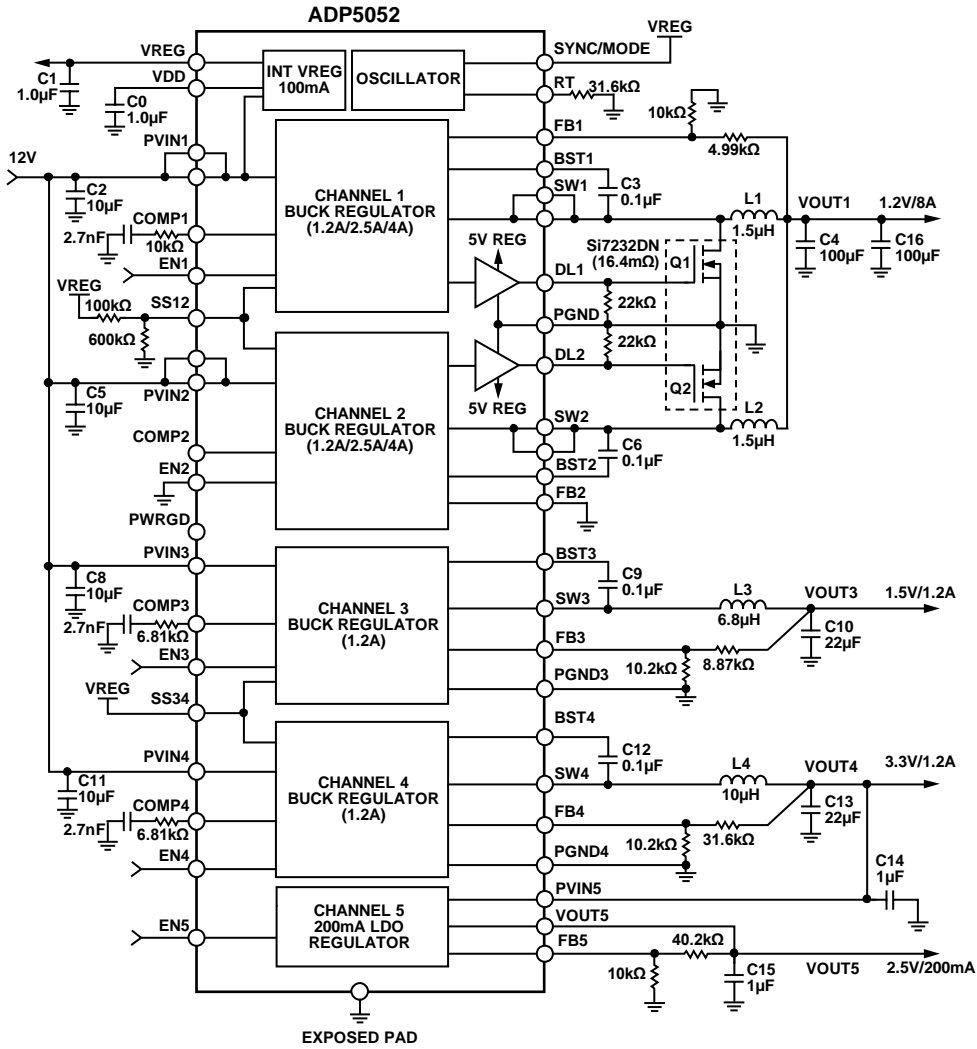


Figure 55. Typical FPGA Application, 600 kHz Switching Frequency, Adjustable Output Model

10900-057



10900-165

Figure 56. Typical Channel 1/Channel 2 Parallel Output Application, 600 kHz Switching Frequency, Adjustable Output Model

FACTORY DEFAULT OPTIONS

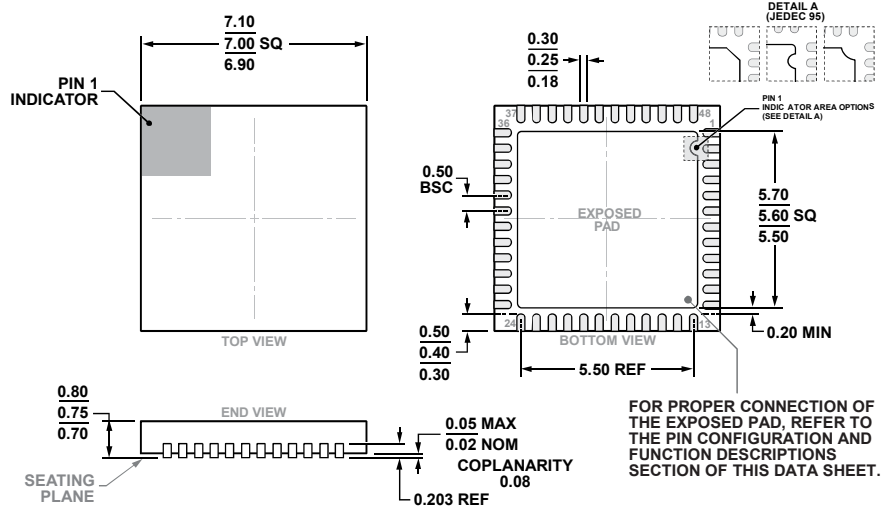
Table 16 lists the factory default options programmed into the [ADP5052](#) when the device is ordered (see the Ordering Guide).

Table 16. Factory Default Options

| Option | Default Value |
|--|--|
| Channel 1 Output Voltage | 0.8 V adjustable output |
| Channel 2 Output Voltage | 0.8 V adjustable output |
| Channel 3 Output Voltage | 0.8 V adjustable output |
| Channel 4 Output Voltage | 0.8 V adjustable output |
| PWRGD Pin (Pin 20) Output ¹ | Monitor Channel 1 output |
| Output Discharge Function | Enabled for all four buck regulators |
| Switching Frequency on Channel 1 | 1 × switching frequency set by the RT pin |
| Switching Frequency on Channel 3 | 1 × switching frequency set by the RT pin |
| SYNC/MODE Pin (Pin 43) Function | Forced PWM/automatic PWM/PSM mode setting with the ability to synchronize to an external clock |
| Hiccup Protection | Enabled for overcurrent events |
| Short-Circuit Latch-Off Function | Disabled for output short-circuit events |
| Overvoltage Latch-Off Function | Disabled for output overvoltage events |

¹ Other PWRGD factory options include “Monitor Channel 1, Channel 2, Channel 3, and Channel 4 outputs”.

OUTLINE DIMENSIONS



COMPLIANT TO JEDEC STANDARDS MO-220-WKKD-4.

Figure 57. 48-Lead Lead Frame Chip Scale Package [LFCSP]
7 mm × 7 mm Body and 0.75 mm Package Height
(CP-48-13)
Dimensions shown in millimeters

ORDERING GUIDE

| Model ¹ | Temperature Range | Package Description | Package Option ² |
|--------------------|-------------------|---|-----------------------------|
| ADP5052ACPZ-R7 | -40°C to +125°C | 48-Lead Lead Frame Chip Scale Package [LFCSP] | CP-48-13 |
| ADP5052-EVALZ | | Evaluation Board | |

¹ Z = RoHS Compliant Part.

² Table 16 lists the factory default options for the device.