

## FEATURES

### APIX2 receiver with HDCP

High-bandwidth Digital Content Protection (HDCP) 1.4 support with internal preprogrammed HDCP keys HDCP decryption of video and audio

HDCP repeater support

Supports 2 independent video streams

One TDM channel with support for up to 4 stereo pairs

Up to 3000 Mbps sustained downstream link bandwidth

Up to 187.5 Mbps upstream link bandwidth

Media independent interface (MII), serial port interface (SPI), I<sup>2</sup>C, and GPIO interfaces for sideband communication

### LVDS receiver (OpenLDI)

85 MHz maximum clock frequency

Maximum resolution supported is WXGA

Supports receiving video in both 24-bit mode over 4 differential pairs, and 18-bit mode over 3 differential pairs

### Dual MIPI CSI 2.0 transmitters

MIPI-A: clock and 4 data lanes

MIPI-B: clock and 2 data lanes

### Video processing

Color space conversion

4:2:2 to 4:4:4 interpolation

### Software driver

MISRA-C compliant software driver for automotive acceptability

### General

Qualified for automotive applications

-40°C to +85°C temperature grade

100-ball, 9 mm × 9 mm, RoHS-compliant CSP\_BGA package

## APPLICATIONS

Automotive high end head unit

Automotive infotainment

Portable devices

The approved use of the **ADV7782** device is limited to use cases where the **ADV7782** data output is directly input to a processing unit

## GENERAL DESCRIPTION

The **ADV7782** is a receiver that is compatible with an APIX<sup>®</sup> or APIX2<sup>®</sup> serial data stream. The **ADV7782** performs limited processing (color space conversion and interpolation 4:2:2 to 4:4:4), and forwards the data via MIPI<sup>®</sup> camera serial interface (CSI). Data from the LVDS input (OpenLDI) can also be routed through the same processing blocks. It supports a point-to-point connection topology, and supports HDCP repeater implementations with a key selection vector (KSV) list memory of 25 entries.

There are three primary video sources: LVDS OpenLDI, APIX Channel 0, and APIX Channel 1. These three primary video streams are input to a video switch matrix. Any two of the three streams can be selected and output from the switch matrix.

Of the two video channels output from the video switch matrix, one output channel is unprocessed, and the other output channel passes through a combination of an interpolation block (4:2:2 to 4:4:4) and a color space converter.

For more information about the **ADV7782**, including the complete data sheet, contact your local Analog Devices, Inc., sales office at [www.analog.com/sales](http://www.analog.com/sales).

## FUNCTIONAL BLOCK DIAGRAM

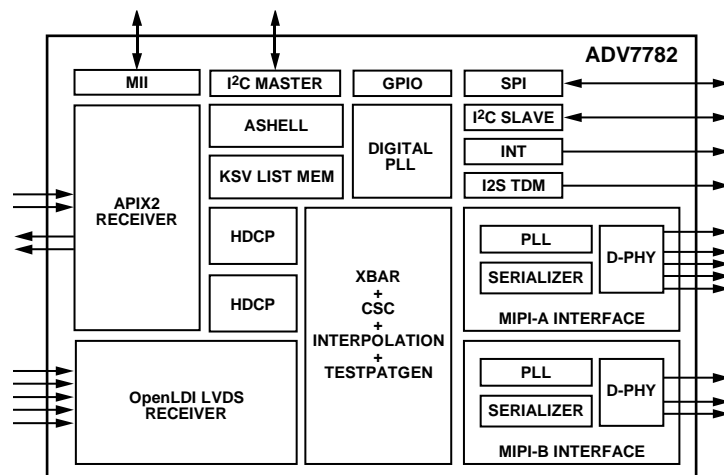


Figure 1.

### Rev. SpA

### Document Feedback

Information furnished by Analog Devices is believed to be accurate and reliable. However, no responsibility is assumed by Analog Devices for its use, nor for any infringements of patents or other rights of third parties that may result from its use. Specifications subject to change without notice. No license is granted by implication or otherwise under any patent or patent rights of Analog Devices. Trademarks and registered trademarks are the property of their respective owners.

# ADV7782\* PRODUCT PAGE QUICK LINKS

Last Content Update: 02/23/2017

---

## COMPARABLE PARTS

View a parametric search of comparable parts.

## DOCUMENTATION

### Data Sheet

- ADV7782: APIX2 Receiver with LVDS, HDCP, and MIPI Support Data Sheet

## DESIGN RESOURCES

- ADV7782 Material Declaration
- PCN-PDN Information
- Quality And Reliability
- Symbols and Footprints

## DISCUSSIONS

View all ADV7782 EngineerZone Discussions.

## SAMPLE AND BUY

Visit the product page to see pricing options.

## TECHNICAL SUPPORT

Submit a technical question or find your regional support number.

## DOCUMENT FEEDBACK

Submit feedback for this data sheet.

---

**NOTES**

APIX® is a registered mark of INOVA Semiconductors GmbH.

I<sup>2</sup>C refers to a communications protocol originally developed by Philips Semiconductors (now NXP Semiconductors).