



Is Now Part of



ON Semiconductor®

To learn more about ON Semiconductor, please visit our website at
www.onsemi.com

Please note: As part of the Fairchild Semiconductor integration, some of the Fairchild orderable part numbers will need to change in order to meet ON Semiconductor's system requirements. Since the ON Semiconductor product management systems do not have the ability to manage part nomenclature that utilizes an underscore (_), the underscore (_) in the Fairchild part numbers will be changed to a dash (-). This document may contain device numbers with an underscore (_). Please check the ON Semiconductor website to verify the updated device numbers. The most current and up-to-date ordering information can be found at www.onsemi.com. Please email any questions regarding the system integration to Fairchild_questions@onsemi.com.

ON Semiconductor and the ON Semiconductor logo are trademarks of Semiconductor Components Industries, LLC dba ON Semiconductor or its subsidiaries in the United States and/or other countries. ON Semiconductor owns the rights to a number of patents, trademarks, copyrights, trade secrets, and other intellectual property. A listing of ON Semiconductor's product/patent coverage may be accessed at www.onsemi.com/site/pdf/Patent-Marking.pdf. ON Semiconductor reserves the right to make changes without further notice to any products herein. ON Semiconductor makes no warranty, representation or guarantee regarding the suitability of its products for any particular purpose, nor does ON Semiconductor assume any liability arising out of the application or use of any product or circuit, and specifically disclaims any and all liability, including without limitation special, consequential or incidental damages. Buyer is responsible for its products and applications using ON Semiconductor products, including compliance with all laws, regulations and safety requirements or standards, regardless of any support or applications information provided by ON Semiconductor. "Typical" parameters which may be provided in ON Semiconductor data sheets and/or specifications can and do vary in different applications and actual performance may vary over time. All operating parameters, including "Typicals" must be validated for each customer application by customer's technical experts. ON Semiconductor does not convey any license under its patent rights nor the rights of others. ON Semiconductor products are not designed, intended, or authorized for use as a critical component in life support systems or any FDA Class 3 medical devices or medical devices with a same or similar classification in a foreign jurisdiction or any devices intended for implantation in the human body. Should Buyer purchase or use ON Semiconductor products for any such unintended or unauthorized application, Buyer shall indemnify and hold ON Semiconductor and its officers, employees, subsidiaries, affiliates, and distributors harmless against all claims, costs, damages, and expenses, and reasonable attorney fees arising out of, directly or indirectly, any claim of personal injury or death associated with such unintended or unauthorized use, even if such claim alleges that ON Semiconductor was negligent regarding the design or manufacture of the part. ON Semiconductor is an Equal Opportunity/Affirmative Action Employer. This literature is subject to all applicable copyright laws and is not for resale in any manner.

FAN73912

High-Current, Half-Bridge, Gate- Driver IC

The FAN73912 is a monolithic half bridge gate-drive IC designed for high-voltage and high-speed driving for MOSFETs and IGBTs that operate up to +1200 V.

The advanced input filter of HIN provides protection against short-pulsed input signals caused by noise.

An advanced level-shift circuit offers high-side gate driver operation up to $V_S = -9.8$ V (typical) for $V_{BS} = 15$ V. The UVLO circuit prevents malfunction when VCC and VBS are lower than the specified threshold voltage.

Output drivers typically source and sink 2 A and 3 A, respectively.

Features

- Floating Channel for Bootstrap Operation to +1200 V
- Typically 2 A/ 3 A Sourcing/Sinking Current Driving Capability for Both Channels
- Gate Driver Supply (VCC) Range from 12 V to 20 V
- Separate Logic Supply (VDD) Range from 3 V to 20 V
- Extended Allowable Negative V_S Swing to -9.8 V for Signal Propagation at $V_{CC} = V_{BS} = 15$ V
- Built-in Cycle-by-Cycle Edge-Triggered Shutdown Logic
- Built-in Shoot-Through Protection Logic
- Common-Mode dv/dt Noise Canceling Circuit
- UVLO Functions for Both Channels
- Built-in Advanced Input Filter
- Matched Propagation Delay Below 50 ns
- Outputs in-Phase with Input Signal
- Logic and Power Ground +/- 10 V Offset

Typical Applications

- Industrial Motor Driver
- UPS
- Solar Inverter
- Ballast
- General-Purpose Half-Bridge Topology.



ON Semiconductor[®]

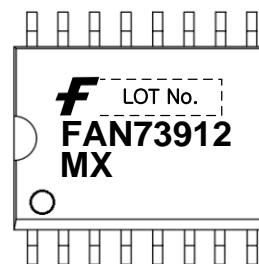
www.onsemi.com

PACKAGE PICTURE



Wide 16-SOIC

MARKING DIAGRAM



ORDERING INFORMATION

Device	Package	Packing Method
FAN73912MX ⁽¹⁾	Wide16-SOIC	Tape & Reel

1. This device passed wave-soldering test by JESD22A-111

FAN73912

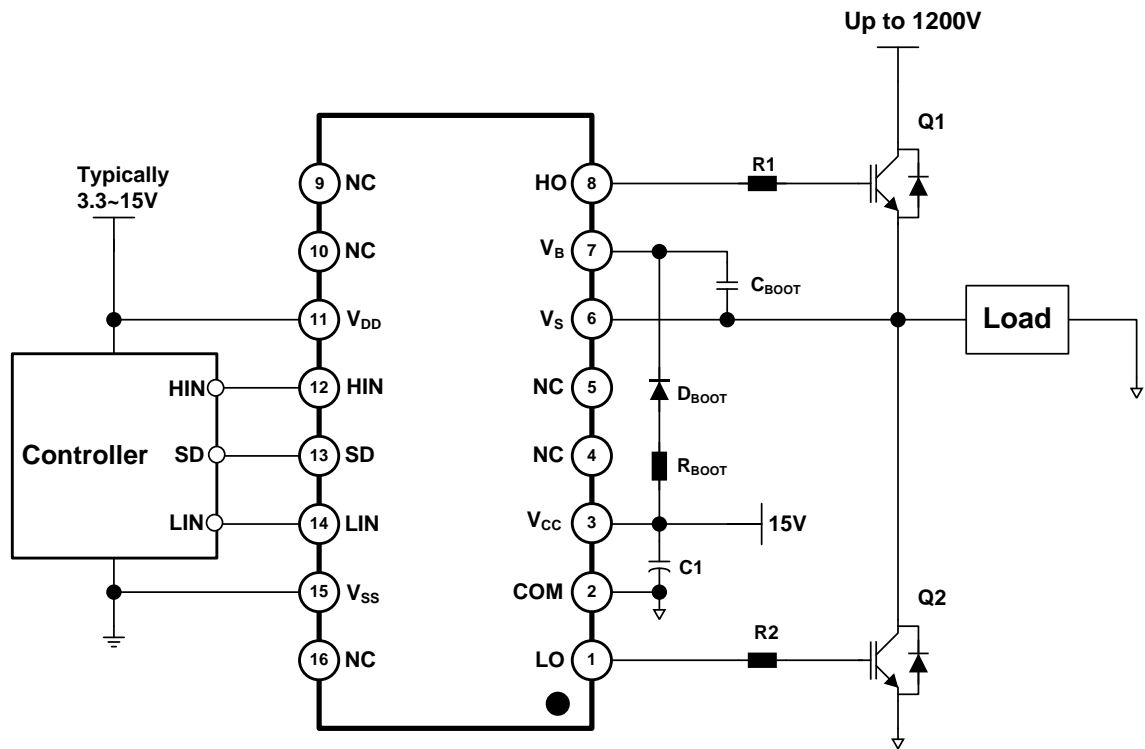


Figure 1. Application Schematic – Adjustable Option

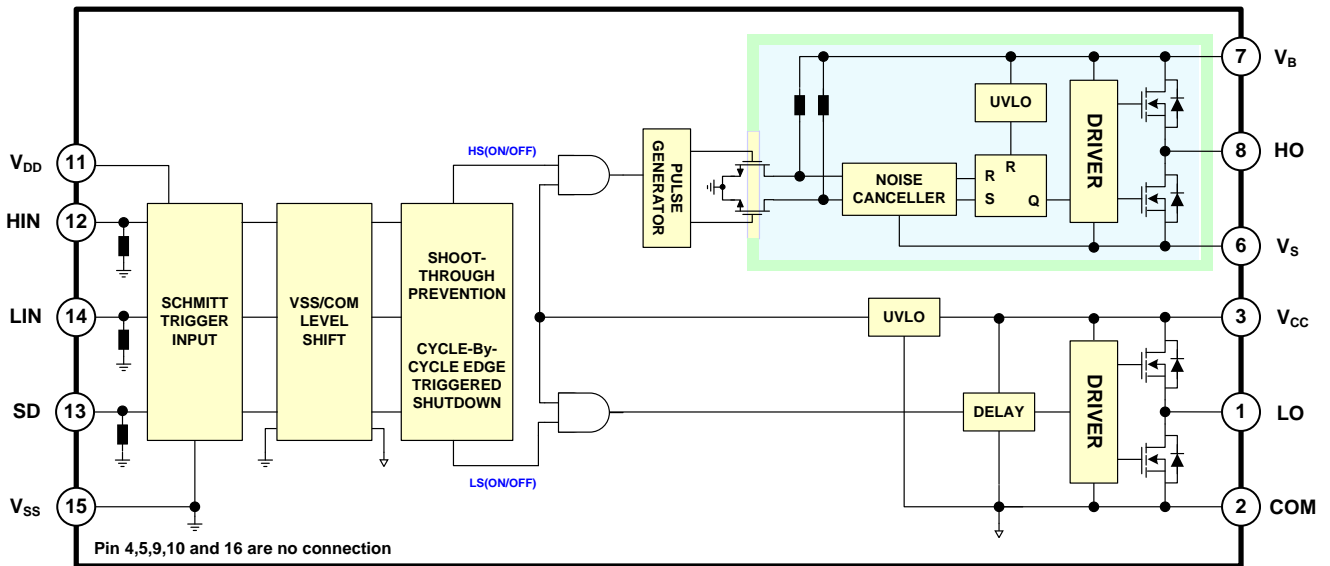


Figure 2. Simplified Block Diagram

FAN73912

PIN CONNECTIONS

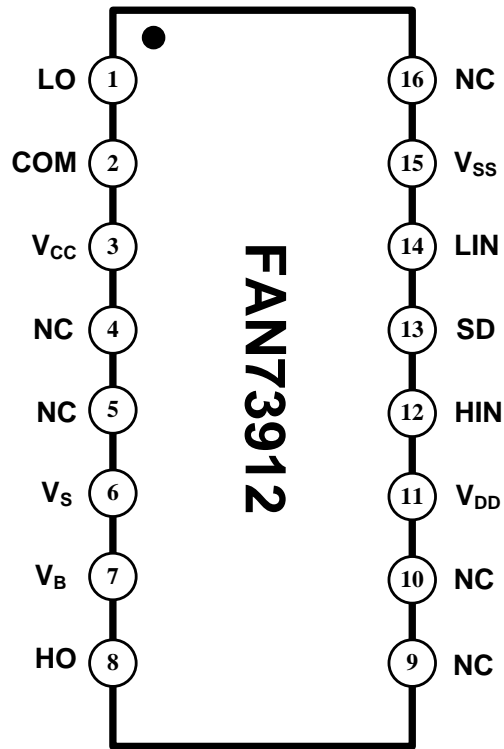


Figure 3 Pin Connections – Wide 16-SOIC (Top View)

PIN FUNCTION DESCRIPTION

Pin No.	Pin Name	Description
1	LO	Low-Side Driver Output
2	COM	Low-Side Driver return
3	VCC	Low-Side Supply Voltage
4	NC	No Connection
5	NC	No Connection
6	V _s	High-Voltage Floating Supply Return
7	V _b	High-Side Floating Supply
8	HO	High-Side Driver Output
9	NC	No Connection
10	NC	No Connection
11	V _{DD}	Logic Supply Voltage
12	HIN	Logic Input for High-Side Gate Driver Output
13	SD	Logic Input for Shutdown
14	LIN	Logic Input for Low-Side Gate Driver Output
15	V _{SS}	Logic Ground
16	NC	No Connection

FAN73912

MAXIMUM RATINGS (Note 2)

$T_A=25^{\circ}\text{C}$, unless otherwise specified. All voltage parameters are referenced to COM unless otherwise stated in the table.

Symbol	Parameter	Min.	Max.	Unit
V_B	High-Side Floating Supply Voltage	-0.3	1225.0	V
V_S	High-Side Floating Offset Voltage	$V_B - 25$	$V_B + 0.3$	V
V_{HO}	High-Side Floating Output Voltage	$V_S - 0.3$	$V_B + 0.3$	V
V_{CC}	Low-Side Supply Voltage	-0.3	25	V
V_{LO}	Low-Side Floating Output Voltage	-0.3	$V_{CC} + 0.3$	V
V_{DD}	Logic Supply Voltage	$V_{SS} - 0.3$	$V_{SS} + 25$	V
V_{SS}	Logic GND	$V_{DD} - 25$	$V_{DD} + 0.3$	V
V_{IN}	Logic Input Voltage (HIN, LIN and SD)	$V_{SS} + V_{DD} - 25.3$	$V_{DD} + 0.3$	V
dV_S/dt	Allowable Offset Voltage Slew Rate		± 50	V/ns
P_D (Note 3, 4, 5)	Power Dissipation		1.3	W
θ_{JA}	Thermal Resistance		95	$^{\circ}\text{C/W}$
T_J	Junction Temperature		150	$^{\circ}\text{C}$
T_{STG}	Storage Temperature	-55	150	$^{\circ}\text{C}$

- Stresses exceeding those listed in the Maximum Ratings table may damage the device. If any of these limits are exceeded, device functionality should not be assumed, damage may occur and reliability may be affected.
- Mounted on 76.2 x 114.3 x 1.6 mm PCB (FR-4 glass epoxy material).
- Refer to the following standards:
JESD51-2: Integral circuit's thermal test method environmental conditions, natural convection;
JESD51-3: Low effective thermal conductivity test board for leaded surface-mount packages.
- Do not exceed maximum power dissipation (P_D) under any circumstances.

RECOMMENDED OPERATING CONDITIONS

All voltage parameters are referenced to COM.

Symbol	Parameter	Min.	Max.	Unit
V_B	High-Side Floating Supply Voltage	$V_S + 12$	$V_S + 20$	V
V_S	High-Side Floating Supply Offset Voltage	$8 - V_{CC}$	1200	V
V_{HO}	High-Side (HO) Output Voltage	V_S	V_B	V
V_{CC}	Low-Side Supply Voltage	12	20	V
V_{LO}	Low-Side (LO) Output Voltage	0	V_{CC}	V
V_{DD}	Logic Supply Voltage	$V_{SS} + 3$	$V_{SS} + 20$	V
V_{SS}	Logic Ground (Note 6)	-10	10	V
V_{IN}	Logic Input Voltage (HIN, LIN, SD)	$V_{SS} + V_{DD} - 20$	V_{DD}	V
T_A	Ambient Temperature	-40	+125	$^{\circ}\text{C}$

- When $V_{DD} < 10\text{ V}$, the minimum V_{SS} offset is limited to $-V_{DD}$.

FAN73912

STATIC ELECTRICAL CHARACTERISTICS

$V_{BIAS}(V_{CC}, V_{BS}, V_{DD}) = 15.0\text{ V}$, $T_A = 25\text{ }^\circ\text{C}$, unless otherwise specified. The V_{IH} , V_{IL} and I_{IN} parameters are referenced to V_{SS} and are applicable to respective input leads: HIN, LIN and SD. The V_O and I_O parameters are referenced to V_S and COM and are applicable to the respective output leads: HO and LO. The V_{DDUV} parameters are referenced to COM. The V_{BSUV} parameters are referenced to $V_{S1,2,3}$.

Symbol	Parameter	Condition	Min.	Typ.	Max.	Unit
LOW-SIDE POWER SUPPLY SECTION						
I_{OCC}	Quiescent V_{CC} Supply Current	$V_{IN}=0\text{ V or }V_{DD}$		170	300	μA
I_{ODD}	Quiescent V_{DD} Supply Current	$V_{IN}=0\text{ V or }V_{DD}$			10	μA
I_{PCC}	Operating V_{CC} Supply Current	$f_{IN}=20\text{ kHz, rms }V_{IN}=15V_{PP}$		650	950	μA
I_{PDD}	Operating V_{DD} Supply Current	$f_{IN}=20\text{ kHz, rms }V_{IN}=15V_{PP}$		2		μA
I_{SD}	Shutdown Supply Current	$S_D=V_{DD}$		30	50	μA
V_{CCUV+}	V_{CC} Supply Under-Voltage Positive-Going Threshold Voltage	$V_{CC}=\text{Sweep}$	9.7	11.0	12	V
V_{CCUV-}	V_{CC} Supply Under-Voltage Negative-Going Threshold Voltage	$V_{CC}=\text{Sweep}$	9.2	10.5	11.4	V
V_{CCUVH}	V_{CC} Supply Under-Voltage Lockout Hysteresis Voltage	$V_{CC}=\text{Sweep}$		0.5		V
BOOTSTRAPPED SUPPLY SECTION						
I_{OBS}	Quiescent V_{BS} Supply Current	$V_{IN}=0\text{ V or }V_{DD}$		50	100	μA
I_{PBS}	Operating V_{BS} Supply Current	$f_{IN}=20\text{ kHz, rms value}$		550	850	μA
V_{BSUV+}	V_{BS} Supply Under-Voltage Positive-Going Threshold Voltage	$V_{BS}=\text{Sweep}$	9.7	11.0	12.0	V
V_{BSUV-}	V_{BS} Supply Under-Voltage Negative-Going Threshold Voltage	$V_{BS}=\text{Sweep}$	9.2	10.5	11.4	V
V_{BSUVH}	V_{BS} Supply Under-Voltage Lockout Hysteresis Voltage	$V_{BS}=\text{Sweep}$		0.5		V
I_{LK}	Offset Supply Leakage Current	$V_B=V_S=1200\text{ V}$			50	μA
INPUT Logic SECTION(HIN.LIN and SD)						
V_{IH}	Logic "1" Input Voltage	$V_{DD}=3\text{ V}$	2.4			V
		$V_{DD}=15\text{ V}$	9.5			V
V_{IL}	Logic "0" Input Voltage	$V_{DD}=3\text{ V}$			0.8	V
		$V_{DD}=15\text{ V}$			6.0	V
I_{IN+}	Logic "1" Input bias Current	$V_{IN}=15\text{ V}$		30	50	μA
I_{IN-}	Logic "0" Input bias Current	$V_{IN}=0\text{ V}$			1	μA
R_{IN}	Logic Input Pull-down Resistance			500		k Ω
GATE DRIVER OUTPUT SECTION						
V_{OH}	High-Level Output Voltage, $V_{BIAS}-V_O$	$I_O=0\text{ A}$			1.2	V
V_{OL}	Low-Level Output Voltage, V_O	$I_O=0\text{ A}$			0.1	V
I_{O+}	Output HIGH Short-Circuit Pulse Current	$V_O=0\text{ V, }V_{IN}=5\text{ V with }PW\leq 10\text{ }\mu\text{s}$		2.0		A
I_{O-}	Output LOW Short-Circuit Pulsed Current	$V_O=15\text{ V, }V_{IN}=0\text{ V with }PW\leq 10\text{ }\mu\text{s}$		3.0		A
V_S	Allowable Negative V_S Pin Voltage for HIN Signal Propagation to HO			-9.8	-7.0	V

FAN73912

DYNAMIC ELECTRICAL CHARACTERISTICS

$V_{BIAS}(V_{CC}, V_{BS}, V_{DD}) = 15.0\text{ V}$, $V_S = V_{SS} = \text{COM}$, $C_L = 1000\text{ pF}$ and $T_A = 25^\circ\text{C}$, unless otherwise specified.

Symbol	Parameter	Conditions	Min.	Typ.	Max.	Unit
t_{ON}	Turn-On Propagation Delay	$V_S=0\text{ V}$		500		ns
t_{OFF}	Turn-Off Propagation Delay	$V_S=0\text{V}$		550		ns
t_{FLTIN}	Input Filtering Time (HIN, LIN) (Note7)		80	150	220	ns
t_{FLTSD}	Input Filtering Time (SD)			30		ns
t_{SD}	Shutdown Propagation Delay Time		260	330	400	ns
t_R	Turn-On Rise Time			25		ns
t_F	Turn-Off Fall Time			15		ns
DT	Dead Time		200	330	450	ns
MDT	Dead-Time Matching (Note 8)				50	ns
MT	Delay Matching , HO & LO Turn-On/OFF(Note 9)				50	ns
PM	Output Pulse-Width Matching (Note 10)	$PW_{IN} > 1\ \mu\text{s}$		50	100	ns

7. The minimum width of the input pulse should exceed 500 ns to ensure the filtering time of the input filter is exceeded.

8. MDT is defined as $|DT_{HO-LO}-DT_{LO-HO}|$ referenced to Figure 40.

9. MT is defined as an absolute value of matching delay time between High-side and Low-side

10. PM is defined as an absolute value of matching pulse-width between Input and Output.

TYPICAL CHARACTERISTICS

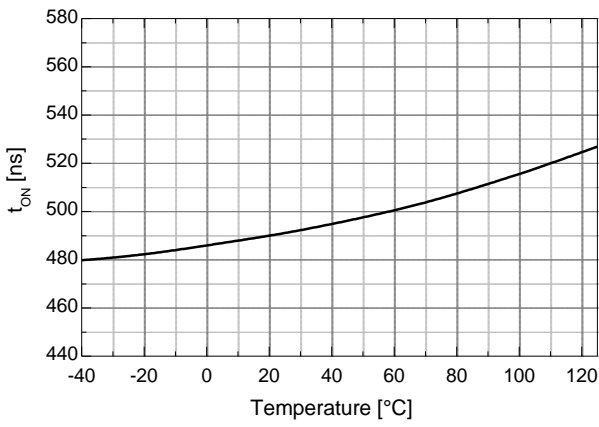


Figure 4 Turn-On Propagation Delay vs. Temperature

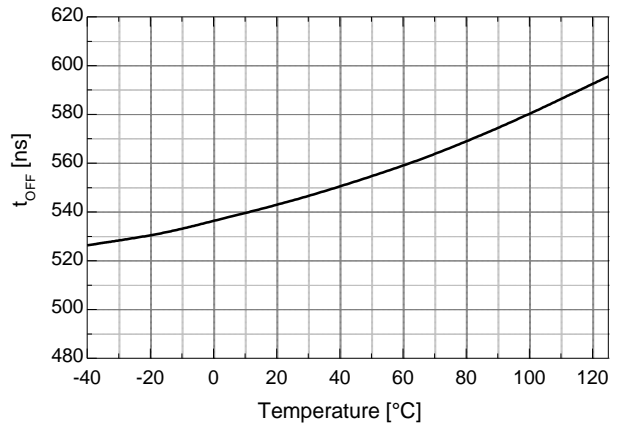


Figure 5 Turn-Off Propagation Delay vs. Temperature

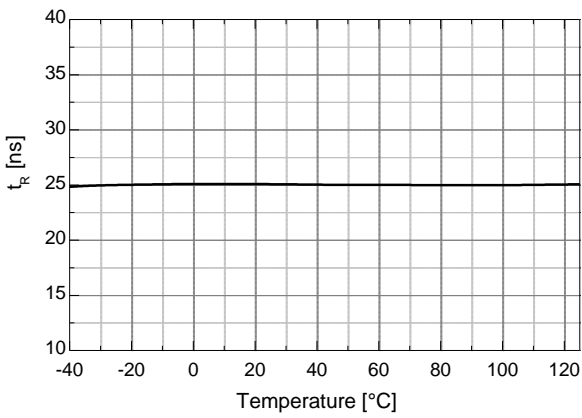


Figure 6 Turn-On Rise Time vs. Temperature

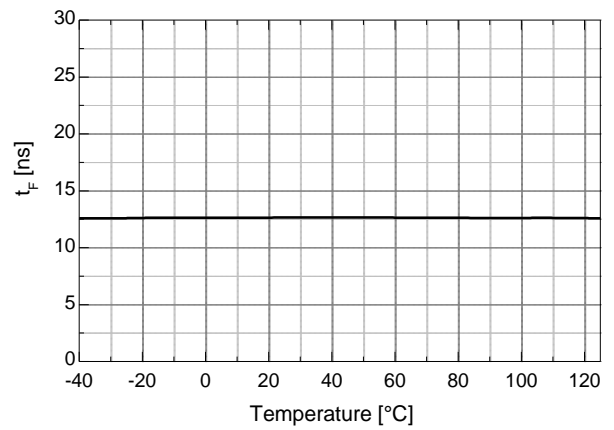


Figure 7 Turn-Off Fall Time vs. Temperature

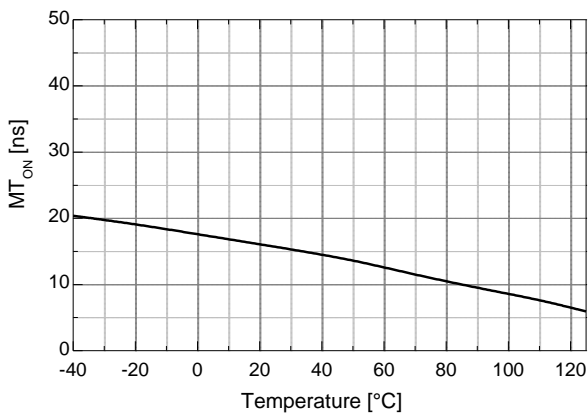


Figure 8 Turn-On Delay Matching vs. Temperature

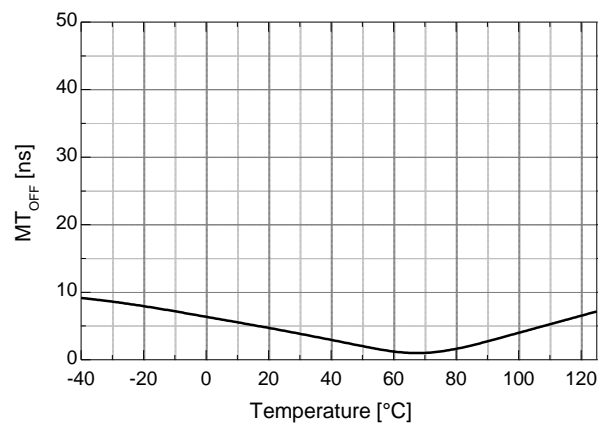


Figure 9 Turn-Off Delay Matching vs. Temperature

TYPICAL CHARACTERISTICS

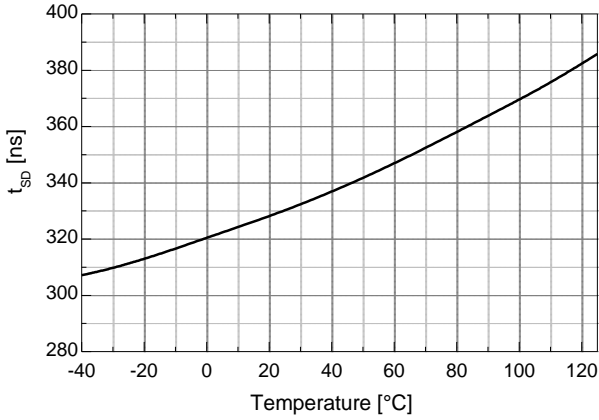


Figure 10 Shutdown Propagation Delay vs. Temperature

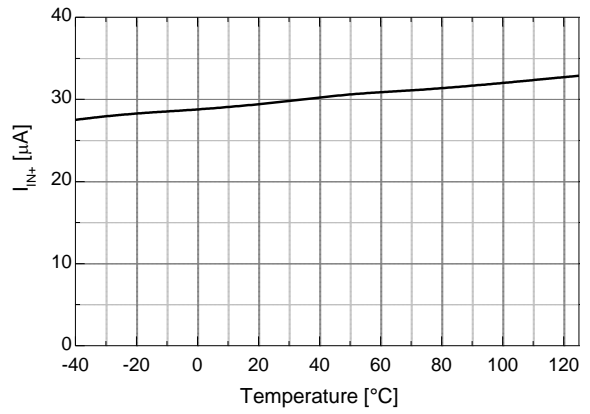


Figure 11 Logic Input High Bias Current vs. Temperature

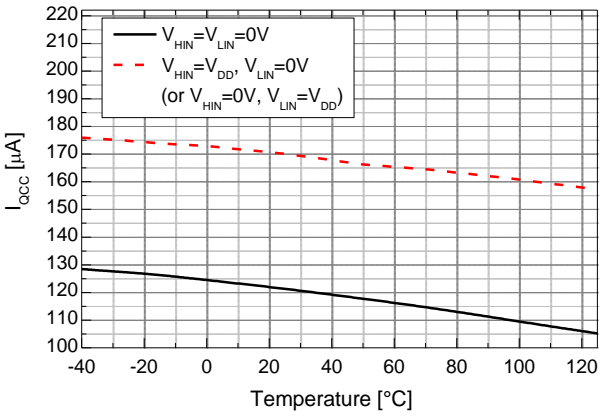


Figure 12 Quiescent V_{CC} Supply Current vs. Temperature

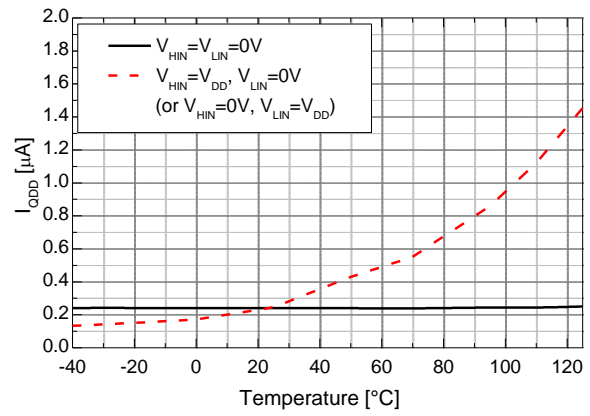


Figure 13 Quiescent V_{DD} Supply Current vs. Temperature

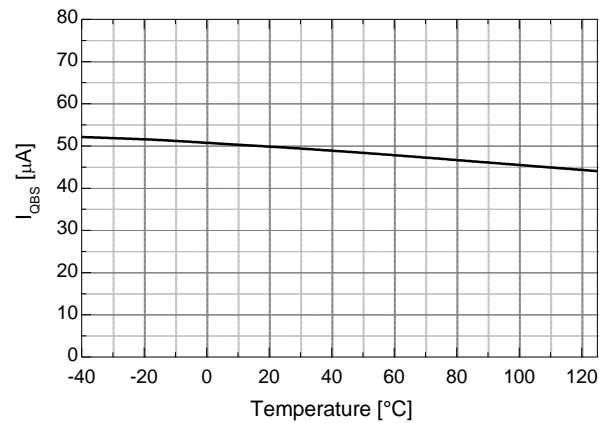


Figure 14 Quiescent V_{BS} Supply Current vs. Temperature

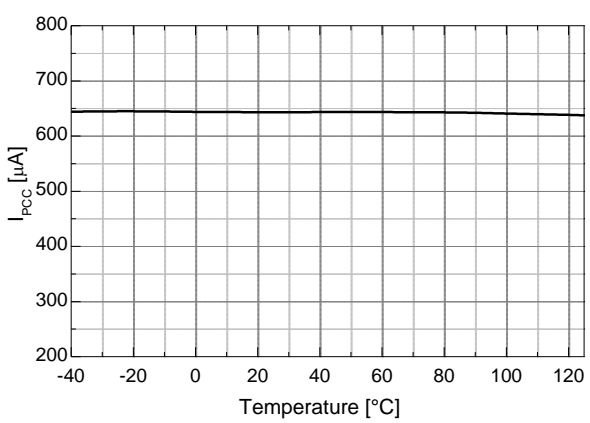


Figure 15 Operating V_{CC} Supply Current vs. Temperature

TYPICAL CHARACTERISTICS

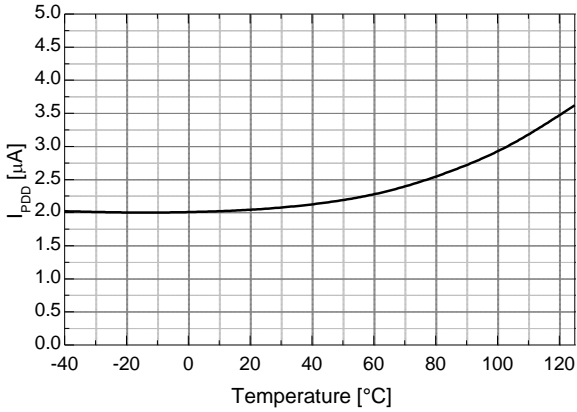


Figure 16 Operating V_{DD} Supply Current vs. Temperature

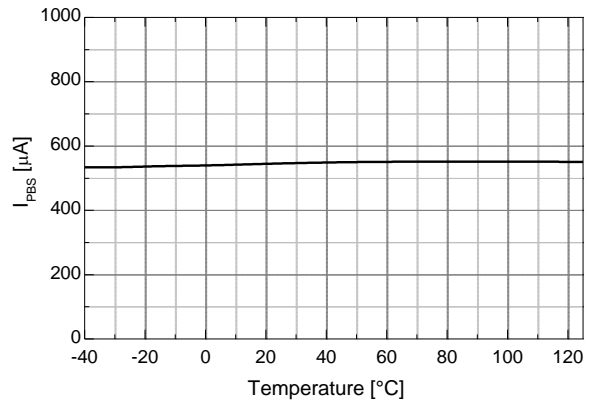


Figure 17 Operating V_{BS} Supply Current vs. Temperature

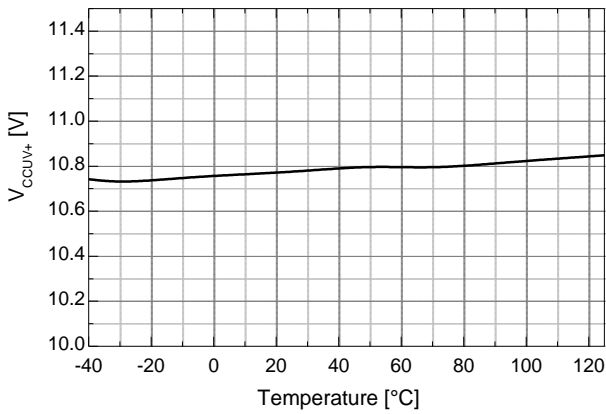


Figure 18 V_{CC} UVLO+ vs. Temperature

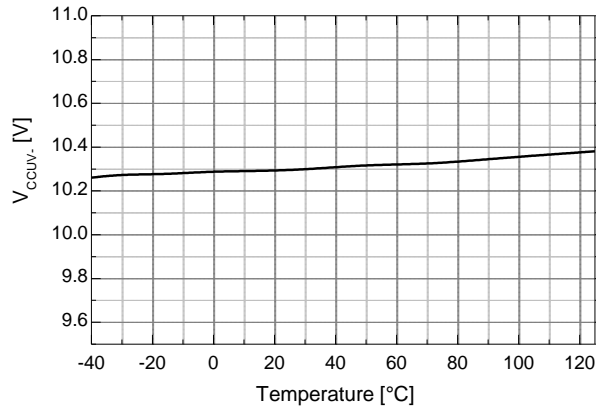


Figure 19 V_{CC} UVLO- vs. Temperature

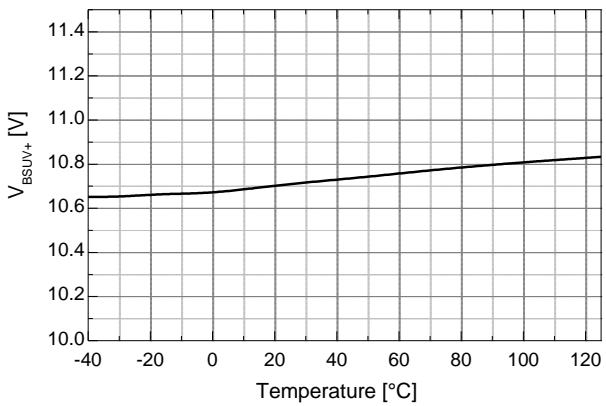


Figure 20 V_{BS} UVLO+ vs. Temperature

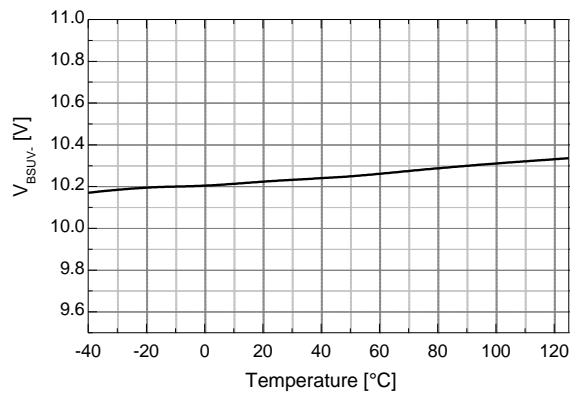


Figure 21 V_{BS} UVLO- vs. Temperature

TYPICAL CHARACTERISTICS

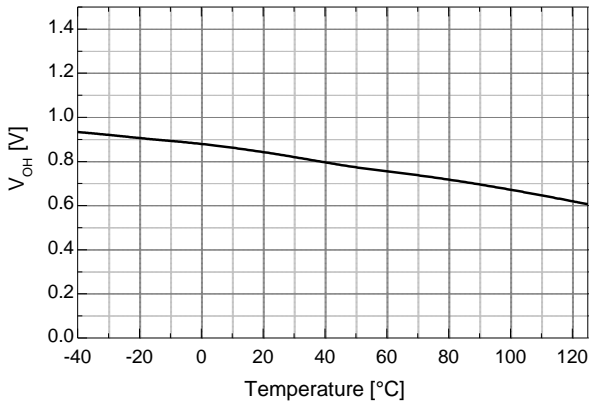


Figure 22 High-Level Output Voltage vs. Temperature

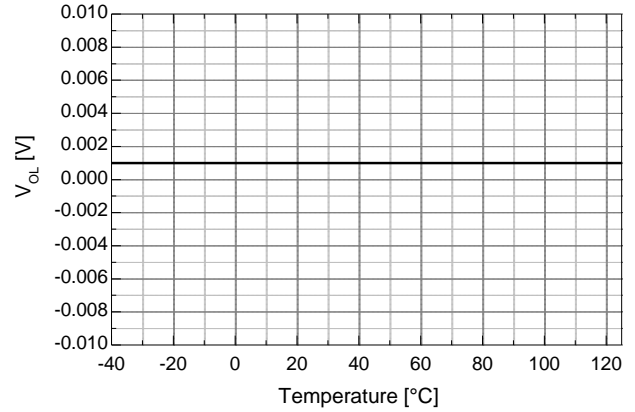


Figure 23 Low-Level Output Voltage vs. Temperature

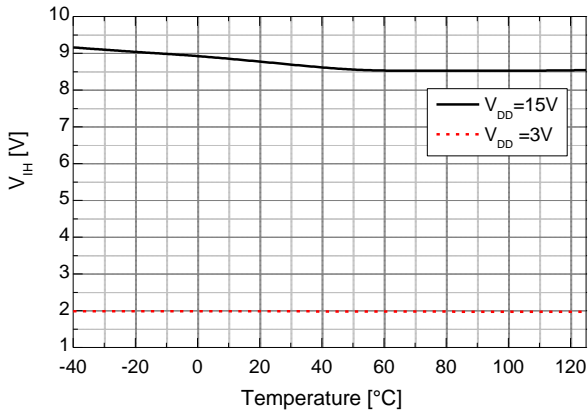


Figure 24 Logic High Input Voltage vs. Temperature

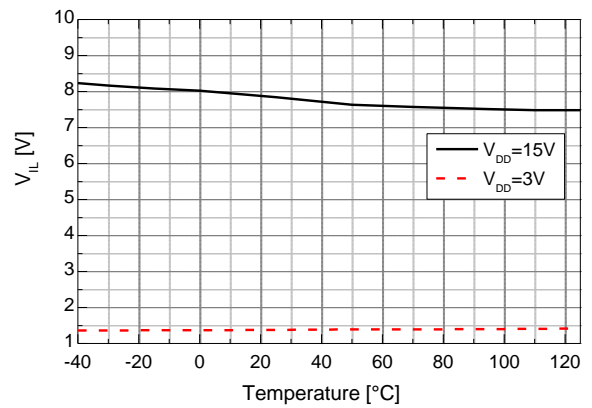


Figure 25 Logic Low Input Voltage vs. Temperature

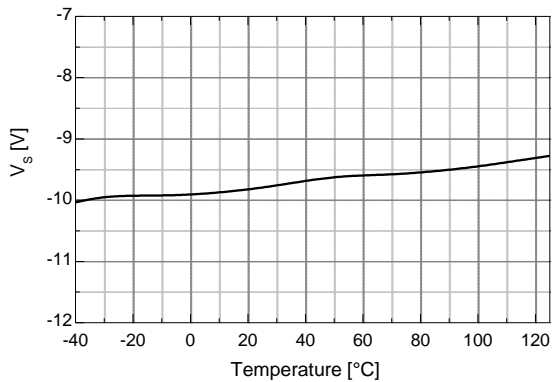


Figure 26 Allowable Negative V_S vs. Temperature

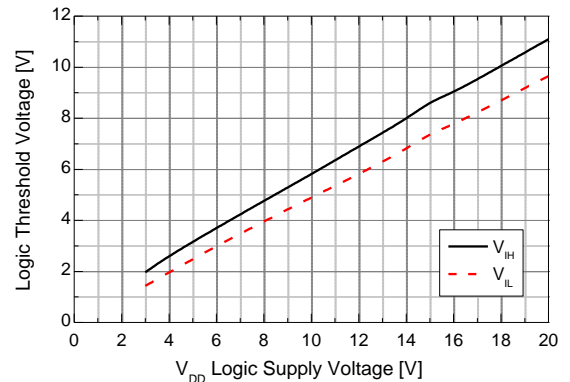


Figure 27 Input Logic(HIN&LIN) Threshold Voltage vs. V_{DD} Supply Voltage

TYPICAL CHARACTERISTICS

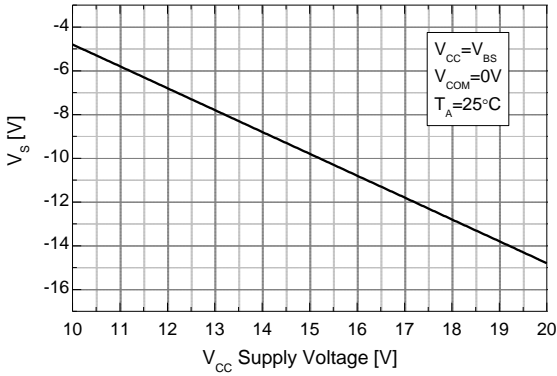


Figure 28 Allowable Negative Vs Voltage for HIN Signal Propagation to High Side vs. V_{CC} Supply Voltage

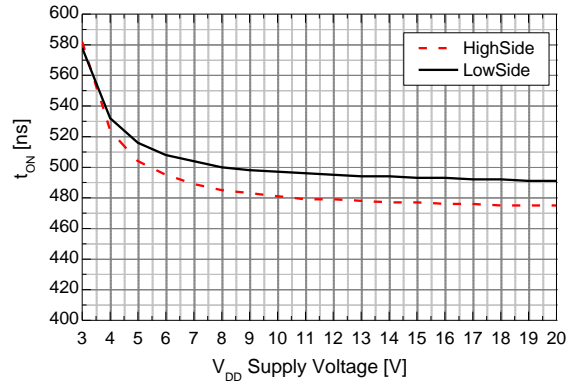


Figure 29 Turn-On Propagation Delay vs. V_{DD} Supply Voltage

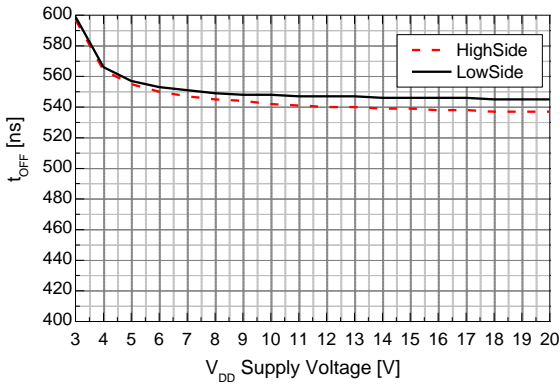


Figure 30 Turn-Off Propagation Delay vs. V_{DD} Supply Voltage

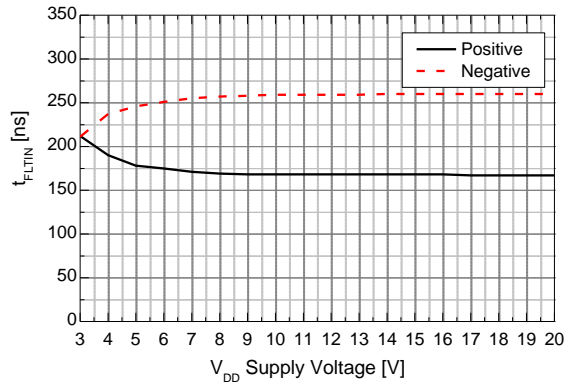


Figure 31 Logic Input Filtering Time vs. V_{DD} Supply Voltage

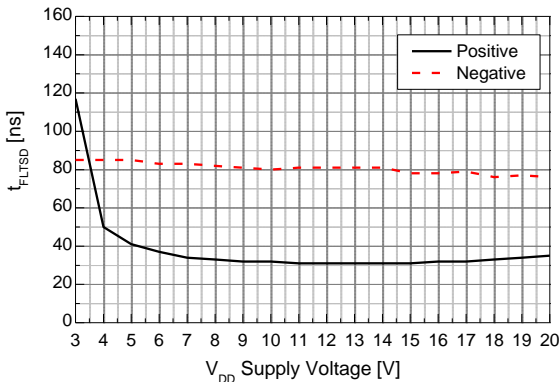


Figure 32 Shutdown Input Filtering Time vs. V_{DD} Supply Voltage

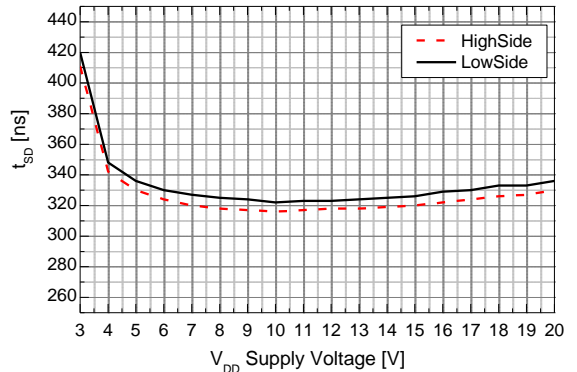


Figure 33 Shutdown Propagation Delay vs. V_{DD} Supply Voltage

TYPICAL CHARACTERISTICS

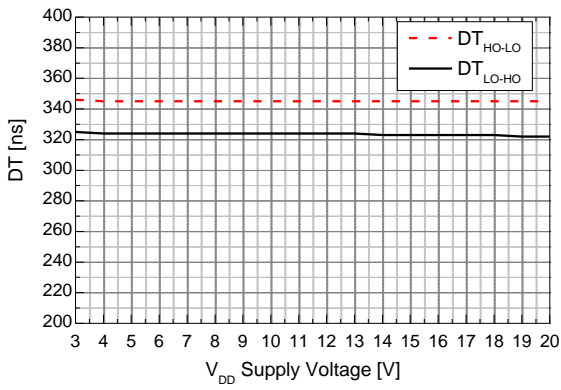


Figure 34 Dead Time vs. V_{DD} Supply Voltage

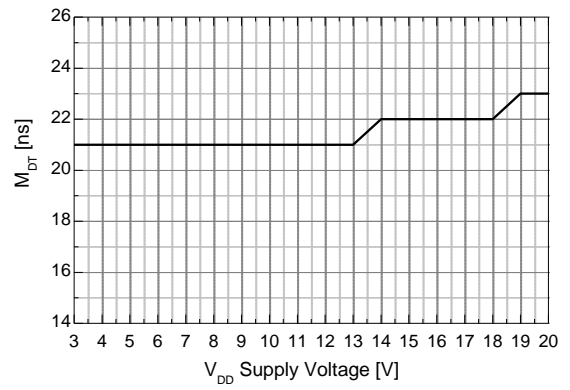


Figure 35 Dead-Time Matching vs. V_{DD} Supply Voltage

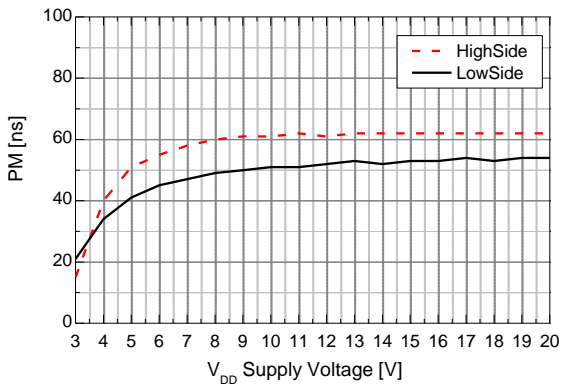


Figure 36 Output Pulse-Width Matching vs. V_{DD} Supply Voltage

FAN73912

Switching Time Definitions

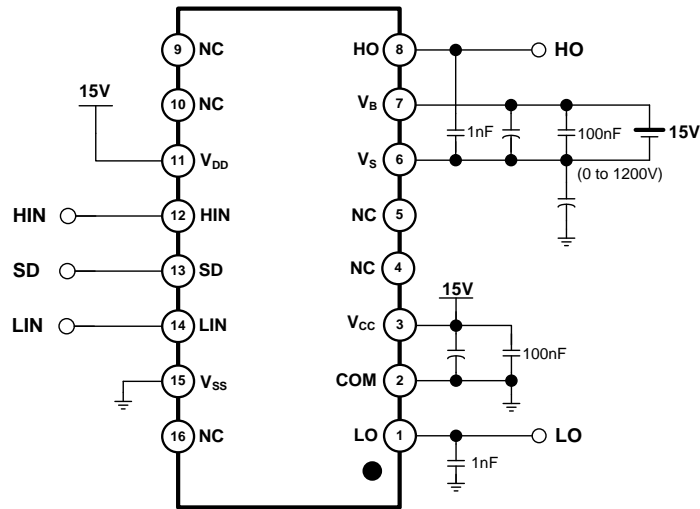


Figure 37. Switching Time Test Circuit

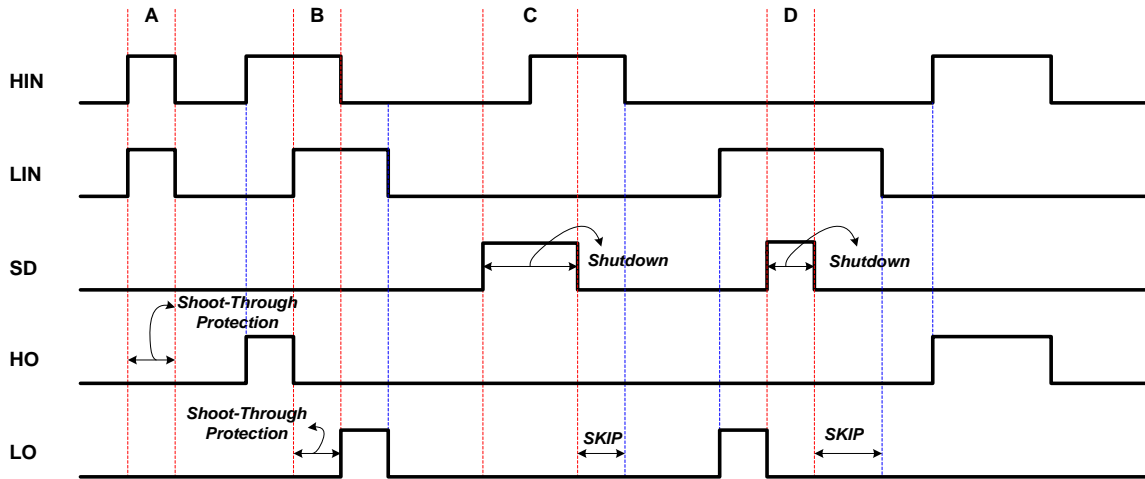


Figure 38. Input/Output Timing Diagram

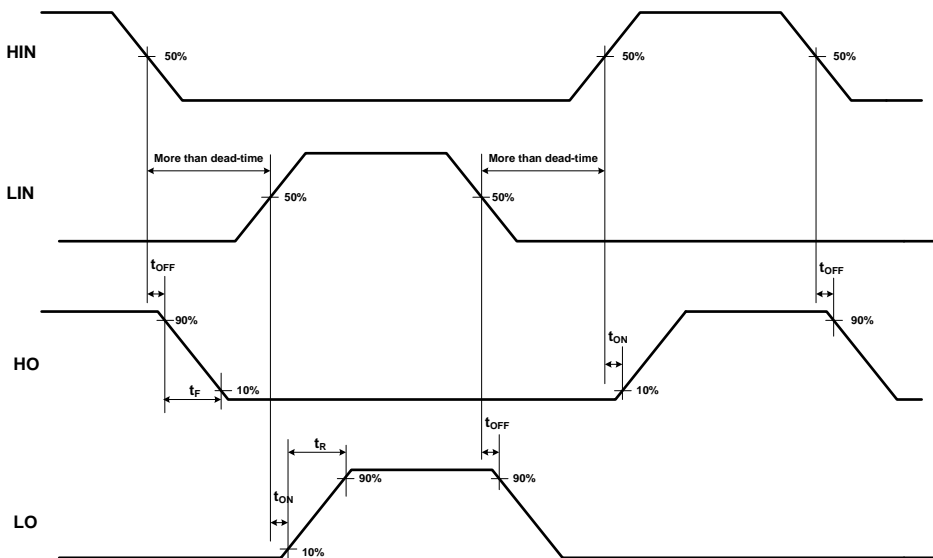


Figure 39. Switching Time Definition

Switching Time Definitions (continued)

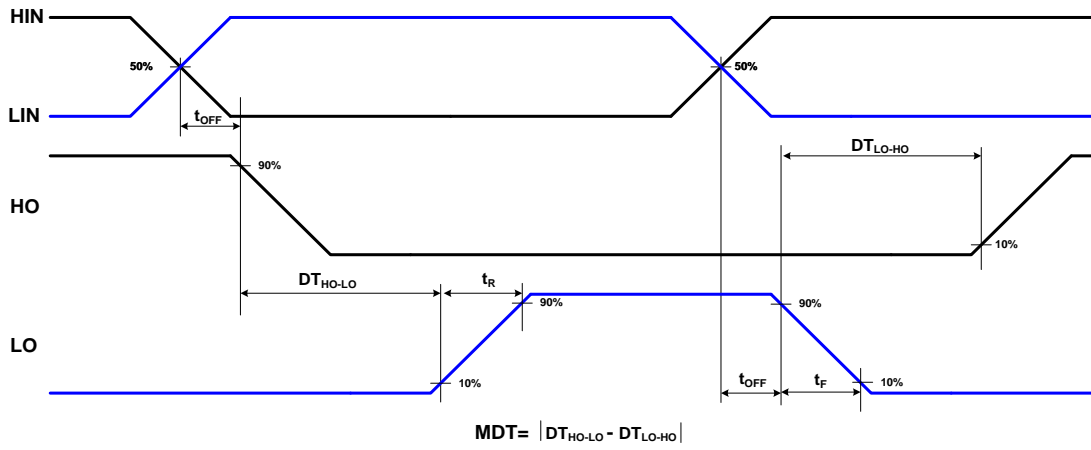


Figure 40. Internal Dead Time Definition

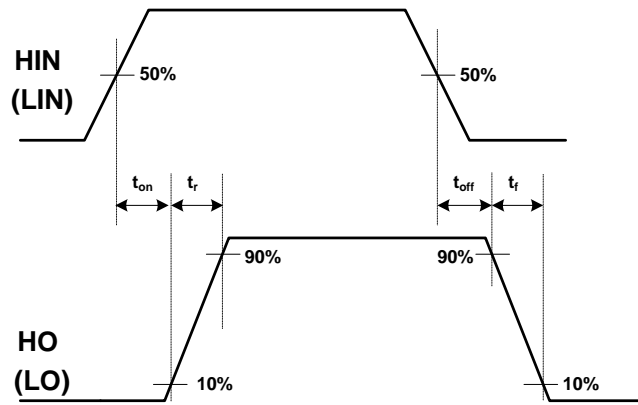


Figure 41. Switching Time Waveform Definitions

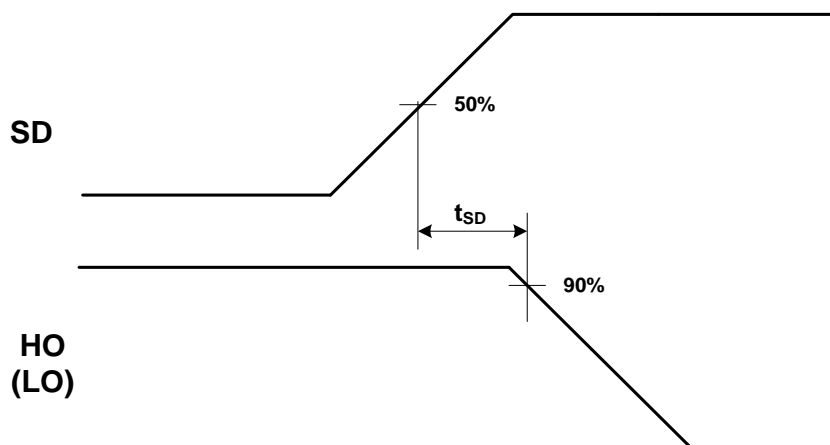


Figure 42. Switching Time Definitions

APPLICATIONS INFORMATION

Dead Time

Dead time is automatically inserted whenever the dead time of the external two input signals (between HIN and LIN signals) is shorter than internal fixed dead times (DT1 and DT2). Otherwise, external dead times larger than internal dead times are not modified by the gate driver and internal dead-time waveform definition is shown in Figure 43.

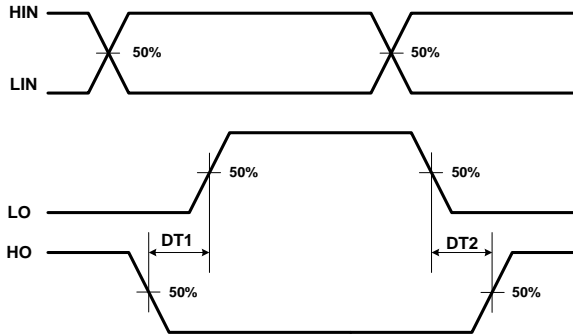


Figure 43. Internal Dead-Time Definitions

Protection Function

Shoot-Through Protection

The shoot-through protection circuitry prevents both high- and low-side switches from conducting at the same time, as shown in Figure 44.

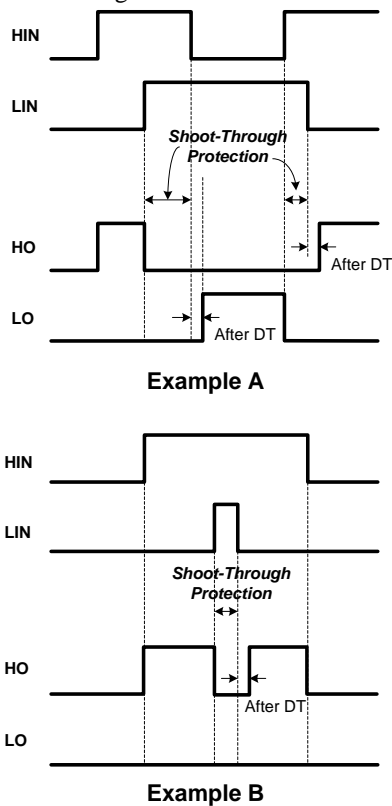


Figure 44. Shoot-Through Protection

Shutdown Input

When the SD pin is in LOW state, the gate driver operates normally. When a condition occurs that should shut down the gate driver, the SD pin should be HIGH. The Shutdown circuitry has an input filter; the minimum input duration is specified by t_{FLTIN} (typically 250 ns).

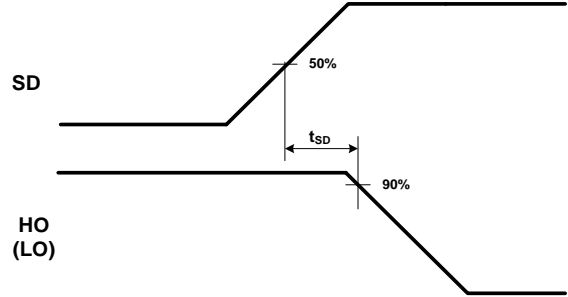


Figure 45. Output Shutdown Timing Waveform

Noise Filter

Input Noise Filter

Figure 46 shows the input noise filter method, which has symmetry duration between the input signal (t_{INPUT}) and the output signal (t_{OUTPUT}) and helps to reject noise spikes and short pulses. This input filter is applied to the HIN, LIN, and EN inputs. The upper pair of waveforms (Example A) shows an input signal duration (t_{INPUT}) much longer than input filter time (t_{FLTIN}); it is approximately the same duration between the input signal time (t_{INPUT}) and the output signal time (t_{OUTPUT}). The lower pair of waveforms (Example B) shows an input signal time (t_{INPUT}) slightly longer than input filter time (t_{FLTIN}); it is approximately the same duration between input signal time (t_{INPUT}) and the output signal time (t_{OUTPUT}).

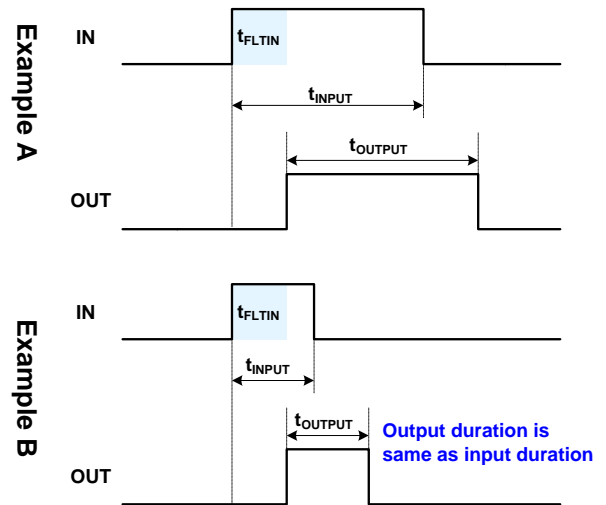


Figure 46. Input Noise Filter Definition

Short-Pulsed Input Noise Rejection Method

The input filter circuitry provides protection against short-pulsed input signals (HIN, LIN, and SD) on the input signal lines by applied noise signal.

If the input signal duration is less than input filter time (t_{FLTIN}), the output does not change states.

Example A and B of the Figure 47 show the input and output waveforms with short-pulsed noise spikes with a duration less than input filter time; the output does not change states.

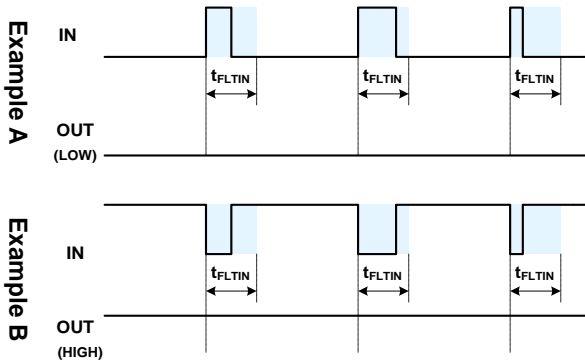


Figure 47. Noise Rejecting Input Filter Definition

Negative VS Transient

The bootstrap circuit has the advantage of being simple and low cost, but has some limitations. The biggest difficulty with this circuit is the negative voltage present at the emitter of the high-side switching device when high-side switch is turned-off in half-bridge application. If the high-side switch, Q1, turns-off while the load current is flowing to an inductive load, a current commutation occurs from high-side switch, Q1, to the diode, D2, in parallel with the low-side switch of the same inverter leg. Then the negative voltage present at the emitter of the high-side switching device, just before the freewheeling diode, D2, starts clamping, causes load current to suddenly flow to the low-side freewheeling diode, D2, as shown in Figure 48.

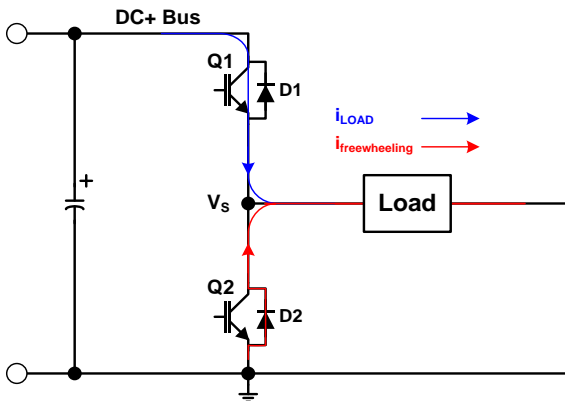


Figure 48. Half-Bridge Application Circuits

This negative voltage can be trouble for the gate driver's output stage, there is the possibility to develop an over-voltage condition of the bootstrap capacitor, input signal missing and latch-up problems because it directly affects

the source V_S pin of the gate driver, shown in Figure 49. This undershoot voltage is called "negative V_S transient".

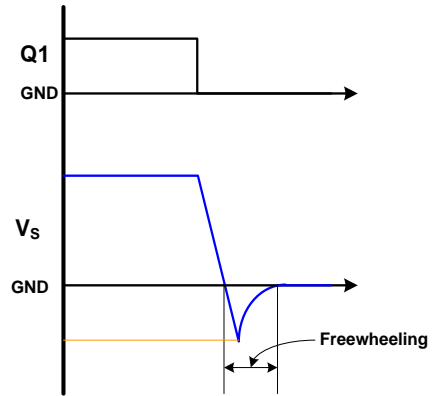


Figure 49. V_S Waveforms during Q1 Turn-Off

Figure 50 and Figure 51 show the commutation of the load current between high-side switch, Q1, and low-side freewheeling diode, D3, in same inverter leg. The parasitic inductances in the inverter circuit from the die wire bonding to the PCB tracks are jumped together in L_C and L_E for each IGBT. When the high-side switch, Q1, and low-side switch, Q4, are turned on, the V_{S1} node is below DC+ voltage by the voltage drops associated with the power switch and the parasitic inductances of the circuit due to load current is flows from Q1 and Q4, as shown in Figure 50. When the high-side switch, Q1, is turned off and Q4, remained turned on, the load current to flows the low-side freewheeling diode, D3, due to the inductive load connected to V_{S1} as shown in Figure 51. Q1 Turn-Off and D3 Conducting. The current flows from ground (which is connected to the COM pin of the gate driver) to the load and the negative voltage present at the emitter of the high-side switching device.

In this case, the COM pin of the gate driver is at a higher potential than the V_S pin due to the voltage drops associated with freewheeling diode, D3, and parasitic elements, L_{C3} and L_{E3} .

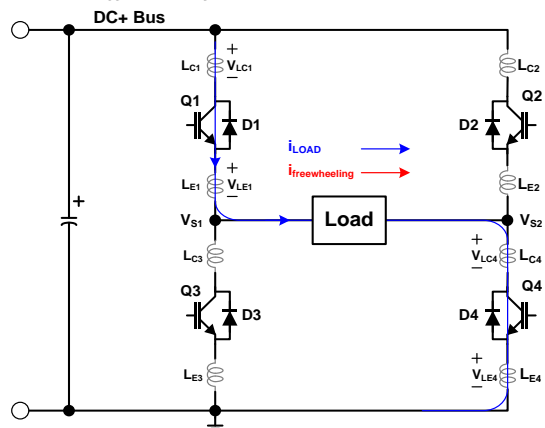


Figure 50. Q1 and Q4 Turn-On

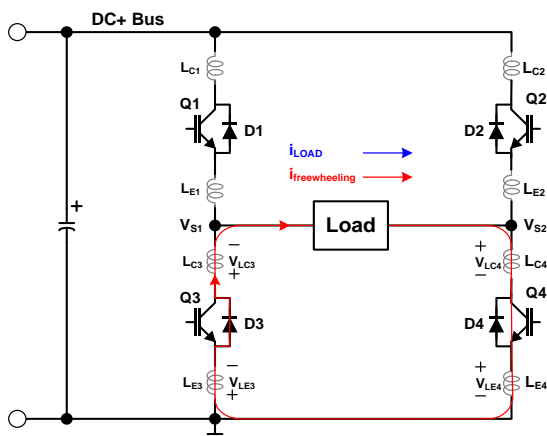


Figure 51. Q1 Turn-Off and D3 Conducting

The FAN73912 has a typical negative V_S transient characteristics, as shown in Figure 52.

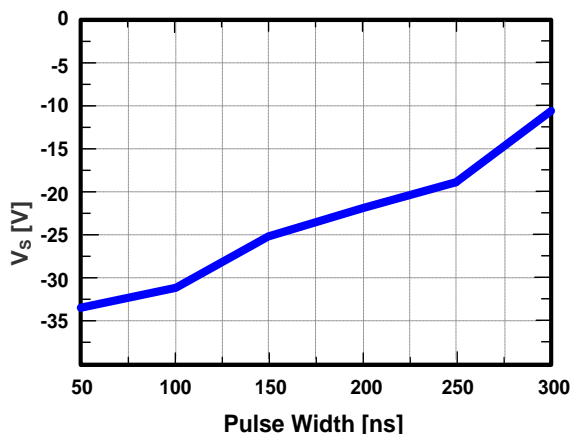


Figure 52. Negative V_S Transient Characteristic

Even though the FAN73912 has been shown able to handle these negative V_S transient conditions, it is strongly recommended that the circuit designer limit the negative V_S transient as much as possible by careful PCB layout to minimize the value of parasitic elements and component use. The amplitude of negative V_S voltage is proportional to the parasitic inductances and the turn-off speed, di/dt , of the switching device.

General Guidelines

Printed Circuit Board Layout

The layout recommended for minimized parasitic elements is as follows:

- Direct tracks between switches with no loops or deviation.
- Avoid interconnect links. These can add significant inductance.
- Reduce the effect of lead-inductance by lowering package height above the PCB.

- Consider co-locating both power switches to reduce track length.
- To minimize noise coupling, the ground plane should not be placed under or near the high-voltage floating side.
- To reduce the EM coupling and improve the power switch turn-on/off performance, the gate drive loops must be reduced as much as possible.

Placement of Components

The recommended placement and selection of component as follows:

- Place a bypass capacitor between the V_{CC} and V_{SS} pins. A ceramic 1 μF capacitor is suitable for most applications. This component should be placed as close as possible to the pins to reduce parasitic elements.
- The bypass capacitor from V_{CC} to V_{SS} supports both the low-side driver and bootstrap capacitor recharge. A value at least ten times higher than the bootstrap capacitor is recommended.
- The bootstrap resistor, R_{BOOT} , must be considered in sizing the bootstrap resistance and the current developed during initial bootstrap charge. If the resistor is needed in series with the bootstrap diode, verify that V_B does not fall below COM (ground). Recommended use is typically 5 ~ 10 Ω that increase the V_{BS} time constant. If the voltage drop of bootstrap resistor and diode is too high or the circuit topology does not allow a sufficient charging time, a fast recovery or ultra-fast recovery diode can be used.
- The bootstrap capacitor, C_{BOOT} , uses a low-ESR capacitor, such as ceramic capacitor. It is strongly recommended that the placement of components is as follows:
 - Place components tied to the floating voltage pins (V_B and V_S) near the respective high-voltage portions of the device and the FAN73912. Not Connected (NC) pins in this package maximize the distance between the high-voltage and low-voltage pins (see Figure 3)
 - Place and route for bypass capacitors and gate resistors as close as possible to gate drive IC.
 - Locate the bootstrap diode, D_{BOOT} , as close as possible to bootstrap capacitor, C_{BOOT} .
 - The bootstrap diode must use a lower forward voltage drop and minimal switching time as soon as possible for fast recovery or ultra-fast diode.

FAN73912

PACKAGE DIMENSIONS

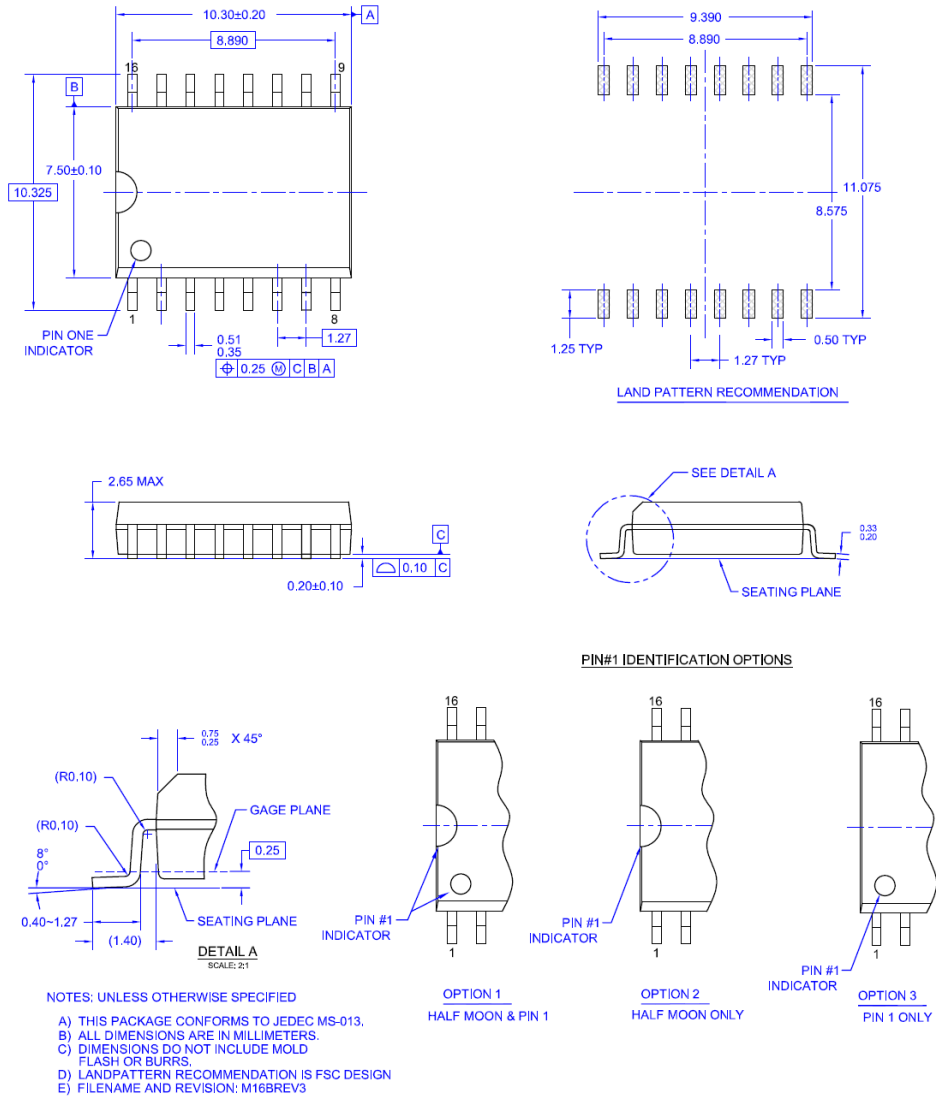


Figure 53. 16-Lead, Small Outline Package(SOP)

ON Semiconductor and the ON Semiconductor logo are trademarks of Semiconductor Components Industries, LLC dba ON Semiconductor or its subsidiaries in the United States and/or other countries. ON Semiconductor owns the rights to a number of patents, trademarks, copyrights, trade secrets, and other intellectual property. A listing of ON Semiconductor's product/patent coverage may be accessed at www.onsemi.com/site/pdf/Patent-Marking.pdf. ON Semiconductor reserves the right to make changes without further notice to any products herein. ON Semiconductor makes no warranty, representation or guarantee regarding the suitability of its products for any particular purpose, nor does ON Semiconductor assume any liability arising out of the application or use of any product or circuit, and specifically disclaims any and all liability, including without limitation special, consequential or incidental damages. Buyer is responsible for its products and applications using ON Semiconductor products, including compliance with all laws, regulations and safety requirements or standards, regardless of any support or applications information provided by ON Semiconductor. "Typical" parameters which may be provided in ON Semiconductor data sheets and/or specifications can and do vary in different applications and actual performance may vary over time. All operating parameters, including "Typicals" must be validated for each customer application by customer's technical experts. ON Semiconductor does not convey any license under its patent rights nor the rights of others. ON Semiconductor products are not designed, intended, or authorized for use as a critical component in life support systems or any FDA Class 3 medical devices or medical devices with a same or similar classification in a foreign jurisdiction or any devices intended for implantation in the human body. Should Buyer purchase or use ON Semiconductor products for any such unintended or unauthorized application, Buyer shall indemnify and hold ON Semiconductor and its officers, employees, subsidiaries, affiliates, and distributors harmless against all claims, costs, damages, and expenses, and reasonable attorney fees arising out of, directly or indirectly, any claim of personal injury or death associated with such unintended or unauthorized use, even if such claim alleges that ON Semiconductor was negligent regarding the design or manufacture of the part. ON Semiconductor is an Equal Opportunity/Affirmative Action Employer. This literature is subject to all applicable copyright laws and is not for resale in any manner.

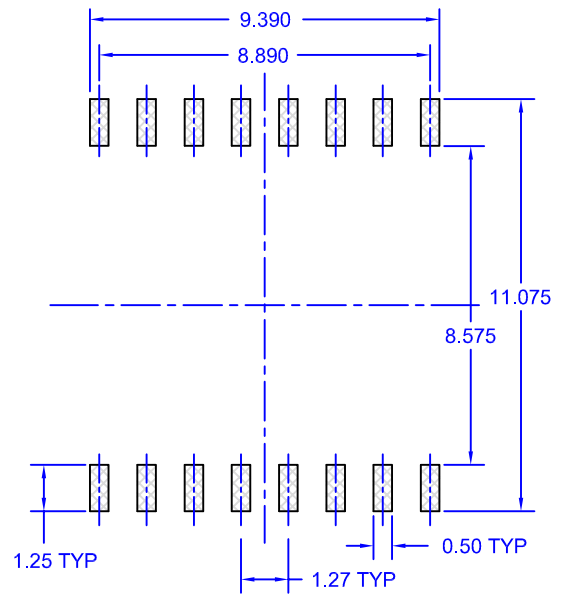
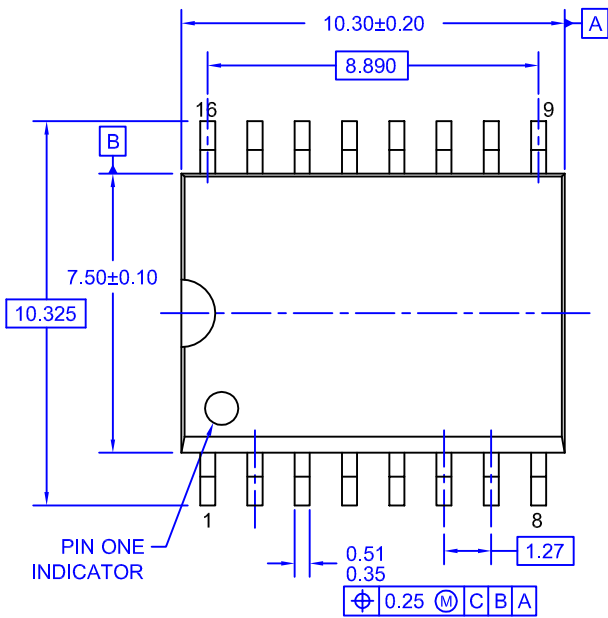
PUBLICATION ORDERING INFORMATION

LITERATURE FULFILLMENT:

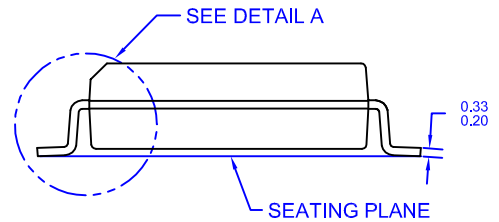
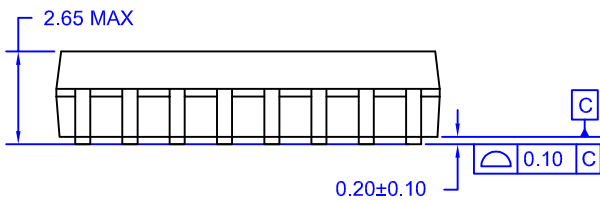
Literature Distribution Center for ON Semiconductor
19521 E. 32nd Pkwy, Aurora, Colorado 80011 USA
Phone: 303-675-2175 or 800-344-3860 Toll Free USA/Canada
Fax: 303-675-2176 or 800-344-3867 Toll Free USA/Canada
Email: orderlit@onsemi.com

N. American Technical Support: 800-282-9855 Toll Free
USA/Canada.
Europe, Middle East and Africa Technical Support:
Phone: 421 33 790 2910
Japan Customer Focus Center
Phone: 81-3-5817-1050

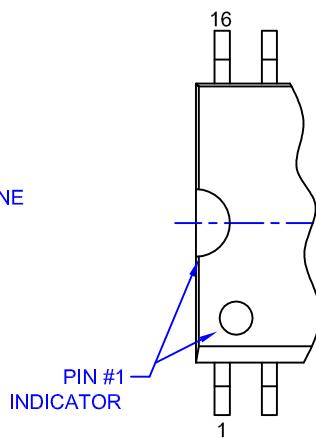
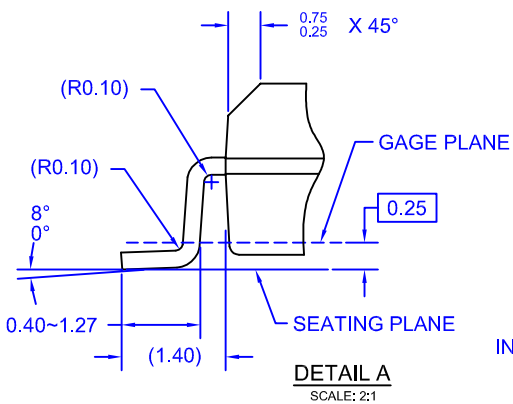
ON Semiconductor Website: www.onsemi.com
Order Literature: <http://www.onsemi.com/orderlit>
For additional information, please contact your local
Sales Representative



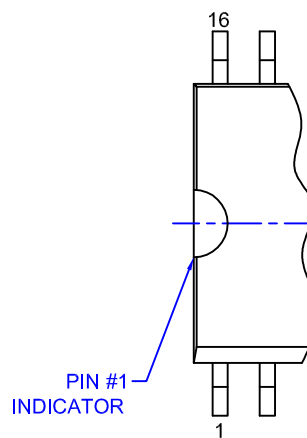
LAND PATTERN RECOMMENDATION



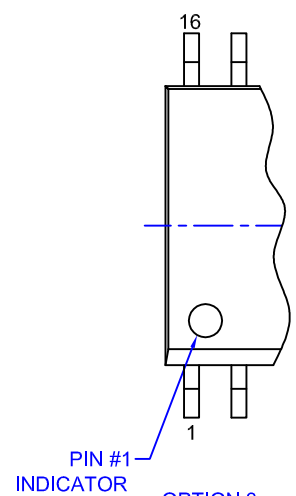
PIN#1 IDENTIFICATION OPTIONS



OPTION 1
HALF MOON & PIN 1



OPTION 2
HALF MOON ONLY



OPTION 3
PIN 1 ONLY

NOTES: UNLESS OTHERWISE SPECIFIED

- A) THIS PACKAGE CONFORMS TO JEDEC MS-013.
- B) ALL DIMENSIONS ARE IN MILLIMETERS.
- C) DIMENSIONS DO NOT INCLUDE MOLD FLASH OR BURRS.
- D) LANDPATTERN RECOMMENDATION IS FSC DESIGN
- E) FILENAME AND REVISION: M16BREV3

ON Semiconductor and  are trademarks of Semiconductor Components Industries, LLC dba ON Semiconductor or its subsidiaries in the United States and/or other countries. ON Semiconductor owns the rights to a number of patents, trademarks, copyrights, trade secrets, and other intellectual property. A listing of ON Semiconductor's product/patent coverage may be accessed at www.onsemi.com/site/pdf/Patent-Marking.pdf. ON Semiconductor reserves the right to make changes without further notice to any products herein. ON Semiconductor makes no warranty, representation or guarantee regarding the suitability of its products for any particular purpose, nor does ON Semiconductor assume any liability arising out of the application or use of any product or circuit, and specifically disclaims any and all liability, including without limitation special, consequential or incidental damages. Buyer is responsible for its products and applications using ON Semiconductor products, including compliance with all laws, regulations and safety requirements or standards, regardless of any support or applications information provided by ON Semiconductor. "Typical" parameters which may be provided in ON Semiconductor data sheets and/or specifications can and do vary in different applications and actual performance may vary over time. All operating parameters, including "Typicals" must be validated for each customer application by customer's technical experts. ON Semiconductor does not convey any license under its patent rights nor the rights of others. ON Semiconductor products are not designed, intended, or authorized for use as a critical component in life support systems or any FDA Class 3 medical devices or medical devices with a same or similar classification in a foreign jurisdiction or any devices intended for implantation in the human body. Should Buyer purchase or use ON Semiconductor products for any such unintended or unauthorized application, Buyer shall indemnify and hold ON Semiconductor and its officers, employees, subsidiaries, affiliates, and distributors harmless against all claims, costs, damages, and expenses, and reasonable attorney fees arising out of, directly or indirectly, any claim of personal injury or death associated with such unintended or unauthorized use, even if such claim alleges that ON Semiconductor was negligent regarding the design or manufacture of the part. ON Semiconductor is an Equal Opportunity/Affirmative Action Employer. This literature is subject to all applicable copyright laws and is not for resale in any manner.

PUBLICATION ORDERING INFORMATION

LITERATURE FULFILLMENT:

Literature Distribution Center for ON Semiconductor
19521 E. 32nd Pkwy, Aurora, Colorado 80011 USA
Phone: 303-675-2175 or 800-344-3860 Toll Free USA/Canada
Fax: 303-675-2176 or 800-344-3867 Toll Free USA/Canada
Email: orderlit@onsemi.com

N. American Technical Support: 800-282-9855 Toll Free
USA/Canada
Europe, Middle East and Africa Technical Support:
Phone: 421 33 790 2910
Japan Customer Focus Center
Phone: 81-3-5817-1050

ON Semiconductor Website: www.onsemi.com
Order Literature: <http://www.onsemi.com/orderlit>
For additional information, please contact your local
Sales Representative