



Is Now Part of



**ON Semiconductor®**

To learn more about ON Semiconductor, please visit our website at  
[www.onsemi.com](http://www.onsemi.com)

Please note: As part of the Fairchild Semiconductor integration, some of the Fairchild orderable part numbers will need to change in order to meet ON Semiconductor's system requirements. Since the ON Semiconductor product management systems do not have the ability to manage part nomenclature that utilizes an underscore (\_), the underscore (\_) in the Fairchild part numbers will be changed to a dash (-). This document may contain device numbers with an underscore (\_). Please check the ON Semiconductor website to verify the updated device numbers. The most current and up-to-date ordering information can be found at [www.onsemi.com](http://www.onsemi.com). Please email any questions regarding the system integration to [Fairchild\\_questions@onsemi.com](mailto:Fairchild_questions@onsemi.com).

ON Semiconductor and the ON Semiconductor logo are trademarks of Semiconductor Components Industries, LLC dba ON Semiconductor or its subsidiaries in the United States and/or other countries. ON Semiconductor owns the rights to a number of patents, trademarks, copyrights, trade secrets, and other intellectual property. A listing of ON Semiconductor's product/patent coverage may be accessed at [www.onsemi.com/site/pdf/Patent-Marking.pdf](http://www.onsemi.com/site/pdf/Patent-Marking.pdf). ON Semiconductor reserves the right to make changes without further notice to any products herein. ON Semiconductor makes no warranty, representation or guarantee regarding the suitability of its products for any particular purpose, nor does ON Semiconductor assume any liability arising out of the application or use of any product or circuit, and specifically disclaims any and all liability, including without limitation special, consequential or incidental damages. Buyer is responsible for its products and applications using ON Semiconductor products, including compliance with all laws, regulations and safety requirements or standards, regardless of any support or applications information provided by ON Semiconductor. "Typical" parameters which may be provided in ON Semiconductor data sheets and/or specifications can and do vary in different applications and actual performance may vary over time. All operating parameters, including "Typicals" must be validated for each customer application by customer's technical experts. ON Semiconductor does not convey any license under its patent rights nor the rights of others. ON Semiconductor products are not designed, intended, or authorized for use as a critical component in life support systems or any FDA Class 3 medical devices or medical devices with a same or similar classification in a foreign jurisdiction or any devices intended for implantation in the human body. Should Buyer purchase or use ON Semiconductor products for any such unintended or unauthorized application, Buyer shall indemnify and hold ON Semiconductor and its officers, employees, subsidiaries, affiliates, and distributors harmless against all claims, costs, damages, and expenses, and reasonable attorney fees arising out of, directly or indirectly, any claim of personal injury or death associated with such unintended or unauthorized use, even if such claim alleges that ON Semiconductor was negligent regarding the design or manufacture of the part. ON Semiconductor is an Equal Opportunity/Affirmative Action Employer. This literature is subject to all applicable copyright laws and is not for resale in any manner.

# FAN7371

## 大电流高侧栅极驱动 IC

### 特性

- 浮动通道可实现高达 +600V 的自举运行
- 4 A/4 A 源电流 / 灌电流驱动能力
- 共模 dv/dt 噪声消除电路
- 兼容 3.3V 和 5V 逻辑输入电平
- 输出信号与输入信号同相位
- $V_{BS}$  欠压锁定
- $V_{DD}$  和  $V_{BS}$  上有 25 V 的电压调节器
- 8- 引脚小尺寸封装 (SOP)

### 应用

- 高速栅极驱动器
- PDP 应用中的维持放电开关驱动器
- PDP 应用中的能量恢复电路开关驱动器
- 高功率降压转换器
- 电机驱动变频器

### 说明

FAN7371 是单片高侧栅极驱动器 IC，可以驱动工作电压最高达 +600V 的高速 MOSFET 和 IGBT。它具有缓冲输出级，且所有 NMOS 晶体管设计为具有高脉冲电流驱动能力和最低交叠导通。

飞兆的高压流程和共模噪声消除技术可使高端驱动器在高 dv/dt 噪声环境下稳定运行。先进的电平转换电路允许高侧栅极驱动器的偏置电压达到  $V_S = -9.8 V$  ( $V_{BS} = 15 V$  时的典型值)。

UVLO 电路可防止  $V_{BS}$  低于指定的阈值电压时发生故障。

大电流和低输出电压降功能使得此器件适合作为等离子显示面板应用中的维持开关驱动器和能量恢复电路驱动器、电机驱动变频器、开关电源和大功率 DC-DC 转换器应用。

8-SOP



### 订购信息

器件编号	封装	工作温度范围	Eco 标志	包装方法
FAN7371M <sup>(1)</sup>	8-SOP	-40°C ~ 125°C	RoHS	塑料管
FAN7371MX <sup>(1)</sup>				卷带和卷盘

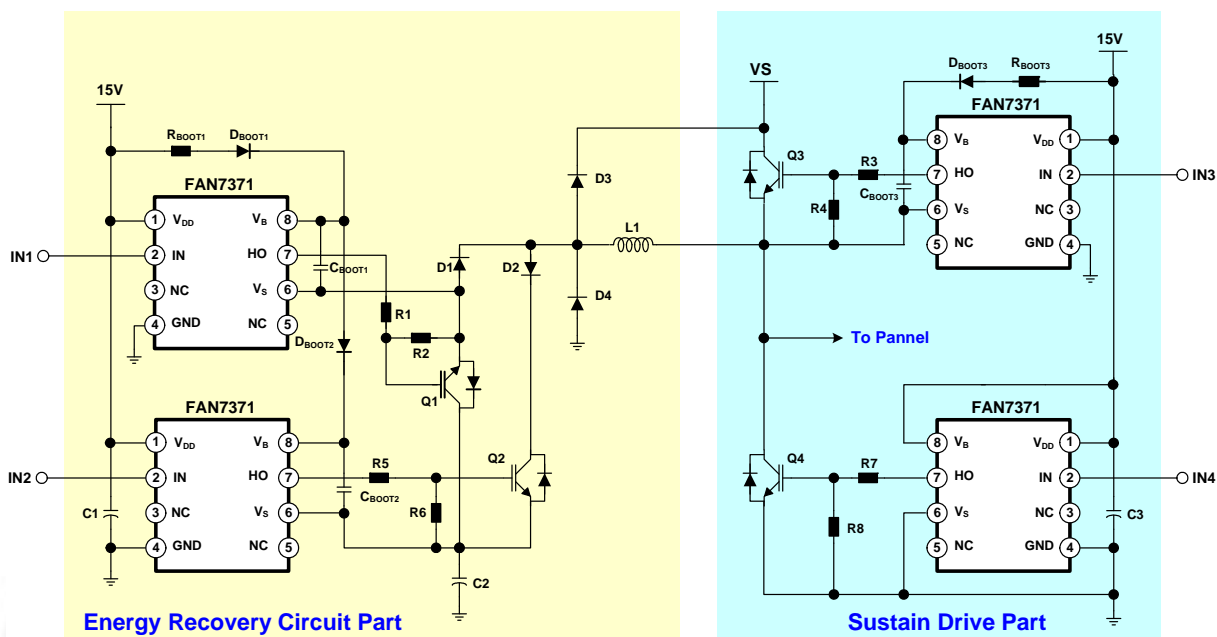
#### 注:

1. 这些器件通过了 JESD22A-111 波峰焊测试。



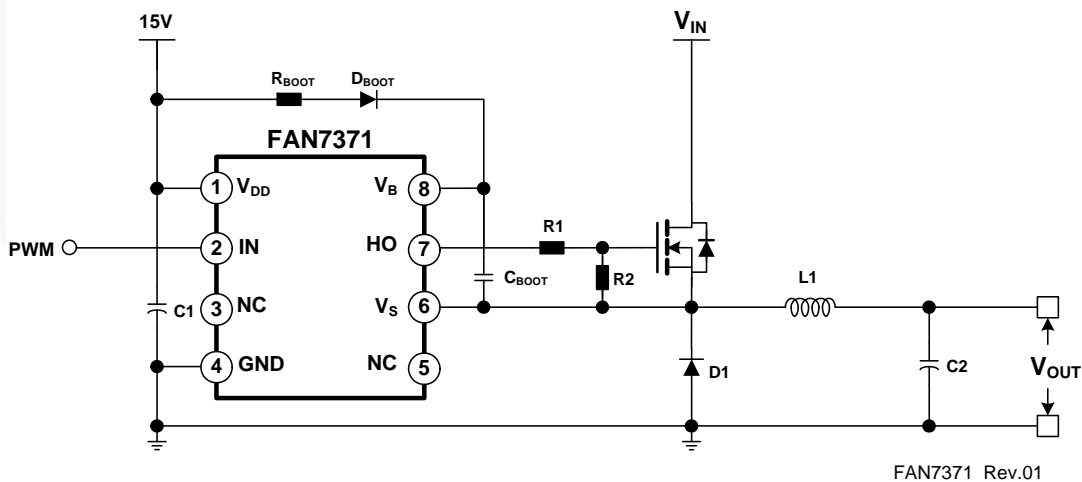
对于飞兆公司的生态标志定义，请访问：[http://www.fairchildsemi.com/company/green/rohs\\_green.html](http://www.fairchildsemi.com/company/green/rohs_green.html)。

应用电路图



FAN7371 Rev.03

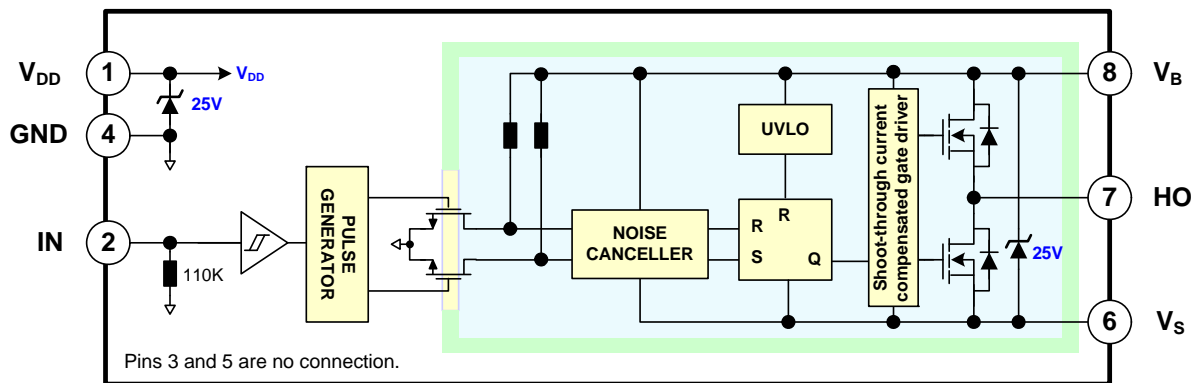
图 1. 浮动双向开关和半桥驱动器：PDP 应用



FAN7371 Rev.01

图 2. 降压直流 - 直流转换器应用

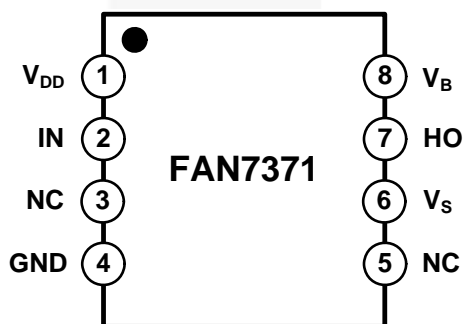
内部框图



FAN7371 Rev.04

图 3. 功能框图

引脚配置



FAN7371 Rev.01

图 4. 引脚配置 (俯视图)

引脚定义

引脚号	名称	说明
1	V <sub>DD</sub>	电源电压
2	IN	高侧栅极驱动器输出的逻辑输入
3	NC	无连接
4	GND	接地
5	NC	无连接
6	V <sub>S</sub>	高侧浮动电源电压返回
7	HO	高侧驱动输出
8	V <sub>B</sub>	高侧浮动电源

## 绝对最大额定值

应力超过绝对最大额定值，可能会损坏器件。在超出推荐的工作条件的情况下，该器件可能无法正常工作，所以不建议让器件在这些条件下长期工作。此外，长期在高于推荐的工作条件下工作，会影响器件的可靠性。绝对最大额定值仅是应力规格值。除非另有说明， $T_A = 25^\circ\text{C}$ 。

符号	特性	最小值	最大值	单位
$V_S$	高侧浮动偏置电压	$V_B - V_{SHUNT}$	$V_B + 0.3$	V
$V_B$	高侧浮动电源电压 <sup>(2)</sup>	-0.3	625.0	V
$V_{HO}$	高侧浮动输出电压	$V_S - 0.3$	$V_B + 0.3$	V
$V_{DD}$	低侧和逻辑电源电压 <sup>(2)</sup>	-0.3	$V_{SHUNT}$	V
$V_{IN}$	逻辑输入电压	-0.3	$V_{DD} + 0.3$	V
$dV_S/dt$	允许的偏置电压变化速率		$\pm 50$	V/ns
$P_D$	功耗 <sup>(3, 4, 5)</sup>		0.625	W
$\theta_{JA}$	热阻		200	$^\circ\text{C}/\text{W}$
$T_J$	结温	-55	+150	$^\circ\text{C}$
$T_{STG}$	存储温度	-55	+150	$^\circ\text{C}$
$T_A$	操作环境温度	-40	+125	$^\circ\text{C}$

### 注意：

- 该 IC 在  $V_{DD}$  和  $V_{BS}$  上包含一个电压调节器，标准击穿电压为 25 V。请注意该电源引脚不能由比电气特性部分指定的  $V_{SHUNT}$  高的低阻抗电压源驱动。
- 安装到 76.2 x 114.3 x 1.6mm PCB 板 (FR-4 环氧玻璃材料)。
- 参照下列标准：  
JESD51-2: 集成电路热测试方法环境条件 – 自然对流；  
JESD51-3: 含铅表面贴装封装的低有效导热系数测试板。
- 任何情况下，都不得超过功耗 ( $P_D$ )。

## 推荐工作条件

推荐的操作条件表明了器件的真实工作条件。指定推荐的工作条件，以确保器件的最佳性能达到数据表中的规格。飞兆不建议超出额定或依照绝对最大额定值进行设计。

符号	参数	最小值	最大值	单位
$V_{BS}$	高侧浮动电源电压	$V_S + 10$	$V_S + 20$	V
$V_S$	高侧浮动电源偏置电压	$6 - V_{DD}$	600	V
$V_{HO}$	高侧输出电压	$V_S$	$V_B$	V
$V_{IN}$	逻辑输入电压	GND	$V_{DD}$	V
$V_{DD}$	电源电压	10	20	V

## 电气特性

除非另有说明， $V_{BIAS}(V_{DD}、V_{BS})=15.0V$ 、 $T_A = 25^{\circ}C$ 。 $V_{IN}$  和  $I_{IN}$  参数以 GND 作为基准。 $V_O$  和  $I_O$  参数以  $V_S$  为参考点，适用于对应的输出 HO。

符号	特性	测试条件	最小值	典型值	最大值	单位
<b>电源部分</b>						
$I_{QDD}$	$V_{DD}$ 静态电源电流	$V_{IN}=0V$ 或 $5V$		25	70	$\mu A$
$I_{PDD}$	$V_{DD}$ 工作电源电流	$f_{IN}=20KHz$ , 空载		35	100	$\mu A$
<b>自举电源部分</b>						
$V_{BSUV+}$	$V_{BS}$ 电源欠压正向阈值	$V_{BS}=$ 扫描	8.2	9.2	10.2	V
$V_{BSUV-}$	$V_{BS}$ 电源欠压负向阈值	$V_{BS}=$ 扫描	7.5	8.5	9.5	V
$V_{BSHYS}$	$V_{BS}$ 电源欠压锁定滞回电压回差	$V_{BS}=$ 扫描		0.7		V
$I_{LK}$	偏置漏电流	$V_B=V_S=600V$			10	$\mu A$
$I_{QBS}$	$V_{BS}$ 静态电源电流	$V_{IN}=0V$ 或 $5V$		60	120	$\mu A$
$I_{PBS}$	$V_{BS}$ 工作电源电流	$C_{LOAD}=1nF$ , $f_{IN}=20KHz$ , rms 值		1.0	2.8	mA
<b>电压调节器部分</b>						
$V_{SHUNT}$	$V_{DD}$ 和 $V_{BS}$ 电压调节器钳位电压	$I_{SHUNT}=5mA$	24	25		V
<b>输入逻辑部分</b>						
$V_{IH}$	逻辑“1”输入电压		2.5			V
$V_{IL}$	逻辑“0”输入电压				0.8	V
$I_{IN+}$	逻辑输入高电平偏置电流	$V_{IN}=5V$		45	70	$\mu A$
$I_{IN-}$	逻辑输入低电平偏置电流	$V_{IN}=0V$			2	$\mu A$
$R_{IN}$	输入下拉电阻		70	110		K $\Omega$
<b>栅极驱动器输出部分</b>						
$V_{OH}$	高电平输出电压 ( $V_{BIAS} - V_O$ )	无负载			1.2	V
$V_{OL}$	低电平输出电压	无负载			30	mV
$I_{O+}$	输出高电平短路脉冲电流 <sup>(6)</sup>	$V_{HO}=0V, V_{IN}=5V, PW \leq 10\mu s$	3.0	4.0		A
$I_{O-}$	输出低电平短路脉冲电流 <sup>(6)</sup>	$V_{HO}=15V, V_{IN}=0V, PW \leq 10\mu s$	3.0	4.0		A
$V_S$	IN 信号传播到 HO 时允许的 $V_S$ 引脚负电压			-9.8	-7.0	V

注:

6 这些参数由设计保证。

## 动态电气特性

除非另有说明， $V_{DD}=V_{BS}=15V$ 、 $GND=0V$ 、 $C_{LOAD}=1000pF$ 、 $T_A=25^{\circ}C$ 。

符号	参数	工作条件	最小值	典型值	最大值	单位
$t_{on}$	导通传播延时时间	$V_S=0V$		150	210	ns
$t_{off}$	关断传播延时时间	$V_S=0V$		150	210	ns
$t_r$	导通上升时间			25	50	ns
$t_f$	关断下降时间			15	40	ns

典型特性

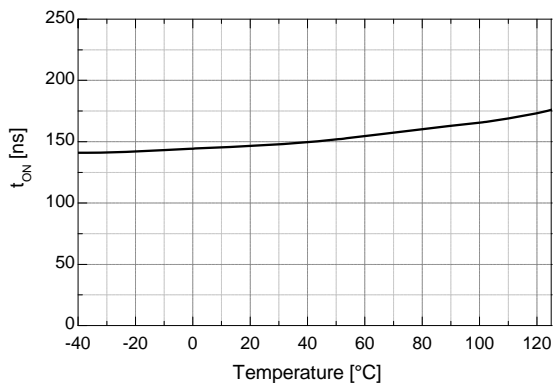


图 5. 导通传播延时与温度的关系

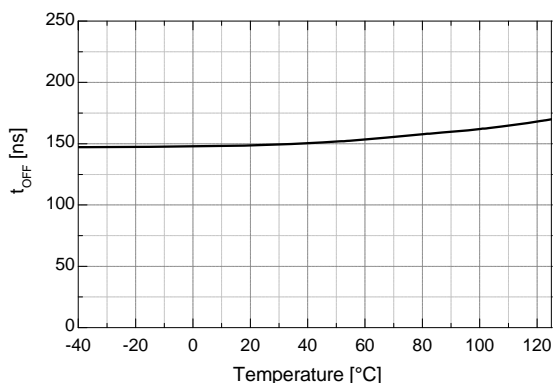


图 6. 关断传播延时与温度的关系

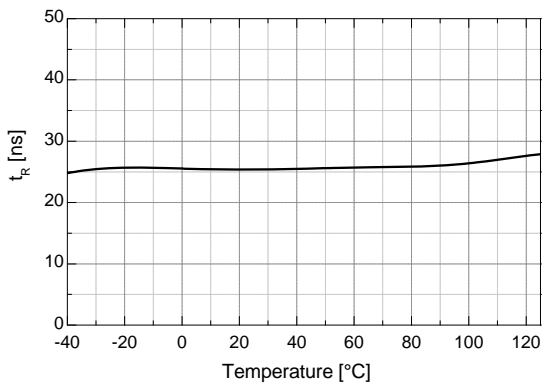


图 7. 导通上升时间与温度的关系

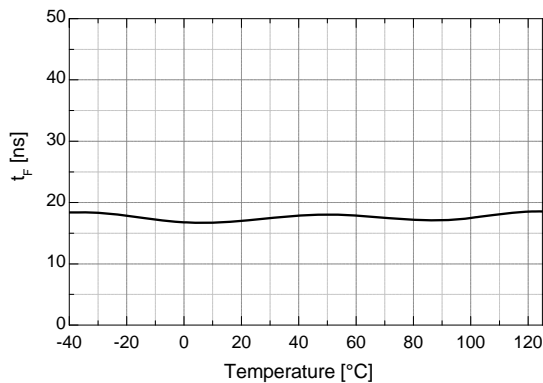


图 8. 关断下降时间与温度的关系

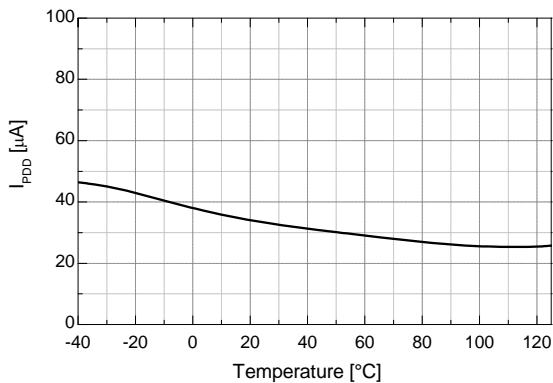


图 9. 工作时 V<sub>DD</sub> 电源电流与温度的关系

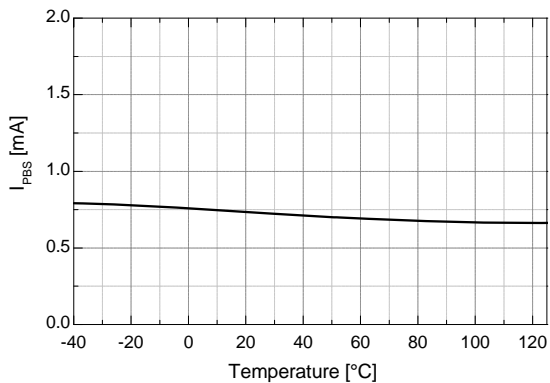


图 10. V<sub>BS</sub> 工作电源电流与温度的关系

典型特性 (续)

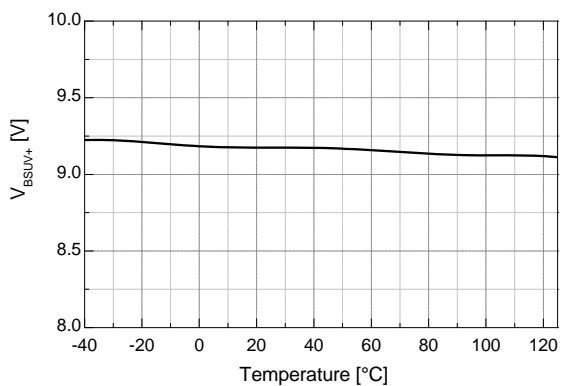


图 11.  $V_{BS}$  UVLO+ 与温度的关系

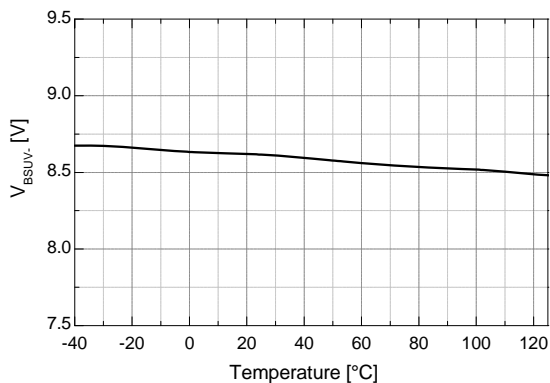


图 12.  $V_{BS}$  UVLO- 与温度的关系

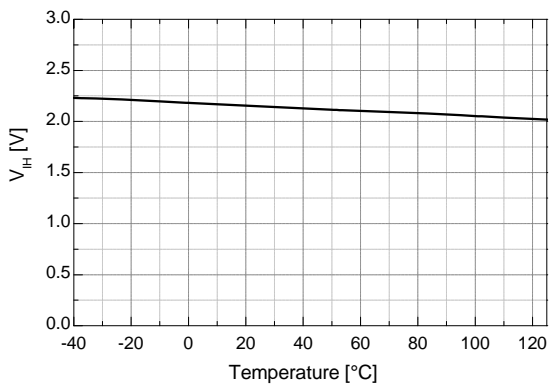


图 13. 逻辑高电平输入电压与温度的关系

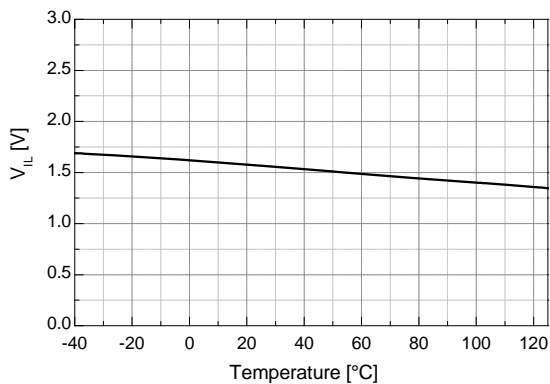


图 14. 逻辑低电平输入电压与温度的关系

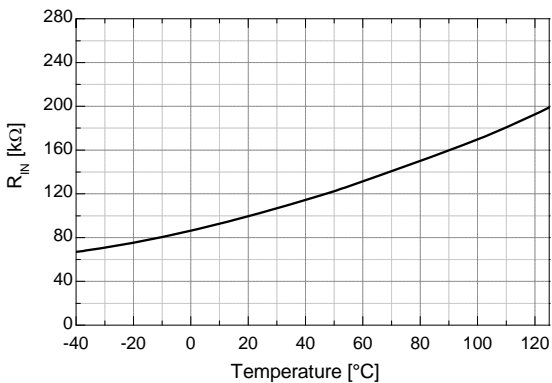


图 15. 输入下拉电阻与温度的关系

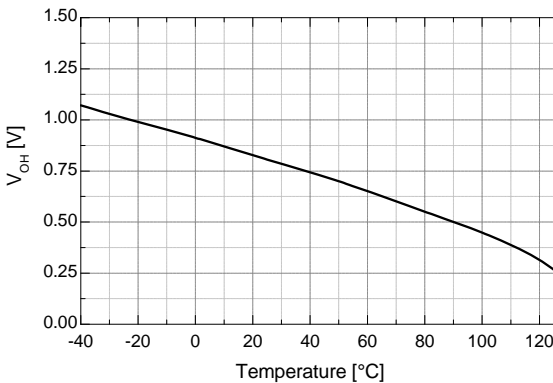


图 16. 高电平输出电压与温度的关系



典型特性 (续)

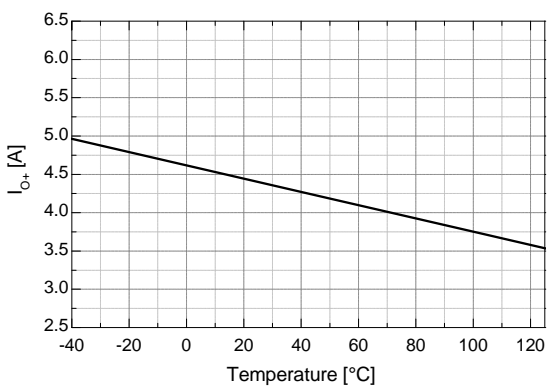


图 17. 输出高电平短路脉冲电流与温度的关系

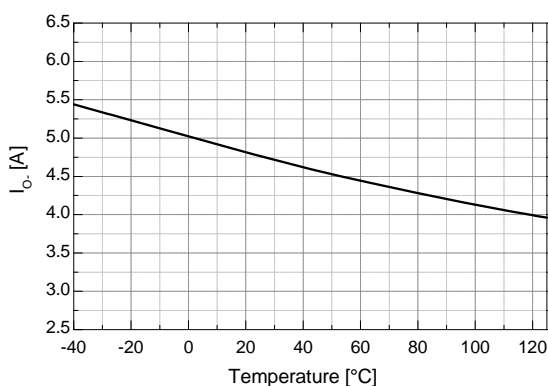


图 18. 输出低电平短路脉冲电流与温度的关系

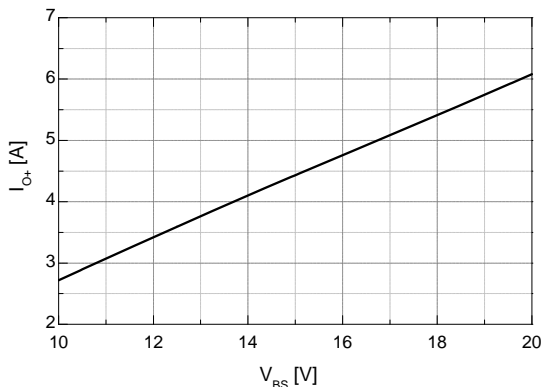


图 19. 输出高电平短路脉冲电流与电源电压的关系

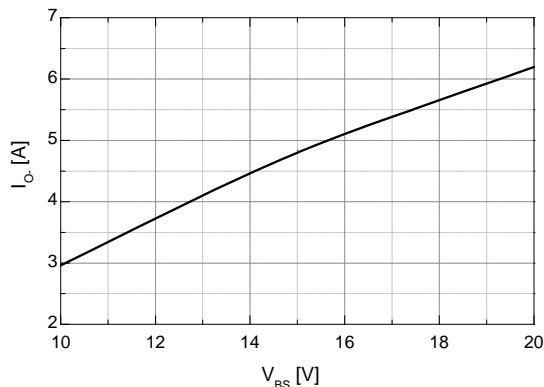


图 20. 输出低电平短路脉冲电流与电源电压的关系

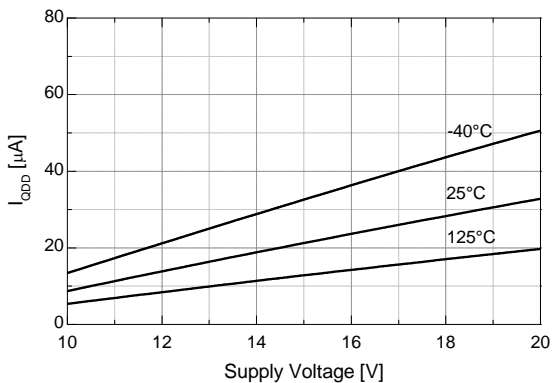


图 21. V<sub>DD</sub> 静态电源电流与电源电压的关系

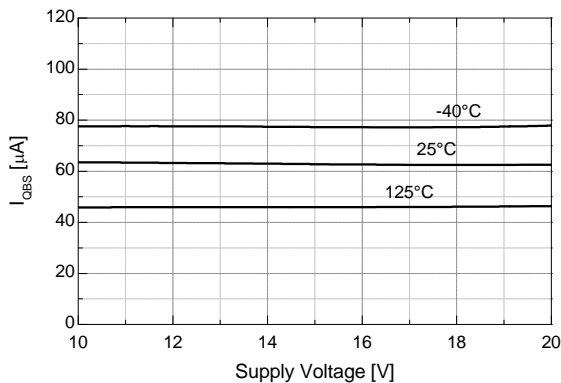


图 22. V<sub>BS</sub> 静态电源电流与电源电压的关系

### 开关时间定义

#### 时序图

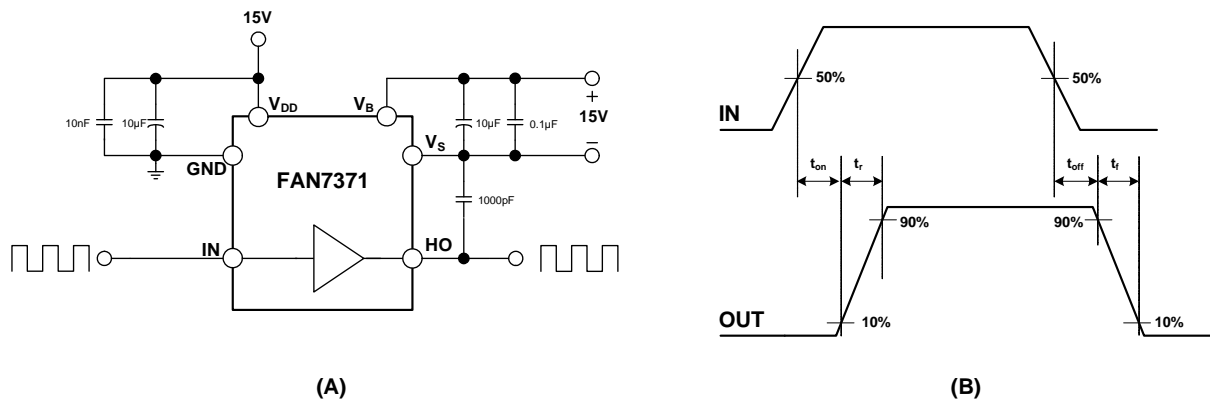


图 23. 开关时间测试电路和波形定义

物理尺寸

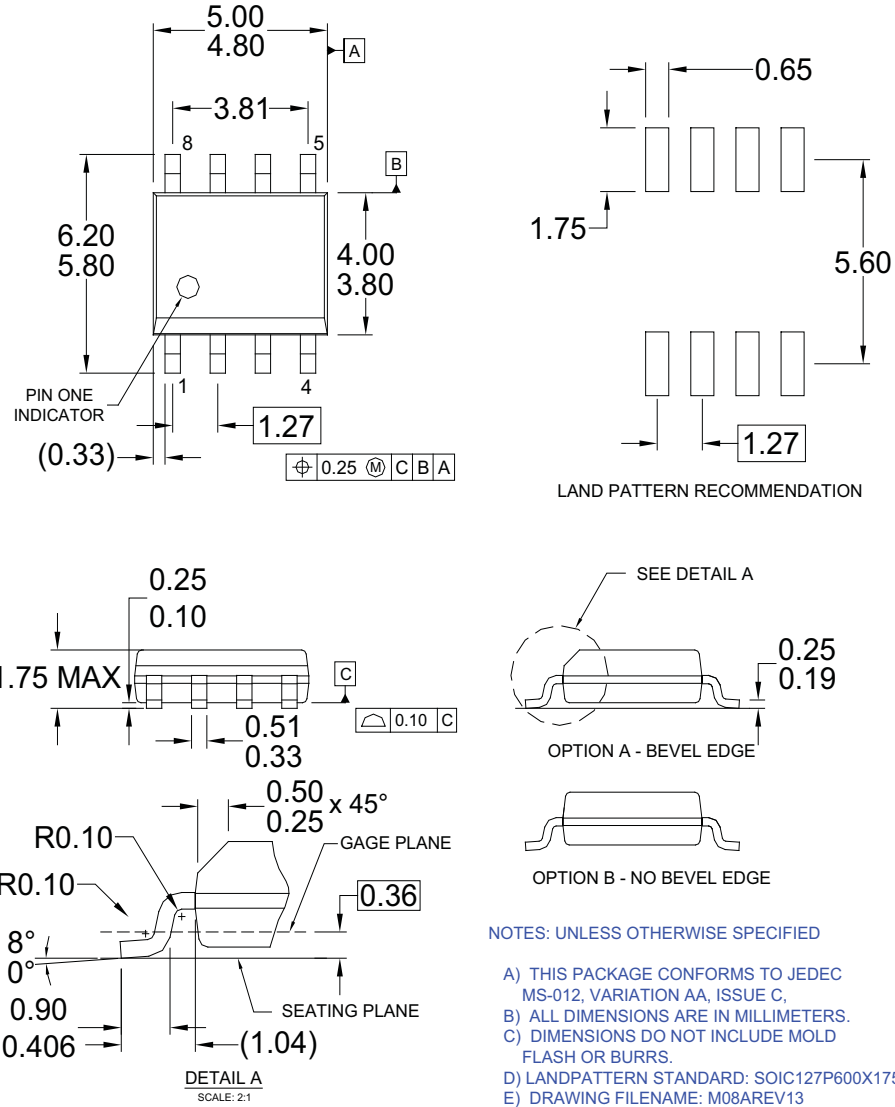


图 24. 8- 引脚小尺寸封装 (SOP)

封装图纸是作为一项服务而提供给考虑选用飞兆半导体产品的客户。具体参数可能会有变化，且不会做出相应通知。请注意图纸上的版本和 / 或日期，并联系飞兆半导体代表核实或获得最新版本。封装规格并不超出飞兆公司全球范围内的条款与条件，尤其指保修，保修涵盖飞兆半导体的全部产品。

随时访问飞兆半导体在线封装网页，可以获取最新的封装图纸：

<http://www.fairchildsemi.com/packaging/>



**TRADEMARKS**

The following includes registered and unregistered trademarks and service marks, owned by Fairchild Semiconductor and/or its global subsidiaries, and is not intended to be an exhaustive list of all such trademarks.

AccuPower™	FlashWriter®*	Power-SPM™	SYSTEM GENERAL The Power Franchise® power franchise TinyBoost™ TinyBuck™ TinyCalc™ TinyLogic® TINYOPTO™ TinyPower™ TinyPWM™ TinyWire™ TriFault Detect™ TRUECURRENT™* µSerDes™ SerDes™ UHC® Ultra FRFET™ UniFET™ VCX™ VisualMax™ XS™
Auto-SPM™	FP5™	PowerTrench®	
Build it Now™	F-PFS™	PowerXS™	
CorePLUS™	FRFET®	Programmable Active Droop™	
CorePOWER™	Global Power Resource SM	QFET®	
CROSSVOLT™	Green FP5™	Q5™	
CTL™	Green FP5™ e-Series™	Quiet Series™	
Current Transfer Logic™	Gmax™	RapidConfigure™	
EcoSPARK®	GTO™	™	
EfficientMax™	IntelliMAX™	Saving our world, 1mW/W/KW at a time™	
EZSWITCH™*	ISOPLANAR™	SignalWise™	
™**	MegaBuck™	SmartMax™	
DEUXPEED™	MICROCOUPLER™	SMART START™	
™	MicroFET™	SPM®	
Fairchild®	MicroPak™	STEALTH™	
Fairchild Semiconductor®	MillerDrive™	SuperFET™	
FACT Quiet Series™	MotionMax™	SuperSOT™-3	
FACT®	Motion-SPM™	SuperSOT™-6	
FAST®	OPTOLOGIC®	SuperSOT™-8	
FastvCore™	OPTOPLANAR®	SupreMOS™	
FETBench™	™	SyncFET™	
	PDP SPM™	Sync-Lock™	

\* Trademarks of System General Corporation, used under license by Fairchild Semiconductor.

**DISCLAIMER**

FAIRCHILD SEMICONDUCTOR RESERVES THE RIGHT TO MAKE CHANGES WITHOUT FURTHER NOTICE TO ANY PRODUCTS HEREIN TO IMPROVE RELIABILITY, FUNCTION, OR DESIGN. FAIRCHILD DOES NOT ASSUME ANY LIABILITY ARISING OUT OF THE APPLICATION OR USE OF ANY PRODUCT OR CIRCUIT DESCRIBED HEREIN; NEITHER DOES IT CONVEY ANY LICENSE UNDER ITS PATENT RIGHTS, NOR THE RIGHTS OF OTHERS. THESE SPECIFICATIONS DO NOT EXPAND THE TERMS OF FAIRCHILD'S WORLDWIDE TERMS AND CONDITIONS, SPECIFICALLY THE WARRANTY THEREIN, WHICH COVERS THESE PRODUCTS.

**LIFE SUPPORT POLICY**

FAIRCHILD'S PRODUCTS ARE NOT AUTHORIZED FOR USE AS CRITICAL COMPONENTS IN LIFE SUPPORT DEVICES OR SYSTEMS WITHOUT THE EXPRESS WRITTEN APPROVAL OF FAIRCHILD SEMICONDUCTOR CORPORATION.

As used herein:

1. Life support devices or systems are devices or systems which, (a) are intended for surgical implant into the body or (b) support or sustain life, and (c) whose failure to perform when properly used in accordance with instructions for use provided in the labeling, can be reasonably expected to result in a significant injury of the user.
2. A critical component in any component of a life support, device, or system whose failure to perform can be reasonably expected to cause the failure of the life support device or system, or to affect its safety or effectiveness.

**ANTI-COUNTERFEITING POLICY**

Fairchild Semiconductor Corporation's Anti-Counterfeiting Policy. Fairchild's Anti-Counterfeiting Policy is also stated on our external website, [www.fairchildsemi.com](http://www.fairchildsemi.com), under Sales Support.

Counterfeiting of semiconductor parts is a growing problem in the industry. All manufacturers of semiconductor products are experiencing counterfeiting of their parts. Customers who inadvertently purchase counterfeit parts experience many problems such as loss of brand reputation, substandard performance, failed applications, and increased cost of production and manufacturing delays. Fairchild is taking strong measures to protect ourselves and our customers from the proliferation of counterfeit parts. Fairchild strongly encourages customers to purchase Fairchild parts either directly from Fairchild or from Authorized Fairchild Distributors who are listed by country on our web page cited above. Products customers buy either from Fairchild directly or from Authorized Fairchild Distributors are genuine parts, have full traceability, meet Fairchild's quality standards for handling and storage and provide access to Fairchild's full range of up-to-date technical and product information. Fairchild and our Authorized Distributors will stand behind all warranties and will appropriately address any warranty issues that may arise. Fairchild will not provide any warranty coverage or other assistance for parts bought from Unauthorized Sources. Fairchild is committed to combat this global problem and encourage our customers to do their part in stopping this practice by buying direct or from authorized distributors.

**PRODUCT STATUS DEFINITIONS**

**Definition of Terms**

Datasheet Identification	Product Status	Definition
Advance Information	Formative / In Design	Datasheet contains the design specifications for product development. Specifications may change in any manner without notice.
Preliminary	First Production	Datasheet contains preliminary data; supplementary data will be published at a later date. Fairchild Semiconductor reserves the right to make changes at any time without notice to improve design.
No Identification Needed	Full Production	Datasheet contains final specifications. Fairchild Semiconductor reserves the right to make changes at any time without notice to improve the design.
Obsolete	Not In Production	Datasheet contains specifications on a product that is discontinued by Fairchild Semiconductor. The datasheet is for reference information only.

Rev. I43

ON Semiconductor and  are trademarks of Semiconductor Components Industries, LLC dba ON Semiconductor or its subsidiaries in the United States and/or other countries. ON Semiconductor owns the rights to a number of patents, trademarks, copyrights, trade secrets, and other intellectual property. A listing of ON Semiconductor's product/patent coverage may be accessed at [www.onsemi.com/site/pdf/Patent-Marking.pdf](http://www.onsemi.com/site/pdf/Patent-Marking.pdf). ON Semiconductor reserves the right to make changes without further notice to any products herein. ON Semiconductor makes no warranty, representation or guarantee regarding the suitability of its products for any particular purpose, nor does ON Semiconductor assume any liability arising out of the application or use of any product or circuit, and specifically disclaims any and all liability, including without limitation special, consequential or incidental damages. Buyer is responsible for its products and applications using ON Semiconductor products, including compliance with all laws, regulations and safety requirements or standards, regardless of any support or applications information provided by ON Semiconductor. "Typical" parameters which may be provided in ON Semiconductor data sheets and/or specifications can and do vary in different applications and actual performance may vary over time. All operating parameters, including "Typicals" must be validated for each customer application by customer's technical experts. ON Semiconductor does not convey any license under its patent rights nor the rights of others. ON Semiconductor products are not designed, intended, or authorized for use as a critical component in life support systems or any FDA Class 3 medical devices or medical devices with a same or similar classification in a foreign jurisdiction or any devices intended for implantation in the human body. Should Buyer purchase or use ON Semiconductor products for any such unintended or unauthorized application, Buyer shall indemnify and hold ON Semiconductor and its officers, employees, subsidiaries, affiliates, and distributors harmless against all claims, costs, damages, and expenses, and reasonable attorney fees arising out of, directly or indirectly, any claim of personal injury or death associated with such unintended or unauthorized use, even if such claim alleges that ON Semiconductor was negligent regarding the design or manufacture of the part. ON Semiconductor is an Equal Opportunity/Affirmative Action Employer. This literature is subject to all applicable copyright laws and is not for resale in any manner.

## PUBLICATION ORDERING INFORMATION

### LITERATURE FULFILLMENT:

Literature Distribution Center for ON Semiconductor  
19521 E. 32nd Pkwy, Aurora, Colorado 80011 USA  
**Phone:** 303-675-2175 or 800-344-3860 Toll Free USA/Canada  
**Fax:** 303-675-2176 or 800-344-3867 Toll Free USA/Canada  
**Email:** [orderlit@onsemi.com](mailto:orderlit@onsemi.com)

**N. American Technical Support:** 800-282-9855 Toll Free  
USA/Canada  
**Europe, Middle East and Africa Technical Support:**  
Phone: 421 33 790 2910  
**Japan Customer Focus Center**  
Phone: 81-3-5817-1050

**ON Semiconductor Website:** [www.onsemi.com](http://www.onsemi.com)  
**Order Literature:** <http://www.onsemi.com/orderlit>  
For additional information, please contact your local  
Sales Representative