

# EZAIRO 7150 SL HYBRID

## Wireless-Enabled Audio Processor for Digital Hearing Aids

### Introduction

EZAIRO<sup>®</sup> 7150 SL is an open-programmable DSP-based hybrid specifically designed for use in wirelessly connected, high-performance hearing aids and hearing implant devices. The Ezairo 7150 SL hybrid includes the Ezairo 7100 System-on-Chip (SoC) with its high-precision quad-core architecture that delivers 375 MIPS, without sacrificing power consumption.

The highly-integrated Ezairo 7100 includes an optimized, dual-Harvard CFX Digital Signal Processor (DSP) core and HEAR Configurable Accelerator signal processing engine. It also features an ARM<sup>®</sup> Cortex<sup>®</sup>-M3 Processor Subsystem that supports various types of protocols for wireless communication. This block combines an open-programmable controller with hardware accelerators for audio coding and error correction support.

Ezairo 7100 also includes a programmable Filter Engine that enables time domain filtering and supports an ultra-low-delay audio path. When combined with non-volatile memory and wireless transceivers, Ezairo 7100 forms a complete hardware platform.

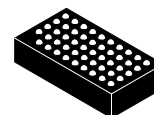
The Ezairo 7150 SL hybrid includes the nRF51822 wireless transceiver from Nordic Semiconductor. The nRF51822 is a powerful, highly flexible multi-protocol SoC ideally suited for Bluetooth<sup>®</sup> Low Energy (BLE) and 2.4 GHz ultra-low-power wireless applications.

Ezairo 7150 SL also contains 2 Mb EEPROM storage and the necessary passive components to directly interface with the transducers required in a hearing aid.



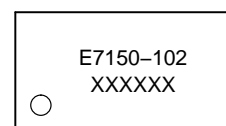
**ON Semiconductor<sup>®</sup>**

[www.onsemi.com](http://www.onsemi.com)



**SIP49  
EZAIRO  
CASE 127DQ**

### MARKING DIAGRAM



(Top View)

E7150-102 = Specific Device Code  
XXXXXX = Work Order Number

### ORDERING INFORMATION

Device	Package	Shipping <sup>†</sup>
E7150-102A49-AG	SIP49 (Pb-Free)	250 / Tape & Reel

<sup>†</sup>For information on tape and reel specifications, including part orientation and tape sizes, please refer to our Tape and Reel Packaging Specification Brochure, BRD8011/D.

# EZAIRO 7150 SL HYBRID

## Key Features

- **Programmable Flexibility:** the open-programmable DSP-based system can be customized to the specific signal processing needs of manufacturers. Algorithms and features can be modified or completely new concepts implemented without having to modify the chip.
- **Fully Integrated Hybrid:** includes the Ezairo 7100 SoC, nRF51822 radio IC, 2 Mb EEPROM storage, and the necessary passive components to directly interface with the transducers required in a hearing aid.
- **Quad-core Architecture:** includes a CFX DSP, a HEAR Configurable Accelerator, an ARM Cortex-M3 Processor Subsystem, and a programmable Filter Engine. The system also includes an efficient Input/Output Controller (IOC), system memories, input and output stages, along with a full complement of peripherals and interfaces.
- **CFX DSP:** a highly cycle-efficient, programmable core that uses a 24-bit fixed-point, dual-MAC, dual-Harvard architecture.
- **HEAR Configurable Accelerator:** a highly optimized signal processing engine designed to perform common signal processing operations and complex standard filterbanks.
- **ARM Cortex-M3 Processor Subsystem:** a complete subsystem that supports efficient data transfer to and from the wireless transceiver or multiple transceivers. The subsystem includes hardwired CODECS (G.722, CVSD) and Error Correction support (Reed-Solomon, Hamming), as well as a fully programmable ARM Cortex-M3 processor and dedicated interfaces.
- **Programmable Filter Engine:** a filtering system that allows applying a various range of pre- or post-processing filtering, such as IIR, FIR and biquad filters.
- **Configurable System Clock Speeds:** 1.28 MHz, 1.92 MHz, 2.56 MHz, 3.84 MHz, 5.12 MHz, 6.4 MHz, 7.68 MHz, 8.96 MHz, 9.60 MHz, 10.24 Mhz (default clock calibration), 12.80MHz and 15.36MHz to optimize the computing performance versus power consumption ratio. The calibration entires for these 12 clock speeds are stored in the manufacturing area of the EEPROM.
- **Ultra-low Delay:** programmable Filter Engine supports an ultra-low-delay audio path of 0.044 ms (44  $\mu$ s) for superior performance of features such as occlusion management.
- **Ultra-high Fidelity:** 85 dB system dynamic range with up to 110 dB input signal dynamic range, exceptionally-low system noise and low group delay.
- **Ultra-low Power Consumption:** <0.7 mA @ 10.24 MHz system clock (executing a tight MAC-loop in the CFX DSP core plus a typical hearing aid filterbank on the HEAR Configurable Accelerator).
- **High Output Level:** output levels of ~139 dB SPL possible with low impedance receiver (measured using IEC 711 coupler).
- **Diverse Memory Architecture:** a total of 40 kwords of program memory and 44 kwords of data memory, shared between the four cores included on the Ezairo 7100 chip.
- **Data Security:** sensitive program data can be encrypted for storage in EEPROM to prevent unauthorized parties from gaining access to proprietary algorithm intellectual property.
- **Signal Detection Unit:** ultra-low-power detection system for signals on any analog inputs.
- **High Speed Communication Interface:** fast I<sup>2</sup>C-based interface for quick download, debugging and general communication.
- **Highly Configurable Interfaces:** two PCM interfaces, two I<sup>2</sup>C interfaces, two SPI interfaces, a UART interface as well as multiple GPIOs can be used to stream configuration, control or signal data into and out of the Ezairo 7150 SL hybrid.
- **On-chip PLL:** support for communication synchronization with wireless transceiver.
- **Glueless MMI:** link to various analog and digital user interfaces such as analog or digital volume control potentiometers, push buttons for program selection and microphone/telecoil switching.
- **Fitting Support:** support for Microcard, HI-PRO 2, HI-PRO USB, QuickCom, and NOAHlink™, including NOAHlink's audio streaming feature.
- **Development Tools:** designed to assist with product development, tools include optimized interface hardware available with USB support as well as a full IDE that can be used for every step of program development including testing and debugging.
- **These Devices are Pb-Free, Halogen Free/BFR Free and are RoHS Compliant.**

# EZAIRO 7150 SL HYBRID

**Table 1. ABSOLUTE MAXIMUM RATINGS**

Symbol	Parameter	Min	Max	Unit
VBAT	Power supply voltage		2	V
VBATOD	Output drivers power supply voltage		2	V
VDDO <sub>1,2,3</sub>	I/O supply voltage		3.3 (Note 1)	V
V <sub>in</sub>	Voltage at any input pin	GND-0.3	VDDO + 0.3	V
DGND, AGND, HGND	Digital and Analog Grounds	0	-	V
T functional	Functional temperature range (Note 2)	-40	85	°C
T operational	Operational temperature range (Note 2)	0	50	°C
T storage	Storage temperature range	-40	85	°C

Caution: Class 2 ESD Sensitivity, JEDEC22 – A114 – B (2000 V)

Stresses exceeding those listed in the Maximum Ratings table may damage the device. If any of these limits are exceeded, device functionality should not be assumed, damage may occur and reliability may be affected.

1. In some applications, VDDO can be higher than 2.1 V (maximum 3.3 V). In such cases, the user must set the VDDM voltage at a minimum of 1.1 V
2. Electrical Specification may exceed listed tolerances when out of the temperature range 0 to 50°C

## Electrical Performance Specifications

The tests were performed at 20°C with a 1.25 V supply voltage and 4.7 Ω series resistor to simulate a nominal hearing aid battery. The system clock (SYS\_CLK) was set to 5.12 MHz and an audio input sampling frequency of 16 kHz was used. Parameters marked as screened are tested on each chip.

**Table 2. ELECTRICAL SPECIFICATIONS**

Description	Symbol	Conditions	Min	Typ	Max	Units	Screened
<b>OVERALL</b>							
Supply Voltage	VBAT	Supply voltage measured at the VBAT pin	1.05	1.25	2.0	V	
I/O Supply Voltage Domain 1,2	VDDO <sub>1,2</sub>		1.05	-	3.3	V	
I/O Supply Voltage Domain 3	VDDO <sub>3</sub>		1.05	-	Vbat	V	
Current consumption	I <sub>VBAT</sub>	Filterbank: 30% load CFX: 100% load SYS_CLK: 10.24 MHz. No activity on the rRF15822	-	700	-	μA	
Stand by current	I <sub>stb</sub>	Using ON's macro to put the Ezairo 7100 DSP in Standby Mode. Include 30 μA coming from the nRF51822 standby current.		70	150	μA	
<b>VREG</b>							
Regulated voltage output	VREG	I <sub>load</sub> =100 μA	0.96	0.97	0.98	V	✓
Regulator PSRR	VREG <sub>PSRR</sub>	1 kHz, VBAT=1.25 V	76	80	-	dB	
Load current	I <sub>LOAD</sub>		-	-	2	mA	
Load regulation	LOAD <sub>REG</sub>	5 μA < I <sub>load</sub> < 2 mA	-	4	10	mV/mA	
Line regulation	LINE <sub>REG</sub>	I <sub>load</sub> = 1 mA	-	2	5	mV/V	
<b>VDDA</b>							
Output voltage trimming range	VDDA	Control register configured, typical values	1.8	2.0	2.1	V	✓
Regulator PSRR	VDDA <sub>PSRR</sub>	1 kHz, VBAT=1.25V	40	50	-	dB	
Load current	I <sub>LOAD</sub>		-	-	1	mA	
Load regulation	LOAD <sub>REG</sub>	VBAT = 1.2 V; 100_μA < I <sub>load</sub> < 1 mA	-	4	10	mV/mA	

# EZAIRO 7150 SL HYBRID

**Table 2. ELECTRICAL SPECIFICATIONS**

Description	Symbol	Conditions	Min	Typ	Max	Units	Screened
<b>VDDA</b>							
Line regulation	LINE <sub>REG</sub>	1.2 V < V <sub>BAT</sub> < 1.86 V; I <sub>load</sub> = 100 $\mu$ A	–	6	20	mV/V	
<b>VDBL</b>							
Output voltage trimming range	VDBL	Control register configured, typical values, unloaded	1.6	2.0	2.2	V	✓
Regulator PSRR	VDBL <sub>PSRR</sub>	1 kHz, V <sub>BAT</sub> =1.25 V	30	40	–	dB	
Load current	I <sub>LOAD</sub>	ITRIM (A_CP_VDBL_CTRL) = 0x7	–	–	15	mA	
Load regulation	LOAD <sub>REG</sub>	V <sub>BAT</sub> = 1.2 V; 100 $\mu$ A < I <sub>load</sub> < 3 mA	–	4	10	mV/mA	
Line regulation	LINE <sub>REG</sub>	V <sub>BAT</sub> > 1.2 V; I <sub>load</sub> = 100 $\mu$ A	–	6	20	mV/V	
<b>VDDC</b>							
Digital supply output voltage trimming range	VDDC	Control register configured, typical values, unloaded	0.72	– (Note 3)	1.32	V	✓
VDDC output level adjustment	VDDC <sub>STEP</sub>		1.5	2.5	3	mV	✓
Regulator PSRR	VDDC <sub>PSRR</sub>	1 kHz, V <sub>BAT</sub> =1.25 V	25	30	–	dB	
Load current	I <sub>LOAD</sub>	Delivered by LDO	–	–	5	mA	
Load regulation	LOAD <sub>REG</sub>		–	5	10	mV/mA	
Line regulation	LINE <sub>REG</sub>		–	6	12	mV/V	
<b>VDDM</b>							
Memory supply output voltage trimming range	VDDM	Control register configured, typical values, unloaded	0.82	– (Note 4)	1.32	V	✓
VDDM output level adjustment	VDDM <sub>STEP</sub>		1.5	2.5	3	mV	✓
Regulator PSRR	VDDM <sub>PSRR</sub>	1 kHz, V <sub>BAT</sub> =1.25 V	25	30	–	dB	
Load current	I <sub>LOAD</sub>	Delivered by LDO	–	–	5	mA	
Load regulation	LOAD <sub>REG</sub>		–	5	10	mV/mA	
Line regulation	LINE <sub>REG</sub>		–	6	12	mV/V	
<b>POWER-ON-RESET</b>							
POR startup voltage	VBAT <sub>STARTUP</sub>		–	0.9	–	V	✓ (Note 5)
POR shutdown voltage	VBAT <sub>SHUTDOWN</sub>		–	0.88	–	V	✓ (Note 6)
<b>INPUT STAGE</b>							
Analog input voltage range	V <sub>IN</sub>		0	–	2	V	
Preamplifier gain	PAG	3 dB steps	0	–	36	dB	✓
Preamplifier gain accuracy	PAG acc	1 kHz, PAG from 0 to 36 dB	–1.5	0	1.5	dB	✓
Input impedance	R <sub>IN</sub>	Non-0dB preamplifier gains	370	500	725	k $\Omega$	✓

# EZAIR 7150 SL HYBRID

**Table 2. ELECTRICAL SPECIFICATIONS**

Description	Symbol	Conditions	Min	Typ	Max	Units	Screened
<b>INPUT STAGE</b>							
Input referred noise	IN <sub>IRN</sub>	AIR connected to AGND Unweighted, 100 Hz to 10 kHz BW Preamplifier settings:				μVrms	
		0 dB		53	–		
		12 dB		13	–		
		15 dB		9	–		
		18 dB		6.6	10.6		✓
		21 dB		4.9	–		
		24 dB		4.3	–		
		27 dB		3.7	–		
		30 dB		3.2	–		
		33 dB		3.2	–		
36 dB		3.2	–				
Input Dynamic Range (Note 7)	IN <sub>DR</sub>	AIR connected to AGND Unweighted, 100 Hz to 10 kHz BW Preamplifier settings:				dB	
		0 dB	–	86			
		12 dB	–	86			
		15 dB	–	86			
		18 dB	81	86			✓
		21 dB	–	85			
		24 dB	–	82			
		27 dB	–	82			
		30 dB	–	80			
		33 dB	–	77			
36 dB	–	74					
Input peak THD+N	IN <sub>THD+N</sub>	Any preamplifier gain –10 dBFS signal at preamp output, 1kHz.	–	–	–68	dB	✓
<b>OUTPUT DRIVER</b>							
Maximum peak current	IDO	High Power mode	–	–	25	mA	
Output impedance	RDO	Normal mode, Iload = 1 mA	–	4.5	5.5	Ω	
Output impedance	RDO	High Power mode	–	2.5	4	Ω	
Output dynamic range	DO <sub>DR</sub>	Normal mode, VBAT=1.25V	90	–	–	dB	
Output THD+N	DO <sub>THDN</sub>	At 1 kHz, –6 dBFS, 8 kHz bandwidth, VBAT=1.25V, normal mode	–	–78	–76	dB	
<b>10-BIT LOW-SPEED A/D</b>							
Input voltage range	LSAD <sub>RANGE</sub>	Peak input voltage	0	–	1.94	V	✓
INL	LSAD <sub>INL</sub>	From GND to 2*VREG	–4	–	+4	LSB	
DNL	LSAD <sub>DNL</sub>	From GND to 2*VREG	–2	–	+2	LSB	
Sampling frequency	LSAD <sub>SF</sub>	All channels sequentially	–	12.8	–	kHz	
Channel sampling frequency	LSAD <sub>CH_SF</sub>		–	1.6	–	kHz	
<b>SIGNAL DETECTION UNIT</b>							
Preamplifier gain	SDU <sub>PAG</sub>	3 dB steps	0	–	36	dB	✓

# EZAIRO 7150 SL HYBRID

**Table 2. ELECTRICAL SPECIFICATIONS**

Description	Symbol	Conditions	Min	Typ	Max	Units	Screened
<b>SIGNAL DETECTION UNIT</b>							
Equivalent IRN	SDU <sub>IRN</sub>	Non-weighted, 30 dB gain, 100 Hz – 10 kHz	–	–	20	μVrms	✓
Input impedance	SDU <sub>R</sub>		370	500	725	kOhm	✓
Low Pass Filter Bandwidth	SDU <sub>LPF</sub>			50		kHz	
ADC input signal range	SDU <sub>RANGE</sub>	Referred to VREG	–1		+1	V	
ADC resolution	SDU <sub>RES</sub>			12		bits	
ADC sampling frequency	SDU <sub>SF</sub>	At slow_clock = 1.28 MHz	1		64	kHz	

**DIGITAL**

Voltage level for high input	V <sub>IH</sub>		VDD O*0.8	–	–	V	✓
Voltage level for low input	V <sub>IL</sub>		–	–	VDDO*0.2	V	✓
Voltage level for high output	V <sub>OH</sub>	2 mA source current	VDD O*0.8	–		V	✓
Voltage level for low output	V <sub>OL</sub>	2 mA sink current	–	–	VDDO*0.2	V	✓
Oscillator frequency trimming precision	SYS_CLK		–1	–	+1	%	✓
Oscillator frequency stability over temperature	SYS_CLK	Over temperature range of 0 to 50°C	–1.5	–	+1.5	%	
Recommended working frequency	SYS_CLK	For recommended VDDC and VDDM	1.28	–	15.36	MHz	
Oscillator period jitter		RMS at System clock: 1.28 MHz, before multiplication	–	–	400	ps	
PLL lock time		For an input phase error <2%, input reference clock of 128 kHz, output clock of 2.56MHz	–	–	10	ms	✓
PLL tracking range			–2	–	2	%	

**LOW DELAY PATH**

Group Delay		Using the low delay path of the Filter Engine	–	44	–	μs	
-------------	--	---	---	----	---	----	--

**EEPROM**

EEPROM burn cycles		Per EA2M datasheet	1'000 000	–	–	Cycles	
Current consumption – writing to EEPROM	I <sub>W</sub>			0.7		mA	
Current consumption – read from EEPROM	I <sub>R</sub>			0.4		mA	

**RADIO ANTENNA MATCHING NETWORK**

Optimum differential impedance at 2.4 Ghz seen into the matching network from pin ANT1 and ANT2	ZANT1, ANT2		–	12.6 + j106	–	Ω	
---	----------------	--	---	----------------	---	---	--

Product parametric performance is indicated in the Electrical Characteristics for the listed test conditions, unless otherwise noted. Product performance may not be indicated by the Electrical Characteristics if operated under different conditions.

3. Recommended VDDC values depend on the system clock (SYS\_CLK) frequency. Table 3 gives the recommended VDDC values for different system clocks.
4. The minimum VDDM value required for proper system functioning is 0.90V
5. Pass fail test with 0.855 V and 0.945 V
6. Pass fail test with 0.835 V and 0.925 V
7. The audio performance might be slightly impacted when the nRF51822 radio is turned on. Degradation depends on the duty cycle of the communication, on the external components,...

# EZAIRO 7150 SL HYBRID

**Table 3. RECOMMENDED MINIMUM VDDC LEVEL**

Operating Frequency (MHz)	Minimum VDDC Voltage (V)
1.28 to 5.12	0.73
5.13 to 10.24	0.82 (Note 8)
10.25 to 12.8	0.85
12.81 to 15.36	0.88 (Note 9)

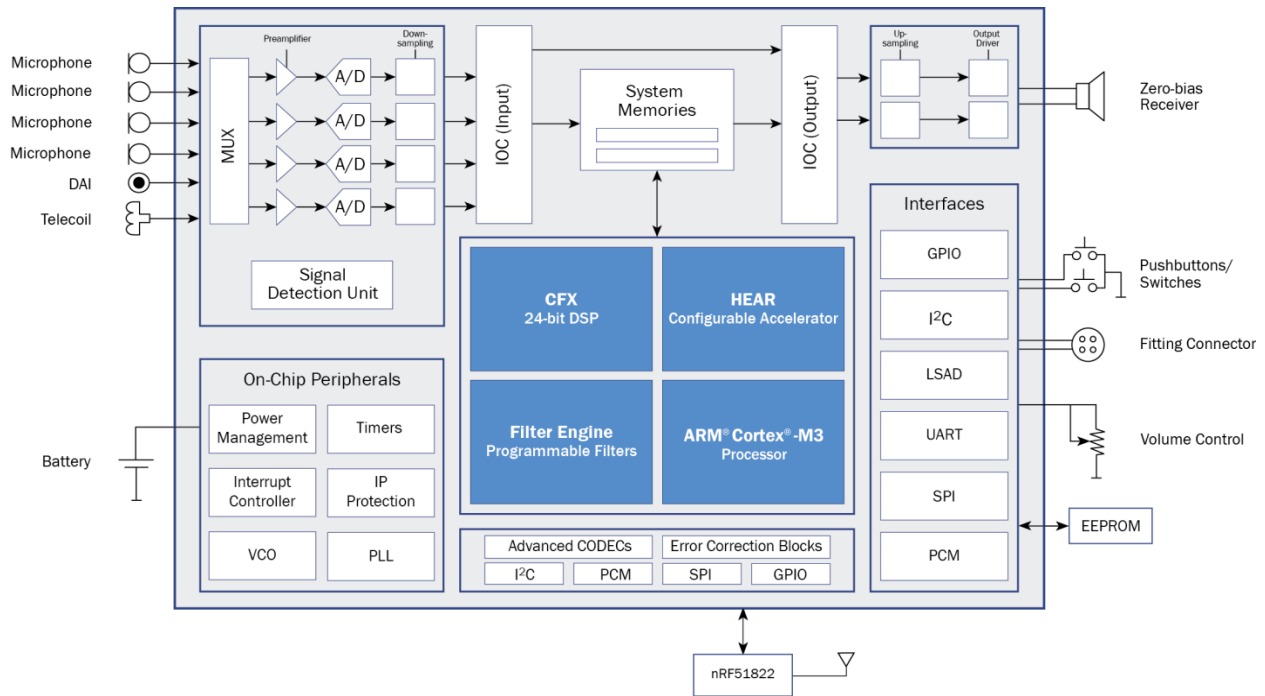
8. The default VDDC calibration entry, stored in the manufacturing area of the EEPROM at address 0x0064, should be used for operation at 0.82V.
9. An alternate VDDC calibration entry, stored in the manufacturing area of the EEPROM at address 0x00E8, should be used for operation at 0.88V.

## Packaging and Manufacturing

- **Ultra-Miniature Form Factor:** suitable for all hearing aid styles including CIC, ITE, RITE, BTE, and mini-BTE.
- **RoHS compliant:** the Ezairo 7150 SL hybrid complies with the RoHS directive.
- **Reflowable:** the Ezairo 7150 SL hybrid is reflowable onto FR4 and other substrates.

## System Diagram

Figure 1 is a simplified diagram of the hybrid system that shows the major internal functional blocks and possible external peripherals.



**Figure 1. Ezairo 7150 SL Hybrid System Diagram**

# EZAIRO 7150 SL HYBRID

## Ezairo 7150 SL Hybrid Interface Specifications

A total of 49 pads are present on the Ezairo 7150 SL hybrid. These pads are the interfaces between the hybrid and the other components in the hearing aid. They are listed in Table 4 along with the internal connections.

**Table 4. PAD DESCRIPTION**

Ball Number	Hybrid Pad Name	Hybrid Pad Description
A1	DGND	Digital ground
A2	HGND	Output Driver Ground
A3	CAP0	Charge pump capacitor 0
A4	RCVR0N	Output Driver: Receiver Output 0 Negative
A5	RCVR1N	Output Driver: Receiver Output 1 Negative
A6	DIO24	Digital Input Output 24
A7	DIO23	Digital Input Output 23
A8	SDA	Debug Port Data
A9	SCL	Debug Port Clock
B1	VBAT	Power Supply
B2	RCVRBAT	Output Stage Power Supply
B3	CAP1	Charge pump capacitor 1
B4	RCVR0P	Output Driver: Receiver Output 0 Positive
B5	RCVR1P	Output Driver: Receiver Output 1 Positive
B6	DIO29	Digital Input Output 29
B7	DIO22	Digital Input Output 22
B8	DIO21	Digital Input Output 21
B9	VDDO3	IO Power Supply for DIO20 to DIO29
B10	VDDO2	IO Power Supply for DIO10 to DIO19
C1	VREG	Regulated voltage output
C2	AGND	Analog Ground
C3	DIO5	Digital Input Output 5
C4	DIO9	Digital Input Output 9
C5	VDBL	Regulated doubled voltage output
C6	RF_SWDDIO	nRF51822: chip reset (active low) / hardware debug and flash programming I/O.
C7	EXTCLK	External clock input / Internal
C8	DIO20	Digital Input Output 20
C9	RF_SWDDCLK	nRF51822: Hardware debug and flash programming I/O.
C10	RF_VDD	nRF51822: Power supply.
D1	AI3	Analog Input 3: Direct Analog Input
D2	AI1	Analog Input 1: Microphone or Telecoil Input
D3	GND_MIC	Input Transducer Ground
D4	DIO8	Digital Input Output 8
D5	RFGND	RF Ground
D6	RFGND	RF Ground
D7	RFGND	RF Ground
D8	RFGND	RF Ground
D9	RFGND	RF Ground
D10	RF_AVDD	nRF51822: Analog power supply (Radio).
E1	AI2	Analog Input 2: Microphone or Telecoil Input
E2	AI0	Analog Input 0: Microphone or Telecoil Input
E3	VMIC	Regulated voltage for microphone
E4	DIO6	Digital Input Output 6
E5	RFGND	RF Ground
E6	ANT1	nRF51822: Differential antenna connection (TX and RX).
E7	ANT2	nRF51822: Differential antenna connection (TX and RX).
E8	RFGND	RF Ground
E9	VDDPA	nRF51822: Power supply output (+1.6 V) for on-chip RF power amp.
E10	RFGND	RF Ground



# EZAIRO 7150 SL HYBRID

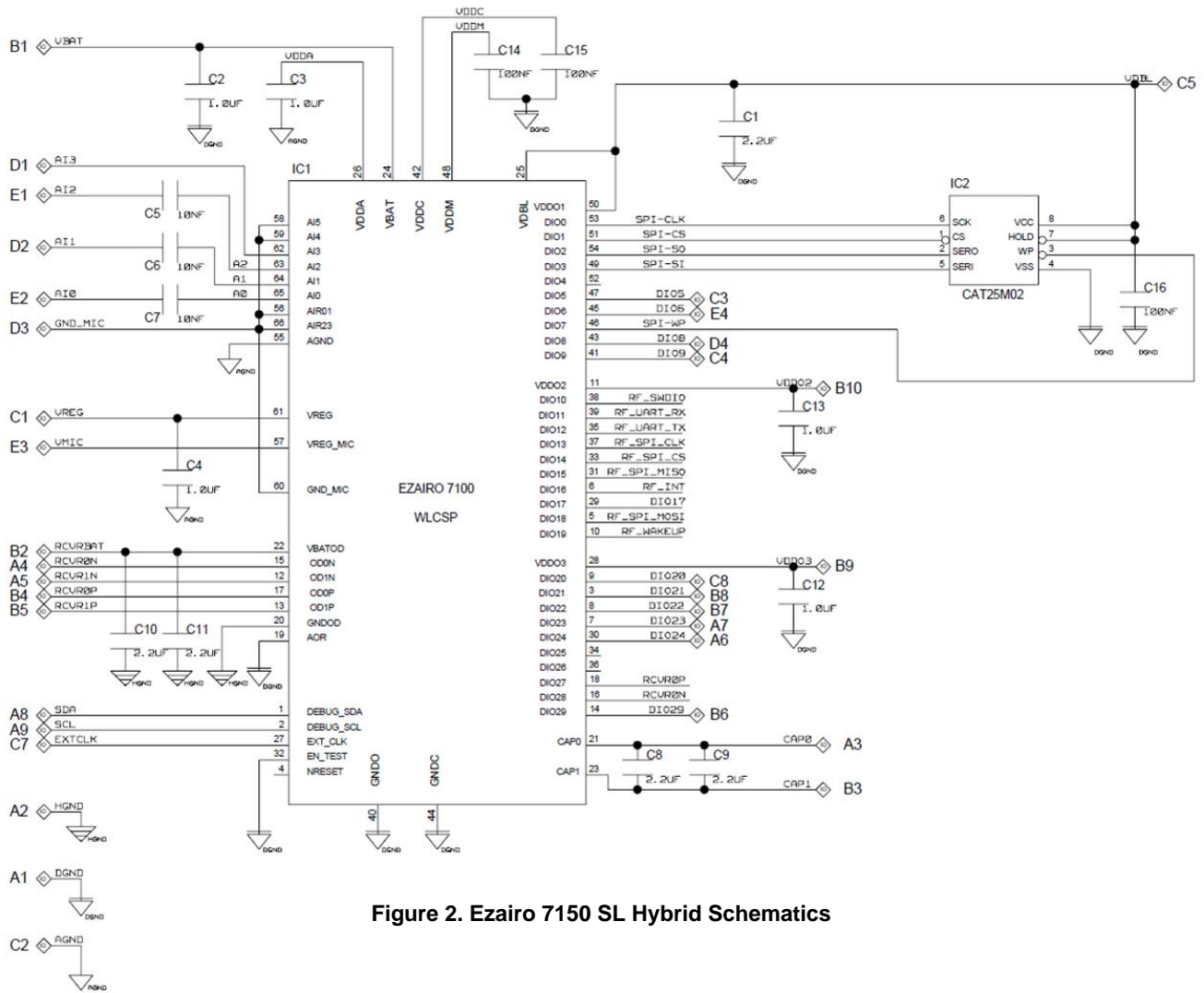


Figure 2. Ezairo 7150 SL Hybrid Schematics

# EZAIRO 7150 SL HYBRID

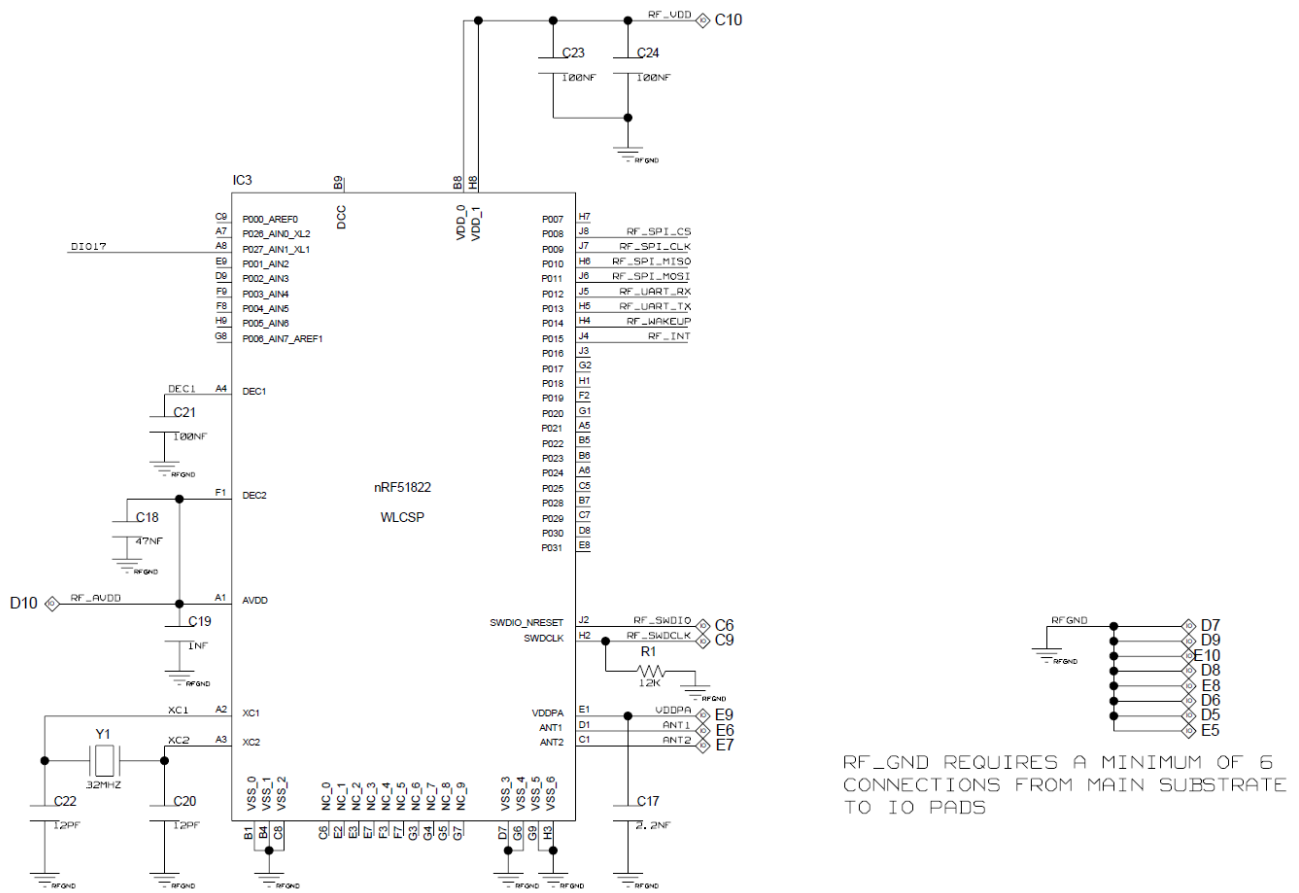


Figure 3. Ezairo 7150 SL Hybrid Schematics

# EZAIRO 7150 SL HYBRID

## Connection Diagram

The following connection should be observed when the Ezairo 7150 SL is used in typical hearing aid application:

# BOTTOM VIEW

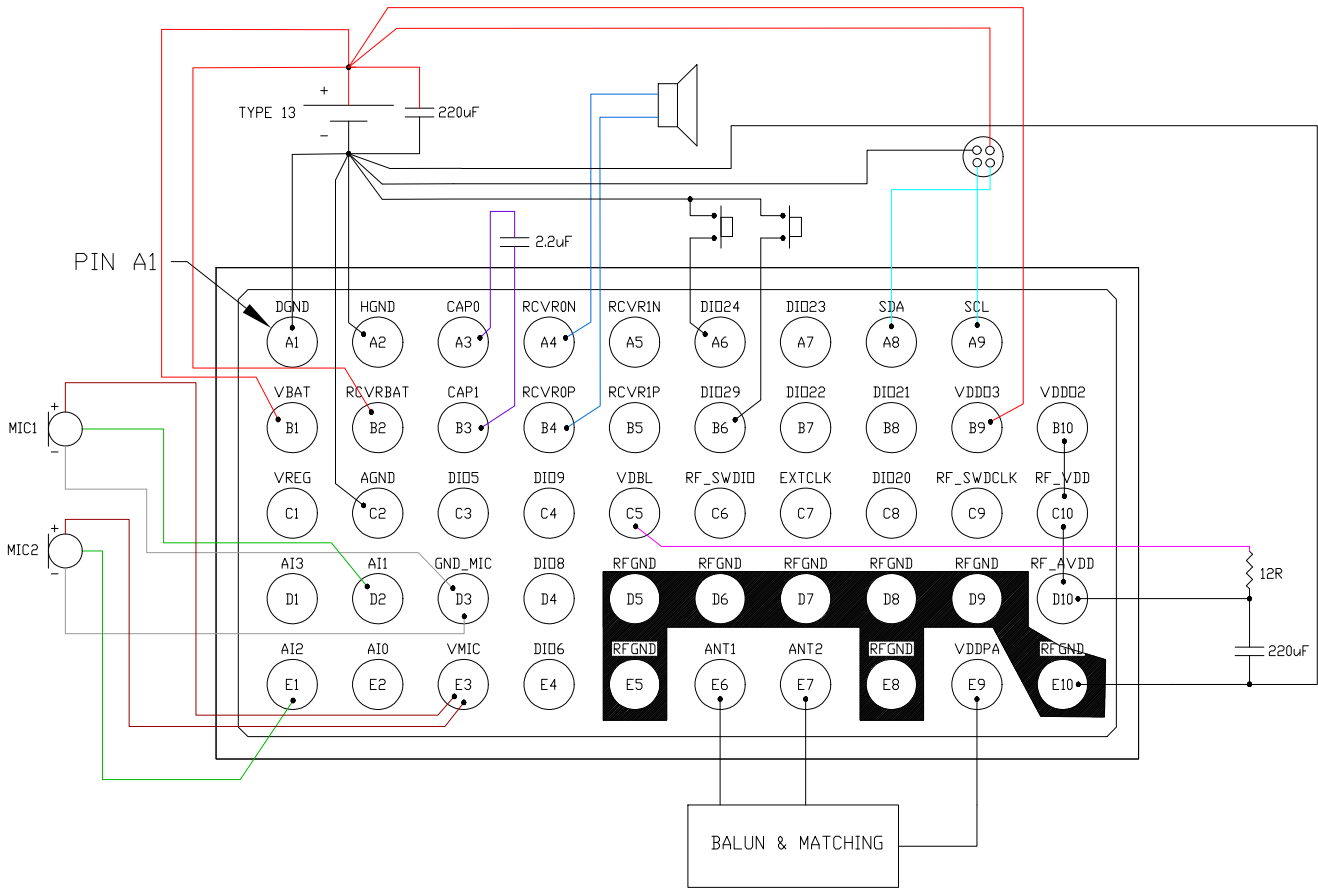


Figure 4. Connection Diagram

NOTE: For the purposes of wireless certification, it is recommended that the following signals are accessible or brought out to solderable test points: VBAT, GND, VDBL, DIO6, DIO8.

# EZAIRO 7150 SL HYBRID

## EZAIRO 7100 ARCHITECTURE OVERVIEW

The Ezairo 7100 system is an asymmetric quad-core architecture, mixed-signal system-on-chip designed specifically for audio processing. It centers around four processing cores: the CFX Digital Signal Processor (DSP), the HEAR Configurable Accelerator, the ARM Cortex-M3 Processor Subsystem, and the Filter Engine.

### CFX DSP Core

The CFX DSP core is used to configure the system and the other cores, and it coordinates the flow of signal data progressing through the system. The CFX DSP can also be used for custom signal processing applications that can't be handled by the HEAR or the Filter Engine.

The CFX DSP is a user-programmable general-purpose DSP core that uses a 24-bit fixed-point, dual-MAC, dual-Harvard architecture. It is able to perform two MACs, two memory operations and two pointer updates per cycle, making it well-suited to computationally intensive algorithms.

The CFX features:

- Dual-MAC 24-bit load-store DSP core
- Four 56-bit accumulators
- Four 24-bit input registers
- Support for hardware loops nested up to four deep
- Combined XY memory space (48 bits wide)
- Dual address generator units
- A wide range of addressing modes:
  - ◆ Direct
  - ◆ Indirect with post-modification
  - ◆ Modulo addressing
  - ◆ Bit reverse

For further information on the usage of the CFX DSP, please refer to the *Hardware Reference Manual* and to the *CFX DSP Architecture Manual*, available in the Ezairo 7100 Evaluation and Development Kit (EDK).

### HEAR Configurable Accelerator

The HEAR coprocessor is designed to perform both common signal processing operations and complex standard filterbanks such as the WOLA filterbank, reducing the load on the CFX DSP core.

The HEAR Configurable Accelerator is a highly optimized signal processing engine that is configured through the CFX. It offers high speed, high flexibility and high performance, while maintaining low power consumption. For added computing precision, the HEAR supports block floating point processing. Configuration of the HEAR is performed using the HEAR configuration tool (HCT). For further information on the usage of the HEAR, please refer to the *HEAR Configurable Accelerator Reference Manual*, available in the Ezairo 7100 EDK.

The HEAR is optimized for advanced hearing aid algorithms including but not limited to the following:

- Dynamic range compression

- Directional processing
- Feedback cancellation
- Noise reduction

To execute these and other algorithms efficiently, the HEAR excels at the following:

- Processing using a weighted overlap add (WOLA) filterbank
- Time domain filtering
- Subband filtering
- Attack/release filtering
- Vector addition/subtraction/multiplication
- Signal statistics (such as average, variance and correlation)

### ARM Cortex-M3 Processor Subsystem

The ARM Cortex-M3 Processor Subsystem provides support for data transfer to and from the wireless transceiver. The subsystem includes hardwired CODECS (G.722, CVSD), Error Correction support (Reed-Solomon, Hamming), interfaces (SPI, I<sup>2</sup>C, PCM, GPIOs), as well as an open-programmable ARM Cortex-M3 processor.

### ARM Cortex-M3 Processor

The ARM Cortex-M3 processor is a low-power processor that features low gate count, low interrupt latency, and low-cost debugging. It is intended for deeply embedded applications that require fast interrupt response features.

GNU tools provide build and link support C programs that run on the ARM Cortex-M3 processor.

### Filter Engine

The Filter Engine is a core that provides low-delay path and basic filtering capabilities for the Ezairo 7100 system. The Filter Engine can implement filters (either FIR or IIR) with a total of up to 160 coefficients. FIR filters are implemented using a direct-form structure. IIR filters are implemented with a cascade of second-order sections (biquads), each implemented as a direct-form I filter.

The Filter Engine is programmable, but does not include direct debugging access. The CFX can monitor the Filter Engine state through control and configuration registers on the program memory bus.

### Digital Input/Output (DIO) Pads

A total of 10 DIOs are available on the Ezairo 7150 SL hybrid. These pads can all be configured for a variety of digital input and output modes or as LSADs. The user can configure DIOs signal to be, for example:

- CFX PCM interface
- CFX UART interface
- CFX SPI interface
- LSAD input
- GPIOs data for the CFX

# EZAIRO 7150 SL HYBRID

- ARM Cortex–M3 processor PCM interface
- ARM Cortex–M3 processor SPI interface
- ARM Cortex–M3 processor I<sup>2</sup>C interface
- ARM Cortex–M3 processor GPIOs

More details on the Ezairo 7150 SL external interfaces can be found in the *Ezairo 7100 Hardware Reference Manual*, available in the Ezairo 7100 EDK.

The 10 DIOs are split into two power domains as follow:

- DIO5, DIO6, DIO8 and DIO9 are at the VDBL voltage.
- DIO20, DIO21, DIO22, DIO23, DIO24 and DIO29 are at a IO supply defined by VDDO3

The SDA and SCL pads are on the VDDO3 power domain.

## Debug Ports

The CFX's I<sup>2</sup>C interfaces share the same I<sup>2</sup>C bus within the Ezairo 7100 chip with two other I<sup>2</sup>C interfaces:

### CFX Debug Port I<sup>2</sup>C

The CFX debug port I<sup>2</sup>C interface is a hardware debugger for the Ezairo 7100 system that is always enabled regardless of the configuration of the general–purpose I<sup>2</sup>C interface. The debug port implements the debug port protocol command set and is tightly coupled with the CFX DSP and the memory components attached to the CFX. The default address is 0x60.

### ARM Cortex–M3 Debug Port I<sup>2</sup>C

The ARM Cortex–M3 debug port I<sup>2</sup>C interface is a hardware debugger for the Ezairo 7100 system that is always enabled regardless of the configuration of the general–purpose I<sup>2</sup>C interface. The debug port implements an ARM Cortex–M3 processor debug port protocol command set that is tightly coupled with the ARM Cortex–M3 processor and the memory components attached to this core. The default address is 0x40.

## Default Firmware Image on Ezairo 7150 SL

### Pre Suite Firmware Bundle

The default firmware image loaded in the EEPROM of Ezairo 7150 SL comprises a realtime framework and suite of advanced sound processing algorithms ideal for high–end, full featured hearing aids (available under NDA). For additional details about the Pre Suite firmware bundle for Ezairo 7150 SL refer to AND9651/D.

The default application leaves the debug port of Ezairo 7150 SL in Restricted Mode. It is possible to erase the default application and replace it with your own firmware image provided you first use the Jump ROM functions "Wipe" and "Unlock" to place the device in Unrestricted

Mode. Refer to the Communication Protocols Manual for Ezairo 7100 for more information.

### Frequency Response Graph

#### Conditions

SYS\_CLK = 10.24 MHz

Gain normalized to 0 dB at 1 kHz

Measurements taken electrically with a two–pole RC filter on the output with a cutoff frequency (–3 dB point) of 8 kHz. From 2 kHz to 8 kHz, the roll–off is due to the RC filter.

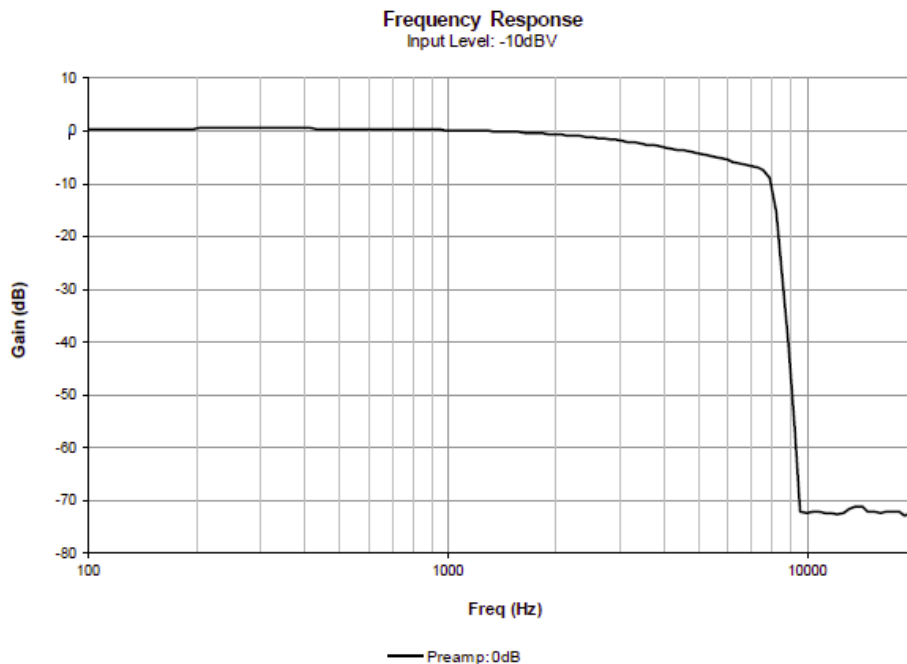


Figure 5. Frequency Response Graph

# EZAIRO 7150 SL HYBRID

## Chip Identification

System identification is used to identify different system components. This information can be retrieved using the Promira™ Serial Platform from TotalPhase, Inc. or the Communications Accelerator Adaptor (CAA) with the protocol software provided by ON Semiconductor. For the Ezairo 7100 chip, the key identifier components and values are as follows:

- Chip Family: 0x06
- Chip Version: 0x01
- Chip Revision: 0x0200

The hybrid ID can be found in the manufacturing area of the EEPROM at address 0x00F1 to 0x00F2 (2 bytes => 16 bits)

- Hybrid ID: 0x0321

## Solder Information

The Ezairo 7150 SL hybrid is constructed with all RoHS compliant material and should therefore be reflowed accordingly. The bump metallization is SAC305 (Sn96.5/Ag3.0/Cu0.5).

This hybrid device is Moisture Sensitive Class MSL4 and must be stored and handled accordingly. Re-flow according to IPC/JEDEC standard J-STD-020C, Joint Industry Standard: Moisture/Re-flow Sensitivity Classification for Nonhermetic Solid State Surface Mount Devices. The typical re-flow profile is shown in Figure 6.

For soldering guidelines, please refer to the Soldering and Mounting Techniques Reference Manual (SOLDERM/D).

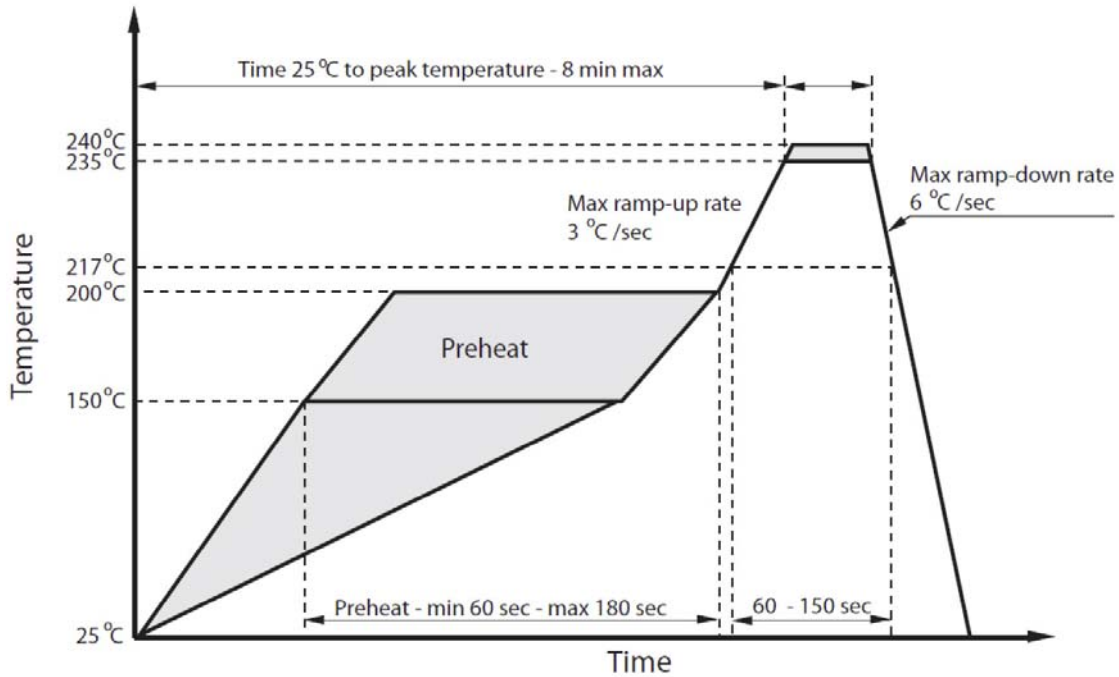


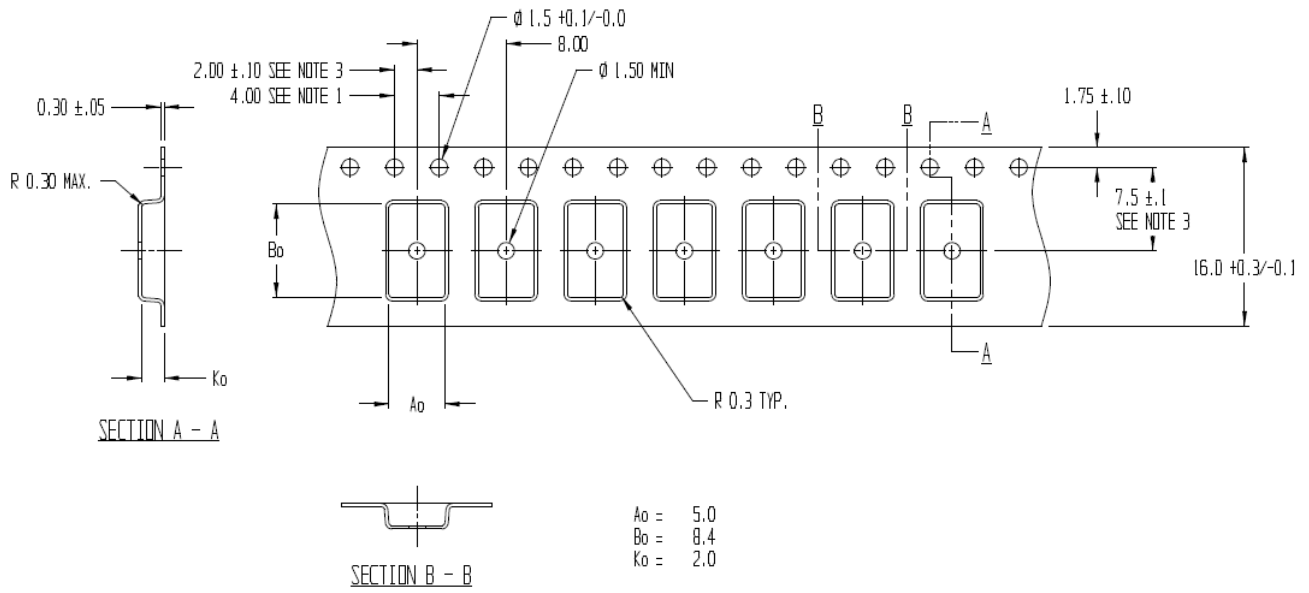
Figure 6. Typical Reflow Profile

## Tape & Reel Information

### Package Orientation on Tape Dimensions

Hybrid orientation in pocket is pad side down and pin 1 in upper left corner.

# EZAIRO 7150 SL HYBRID



**Figure 7. Package Orientation**

## EZAIRO 7150 SL HYBRID

### Electrostatic Discharge (ESD) Device

**CAUTION:** ESD sensitive device. Permanent damage may occur on devices subjected to high-energy electrostatic discharges. Proper ESD precautions in handling, packaging and testing are recommended to avoid performance degradation or loss of functionality.

### Development Tools

A full suite of comprehensive tools is available to assist software developers from the initial concept and technology assessment through to prototyping and product launch. Application development and communication tools, as well as an Evaluation and Development Kit (EDK) facilitate the development of advanced algorithms on the Ezairo 7100 platform. The EDK is available under NDA.

### Reference Design

A reference design of a wireless-enabled hearing aid based on Ezairo 7150 SL is available. It includes source code, design files and schematic layouts of the hearing aid as well as a remote dongle that can be used for stereo audio streaming. A provided sample Android phone application demonstrates Control over BLE (CoBLE) functionality. The reference design package is included with the purchase of the Ezairo 7150 SL hybrid demonstrator board (0W705001GEVK).

### Company or Product Inquiries

For more information about ON Semiconductor products or services visit our web site at <http://onsemi.com>.

### Technical Contact Information

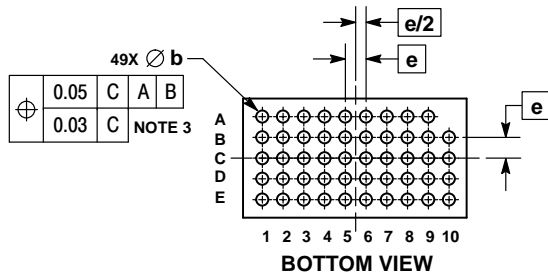
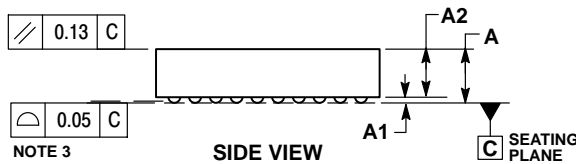
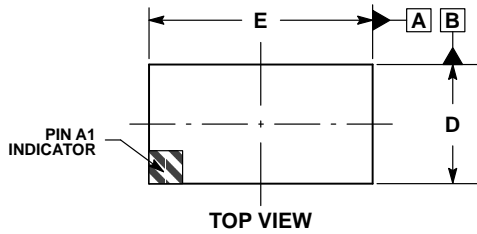
[dsp.support@onsemi.com](mailto:dsp.support@onsemi.com)



# EZAIRO 7150 SL HYBRID

## PACKAGE DIMENSIONS

SIP49 3.94x7.39  
CASE 127DQ  
ISSUE O

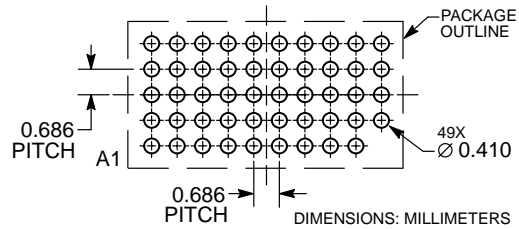


**NOTES:**

1. DIMENSIONING AND TOLERANCING PER ASME Y14.5M, 1994.
2. CONTROLLING DIMENSION: MILLIMETERS.
3. DIMENSION b IS MEASURED AT THE MAXIMUM BALL DIAMETER PARALLEL TO DATUM C.
4. COPLANARITY APPLIES TO SPHERICAL CROWNS OF SOLDER BALLS.
5. DATUM C, THE SEATING PLANE, IS DEFINED BY THE SPHERICAL CROWNS OF SOLDER BALLS.

DIM	MILLIMETERS	
	MIN	MAX
A	---	1.778
A1	0.07	0.17
A2	---	1.608
b	0.356	0.456
D	3.840	4.040
E	7.290	7.490
e	0.686 BSC	

### RECOMMENDED SOLDERING FOOTPRINT\*



\*For additional information on our Pb-Free strategy and soldering details, please download the ON Semiconductor Soldering and Mounting Techniques Reference Manual, SOLDERRM/D.

EZAIRO is a registered trademark of Semiconductor Components Industries, LLC. NOAHlink is a trademark of HIMSA A/S. Bluetooth is a registered trademark of Bluetooth SIG, Inc. ARM and Cortex are registered trademarks of ARM Limited. Promira is a trademark of Total Phase, Inc.

ON Semiconductor and are trademarks of Semiconductor Components Industries, LLC dba ON Semiconductor or its subsidiaries in the United States and/or other countries. ON Semiconductor owns the rights to a number of patents, trademarks, copyrights, trade secrets, and other intellectual property. A listing of ON Semiconductor's product/patent coverage may be accessed at [www.onsemi.com/site/pdf/Patent-Marking.pdf](http://www.onsemi.com/site/pdf/Patent-Marking.pdf). ON Semiconductor reserves the right to make changes without further notice to any products herein. ON Semiconductor makes no warranty, representation or guarantee regarding the suitability of its products for any particular purpose, nor does ON Semiconductor assume any liability arising out of the application or use of any product or circuit, and specifically disclaims any and all liability, including without limitation special, consequential or incidental damages. Buyer is responsible for its products and applications using ON Semiconductor products, including compliance with all laws, regulations and safety requirements or standards, regardless of any support or applications information provided by ON Semiconductor. "Typical" parameters which may be provided in ON Semiconductor data sheets and/or specifications can and do vary in different applications and actual performance may vary over time. All operating parameters, including "Typicals" must be validated for each customer application by customer's technical experts. ON Semiconductor does not convey any license under its patent rights nor the rights of others. ON Semiconductor products are not designed, intended, or authorized for use as a critical component in life support systems or any FDA Class 3 medical devices or medical devices with a same or similar classification in a foreign jurisdiction or any devices intended for implantation in the human body. Should Buyer purchase or use ON Semiconductor products for any such unintended or unauthorized application, Buyer shall indemnify and hold ON Semiconductor and its officers, employees, subsidiaries, affiliates, and distributors harmless against all claims, costs, damages, and expenses, and reasonable attorney fees arising out of, directly or indirectly, any claim of personal injury or death associated with such unintended or unauthorized use, even if such claim alleges that ON Semiconductor was negligent regarding the design or manufacture of the part. ON Semiconductor is an Equal Opportunity/Affirmative Action Employer. This literature is subject to all applicable copyright laws and is not for resale in any manner.

### PUBLICATION ORDERING INFORMATION

**LITERATURE FULFILLMENT:**  
Literature Distribution Center for ON Semiconductor  
19521 E. 32nd Pkwy, Aurora, Colorado 80011 USA  
**Phone:** 303-675-2175 or 800-344-3860 Toll Free USA/Canada  
**Fax:** 303-675-2176 or 800-344-3867 Toll Free USA/Canada  
**Email:** [orderlit@onsemi.com](mailto:orderlit@onsemi.com)

**N. American Technical Support:** 800-282-9855 Toll Free  
USA/Canada  
**Europe, Middle East and Africa Technical Support:**  
Phone: 421 33 790 2910  
**Japan Customer Focus Center**  
Phone: 81-3-5817-1050

**ON Semiconductor Website:** [www.onsemi.com](http://www.onsemi.com)  
**Order Literature:** <http://www.onsemi.com/orderlit>

For additional information, please contact your local Sales Representative