

Products for NAT



- **Brad Connectivity**
- **DIN**
- **Industrial USB**
- **Industrial RJ45/Ethernet**



Industrial USB



Industrial RJ45



Brad Connectivity



Brad Connectivity



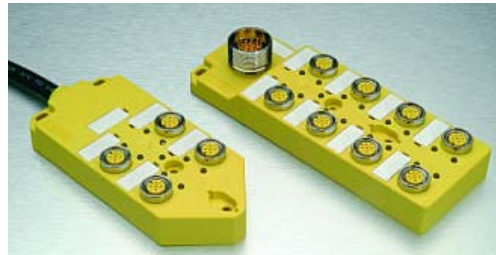
- Connectors, cord sets, and distribution boxes for power, passive signal, and active network applications
- Used for CAN, Ethernet, NMEA 2000, RV-C and other on-vehicle networking needs
- Proven technology derived from the industrial automation field
 - How long have we been producing these?
- Industry standard screw lock and patented push to lock/unlock for high vibration needs



What are Brad Connectors?



- Mini, Micro, & Nano-Change. Same basic platform as Molex Mini-C, Micro-C & Nano-C
- Originally designed to mate with proximity sensors
- Multiple keyway configurations differentiate basic application



Soft Wiring Application

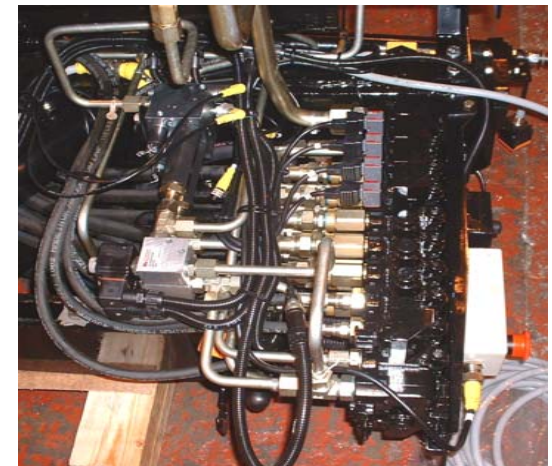


- Used as General vehicle wiring



On-Vehicle Equipment & Control Applications

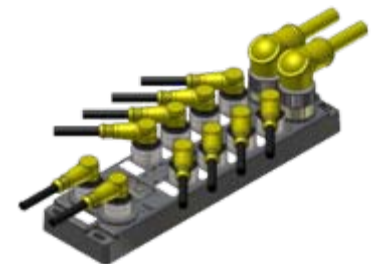
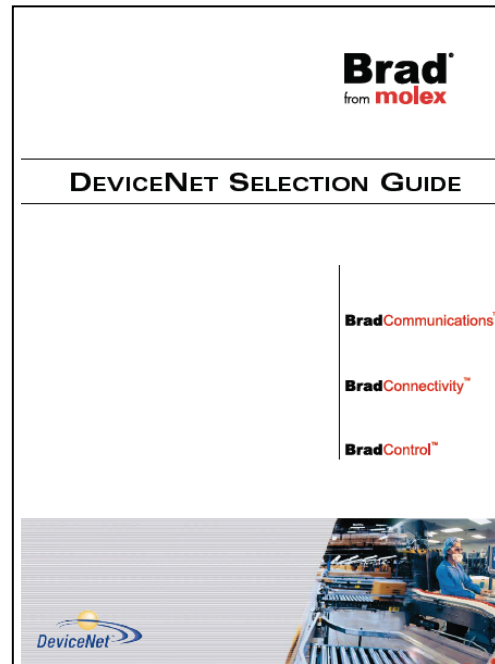
- **Road and pavement sweeping machines**
 - mPm DIN field attachable connectors and splitters with molded connectors
- **Vehicle mounted**
- **Mobile Crane**
 - Loading and unloading of bulk and loose product
 - mPm junior timer connectors, with circular connectors, receptacles, jumpers and in-line splitters



CANBus Media

CANopen, J1939, NMEA2000, RV-C, DeviceNet

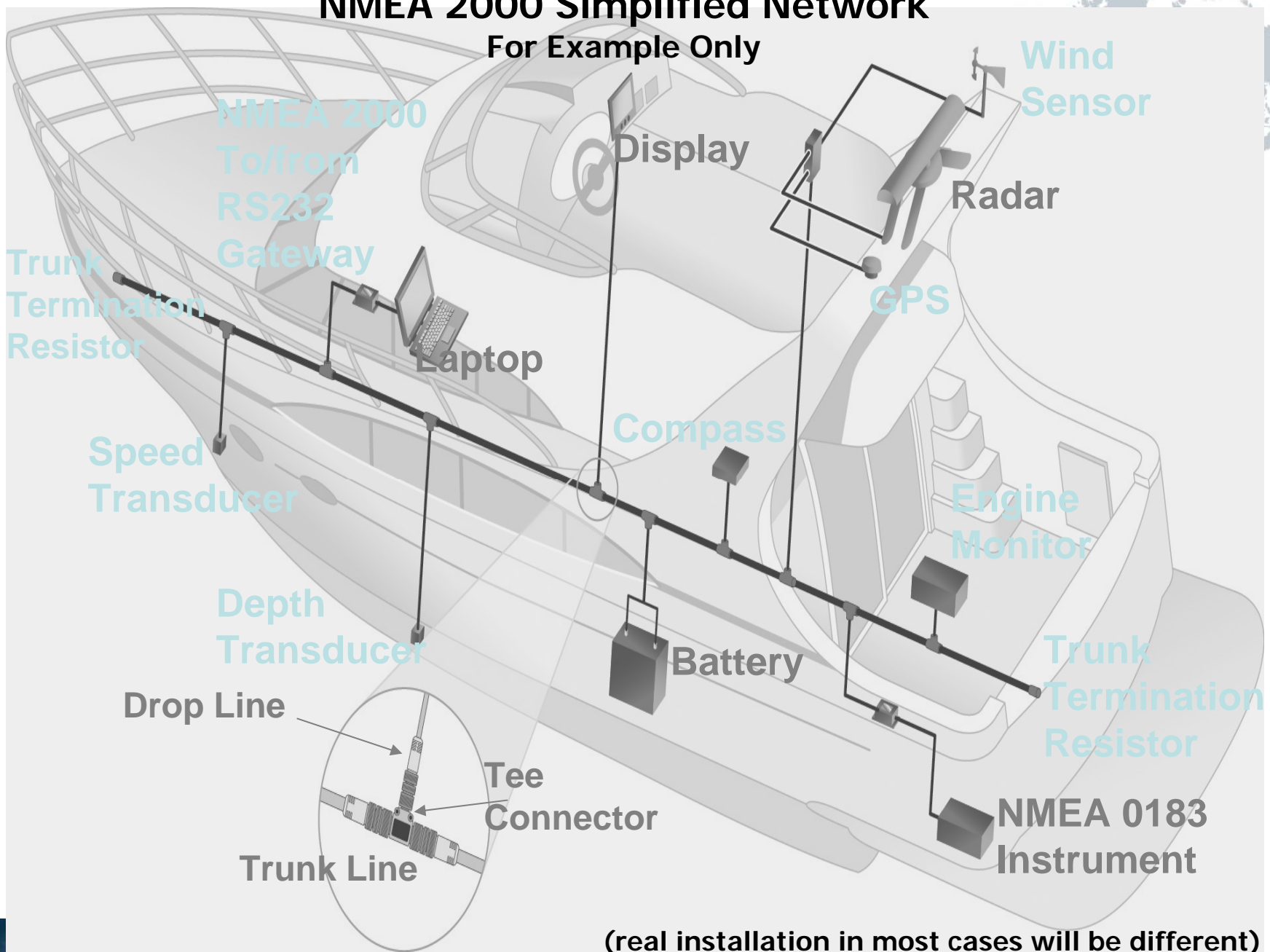
- Largest product offering
- Competitive
- OEM's specials welcome.
- Cables, Receptacles, accessories
- I/O blocks- CANopen, DeviceNet
- Diagnostics



molex

NMEA 2000 Simplified Network

For Example Only



(real installation in most cases will be different)

Brad Connectivity



- **Rugged screw lock and push to lock, Ultra-Lock circular industrial cables and receptacles often used to reliably connect to sensors and actuators**
- **Ultra-Lock™ –**
 - IP69K M12 cables and connectors
 - Push to connect no twisting or turning
- **Brad Power cable with 4- and 5-pin mini change connectors**

Brad Connectivity



■ M8 / M12 Brad connectivity products

- Largest breath of product available
- Ideal solution for sensors and switches
- Network cabling and blocks
- Connectors, cordsets & distribution boxes
- Nano-change (M8)
- Micro-change (M12)

DIN Valves



■ DIN valve 43650

- Used on solenoid operated pneumatic and hydraulic valves, flow sensors, pressure switches and other devices related to air (pneumatic) or fluid (hydraulic) operated systems

■ Many available options

- Lighted circuit adapters
- Switch for pneumatic cylinders
- DIN splitters & mini-splitters
- Field attachable connectors
- Overmolded cordsets

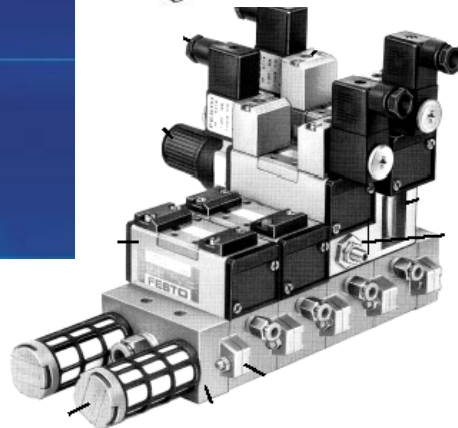


DIN Connector Applications

Connects to Valves & Transducers



Pneumatic Valve & Valve Manifolds



Pressure Switches



Hydraulic Valves

Industrial Sealed USB



- **Commercial grade USB A and B connectors in a industrial grade package for harsh commercial applications**
- **IP67 rated encapsulated A and B style PCB receptacles & plugs**
- **Great for communications in the transportation market**



Ethernet Product



- All products designed for harsh environments.
 - *Sealed RJ-45: Ethernet/IP cordsets and receptacles*
 - Brad connectivity
 - Ethernet I/O and Switches
 - Over-molded RJ45 and Fiber Optics



Industrial Ethernet Products

Encapsulated RJ45



- **Standard RJ45 System Industrialized for the harsh commercial environment**
- **Receptacle for panel and board mount application and cable assembly components**
- **Bayonet style lock is molded into the plug**
Only one sealing surface provides a low likelihood of failure
- **Compression nut on back of plug gives superior strain relief and excellent seal**
- **Meets NEMA 6P and IP 67 rating for protection against ingress of dust, water and other contaminants**
- **Designed for Category 5e applications**
- **Plug can be terminated easily in the field allowing users to create custom lengths**
- **Dust cap provides protection even when not in use**

