

800-323-2439

OrionFans.com



daisy chains
power cords
filtration
guards



We'll Make You a Fan

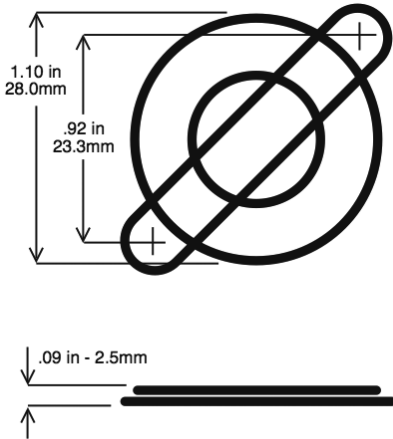
Fan Guards



25mm - 52mm (1" - 2")

25mm (1.0")

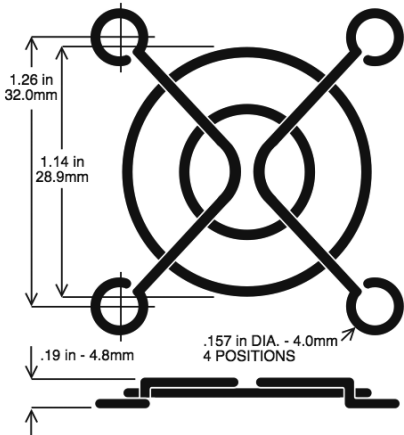
Matching Fan Series:
OD2510



Part No.:	G25-2
Material:	C1008 Steel
Wire Dia (Ring):	1.4mm
Wire Dia (Rib):	1.4mm
Ring Spacing:	Meets 6.35mm plug gauge test
Separation Force:	220 lbs. on welds
Fits:	25mm (1") fans
Plating:	Bright Nickel Chrome
Options:	Additional plating materials are available by special order.

40mm (1.57")

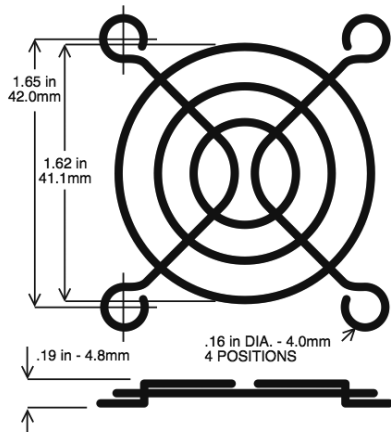
Matching Fan Series:
OD4010,
OD4020,
OD4028



Part No.:	G40-2
Material:	C1008 Steel
Wire Dia (Ring):	1.6mm
Wire Dia (Rib):	1.6mm
Ring Spacing:	Meets 6.35mm plug gauge test
Separation Force:	220 lbs. on welds
Fits:	40mm (1.57") fans
Plating:	Bright Nickel Chrome
Options:	Additional plating materials are available by special order.

52mm (2.05")

Matching Fan Series:
OD5210
OD5010



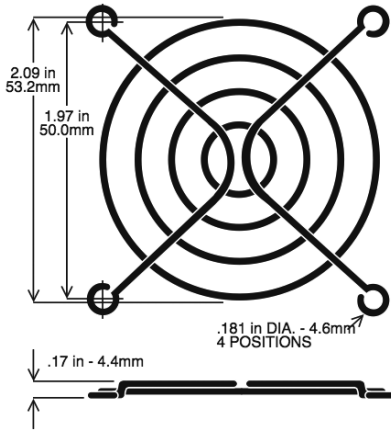
Part No.:	G50-3
Material:	C1008 Steel
Wire Dia (Ring):	1.6mm
Wire Dia (Rib):	1.6mm
Ring Spacing:	Meets 6.35mm plug gauge test
Separation Force:	220 lbs. on welds
Fits:	52mm (2.05") fans
Plating:	Bright Nickel Chrome
Options:	Additional plating materials are available by special order.

Fan Guards



60mm - 92mm (2.36" - 3.62")

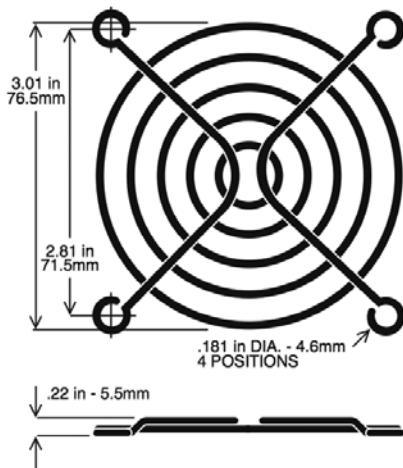
60mm (2.36")



Matching Fan Series:
OD6010,
OD6015,
OD6020,
OD6025,
OA60

Part No.:	G60-4
Material:	C1008 Steel
Wire Dia (Ring):	1.6mm
Wire Dia (Rib):	1.6mm
Ring Spacing:	Meets 6.35mm plug gauge test
Separation Force:	220 lbs. on welds
Fits:	60mm (2.36") fans
Plating:	Bright Nickel Chrome
Options:	Additional plating materials are available by special order.

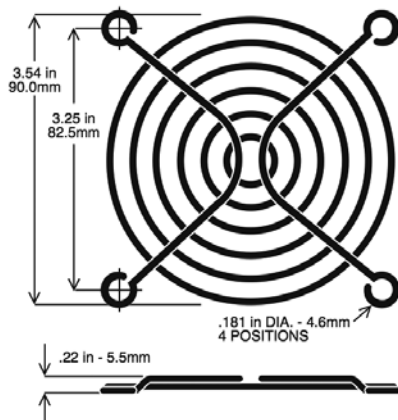
80mm (3.15")



Matching Fan Series:
OD8015,
OD8020,
OD8025,
OD8038,
OA825,
OA80

Part No.:	G80-18 and G80-18B [Black finish]
Material:	C1008 Steel
Wire Dia (Ring):	1.8mm
Wire Dia (Rib):	1.8mm
Ring Spacing:	Meets 6.35mm plug gauge test
Separation Force:	220 lbs. on welds
Fits:	80mm (3.15") fans
Plating:	Bright Nickel Chrome or Black
Options:	Additional plating materials are available by special order.

92mm (3.62")



Matching Fan Series:
OD9220,
OD9225,
OA92,
OA938

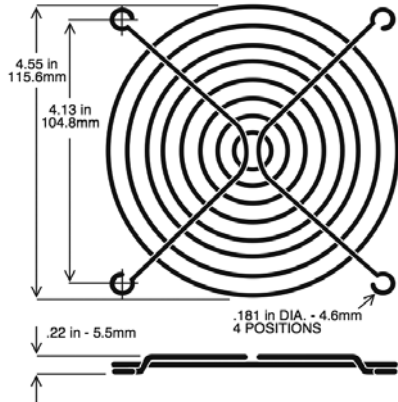
Part No.:	G92-16 and G92-16B [Black finish]
Material:	C1008 Steel
Wire Dia (Ring):	1.6mm
Wire Dia (Rib):	1.6mm
Ring Spacing:	Meets 6.35mm plug gauge test
Separation Force:	220 lbs. on welds
Fits:	92mm (3.65") fans
Plating:	Bright Nickel Chrome or Black
Options:	Additional plating materials are available by special order.

Fan Guards



120mm (4.7")

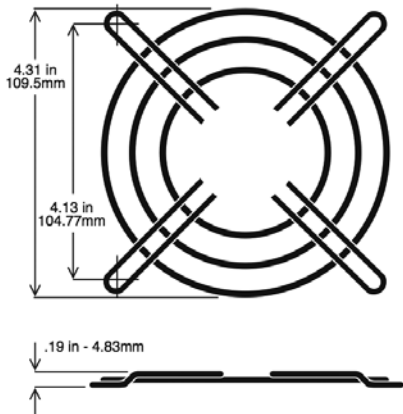
120mm (4.7")



Matching Fan Series:
OD1225,
OD1238,
OA125,
OA109,
OA4715

Part No.:	G109-15A and G109-15AB [Black finish]
Material:	C1008 Steel
Wire Dia (Ring):	1.8mm
Wire Dia (Rib):	1.8mm
Ring Spacing:	Meets 6.35mm plug gauge test
Separation Force:	220 lbs. on welds
Fits:	120mm (4.7") fans
Plating:	Bright Nickel Chrome or Black anodized
Options:	Additional plating materials are available by special order.

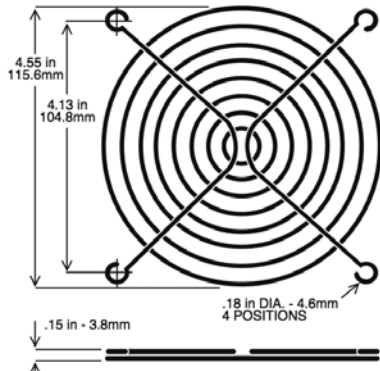
120mm (4.7")



Matching Fan Series:
OD1225,
OD1238,
OA125,
OA109,
OA4715

Part No.:	G109-3A
Material:	C1008 Steel
Wire Dia (Ring):	1.6mm
Wire Dia (Rib):	1.6mm
Ring Spacing:	Meets 6.35mm plug gauge test
Separation Force:	220 lbs. on welds
Fits:	120mm (4.7") fans
Plating:	Bright Nickel Chrome
Options:	Additional plating materials are available by special order.

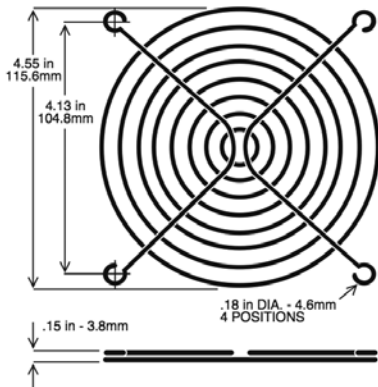
120mm (4.7")



Matching Fan Series:
OD1225,
OD1238,
OA125,
OA109,
OA4715

Part No.:	G109-15B
Material:	C1008 Steel
Wire Dia (Ring):	1.8mm
Wire Dia (Rib):	1.8mm
Ring Spacing:	Meets 6.35mm plug gauge test
Separation Force:	220 lbs. on welds
Fits:	120mm (4.7") fans
Plating:	Bright Nickel Chrome
Options:	Additional plating materials are available by special order.

120mm (4.7")



Matching Fan Series:
OD1225,
OD1238,
OA125,
OA109,
OA4715

Part No.:	G109-15B-1
Material:	C1008 Steel
Wire Dia (Ring):	1.8mm
Wire Dia (Rib):	2.3mm
Ring Spacing:	Meets 6.35mm plug gauge test
Separation Force:	220 lbs. on welds
Fits:	120mm (4.7") fans
Plating:	Black
Options:	Additional plating materials are available by special order.

10557 Metric Drive, Dallas, Texas 75243

Call Us: 800-323-2439 or 214-340-0265

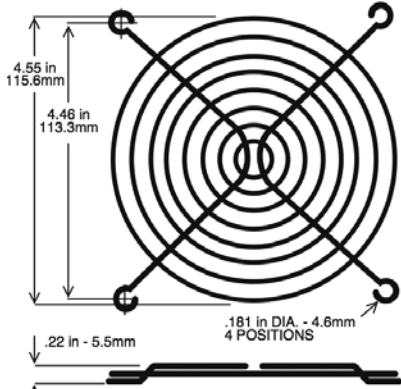
www.OrionFans.com (Orion Fans is a registered Trademark of Knight Electronics, Inc.)

Fan Guards



127mm - 172mm (5" - 6.7")

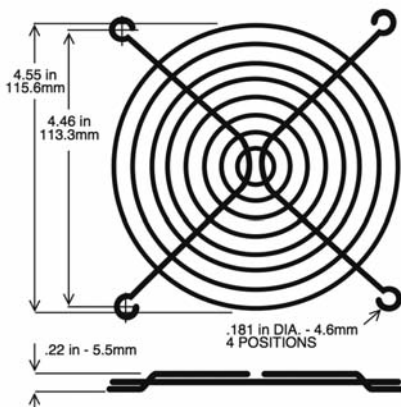
127mm (5.0")



Matching Fan Series:
OD127,
OA119

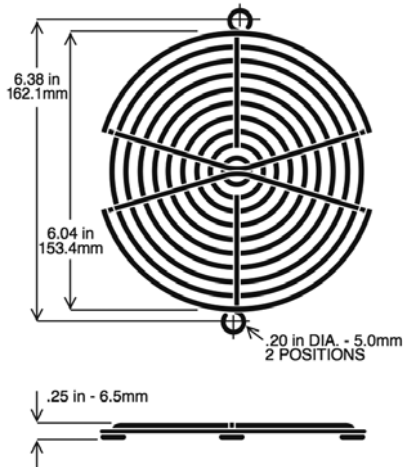
Part No.:	G119-8
Material:	C1008 Steel
Wire Dia (Ring):	1.8mm
Wire Dia (Rib):	2.3mm
Ring Spacing:	Meets 6.35mm plug gauge test
Separation Force:	220 lbs. on welds
Fits:	127mm (5") fans
Plating:	Bright Nickel Chrome
Options:	Additional plating materials are available by special order.

172mm (6.7")



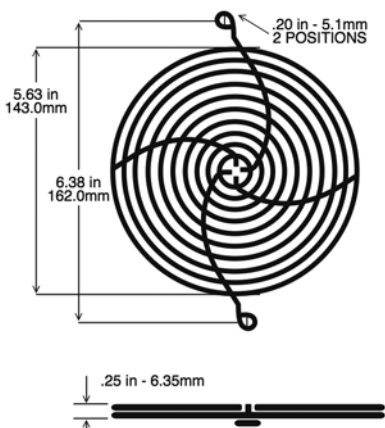
Matching Fan Series:
OD172,
OA162S
OA172,
OA5920

Part No.:	G172-10HA and G172-10HAB [Black]
Material:	C1008 Steel
Wire Dia (Ring):	1.8mm
Wire Dia (Rib):	2.3mm
Ring Spacing:	Meets 6.35mm plug gauge test
Separation Force:	220 lbs. on welds
Fits:	162 and 172mm fans
Plating:	Bright Nickel Chrome or Black
Options:	Additional plating materials are available by special order.



Matching Fan Series:
OD172,
OA162-5E
OA172S,
OA5920

Part No.:	G172-10H and G172-10HB [Black]
Material:	C1008 Steel
Wire Dia (Ring):	1.8mm
Wire Dia (Rib):	2.3mm
Ring Spacing:	Meets 6.35mm plug gauge test
Separation Force:	220 lbs. on welds
Fits:	162 and 172mm fans
Plating:	Bright Nickel Chrome or Black
Options:	Additional plating materials are available by special order.



Matching Fan Series:
OD172,
OA162-5E
OA172S,
OA5920

Aerodynamic design helps to reduce fan noise.

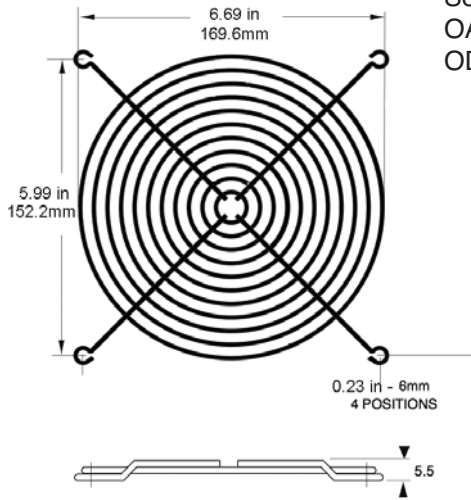
Part No.:	G172-10LN
Material:	C1008 Steel
Wire Dia (Ring):	1.6mm
Wire Dia (Rib):	2.0mm
Ring Spacing:	Meets 6.35mm plug gauge test
Separation Force:	220 lbs. on welds
Fits:	162 and 172mm fans
Plating:	Bright Nickel Chrome
Options:	Additional plating materials are available by special order.

Fan Guards



180mm - 254mm (7" - 10")

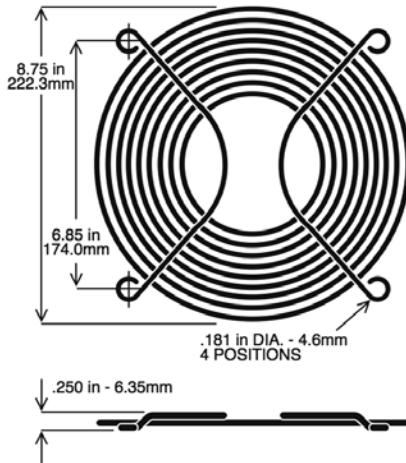
180mm (7")



Matching Fan Series:
OA180,
OD180

Part No.:	G180-11
Material:	C1008 Steel
Wire Dia (Ring):	1.8mm
Wire Dia (Rib):	2.3mm
Ring Spacing:	Meets 6.35mm plug gauge test
Separation Force:	220 lbs. on welds
Fits:	180mm fans
Plating:	Bright Nickel Chrome
Options:	Additional plating materials are available by special order.

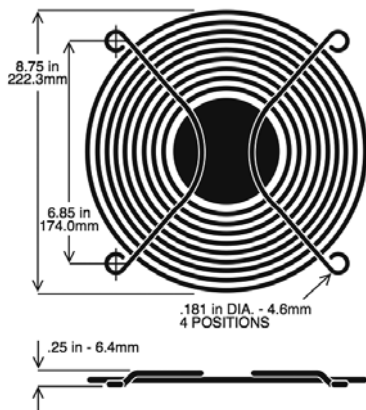
254mm (10.0")



Matching Fan Series:
OA254,
OD254

Part No.:	G254-10
Material:	C1008 Steel
Wire Dia (Ring):	2.3mm
Wire Dia (Rib):	2.3mm
Ring Spacing:	Meets 6.35mm plug gauge test
Separation Force:	220 lbs. on welds
Fits:	254mm fans
Plating:	Bright Nickel Chrome
Options:	Additional plating materials are available by special order.

254mm (10.0")



Matching Fan Series:
OA254,
OD254

Part No.:	G254-10P
Material:	C1008 Steel
Wire Dia (Ring):	2.3mm
Wire Dia (Rib):	2.3mm
Ring Spacing:	Meets 6.35mm plug gauge test
Separation Force:	220 lbs. on welds
Fits:	254mm fans
Plating:	Bright Nickel Chrome
Options:	Additional plating materials are available by special order.

Wire Mesh Guards



Aluminum Fan Filters

Aluminum/Stainless filters offer high levels of air passage while efficiently filtering contaminants and shielding EMI/RFI.

Tightly woven stainless corrugated mesh screen
(30x30, 3/16" Pitch, 1/8" Deep)

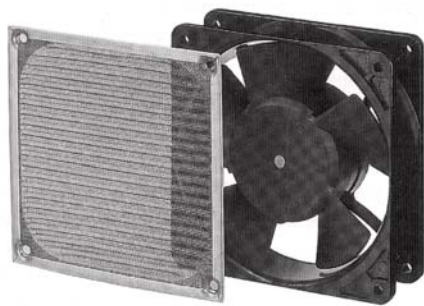
Filters may be mounted directly onto the fan or to any other housing.

Finishes:

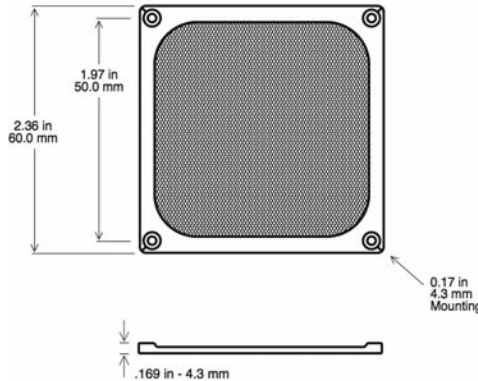
Mill - Natural Aluminum
(suffix "M")

Black Anodized
(suffix "B")

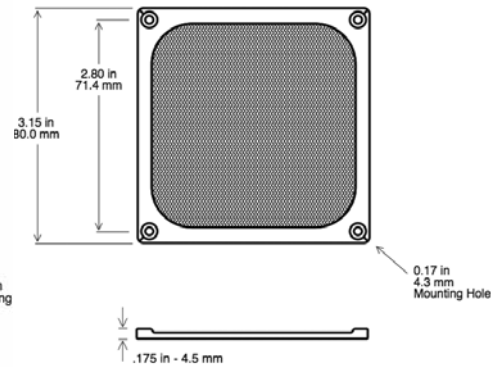
Part Number	Fan Size	Matching Fan Series
WMG60M WMG60B	60mm (2.36")	OD6010, OD6015, OD6020, OD6025, OA60
WMG80M WMG80B	80mm (3.15")	OD8015, OD8020, OD8025, OA825, OA80
WMG92M WMG92B	92mm (3.62")	OD9220, OD9225, OA92, OA938
WMG120M WMG120B	120mm (4.7")	OD1225, OD1238, OA125, OA109, OA4715
WMG172M WMG172B	172mm (6.7")	OD172, OA162, OA172, OA5920



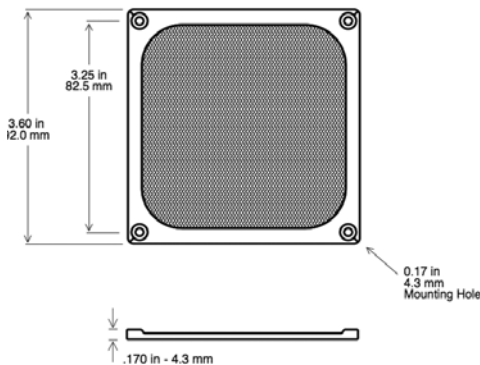
WMG60M
WMG60B



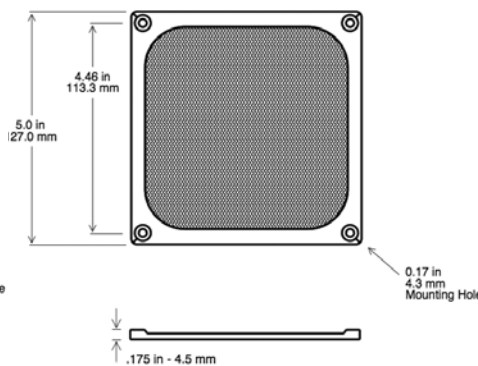
WMG80M
WMG80B



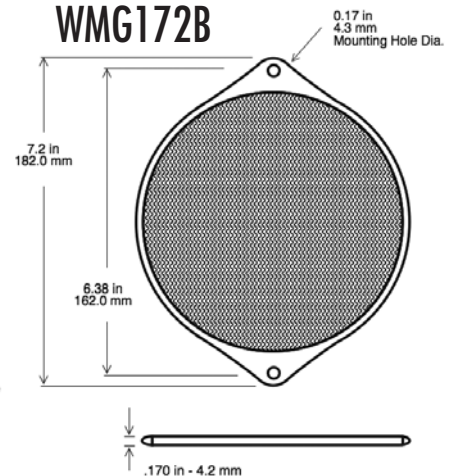
WMG92M
WMG92B



WMG120M
WMG120B



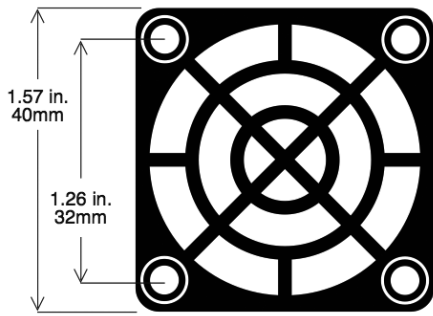
WMG172M
WMG172B



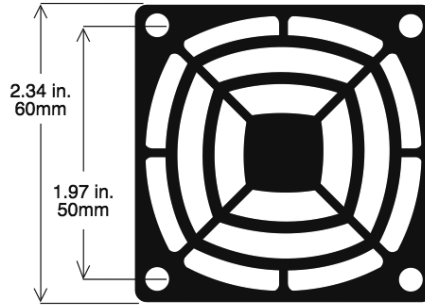
Fan Guards



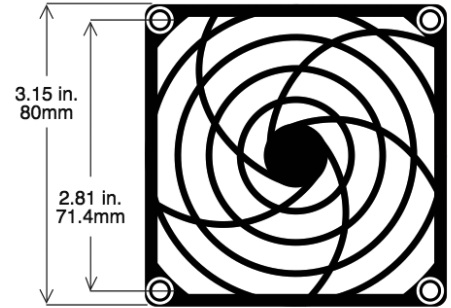
Plastic, UL94V-0



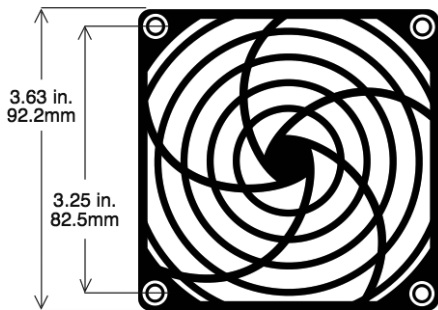
G40P



G60P



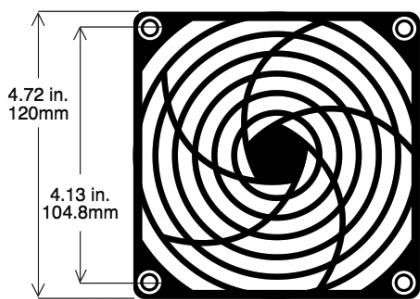
G80P



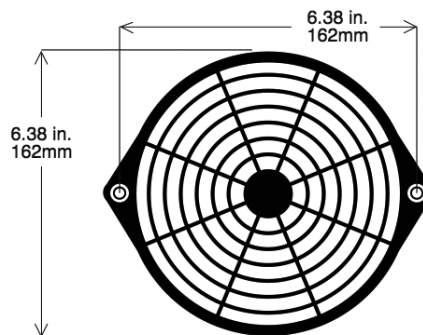
G92P



Part Number	Fan Size	Matching Fan Series
G40P	40mm (1.57")	OD4010, OD4020, OD4028
G60P	60mm (2.36")	OD6010, OD6015, OD6020, OD6025, OA60
G80P	80mm (3.15")	OD8015, OD8020, OD8025, OA825, OA80
G92P	92mm (3.62")	OD9220, OD9225, OA92, OA938
G120P G120POG	120mm (4.7")	OD1225, OD1238, OA125, OA109, OA4715
G172P	172mm (6.7")	OD172, OA162, OA172



G120P



G172P



Aerodynamic design helps to reduce fan noise

Push-On Guards

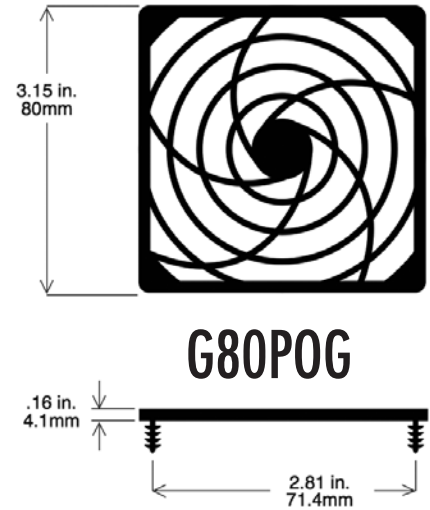
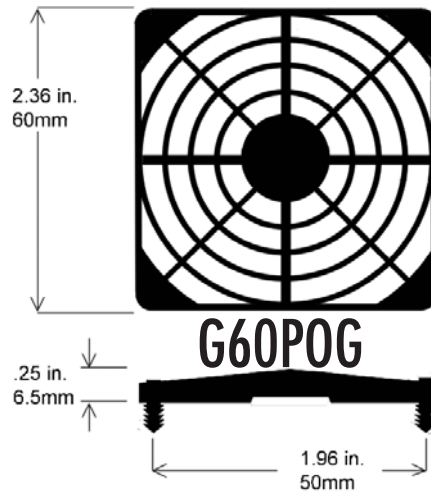


Plastic, UL94V-0

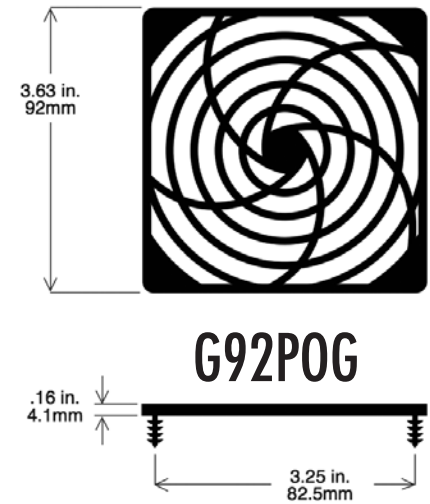
Material:
UL94V-0 plastic OR
Nylon UL94HB (G60POG)

Color:
Black is standard however
custom colors are available

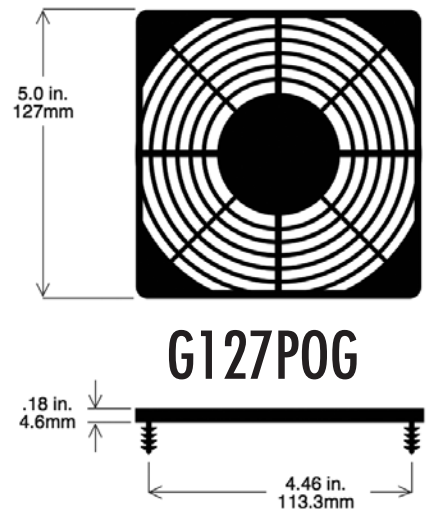
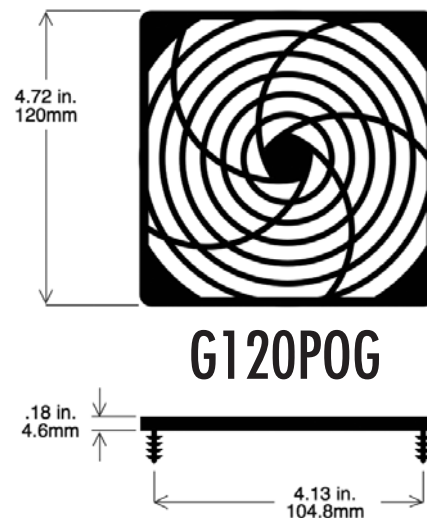
**No hardware required for
installation**



Part Number	Fan Size	Matching Fan Series
G60POG	60mm (2.36")	OD6010, OD6015, OD6020, OD6025, OA60
G80POG	80mm (3.15")	OD8015, OD8020, OD8025, OA825, OA80
G92POG	92mm (3.62")	OD9220, OD9225, OA92, OA938
G120POG	120mm (4.7")	OD1225, OD1238, OA125, OA109, OA4715
G127POG	127mm (5.0")	OD172, OA162, OA172



**Meets UL/cUL
6.35mm (0.25")
ring spacing
requirement**



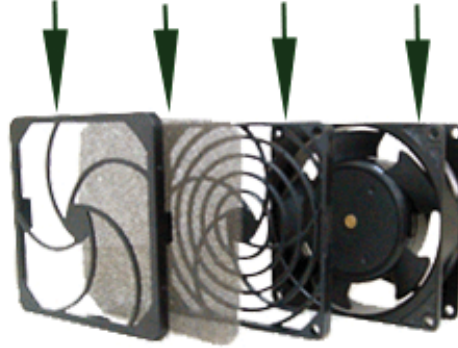
Filter Assemblies



UL94V-0, Plastic

Each filter kit is comprised of a guard which attaches to the fan, a plastic retainer which snaps into the guard and a sheet of filter media in either 30ppi (pores per inch) or 45ppi.

Retainer Media Guard Fan



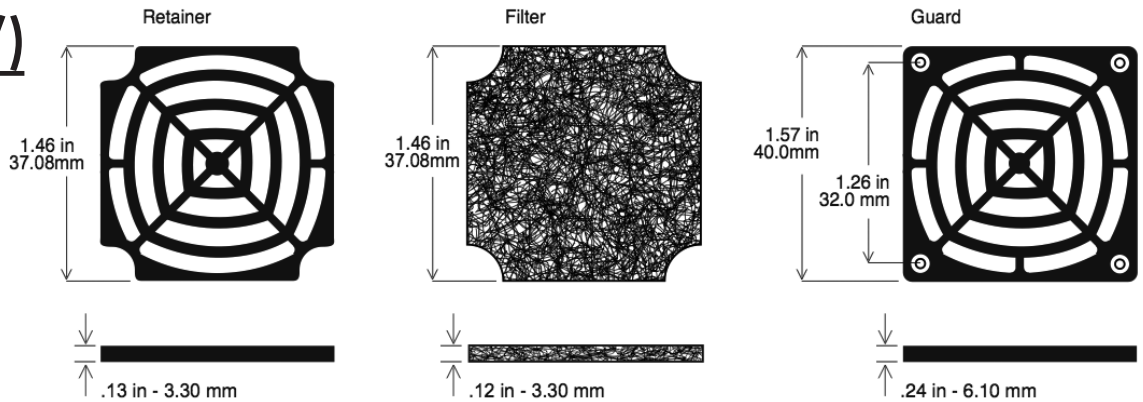
Guards and retainers are high impact plastic. All meet UL94V-0 flammability requirements.

Foam filter meets UL94HF1 smoke generation requirements.

Meets UL/cUL 6.35mm ring spacing requirement.

40mm (1.57")

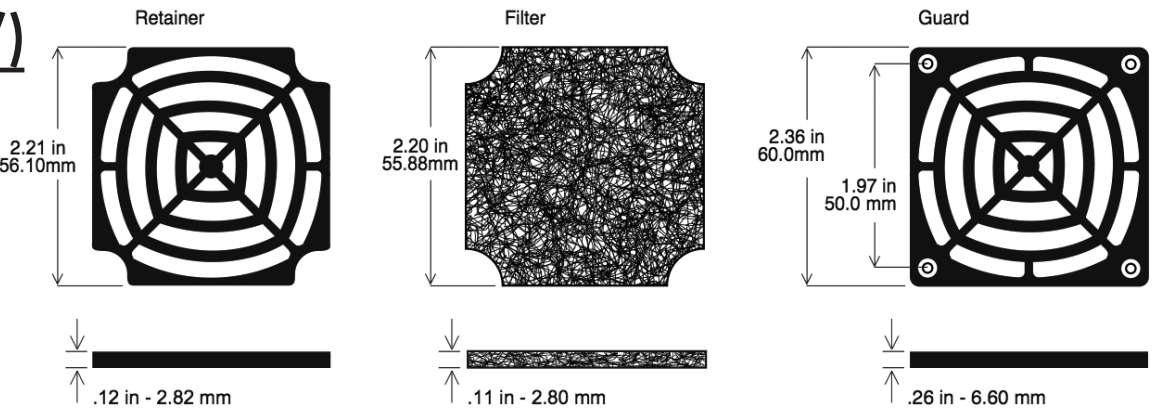
Assembly Part Nos.	GRM40-30 GRM40-45
Guard Part No.	G40P
Retainer Part No.	R40P
Media Part Nos.	M40-30 or M40-45



Matching Fan Series: OD4010, OD4020, OD4028

60mm (2.36")

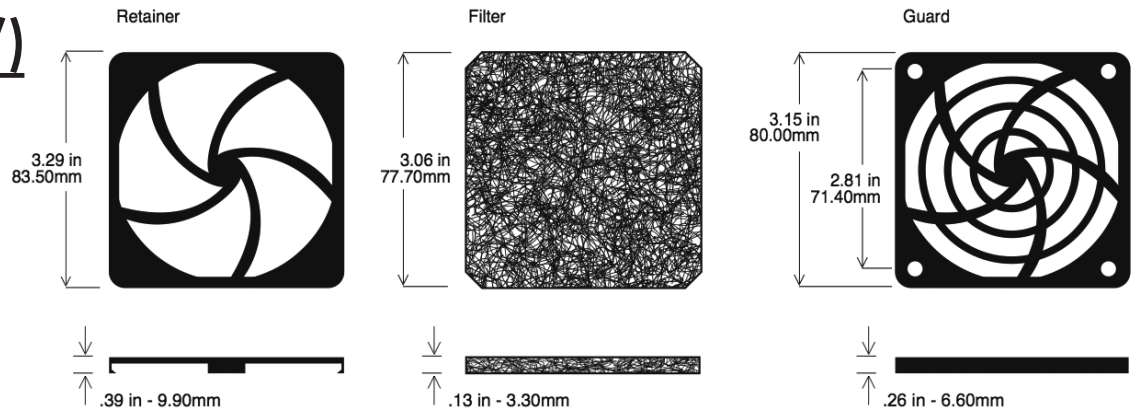
Assembly Part Nos.	GRM60-30 GRM60-45
Guard Part No.	G60P
Retainer Part No.	R60P
Media Part Nos.	M60-30 or M60-45



Matching Fan Series: OD6010, OD6015, OD6020, OD6025, OA60

80mm (3.15")

Assembly Part Nos.	GRM80-30 GRM80-45
Guard Part No.	G80P
Retainer Part No.	R80P
Media Part Nos.	M80-30 or M80-45



Matching Fan Series: OD8015, OD8020, OD8025, OD8038, OA825, OA80

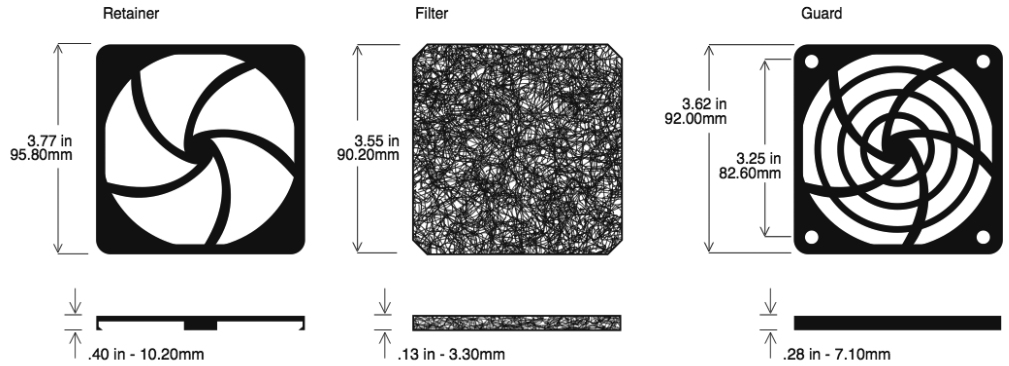
High Impact UL94V-0 plastic Frame

Aerodynamic design helps to reduce fan noise

Meets UL/cUL 6.35mm (0.25") ring spacing requirement

92mm (3.62")

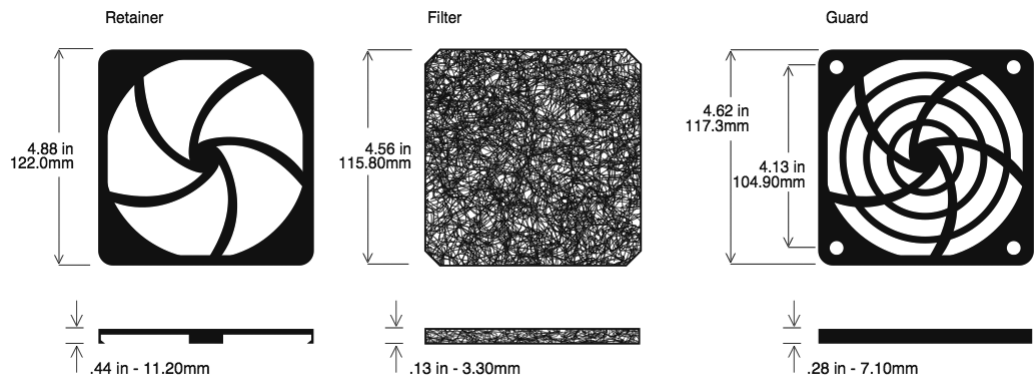
Assembly Part Nos.	GRM92-30 GRM92-45
Guard Part No.	G92P
Retainer Part No.	R92P
Media Part Nos.	M92-30 or M92-45



Matching Fan Series: OD9220, OD9225, OA92, OA938

120mm (4.7")

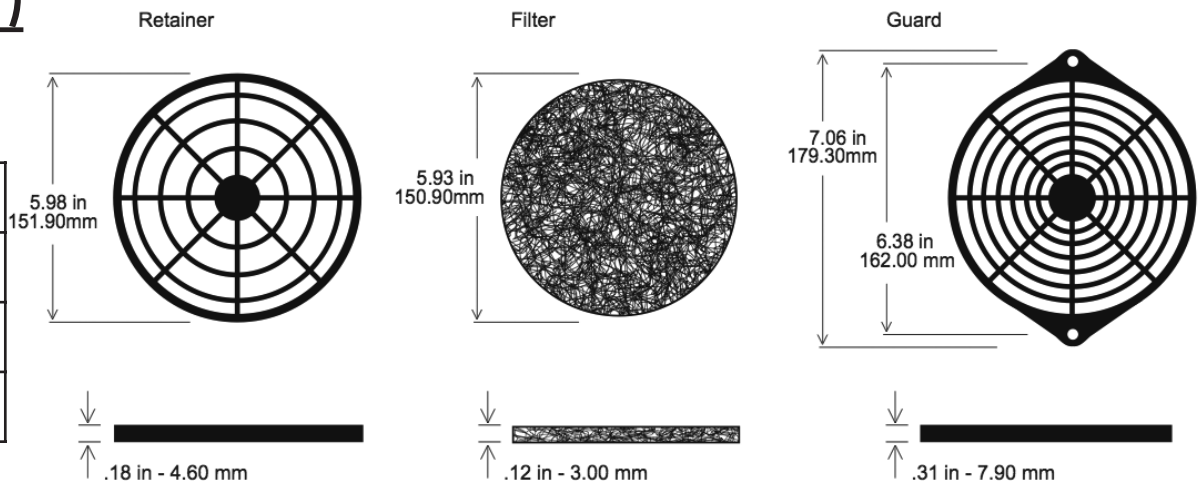
Assembly Part Nos.	GRM120-30 GRM120-45
Guard Part No.	G120P
Retainer Part No.	R120P
Media Part Nos.	M120-30 or M120-45



Matching Fan Series: OD1225, OD1238, OA125, OA109, OA4715

172mm (6.7")

Assembly Part Nos.	GRM172-30 GRM172-45
Guard Part No.	G172P
Retainer Part No.	R172P
Media Part Nos.	M172-30 or M172-45



Matching Fan Series: OD172, OA162, OA172

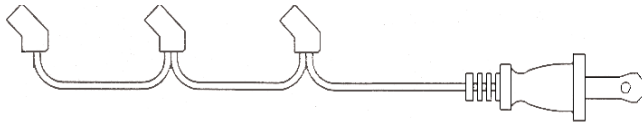
Fan Cords & Daisy Chains



C45 C90 C180 C180T
SPT-1, 2x 18AWG, 105C

Customizing your part number-

Head	Number of Heads	Lead Length	Termination
C45 -	3DC -	72	P
C45 = 45 deg. C90 = 90 deg. C180 = straight C180T = "T" shaped	blank = 1 2DC = 2 3DC = 3 4DC = 4 6DC = 6 9DC = 9	Lead length in inches. 12" increment is standard for stock product.	blank = blunt cut ST = Stripped and Tinned P = NEMA 1-15 AC plug added EURO = European plug

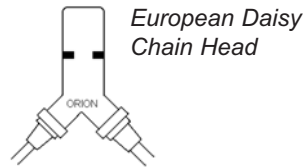


Daisy Chains permit multiple connections of fans to a single power source.

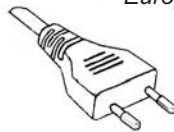
Product is available from stock in 2, 3, 4, 6 and 9 head configurations with lead lengths ranging from 12 inches to 12 feet.

Each head is separated by 12 inches of cord.

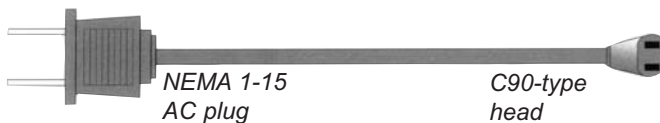
Standard product is blunt cut, but cords are usually available with AC plugs on request for an additional charge.



European plug



UL Approved
Rating: 10 amp
125/250VAC



NEMA 1-15 AC plug

C90-type head

For Terminal type Fans

Fans with terminals make connecting and disconnecting power a breeze.



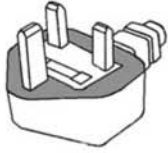
Stocked Cords

Part Number	Features
[12 inch Lead]	
C45-12	
C90-12	Standard cord, blunt cut, one head
C180-12	
C180T-12	
[24 inch Lead]	
C45-24	Standard cord, blunt cut, one head
C45-24P	AC plug added
C45-2DC-24	2-head daisy chain
C45-3DC-24	3-head daisy chain
C45-4DC-24	4-head daisy chain
C45-6DC-24	6-head daisy chain
C45-9DC-24	9-head daisy chain
C90-24	
C180-24	Standard cord, blunt cut, one head
C180T-24	
[36 inch Lead]	
C45-36	
C90-36	Standard cord, blunt cut, one head
C180-36	
C180T-36	
[48 inch Lead]	
C45-48	Standard cord, blunt cut, one head
C45-48P	AC plug added
C90-48	
C180-48	Standard cord, blunt cut, one head
C180T-48	
[72 inch Lead]	
C45-72	Standard cord, blunt cut, one head
C45-3DC-72P	3-head daisy chain, AC plug added
C90-72	Standard cord, blunt cut, one head
C90-72P	AC plug added
C180-72	
C180T-72	Standard cord, blunt cut, one head
[144 inch Lead]	
C90-144P	AC plug added
C45-2DC-144P	2-head daisy chain, AC plug added

3 - Conductor Power Cords



Custom Solutions



International Power Cords & Connectors

Shielded & Unshielded

Hospital Grade

Custom Fan Assemblies & Connectors

2 & 3-conductor

Molded Plugs



Example: 3-conductor, unshielded, SJT cord with a 5-15P plug and a C-13 connector. 6'7" long, black



No. of Conductors	Wire Gauge	Cord Type	Plug	Connector	Length	Color Code
2	4	1	3	1	67	01
1 = 2 Conductor 2 = 3 Conductor (unshielded) 3 = 3 Conductor (shielded)	2 = 12AWG 4 = 14AWG 6 = 16AWG 8 = 18AWG A = 0.75mm B = 1.0mm C = 1.5mm	1 = SJT 2 = SVT 3 = SPT-1 4 = SJO 6 = H03VV-F 7 = H03VVH2-F 8 = H05VV-F	0 = None 1 = 1-15 Standard 2 = 1-15P Polarized 3 = 5-15P Straight 4 = 5-15P Right Angle 5 = 5-15P Hospital Grade Clear 6 = 5-15P Hospital Grade Gray 7 = C-14 8 = 5-20P 9 = 6-15P A = 003A Europe B = 006B Europe C = 010 Europe D = 010A Europe E = 012A UK F = 015 Australia G = 019 Europe	0 = None 1 = C-13 Straight 2 = C-13 Right Angle 3 = C-14 4 = C-15 5 = C-19 6 = C-17 7 = 022A 8 = 002-2	18 = 1'8" 33 = 3'3" 50 = 5'0" 60 = 6'0" 67 = 6'7" 76 = 7'6" 80 = 8'0" 910 = 9'10" 100 = 10'0" 160 = 16'0"	01 = Black 02 = Brown 03 = Gray 05 = White

**LET US QUOTE ON
YOUR CUSTOM CORD
REQUIREMENTS**

**COMPLETE TURNKEY
ASSEMBLIES DELIVERED
JIT WORLDWIDE**

STOCKED CORDS					
Part No.	Wire Gauge (AWG)	Cord Type	Plug	Connector	
24130-67-01	14	SJT	5-15P	wire leads	
24130-910-01					
26130-67-01	16				
26130-910-01					
28130-67-01	18	SVT			
28130-910-01					
28230-67-01	14	SJT		C-13	
28230-910-01					
24131-67-01	16				
24131-910-01					
26131-67-01	18	SVT			
26131-910-01					
28131-67-01	16	SJT	C-14		C-13
28131-910-01					
28231-76-01	18				
28231-910-01					
26171-33-01	16	SVT			
26171-910-01					
28171-33-01	18	SJT			
28271-33-01					
26101-67-01	16	SJT	none	C-13	
26101-910-01					
28101-67-01	18				
28101-910-01					
28201-76-01	16	SVT			
28201-910-01					

CORDAGE	DESCRIPTION
SPT-1	Service Parallel Thermoplastic, 1/32" Insulation, 2 or 3 conductor
SPT-2	Service Parallel Thermoplastic, 3/64" Insulation, 2 or 3 conductor
SPT-3	Service Parallel Thermoplastic, 1/16" Insulation, 2 or 3 conductor
SJT	Service Junior Thermoplastic, 3 conductor
SVT	Service Vacuum Thermoplastic, 3 conductor
SJO	Service Junior Oil Resistant, 3 conductor
SJTW-A	Service Junior Thermoplastic, Outdoor use, 3 conductor
HPN	Heater Parallel Neoprene, 2 or 3 conductor
H03VV-F	Harmonized, 300V, PVC jacket and conductor insulation, flexible cable
H03VVH2-F	Harmonized, 300V, PVC jacket and conductor insulation, flat, non-separable
H05VV-F	Harmonized, 500V, PVC jacket and conductor insulation, flexible cable

3-Conductor Power Cords



Shielded & Unshielded



Part Number	Gauge AWG	Cord Type	Length	NEMA Plug	NEMA Connector	Amp Rating (@125VAC)
34131-67-01	14	SJT	6'7"	5-15P	C-13	15
34131-910-01	14	SJT	9'10"	5-15P	C-13	15
36131-67-01	16	SJT	6'7"	5-15P	C-13	13
36131-910-01	16	SJT	9'10"	5-15P	C-13	13
38131-67-01	18	SJT	6'7"	5-15P	C-13	10
38131-910-01	18	SJT	9'10"	5-15P	C-13	10
38231-67-01	18	SVT	6'7"	5-15P	C-13	10
38231-910-01	18	SVT	9'10"	5-15P	C-13	10
38231-67-01	18	SVT	6'7"	5-15P	C-13	10



36132-67-01	16	SJT	6'7"	5-15P	C-13	13
36132-910-01	16	SJT	9'10"	5-15P	C-13	13
38132-67-01	18	SJT	6'7"	5-15P	C-13	10
38132-910-01	18	SJT	9'10"	5-15P	C-13	10
38232-67-01	18	SVT	6'7"	5-15P	C-13	10
38232-910-01	18	SVT	9'10"	5-15P	C-13	10



36171-33-01	16	SJT	3'3"	C-14	C-13	13	
38171-33-01	18	SJT	3'3"	C-14	C-13	10	
38271-33-01	18	SVT	3'3"	C-14	C-13	10	
26171-33-01	16	SJT	3'3"	C-14	C-13	13	UNSHIELDED
28171-33-01	18	SJT	3'3"	C-14	C-13	10	UNSHIELDED
28271-33-01	18	SVT	3'3"	C-14	C-13	10	UNSHIELDED



36101-67-01	16	SJT	6'7"	—	C-13	13	
36101-910-01	16	SJT	9'10"	—	C-13	13	
38101-67-01	18	SJT	6'7"	—	C-13	10	
38101-910-01	18	SJT	9'10"	—	C-13	10	
38201-67-01	18	SVT	6'7"	—	C-13	10	
38201-910-01	18	SVT	9'10"	—	C-13	10	
26101-67-01	16	SJT	6'7"	—	C-13	13	UNSHIELDED
26101-910-01	16	SJT	9'10"	—	C-13	13	UNSHIELDED
28101-67-01	18	SJT	6'7"	—	C-13	10	UNSHIELDED
28101-910-01	18	SJT	9'10"	—	C-13	10	UNSHIELDED
28201-76-01	18	SVT	7'6"	—	C-13	10	UNSHIELDED



36102-67-01	16	SJT	6'7"	—	C-13	13	
36102-910-01	16	SJT	9'10"	—	C-13	13	
38102-67-01	18	SJT	6'7"	—	C-13	10	
38102-910-01	18	SJT	9'10"	—	C-13	10	
38202-67-01	18	SVT	6'7"	—	C-13	10	
38202-910-01	18	SVT	9'10"	—	C-13	10	
26102-67-01	16	SJT	6'7"	—	C-13	13	UNSHIELDED
26102-910-01	16	SJT	9'10"	—	C-13	13	UNSHIELDED
28102-67-01	18	SJT	6'7"	—	C-13	10	UNSHIELDED
28102-910-01	18	SJT	9'10"	—	C-13	10	UNSHIELDED

10557 Metric Drive, Dallas, Texas 75243

Call Us: 800-323-2439 or 214-340-0265

www.OrionFans.com (Orion Fans is a registered Trademark of Knight Electronics, Inc.)

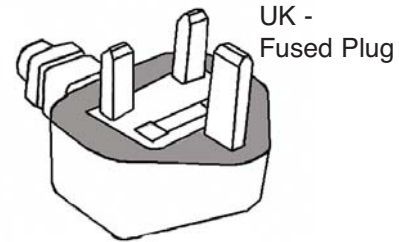
3 - Conductor Power Cords



Hospital Grade & International

International Cordage Available -

Taiwan, Japan, China, Australia, Argentina, Korea, Europe, Russia, Denmark, Greece, Israel, South Africa, Italy, Switzerland, UK, Singapore, Hong Kong, Malaysia, India, Brazil, Mexico, North America



North American
Color Code



Hospital
Grade

Part Number	Gauge AWG	Cord Type	Length	NEMA Plug	NEMA Connector	Amp Rating (@125VAC)
28150-80-03	18	SJT	8'0"	5-15P	—	10
28150-100-03	18	SJT	10'0"	5-15P	—	10
28160-80-03	18	SJT	8'0"	5-15P	—	10
28160-100-03	18	SJT	10'0"	5-15P	—	10

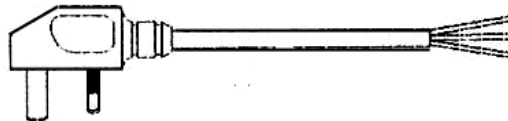
North American
Color Code



Hospital
Grade

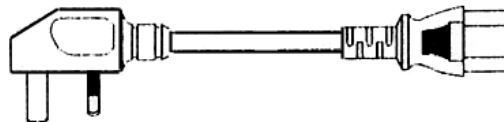
28151-80-03	18	SJT	8'0"	5-15P	C-13	10
28151-100-03	18	SJT	10'0"	5-15P	C-13	10
28161-80-03	18	SJT	8'0"	5-15P	C-13	10
28161-100-03	18	SJT	10'0"	5-15P	C-13	10

United
Kingdom

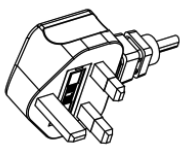


Part Number	Gauge (mm)	Cord Type	Length	Plug	Connector	Amp Rating (@250VAC)
2B8E025-01	3X1.00	H05VV	2.5M	012A	—	10

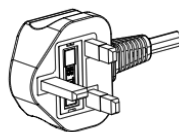
United
Kingdom



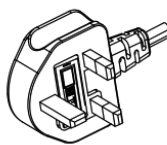
I2B8E825-01	3X1.00	H05VV-F-F	2.5M	012A	002-2	10
-------------	--------	-----------	------	------	-------	----



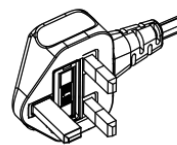
012A
With Fuse



012A-A (small body)
(Flat SR) With fuse



012A-1 (small strain relief protector)
(Plastic Grounding Pin) With Fuse



012D (Plastic Grounding Pin)
With Fuse & inductance



10557 Metric Drive, Dallas, Texas 75243

Call Us: 800-323-2439 or 214-340-0265

www.OrionFans.com (Orion Fans is a registered Trademark of Knight Electronics, Inc.)



KNIGHT

Electronics, Inc.

KNIGHT ELECTRONICS
10557 METRIC DRIVE
DALLAS, TEXAS 75243
800-323-2439 TOLL FREE
214-340-0265 PHONE
214-340-5870 FAX
WEB: WWW.ORIONFANS.COM

STOCKING REPRESENTATIVE - EUROPE
SOLID STATE SUPPLIES
EASTLANDS LANE
PADDOCK WOOD
KENT TN12 6BU
01892 836836 PHONE
01892 837837 FAX
WWW.SSSPLC.COM

