

Universal Serial Bus (USB) Connectors



ORDERING GUIDE

690 - 004 - 2 20 - 0 1 3

Series ———
 Total # Contacts ———
 Contact Plating Code ———
 Contact Code ———
 Edac Internal ———
 Series Indicator ———
 Grounding Feature ———

Series

690	socket
692	mini USB
693	firewire

Total Contacts

004	single port
008	dual port

Contact Plating Code

2	gold flash
3	15u" gold
6	30u" gold

Contact Code

20	right angle thru hole 9.9mm footprint
21	right angle thru hole 10.28mm footprint
90	series A crimp connector
92	series B crimp connector
93	complete overmoulded cable series A to B

Edac Internal Use

0	indicates generic internal use code
---	-------------------------------------

Series Indicator

1	series A
2	series B
3	cable assembly

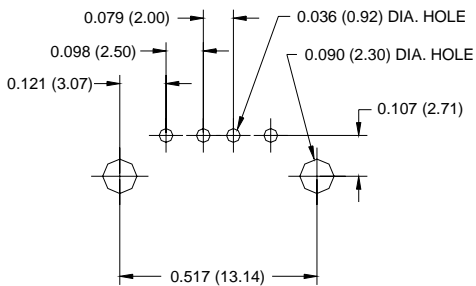
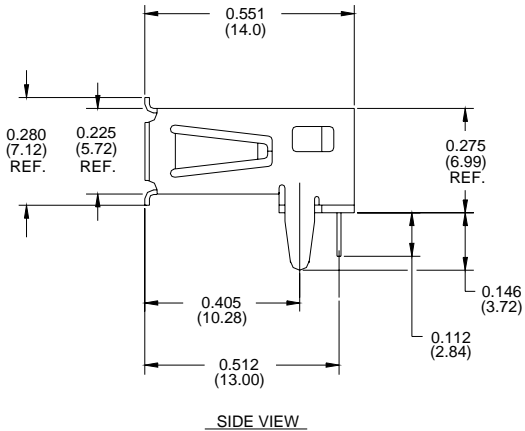
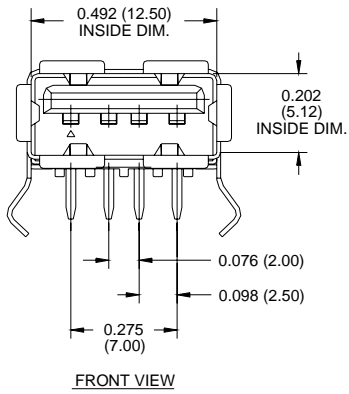
Grounding Feature

0	none (cable assembly & crimp)
3	boardlocks



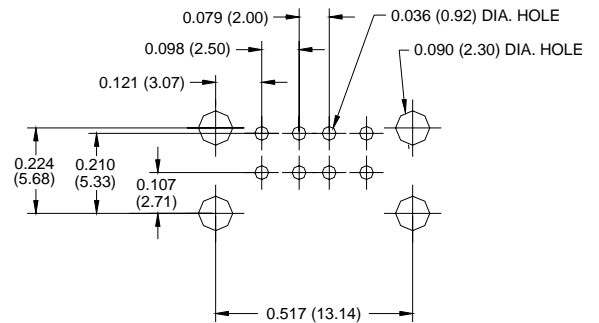
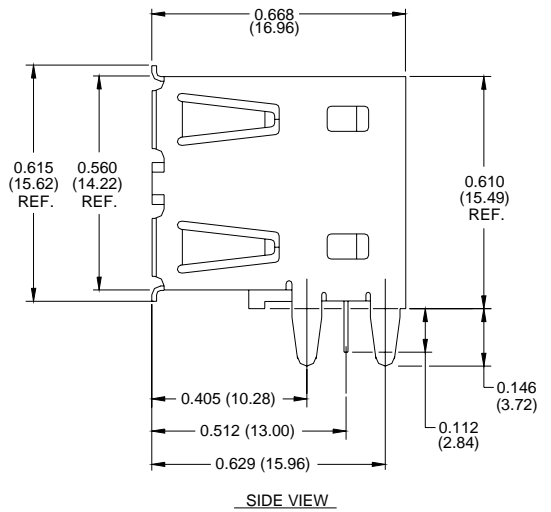
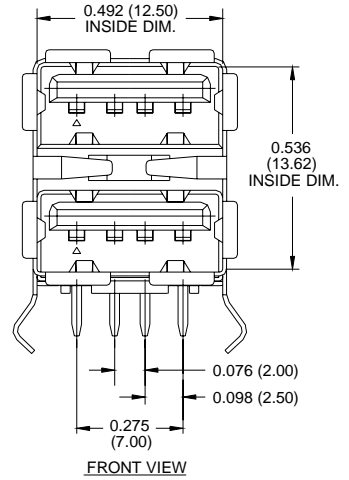
Connector Layout

SINGLE PORT



RECOMMENDED PC BOARD LAYOUT

DUAL PORT



RECOMMENDED PC BOARD LAYOUT