

CPC1465

High-speed Line Interface Product



Features

- Meets wetting (sealing) current requirements per ITU-T G.991.2
- Integrated bridge rectifier for polarity correction
- Uses optocoupler for DC signalling
- Electronic inductor, breakover, and latch circuits
- Current limiting and excess power protection circuits
- ANSI SHDSL and ISDN compatible
- MLT and SARTS compatible
- Compatible with portable test sets
- Compatible with GlobespanVirata and Conexant SHDSL transceiver chip set families
- Small 16-pin SOIC package

Applications

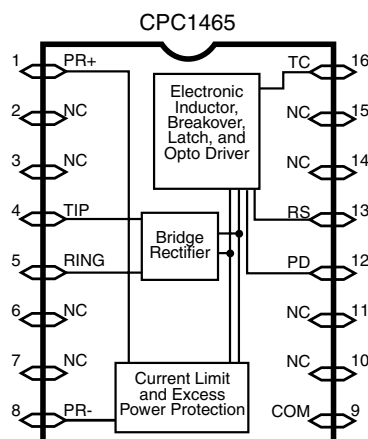
- Router and bridge customer premises equipment
- Leased line equipment
- T1/E1 network line cards and repeaters
- Network Termination 1 (NT1) equipment
- Mechanized Loop Test (MLT) networks
- Switched Access Remote Test System (SARTS) networks

Description

The CPC1465 is a DC Termination IC used in Single-pair High-speed Digital Subscriber Line (SHDSL) and Integrated Services Digital Network Subscriber Line (ISDN) equipment.

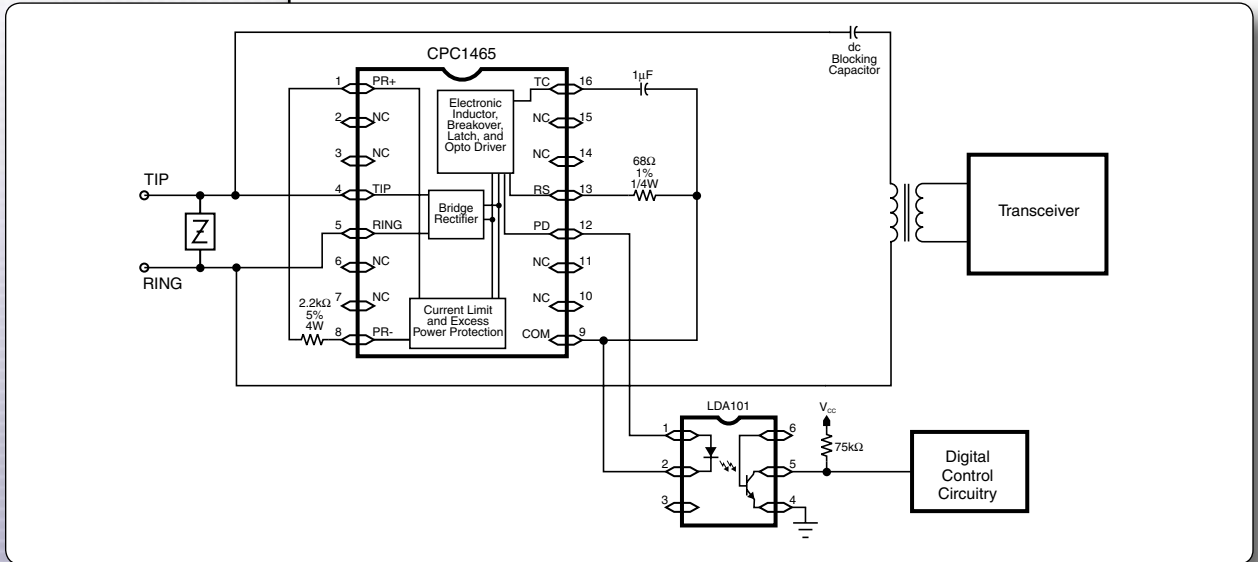
The CPC1465 provides a polarity-insensitive DC Termination for wetting (sealing) current and a recognizable signature for MLT systems. The part has excellent linearity (78dB typical) to minimize the harmonic distortion associated with its AC impedance and well-controlled turn-on and turn-off characteristics to minimize impulse noise and DSL in-band signal energy into the channel. Since it interfaces with the tip/ring pair, it is rated at 300V to handle power cross and lightning transients. The part will be manufactured in Clare's proven 320V Silicon-On-Insulator (SOI) process and packaged in a 16-pin SOIC. The CPC1465 is pin-compatible with other 16-pin DC Termination ICs.

Block Diagram

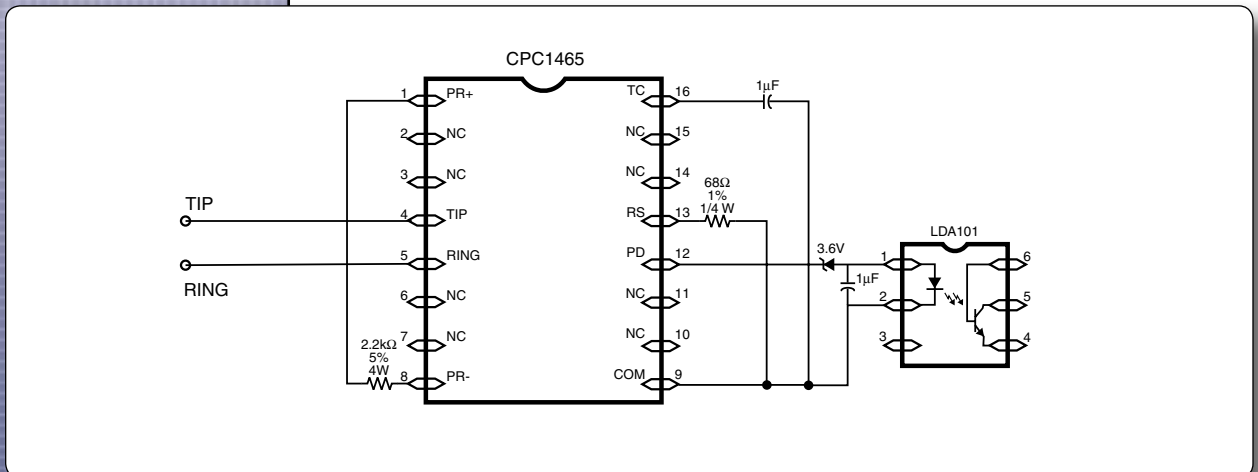


CPC1465 High-speed Line Interface Product

Typical 2-Wire DC Termination Application



Typical ISDN NT1 Application Diagram



CLARE
An IXYS Company

Clare
78 Cherry Hill Drive
Beverly, MA 01915
Tel: 978-524-6700
Fax: 978-524-4700
Web: www.clare.com

Ordering Information

Part #	Description
CPC1465D	DC Termination IC, 16-pin SOIC, in tubes
CPC1465DTR	DC Termination IC, 16-pin SOIC, in tape and reel