

# SN173 ProtoBoard



Title	Sheet #
Index	1
SM220 pinout & Power supply	2
Serial Communication	3
LEDs and Switches	4

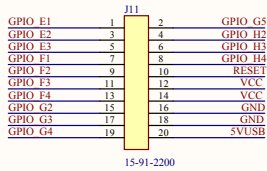
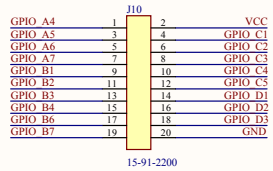
REV	Description	DATE	BY
A	Prototype Build	05/06/2015	Max Avula
B	Production Release	05/??/2015	Max Avula

Variant Descriptions:  
 200362-01 Production Variant

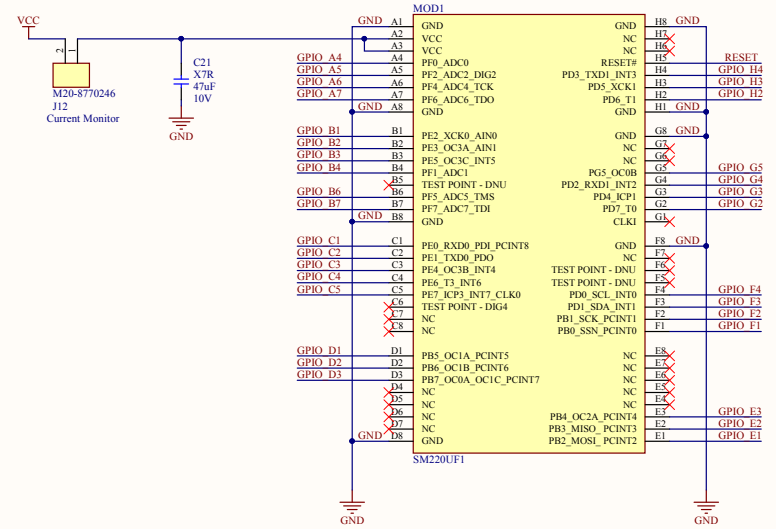
"I understand that the information I am receiving may not be complete or accurate, and the products depicted in drawings, models, specifications, and other types of content may not be to scale, or the most recent version. I further agree that all information is provided "AS IS" WITHOUT ANY WARRANTY, EXPRESS OR IMPLIED, INCLUDING BUT NOT LIMITED TO WARRANTIES OF TITLE OR NON-INFRINGEMENT OR COMPLIANCY WITH ANY PARTICULAR LEGISLATION OR IMPLIED WARRANTIES OF MERCHANTABILITY OR FITNESS FOR A PARTICULAR PURPOSE. I further understand that use of these files is AT MY OWN RISK and may only be used for the purpose of using or considering purchase of Synapse Wireless, Inc. products."

<p><b>PROPRIETARY NOTICE</b>                  This document contains proprietary information and such information may not be disclosed to others for any purpose or used for manufacturing purposes without written permission from Synapse Wireless Inc.                  The United States Government and other recipients shall not be bound by this restriction to the extent they have by written contract acquired greater rights.</p>	 Synapse Wireless Inc. 6723 Odyssey Drive Huntsville, AL 35806 256-852-7888	Title		
		Assembly, PCB, SN173 ProtoBoard		Revision
		Size	Number	B.1
		Tabloid	200433-01	
Date:	6/2/2015	Sheet	1 of 4	
File:	C:\AltiumData\200433-01_1.SchDoc	Drawn By:	Max Avula	

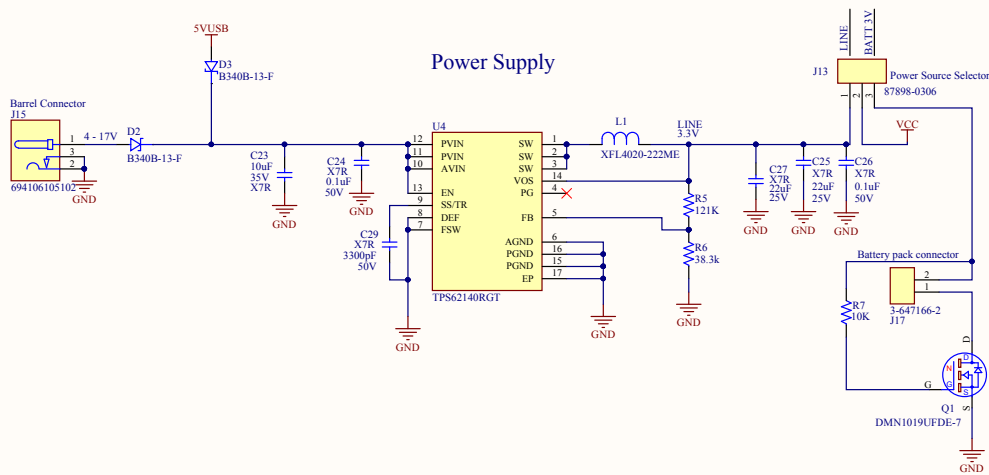
### Pin Headers



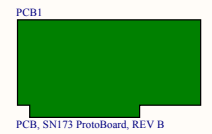
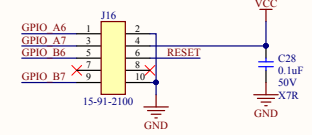
### SM220 Module



### Power Supply



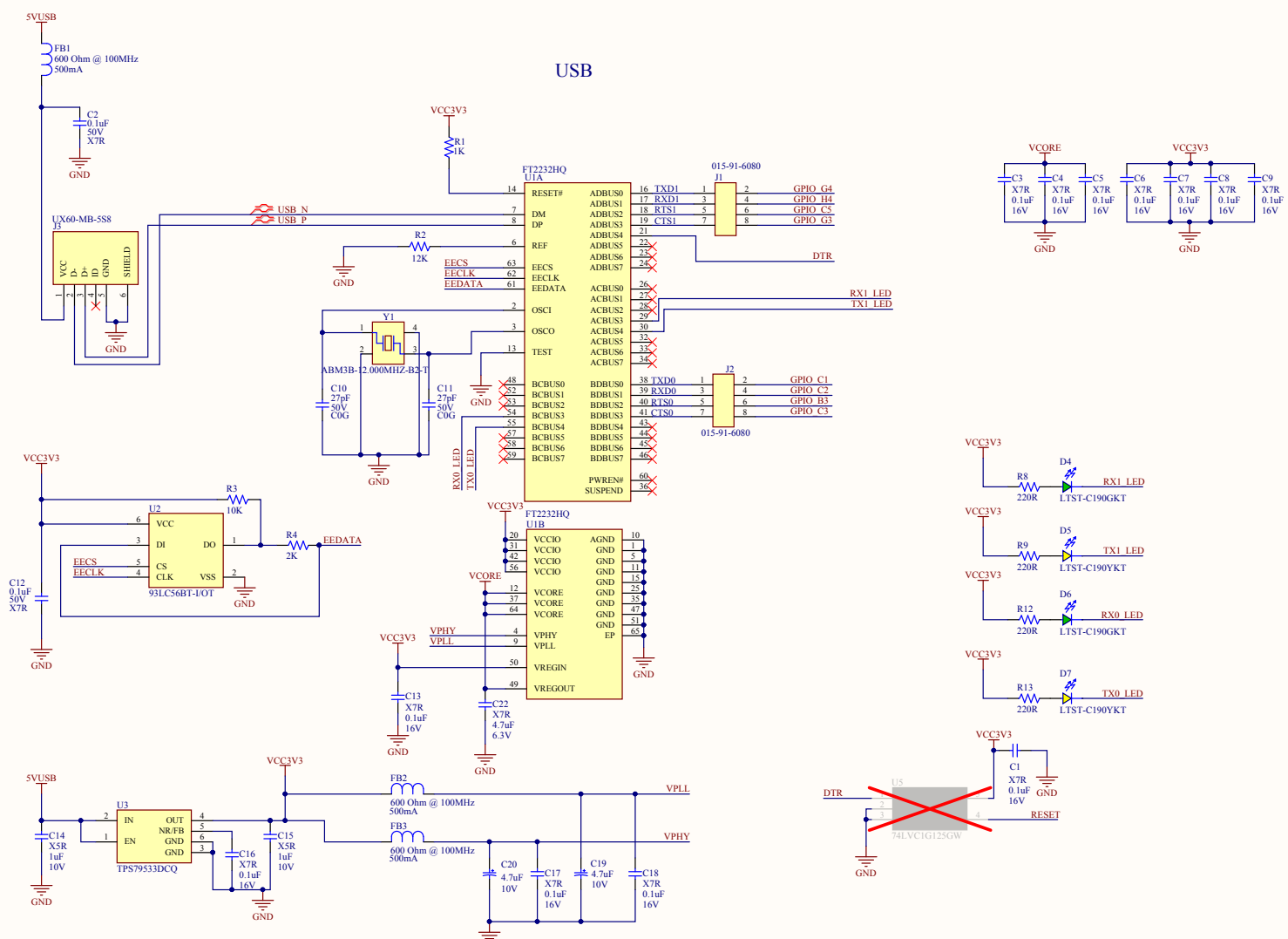
### JTAG Header



**PROPRIETARY NOTICE**  
This document contains proprietary information and such information may not be disclosed to others for any purpose or used for manufacturing purposes without written permission from Synapse Wireless Inc. The United States Government and other recipients shall not be bound by this restriction to the extent they have by written contract acquired greater rights.

**synapse**  
Synapse Wireless Inc.  
6723 Odyssey Drive  
Huntsville, AL  
35806  
256-852-7888

Title		Assembly, PCB, SN173 ProtoBoard	
Size	Number	Revision	
Tabloid	200433-01	B.1	
Date:	6/2/2015	Sheet 2 of 4	
File:	C:\AltiumData\200433-01_2_SchDoc	Drawn By: Max Avula	

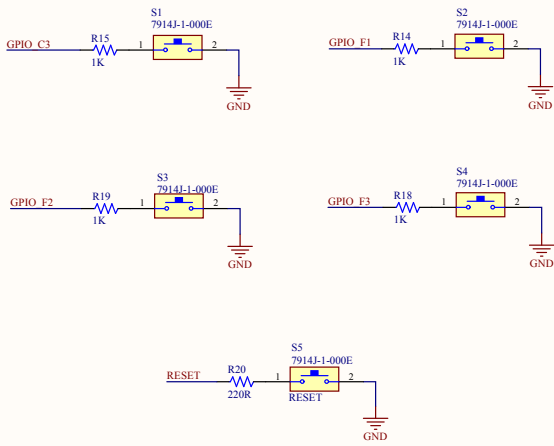


**PROPRIETARY NOTICE**  
 This document contains proprietary information and such information may not be disclosed to others for any purpose or used for manufacturing purposes without written permission from Synapse Wireless Inc. The United States Government and other recipients shall not be bound by this restriction to the extent they have by written contract acquired greater rights.

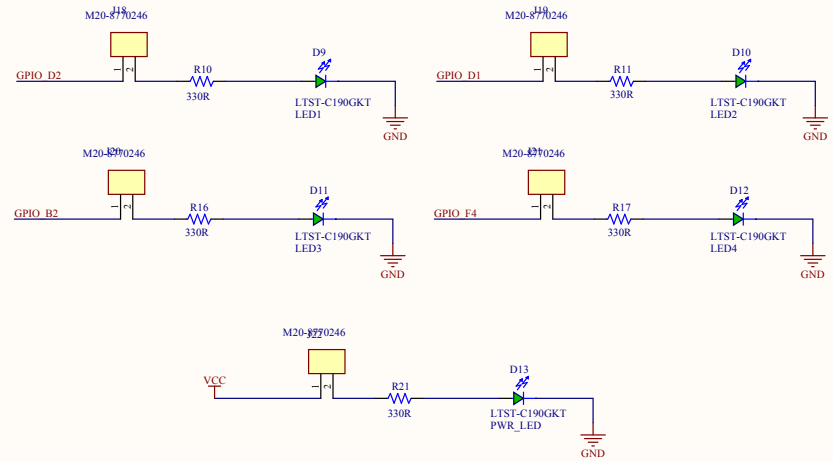
**synapse**  
 Synapse Wireless Inc.  
 6723 Odyssey Drive  
 Huntsville, AL  
 35806  
 256-852-7888

Title		Revision	
Assembly, PCB, SN173 ProtoBoard		B.1	
Size	Number	Date:	Sheet 3 of 4
Tabloid	200433-01	6/2/2015	
File:		C:\AltiumData\200433-01_3.SchDoc	
		Drawn By: Max Avula	

### Buttons



### LEDs



**PROPRIETARY NOTICE**  
 This document contains proprietary information and such information may not be disclosed to others for any purpose or used for manufacturing purposes without written permission from Synapse Wireless Inc. The United States Government and other recipients shall not be bound by this restriction to the extent they have by written contract acquired greater rights.

**synapse**  
 Synapse Wireless Inc.  
 6723 Odyssey Drive  
 Huntsville, AL  
 35806  
 256-852-7888

Title		Revision	
Assembly, PCB, SN173 ProtoBoard		B.1	
Size	Number	Date	Sheet 4 of 4
Tabloid	200433-01	6/2/2015	Max Avula
File: C:\AltiumData\200433-01_4.SchDoc		Drawn By: Max Avula	