



NEW FROM CONEC – SCREEN CAPS WITH LANYARDS & CAPTIVE SCREWS



FEATURES AND BENEFITS

- Easy to secure captive 4-40UNC thumb screw hardware
- Durable 4.25" long free rotating metal lanyard
- For both male and female connectors
- Water resistant (IP 67) and standard versions
- EMI/RFI protection
- Available in optional M3 screw thread
- RoHS Compliant

TECHNICAL DATA

Metal Shells with Tin Plating

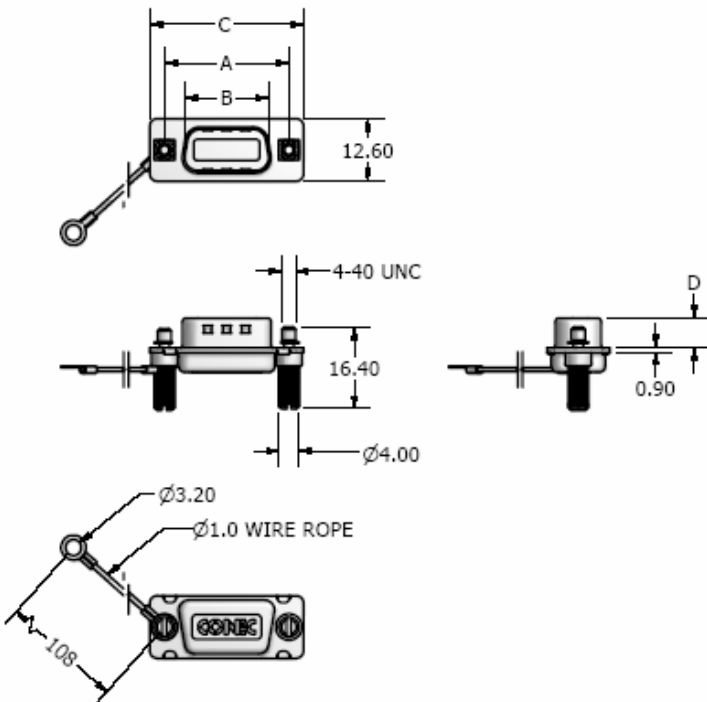
Lanyard Stainless Steel Wire Rope (4.25" Long)

Thumbscrews Steel Nickel Plate

Maximum Torque Value for Threads 6 in LB

TPE Ethylene Propylene Thermoplastic Rubber Seal (IP67 Versions only).

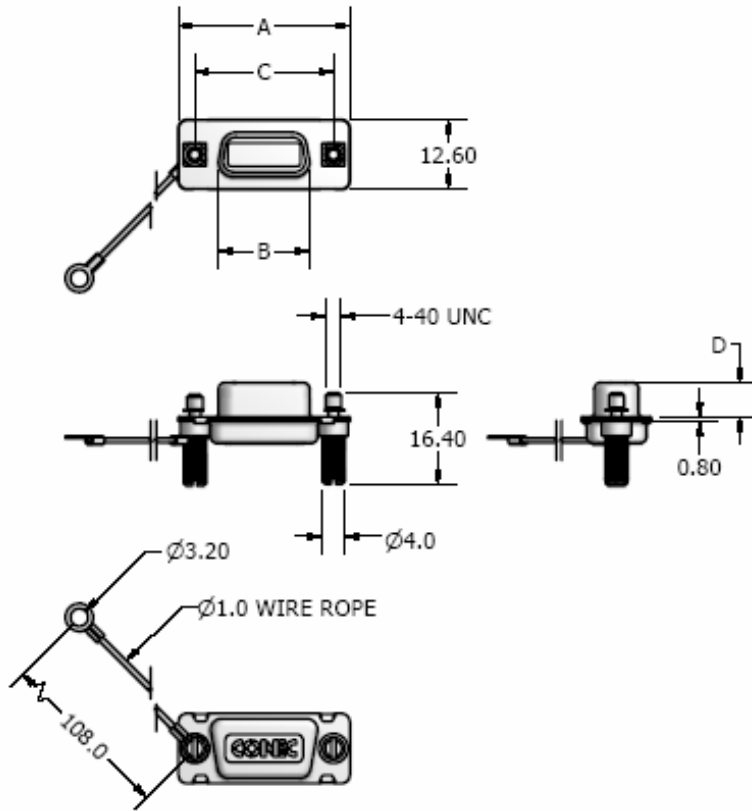
For Socket Connectors



No. of Pos.	A	B	C	D
9	31.19	16.79	25.00	6.12
15	39.52	25.12	33.30	6.12
25	53.42	38.84	47.04	5.99
37	69.70	55.30	63.50	5.99



For Plug Connectors



No. of Pos.	A	B	C	D
9	31.19	16.46	25.00	6.12
15	39.52	24.79	33.30	6.12
25	53.42	38.50	47.04	5.99
37	69.70	54.96	63.50	5.99

Part Numbers

No of Pos.	Standard for plug	Standard for Receptacle	Water Resistant for Plug	Water Resistant for Receptacle
9	16-000380	16-000280	15-000110	15-000010
15	16-000390	16-000290	15-000120	15-000020
25	16-000400	16-000300	15-000130	15-000030
37	16-000410	16-000310	15-000140	15-000040