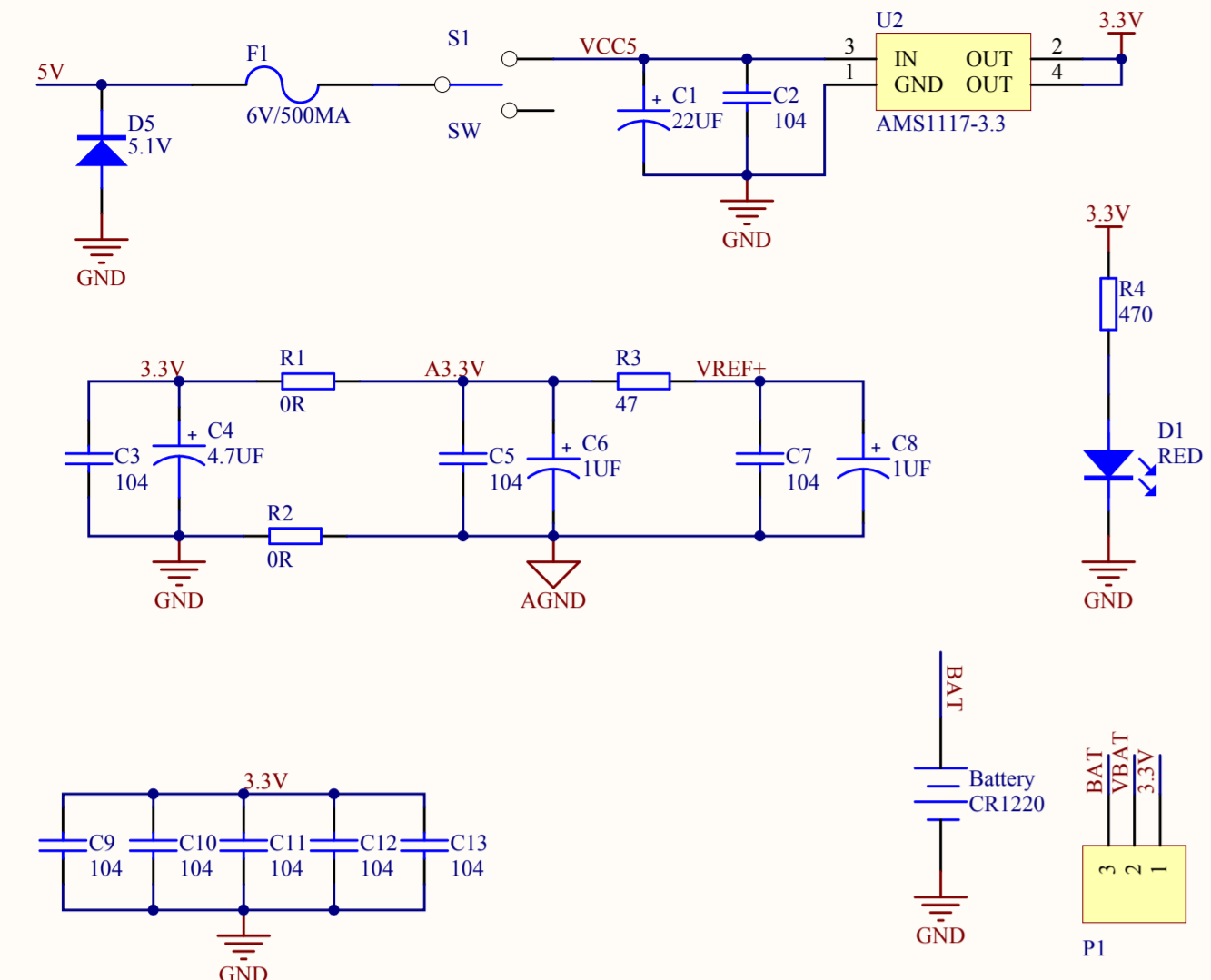
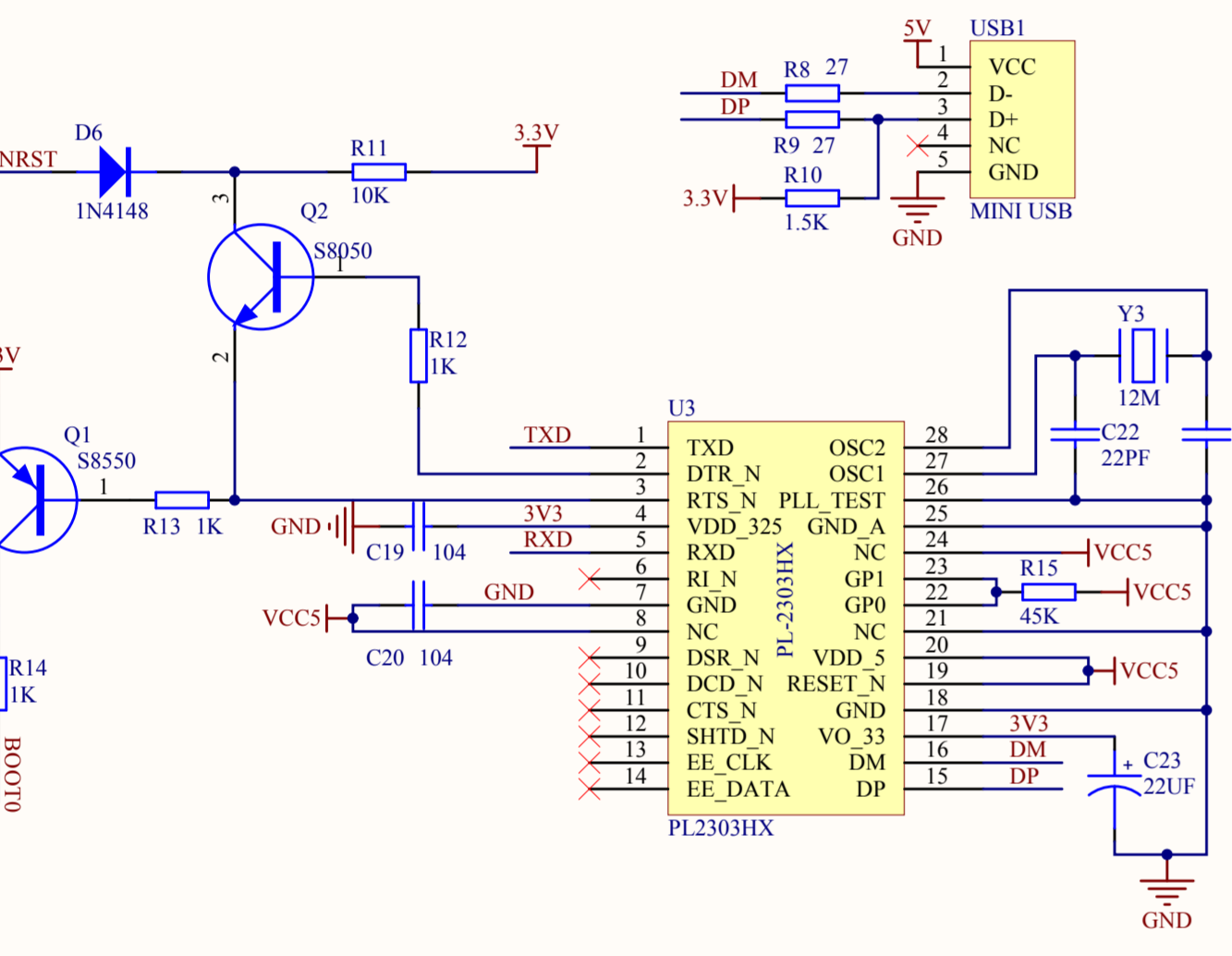


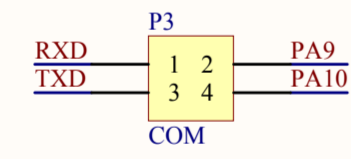
### Electric source



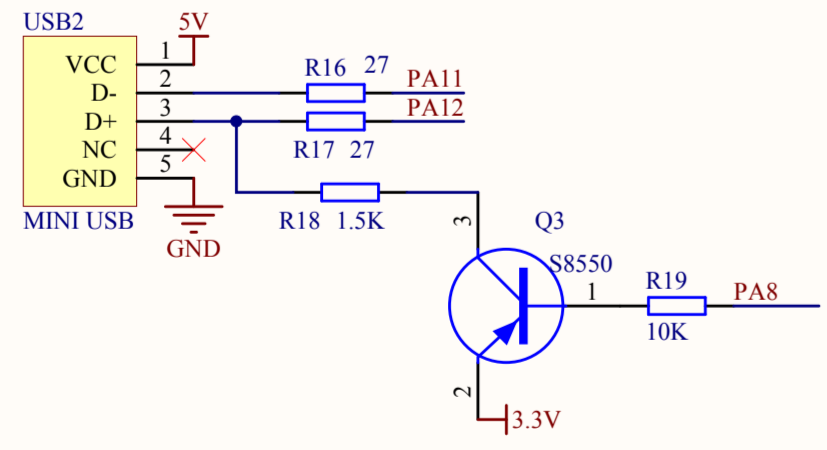
### PL2303HX



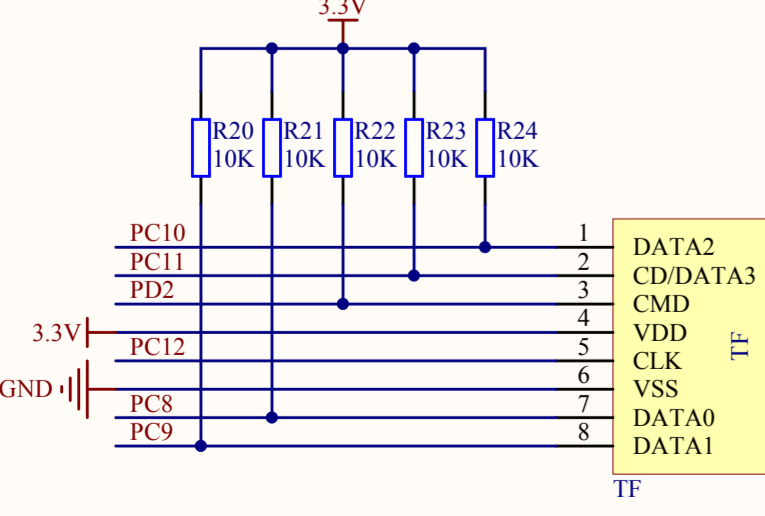
### COM



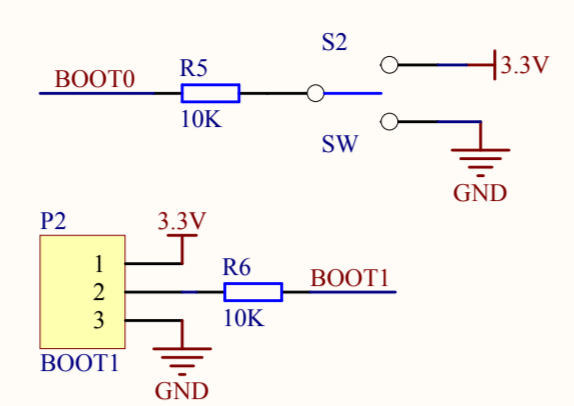
### USB



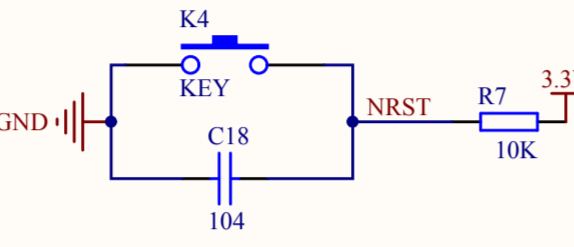
### TF



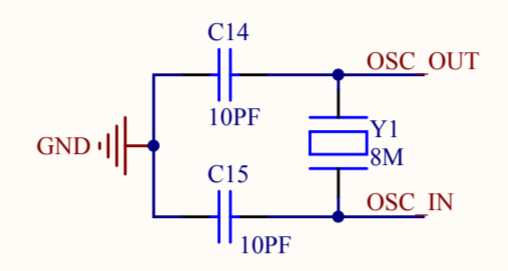
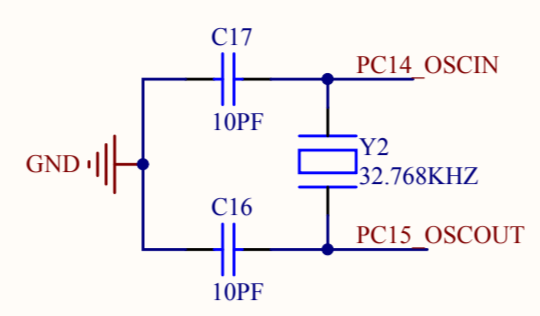
### Boot



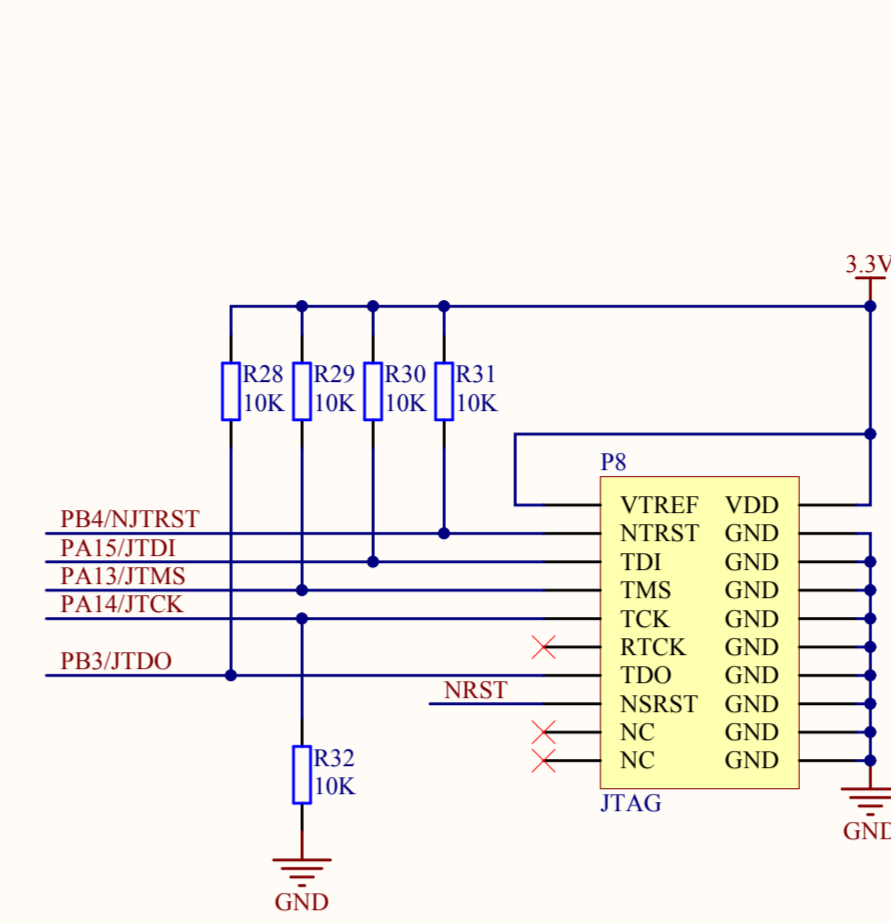
### Reset



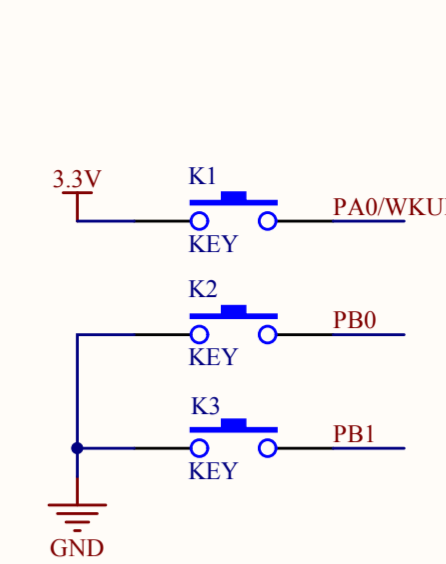
### Crystal oscillator



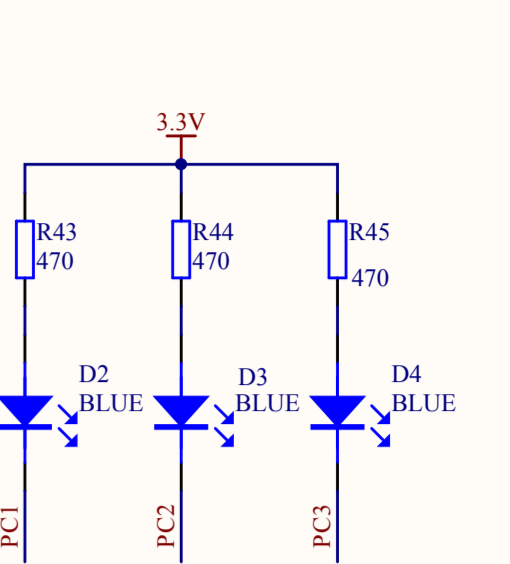
### JTAG/SWD



### KEY



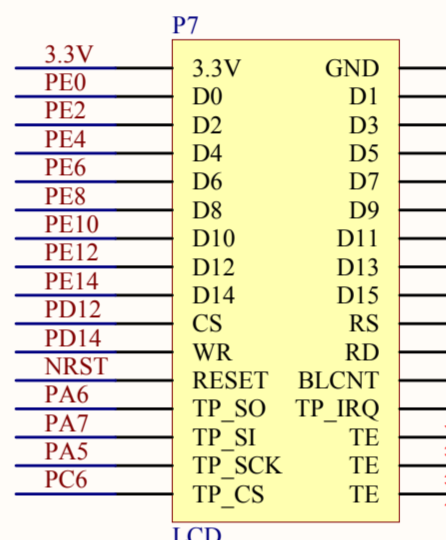
### LED



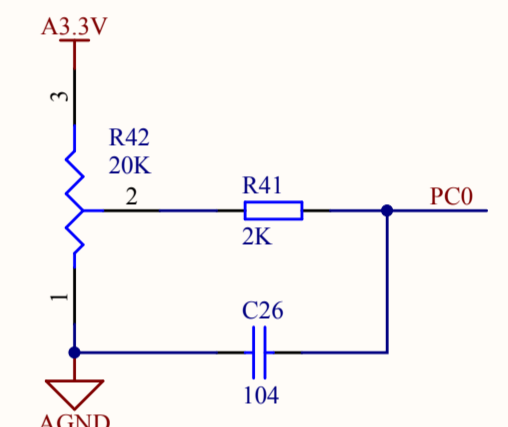
### STM32F103VET6

PA0/WKUP	23	PA0/WKUP/USART2_CTS/ADC123_IN0/TIM2_CH1_ETR/TIM5_CH1/TIM8_ETR	PC0	15	PC0
PA1	24	PA1/USART2_RTS/ADC123_IN1/TIM5_CH2/TIM2_CH2	PC1	16	PC1
PA2	25	PA2/USART2_TX/TIM5_CH3/ADC123_IN2/TIM9_CH1/TIM2_CH3	PC2	17	PC2
PA3	26	PA3/USART2_RX/TIM5_CH4/ADC123_IN3/TIM2_CH4/ETH_MII_COL	PC3	18	PC3
PA4	29	PA4/SPI1_NSS/USART2_CK/DAC_OUT1/ADC12_IN4	PC4	19	PC4
PA5	30	PA5/SPI1_SCK/DAC_OUT2/ADC12_IN5	PC5	20	PC5
PA6	31	PA6/SPI1_MISO/TIM8_BKIN/ADC12_IN6/TIM3_CH1/TIM13_CH1	PC6	21	PC6
PA7	32	PA7/SPI1_MOSI/TIM8_CHIN/ADC12_IN7/TIM3_CH2/TIM14_CH1	PC7	22	PC7
PA8	67	PA8/USART1_CK/TIM1_CH1/MCO	PC8	23	PC8
PA9	68	PA9/USART1_TX/TIM1_CH2	PC9	24	PC9
PA10	69	PA10/USART1_RX/TIM1_CH3	PC10	25	PC10
PA11	70	PA11/USART1_CTS/USBDMP/CAN_RX/TIM1_CH4	PC11	26	PC11
PA12	71	PA12/USART1_RTS/USBDMP/CAN_TX/TIM1_ETR	PC12	27	PC12
PA13/JTMS	72	JTMS/SWDIO->PA13	PC13	28	PC13
PA14/JTCK	76	JTCK/SWCLK->PA14	PC14	29	PC14
PA15/JTDO	77	JTDO/SPI3_NSS/USART2_WS->TIM2_CH1_ETR/PA15/SPI1_NSS	PC15	30	PC15
PB0	35	PB0/ADC12_IN8/TIM3_CH3/ETH_MII_RXD2->TIM1_CH2N	PD0	81	PD0
PB1	36	PB1/ADC12_IN9/TIM3_CH4/ETH_MII_RXD3->TIM1_CH3N	PD1	82	PD1
BOOT1	37	BOOT1	PD2	83	PD2
PB3/JTDO	89	PB3/JTDO	PD3	84	PD3
PB4/NTRST	90	JTDO/SPI3_SCK/I2S2_CK->PB3/TRACESWO/TIM2_CH2/SPI1_SCK	PD4	85	PD4
PB5	91	NTRST/SPI3_MISO->PB4/TIM3_MOSI/I2S3_SD	PD5	86	PD5
PB6	92	PB6/I2C1_SCL/TIM4_CH1	PD6	87	PD6
PB7	93	PB7/I2C1_SDA/TIM4_CH2->USART1_RX	PD7	88	PD7
PB8	95	PB8/TIM4_CH3/SDIO_D4	PD8	89	PD8
PB9	96	PB9/TIM4_CH4/SDIO_D5	PD9	90	PD9
PB10	47	PB10/I2C2_SCL/USART3_TX	PD10	91	PD10
PB11	48	PB11/I2C2_SDA/USART3_RX	PD11	92	PD11
PB12	51	PB12/SPI2_NSS/I2S2_WS/I2C2_SMB/USART3_CK/TIM1_BKIN/FSMC_A17->TIM4_CH1/USART3_RTS	PD12	93	PD12
PB13	52	PB13/SPI2_SCK/I2S2_CK/USART3_CTS/TIM1_CHIN	PD13	94	PD13
PB14	53	PB14/SPI2_MISO/TIM1_CH2N/USART3_RTS/TIM2_CH1	PD14	95	PD14
PB15	54	PB15/SPI2_MOSI/I2S2_SD/TIM1_CH3N/TIM2_CH2	PD15	96	PD15
NC	73	NC	PE0	97	PE0
OSC_IN	12	OSC_IN	PE1	98	PE1
OSC_OUT	13	OSC_OUT	PE2	99	PE2
BOOT0	94	BOOT0	PE3	100	PE3
NRST	14	NRST	PE4	101	PE4
VBAT	6	VBAT	PE5	102	PE5
VDD_1	50	VDD_1	PE6	103	PE6
VDD_2	75	VDD_2	PE7	104	PE7
VDD_3	100	VDD_3	PE8	105	PE8
VDD_4	28	VDD_4	PE9	106	PE9
VDD_5	111	VDD_5	PE10	107	PE10
VSS_1	49	VSS_1	PE11	108	PE11
VSS_2	74	VSS_2	PE12	109	PE12
VSS_3	99	VSS_3	PE13	110	PE13
VSS_4	27	VSS_4	PE14	111	PE14
VSS_5	10	VSS_5	PE15	112	PE15
VREF+	21	VREF+	PF0	113	PF0
VREF-	20	VREF-	PF1	114	PF1
VDDA	22	VDDA	PF2	115	PF2
VSSA	19	VSSA	PF3	116	PF3

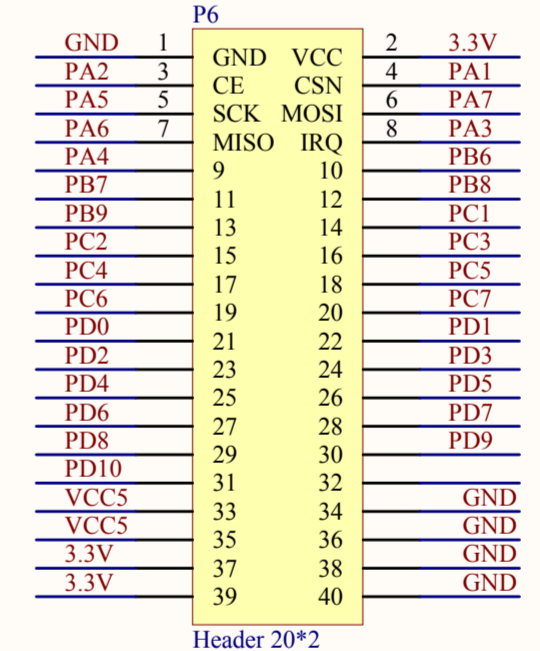
### LCD



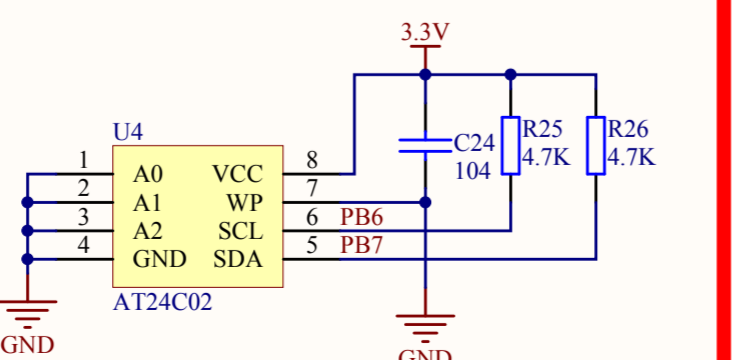
### AD sampling



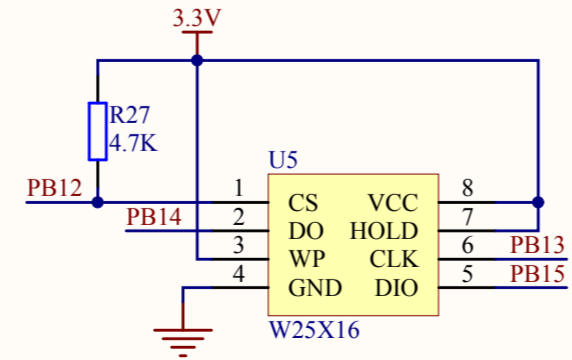
### NRF24L01&IO



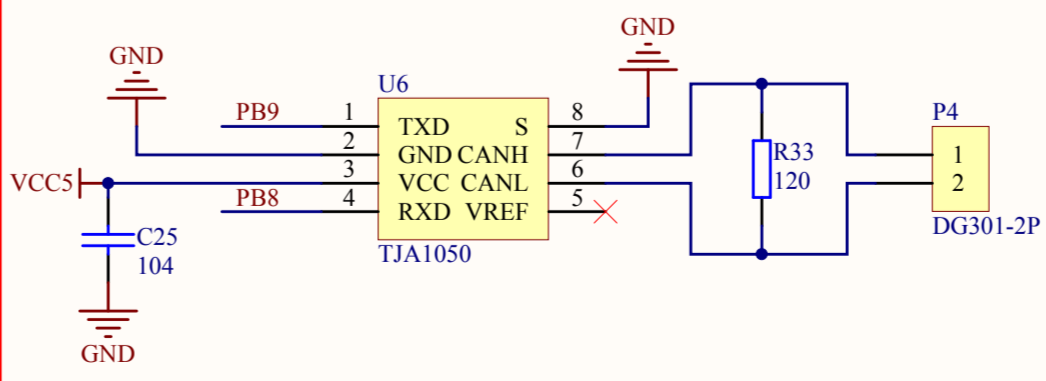
### EEPROM



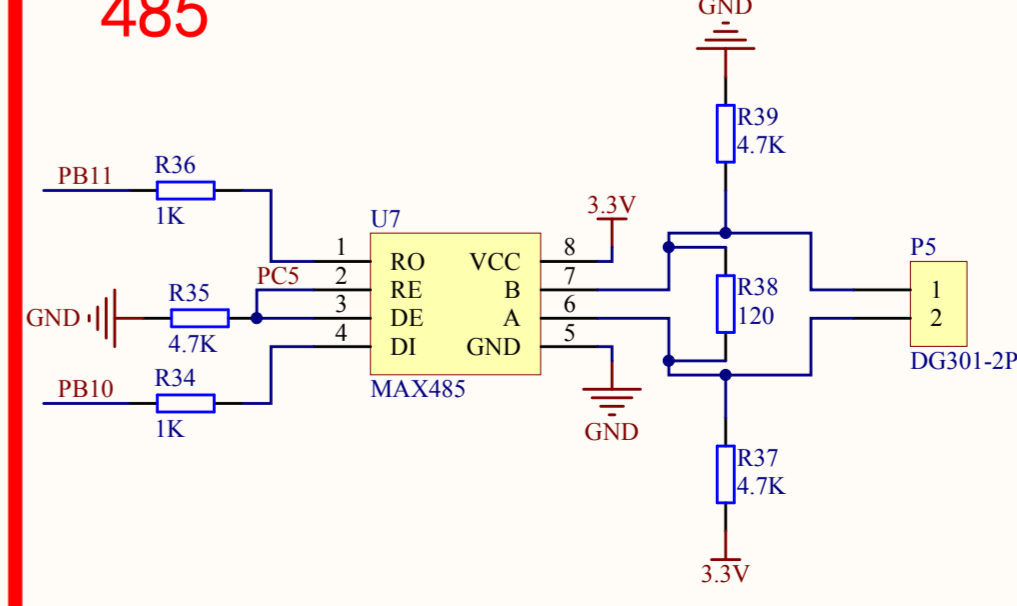
### Serial Flash



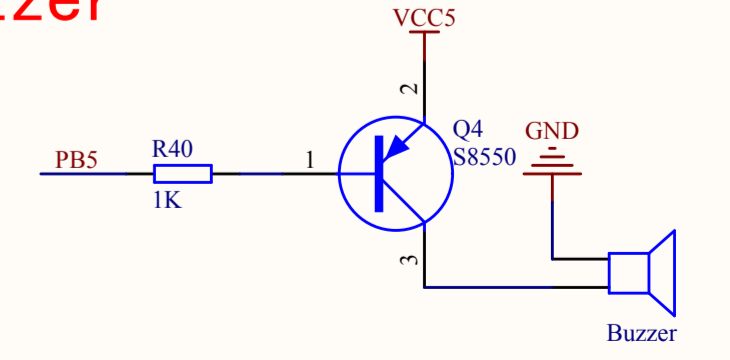
### CAN



### 485



### buzzer



Title			Revision
Size	A2	Number	
Date	2013/10/11	Sheet of	
File	C:\Users\STM32\SCHDOC	Drawn By	