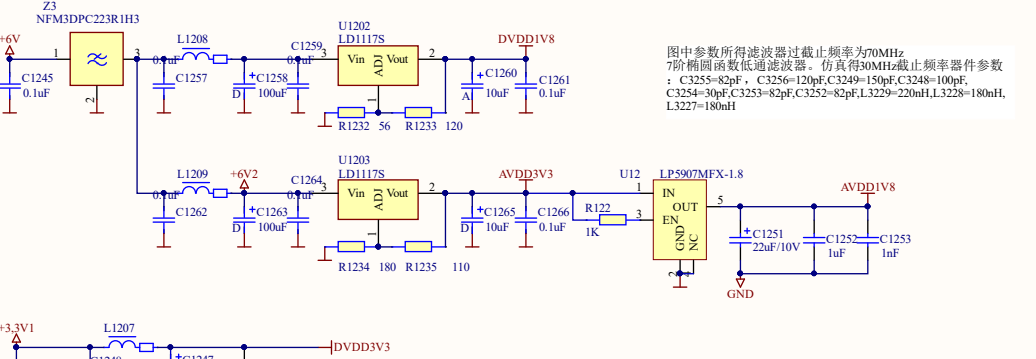
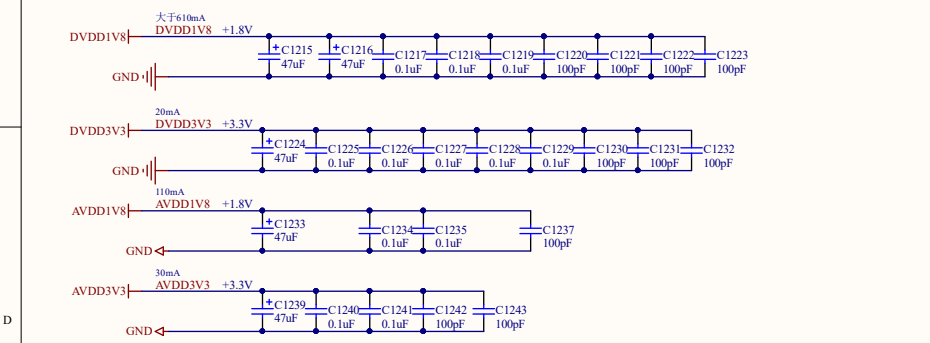
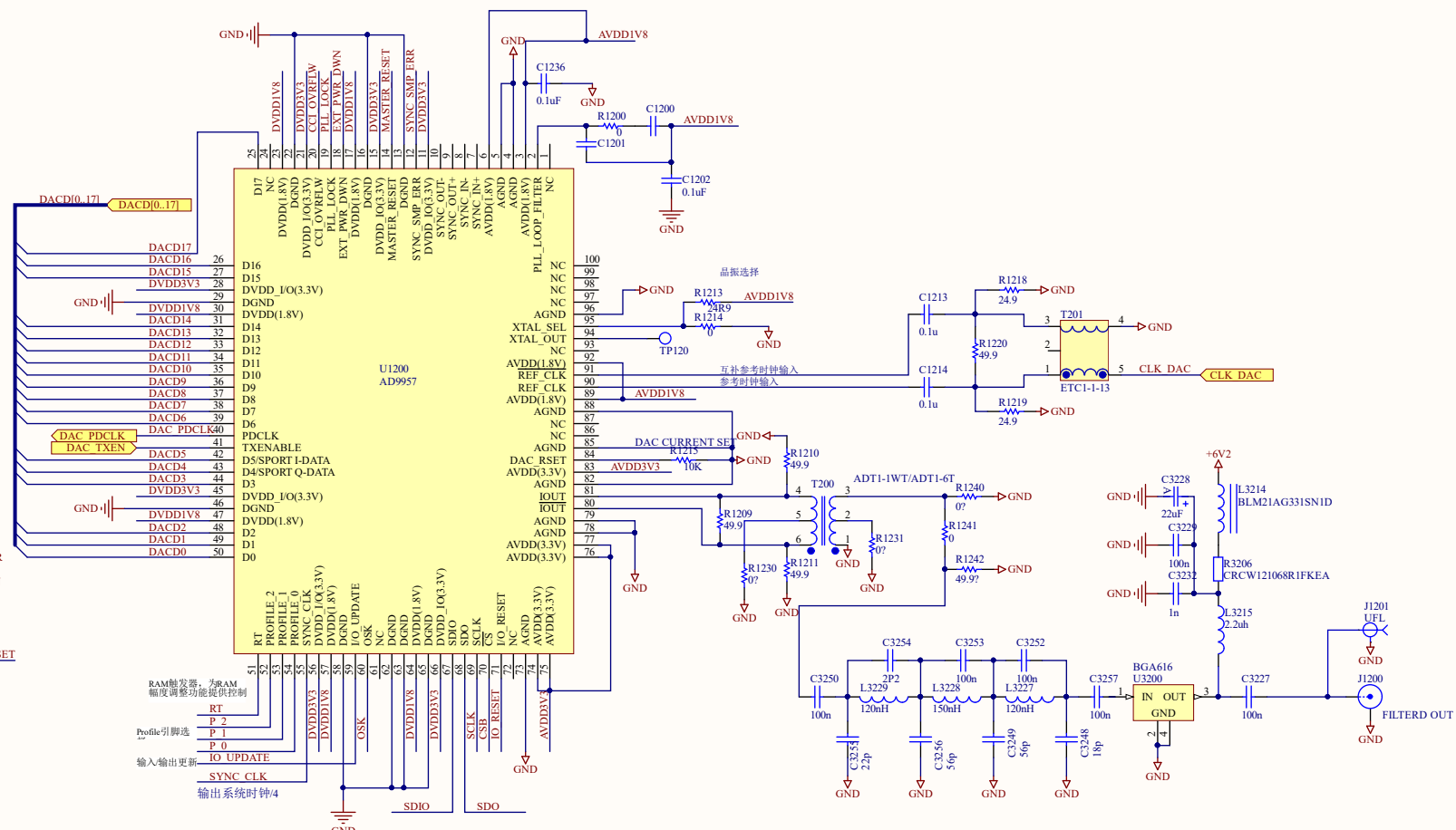


DAC IORESET	DAC IORESET	R1203	IO RESET
SEN2	SEN2	R1204	CSB
MISO2	MISO2	R1205	SDO
MOSI2	MOSI2	R1206	SDIO
SCLK2	SCLK2	R1207	SCLK
IO L49N	IO L49N	R1208	RT
IO L49P	IO L49P	R1221	P 2
IO L57N	IO L57N	R1222	P 1
IO L57P	IO L57P	R1223	P 0
IO L58P	IO L58P	R1224	IO UPDATE
IO L64N	IO L64N	R1225	OSK
DAC SYNC CLK	DAC SYNC	R1226	SYNC CLK
IO L45N	IO L45N	R1228	CCI OVRFLW
IO L48P	IO L48P	R1202	SYNC SMP_ERR
DA EXT PDWN	DA EXT PDWN	R1227	EXT_PWR_DWN
DA PLL LOCK	DA PLL LOCK	R1201	PLL_LOCK
DAC RESET	DAC RESET	R1226	MASTER_RESET



图中参数所得滤波器截止频率为70MHz
7阶椭圆函数低通滤波器。仿真得30MHz截止频率器件参数
: C3255=82pF, C3256=120pF, C3249=150pF, C3248=100pF,
C3254=30pF, C3253=82pF, C3252=82pF, L3229=220nH, L3228=180nH,
L3227=180nH

Title		
Size	Number	Revision
A3		
Date:	1/18/2016	Sheet of
File:	F:\PCB\DAC_AD9957.SchDoc	Drawn By: