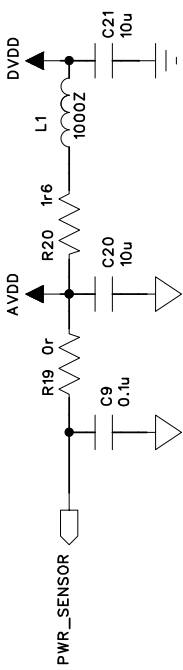
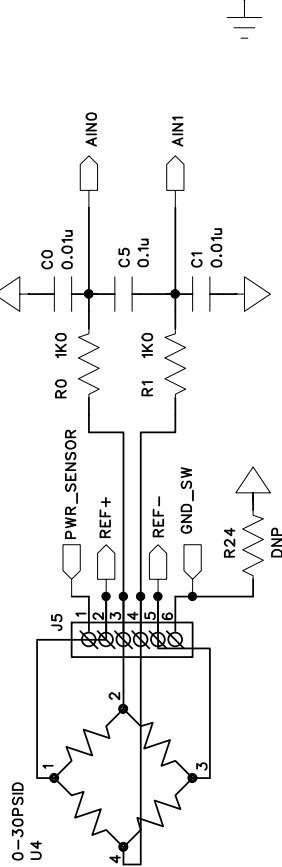


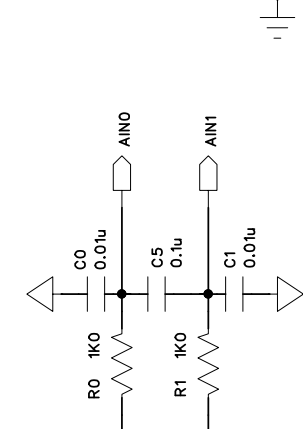
AVDD FILTER



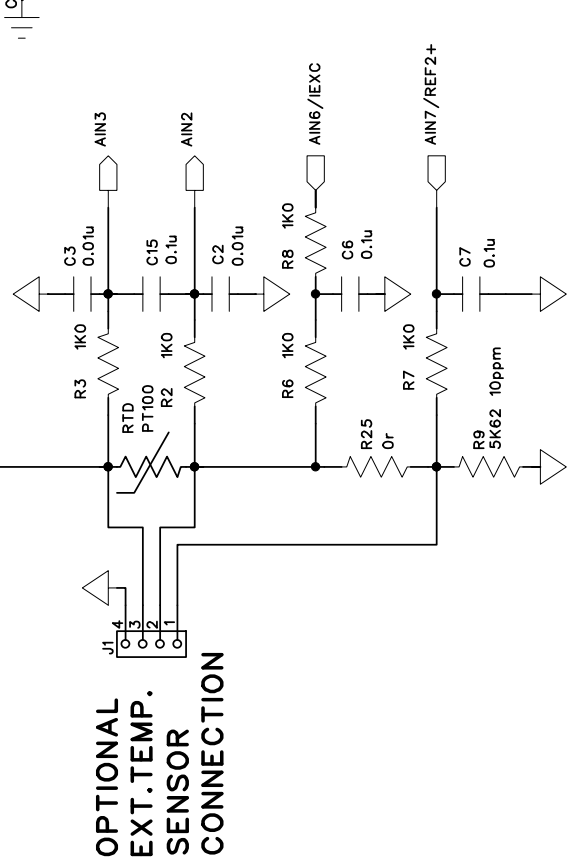
PRIMARY SENSOR CONNECTION



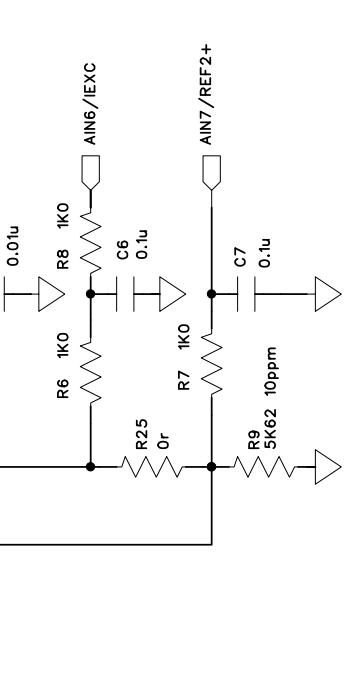
AIN FILTERS



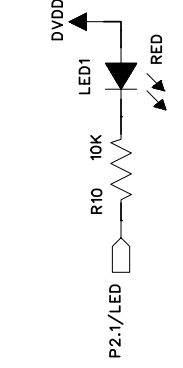
TEMPERATURE SENSOR



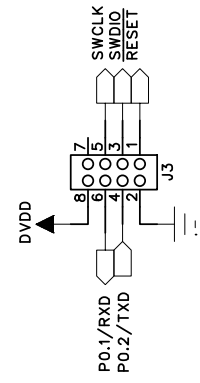
OPTIONAL EXT. TEMP. SENSOR CONNECTION



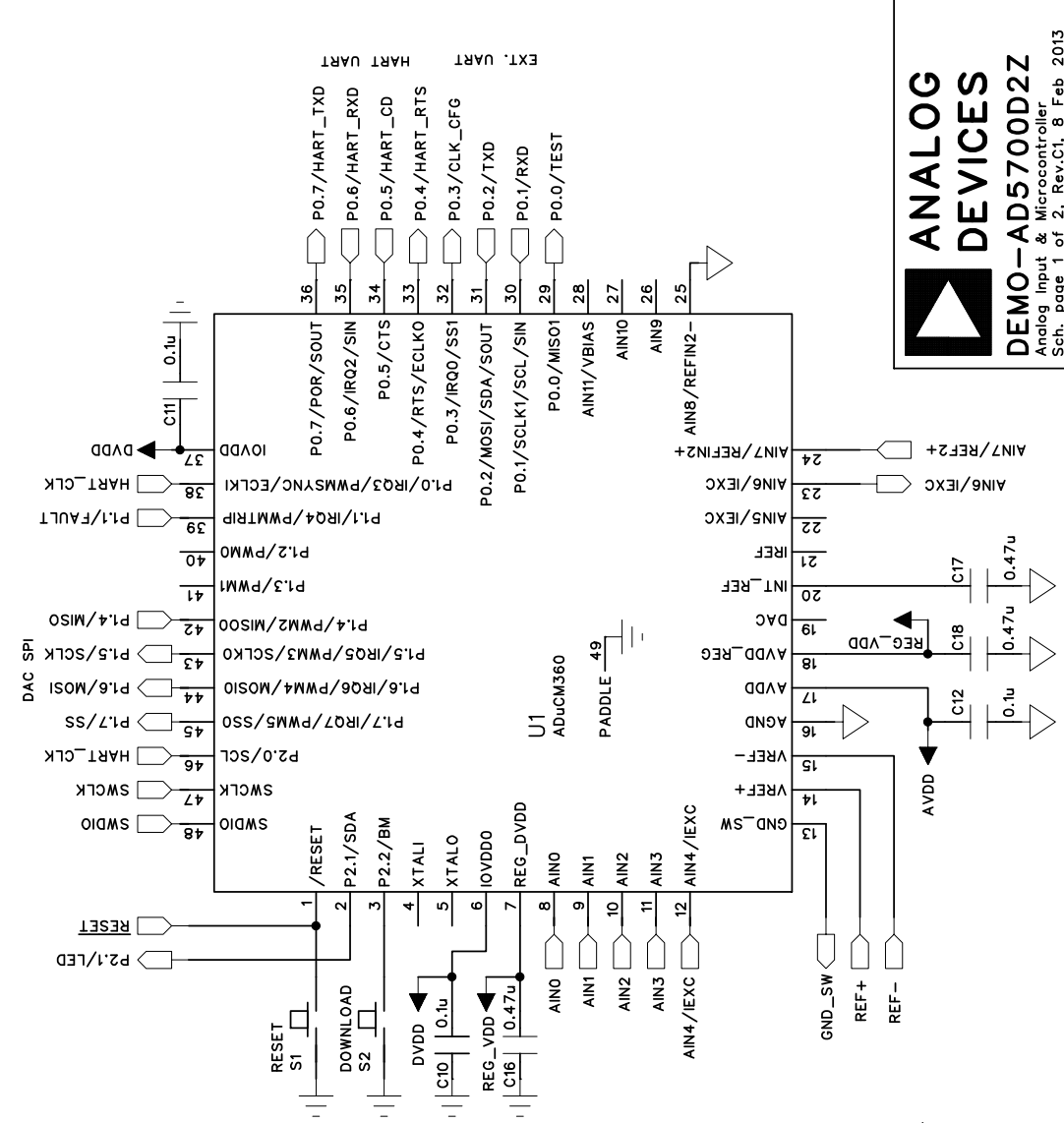
LED INDICATOR



EXT. INTERFACE CONNECTION

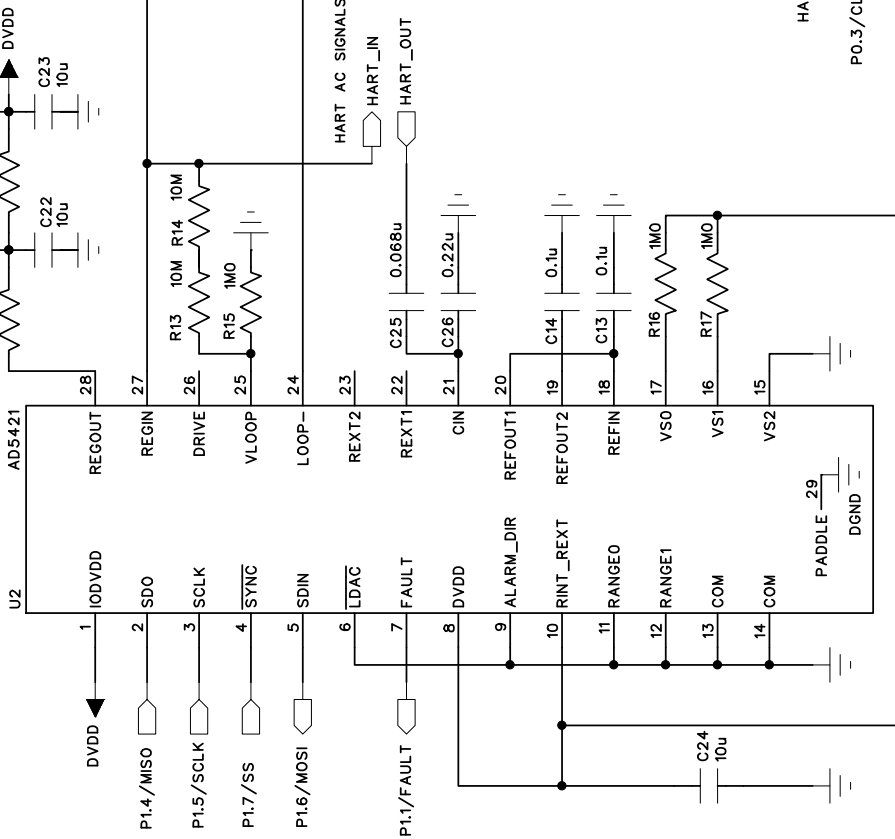


PRECISION MICROCONTROLLER



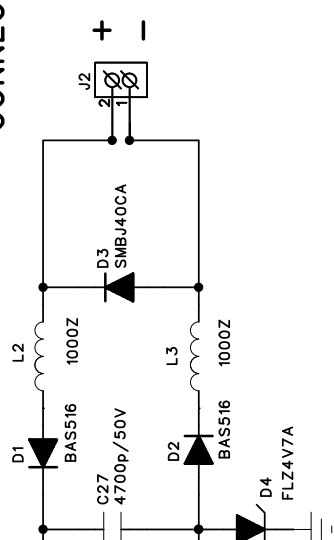
ANALOG DEVICES
DEMO-AD5700D2Z
 Analog Input & Microcontroller
 Sch. page 1 of 2, Rev.C1, 8 Feb 2013

4-20mA LOOP DAC POWER FROM LOOP

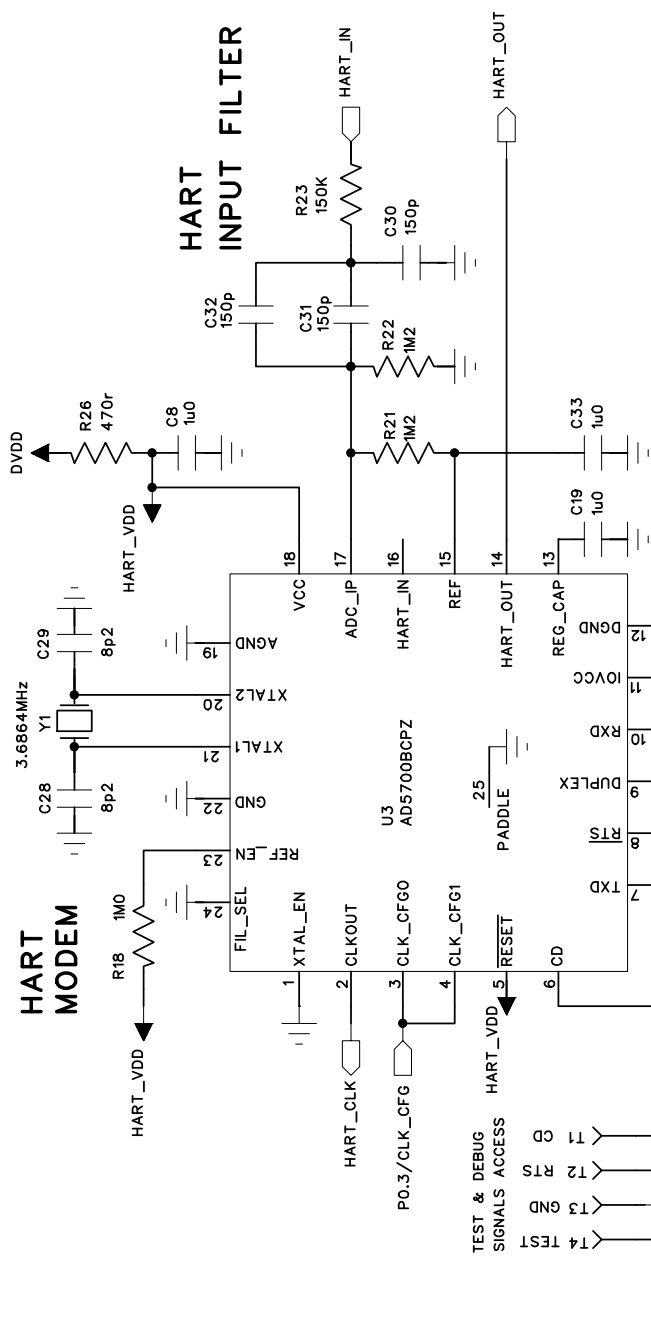


PROTECTION

4-20mA LOOP CONNECTION



HART MODEM



HART INPUT FILTER

