

A

A

B

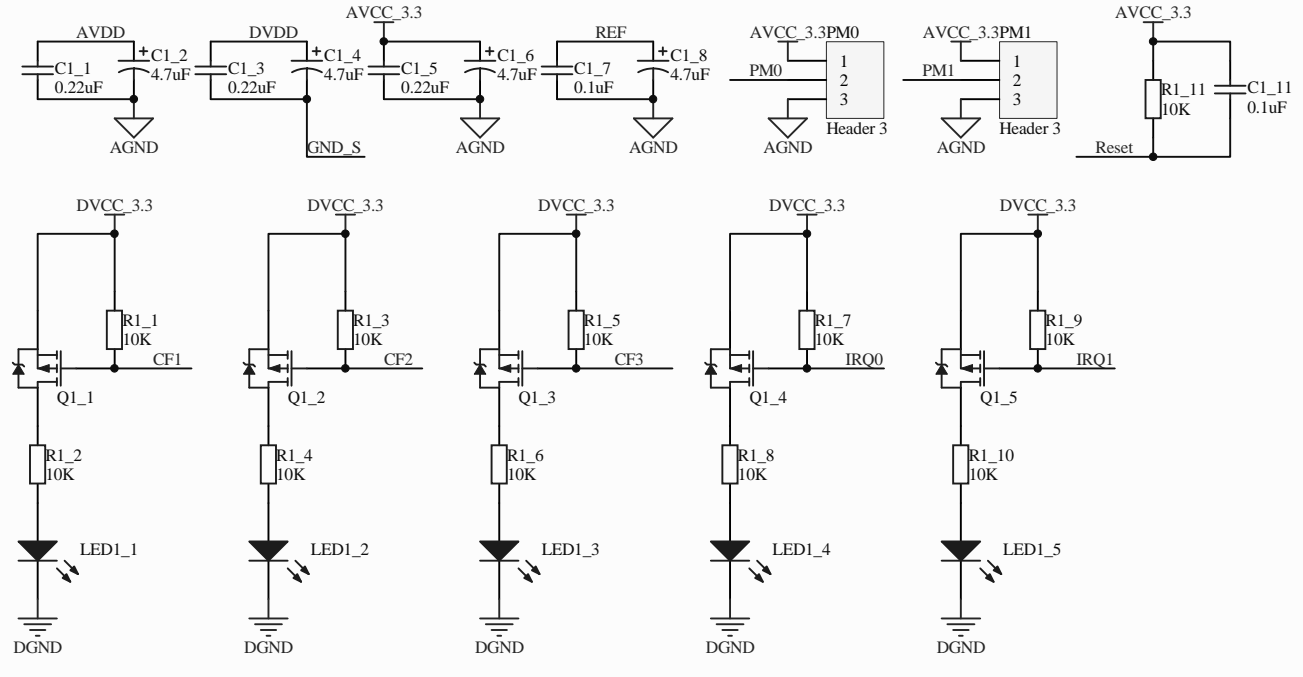
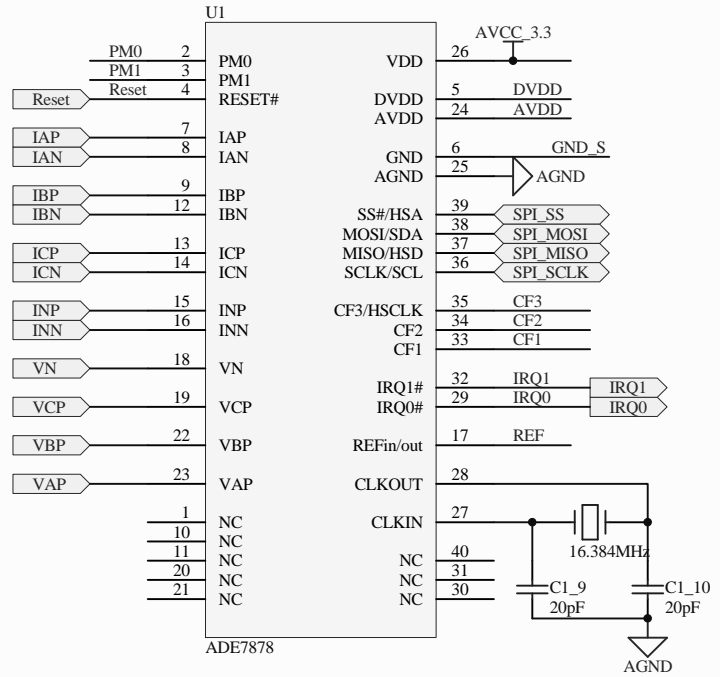
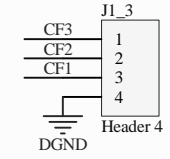
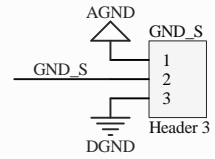
B

C

C

D

D



Title		
Size	Number	Revision
A4		
Date:	2013-05-05	Sheet of
File:	D:\Workspace\...\measure_circuit.SchDoc	Drawn By: