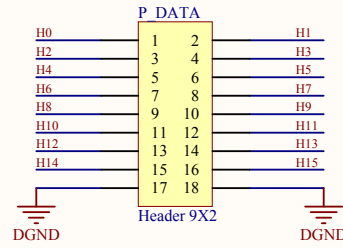
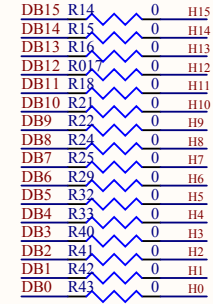
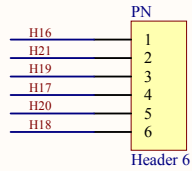
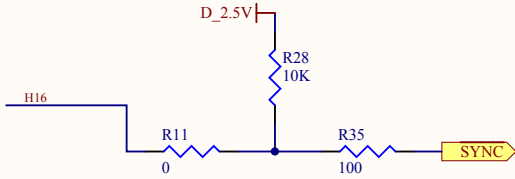
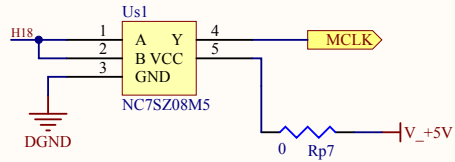
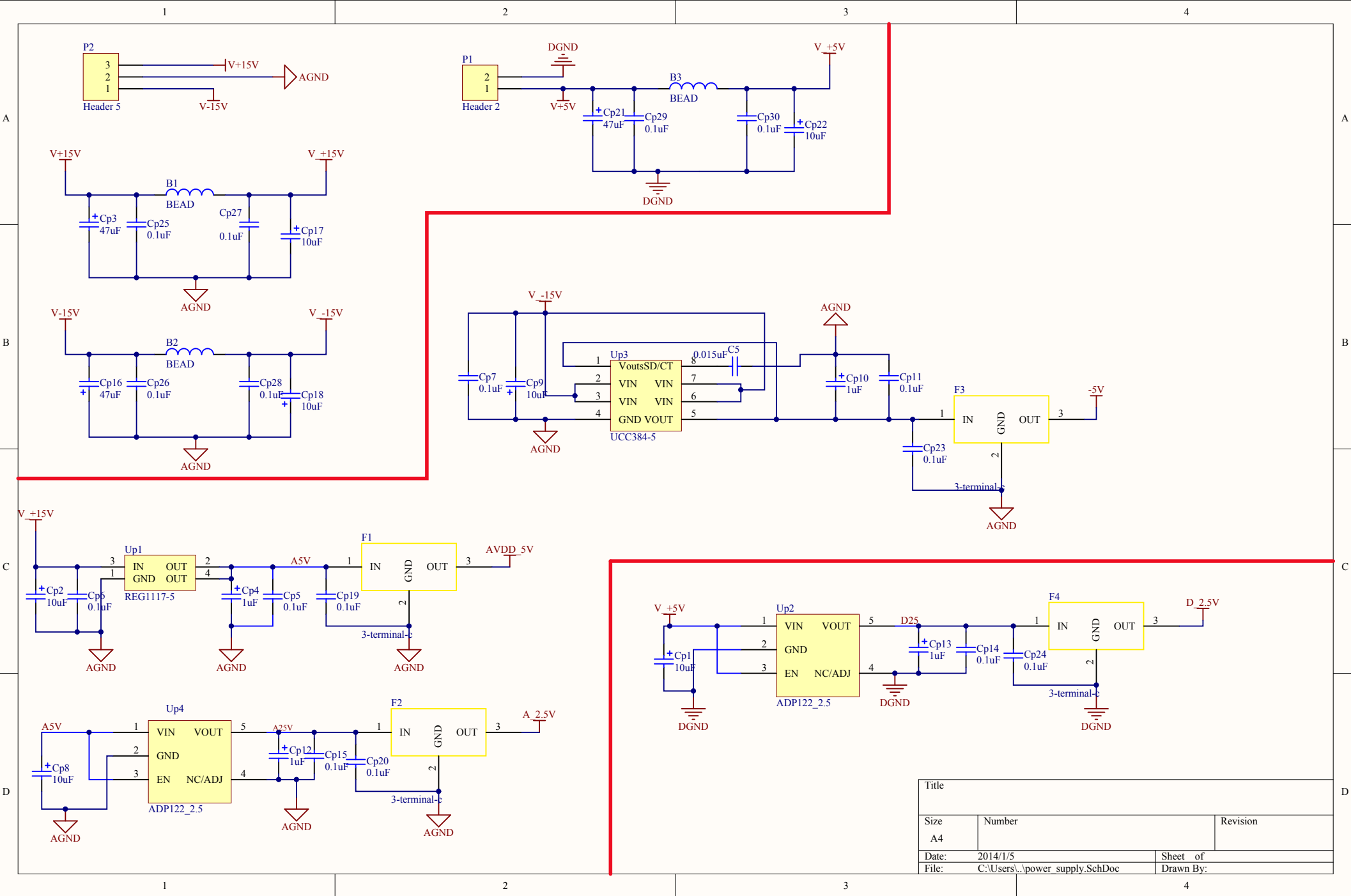


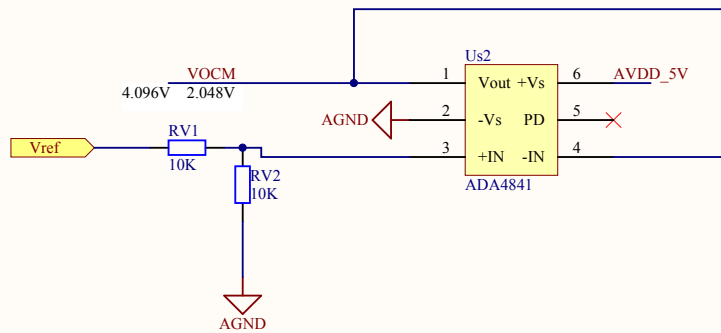
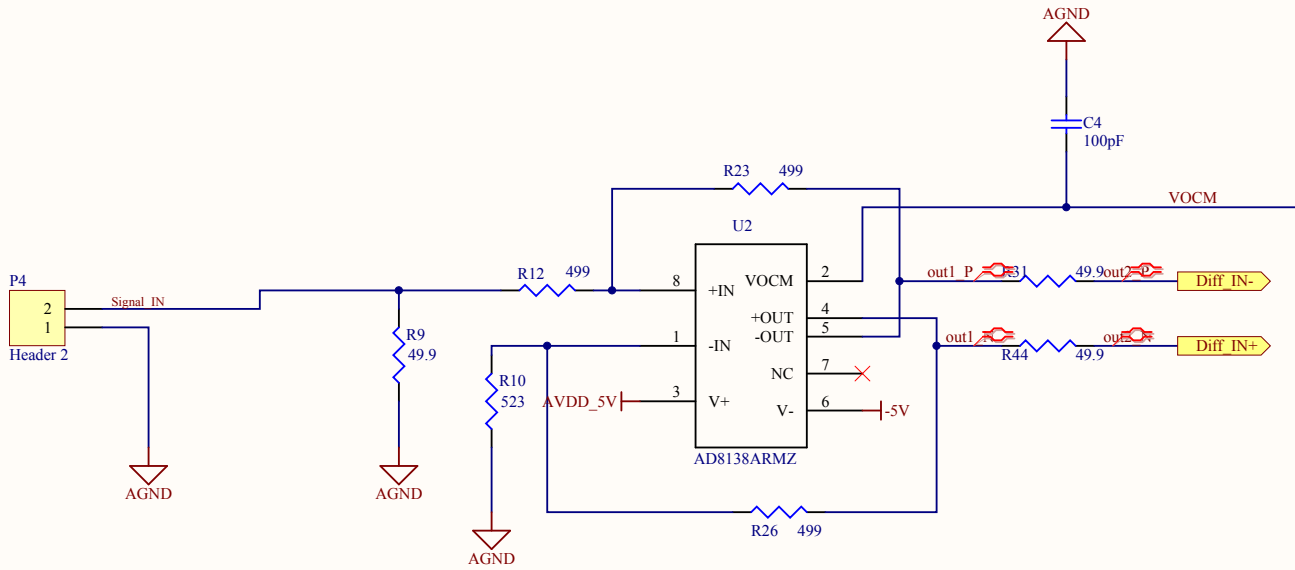
Title		
Size	Number	Revision
A4		
Date:	2014/1/5	Sheet of
File:	C:\Users\...\AD7762.SchDoc	Drawn By:



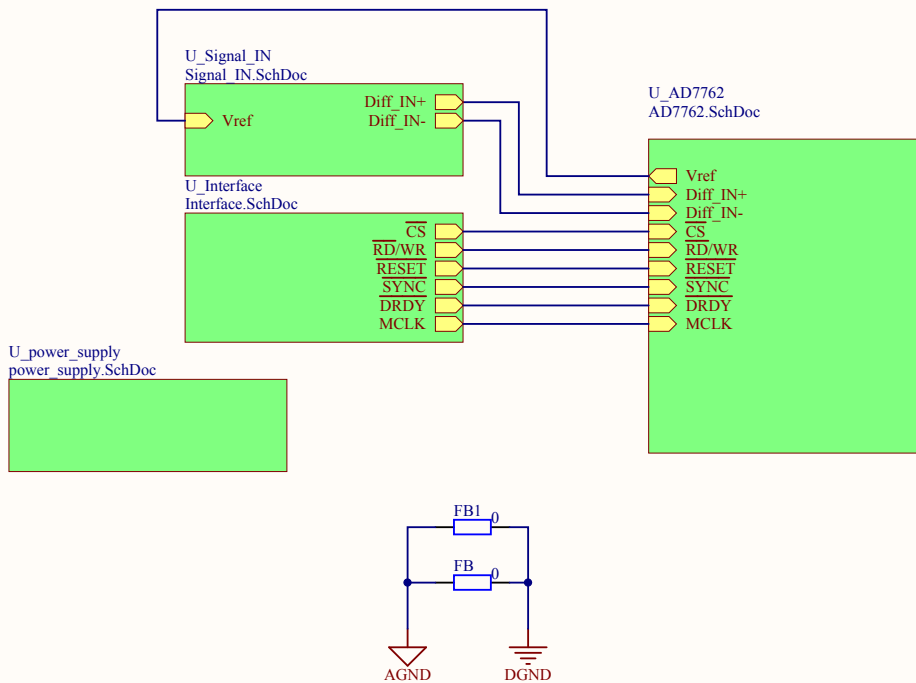
Title		
Size A4	Number	Revision
Date:	2014/1/5	Sheet of
File:	C:\Users\...\Interface.SchDoc	Drawn By:



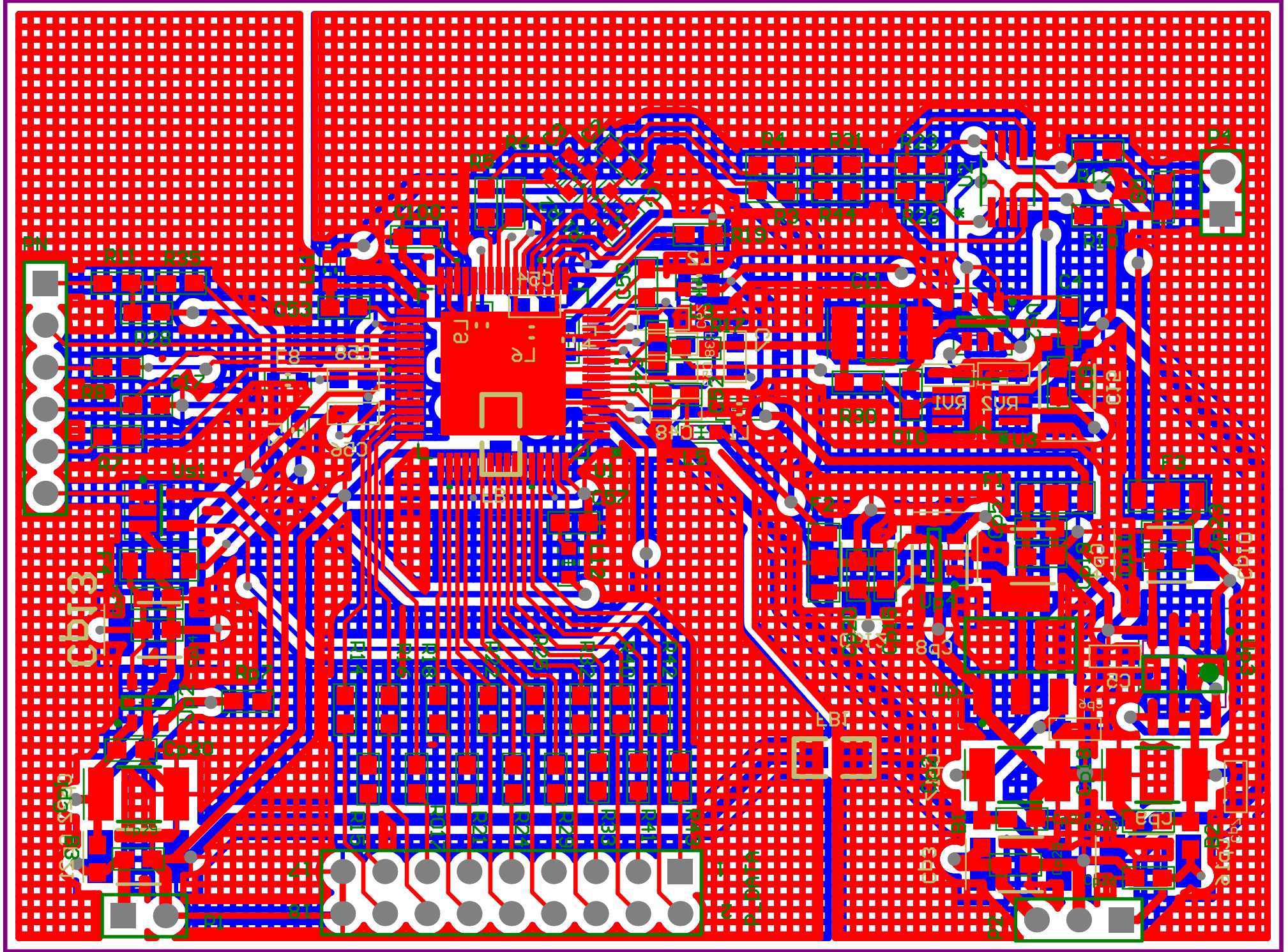
Title		
Size	Number	Revision
A4		
Date:	2014/1/5	Sheet of
File:	C:\Users\...\power_supply.SchDoc	Drawn By:



Title		
Size	Number	Revision
A4		
Date:	2014/1/5	Sheet of
File:	C:\Users\...\Signal_IN.SchDoc	Drawn By:



Title		
Size A4	Number	Revision
Date:	2014/1/5	Sheet of
File:	C:\Users\...\TOP.SchDoc	Drawn By:



Comment	Description	Designator	Footprint	LibRef	Quantity
BEAD	Inductor	B1, B2, B3	1608[0603]	Inductor	3
Cap	Capacitor	C1, C2, C3, C4, C5, C7, C9, C10, C17, C46, C48, C50, C52, C53, C54, C56, C57, C58, C59, C62, C100, Cp5, Cp6, Cp7, Cp11, Cp14, Cp15, Cp19, Cp20, Cp23, Cp24, Cp25, Cp26, Cp27, Cp28, Cp29, Cp30	R0603	Cap	37
Cap Pol2	Polarized Capacitor (Axial)	C11, C15, Cp1, Cp2, Cp3, Cp4, Cp8, Cp9, Cp10, Cp12, Cp13, Cp16, Cp17, Cp18, Cp21, Cp22	C6032	Cap Pol2	16
3-terminal-c		F1, F2, F3, F4	EMC_Filter	Component_2	4
Res2	Resistor	FB, FB1	R0805	Res2	2
Inductor	Inductor	L1, L2, L3, L4, L5, L6, L7, L8, L9, L11, L12	C0603	Inductor	11
Header 2	Header, 2-Pin	P1, P4	HDR1X2	Header 2	2
Header 5	Header, 3-Pin	P2	HDR1X3	Header 3	1
Header 6	Header, 6-Pin	PN	HDR1X6	Header 6	1
Header 9X2	Header, 9-Pin, Dual row	P_DATA	HDR2X9	Header 9X2	1
Res3	Resistor	R1, R2, R3, R4, R5, R6, R7, R8, R9, R10, R11, R12, R14, R15, R16, R017, R17, R18, R19, R21, R22, R23, R24, R25, R26, R28, R29, R30, R31, R32, R33, R35, R38, R40, R41, R42, R43, R44, Rp7	R0603	Res3	39
Res2	Resistor	RV1, RV2	R0603	Res2	2
AD7762BSVZ	Imported	U1	SV_64_4	AD7762BSVZ	1
AD8138ARMZ	Imported	U2	RM_8	AD8138ARMZ	1
ADR434ARMZ	Imported	U3	RM_8	ADR434ARMZ	1
REG1117-5	800mA and 1A Low Dropout Positive Regulator 2.85V, 3.3V, 5V, and Adjustable	Up1	SOT223 - duplicate	REG1117-3.3	1
ADP122_2.5		Up2, Up4	SOT95P295X110-5N	ADP122_3	2
UCC384-5		Up3	UCC384-5	UCC384-5	1
NC7SZ08M5		Us1	SOT95P280X145-5N_XX	Component_1	1
ADA4841		Us2	ADA4841_6	ADA4841	1