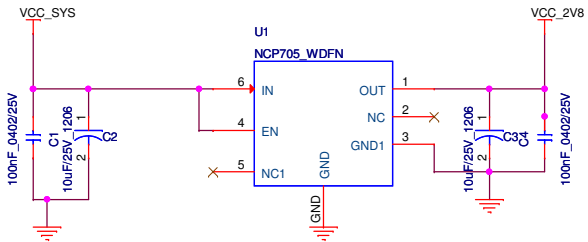
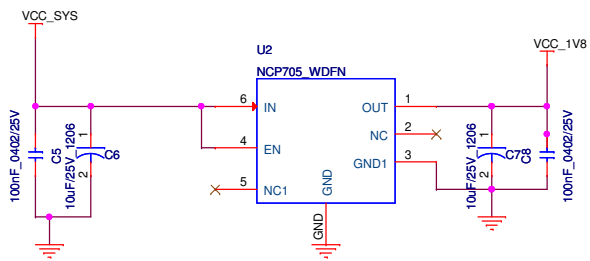


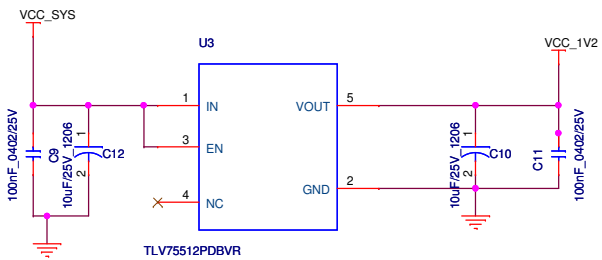
2.8V LDO



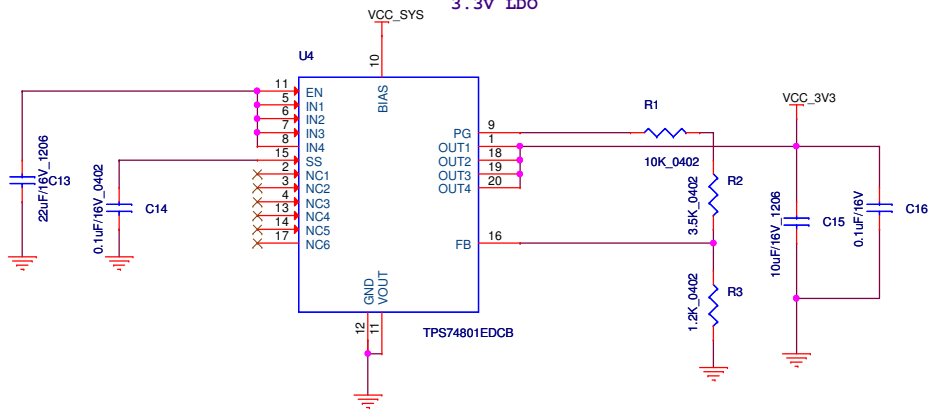
1.8V LDO



1.2V LDO



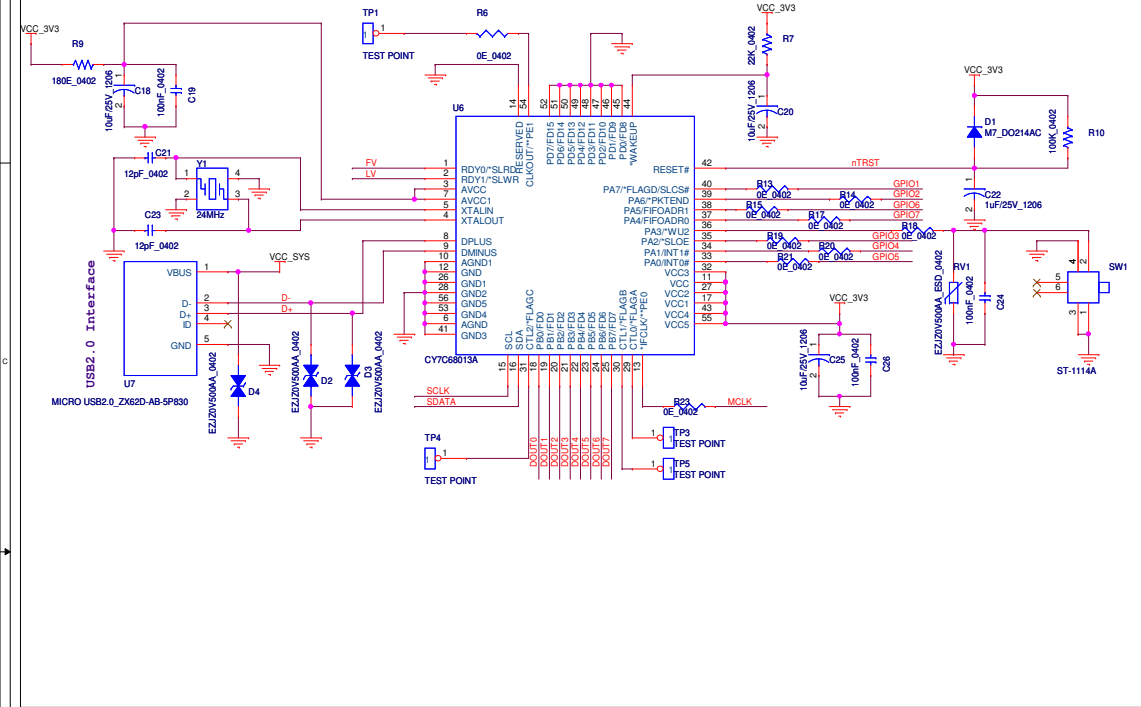
3.3V LDO



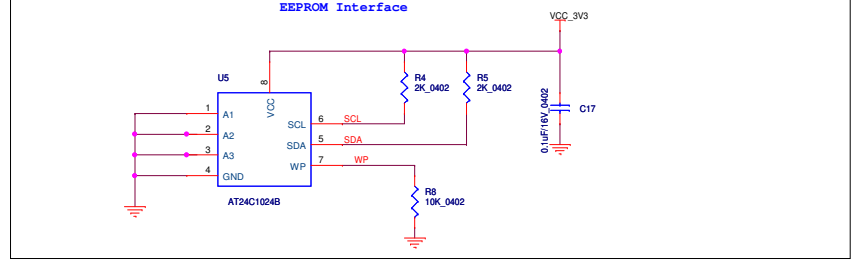
OAS-IKS100	
Title	PMIC
Size	Document Number
B	<Doc>
Date:	Wednesday, June 27, 2018
Sheet	1 of 3

Rev <RevCod>

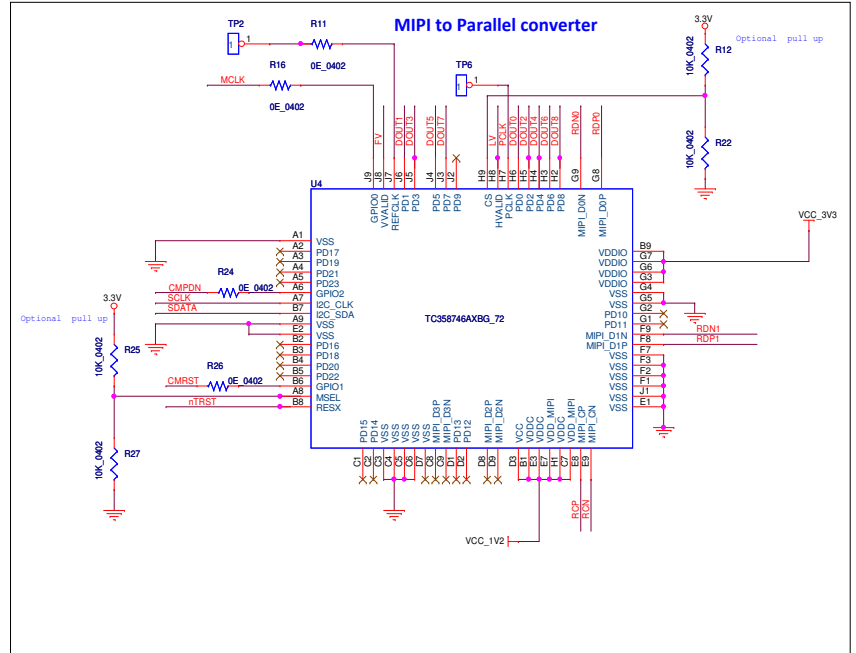
USB controller Interface



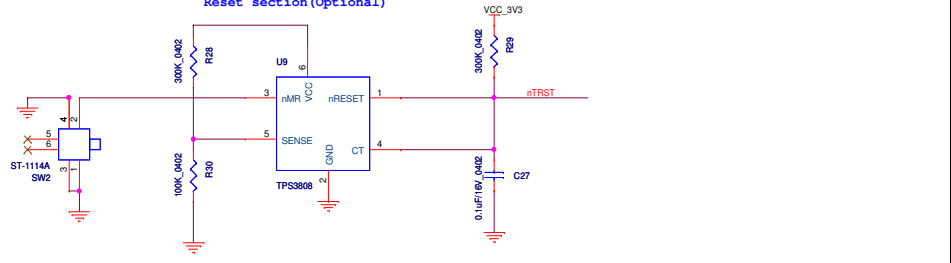
EEPROM Interface

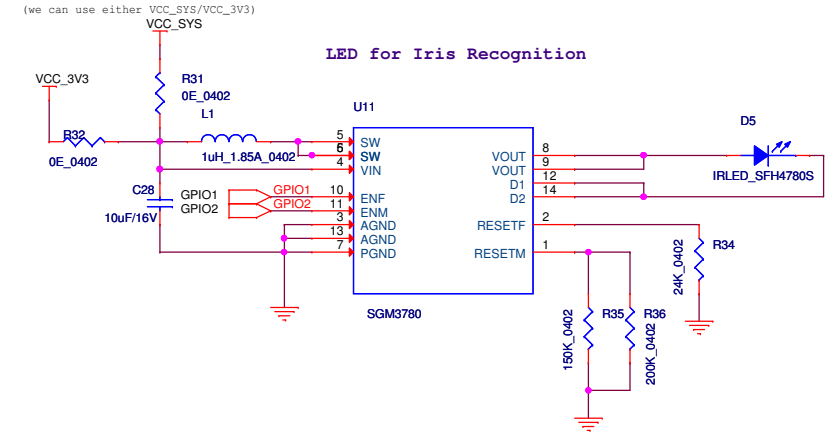
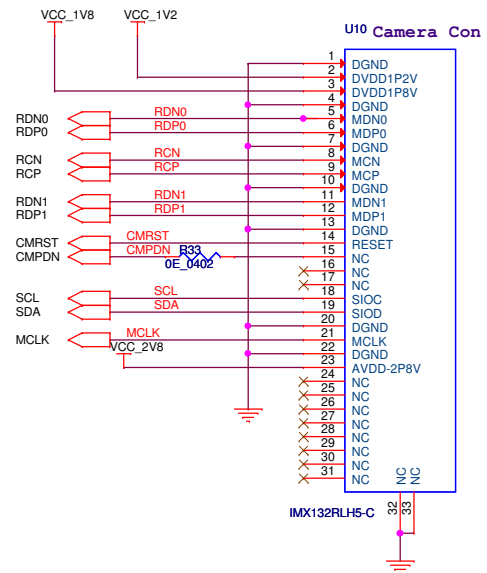


MIPI to Parallel converter

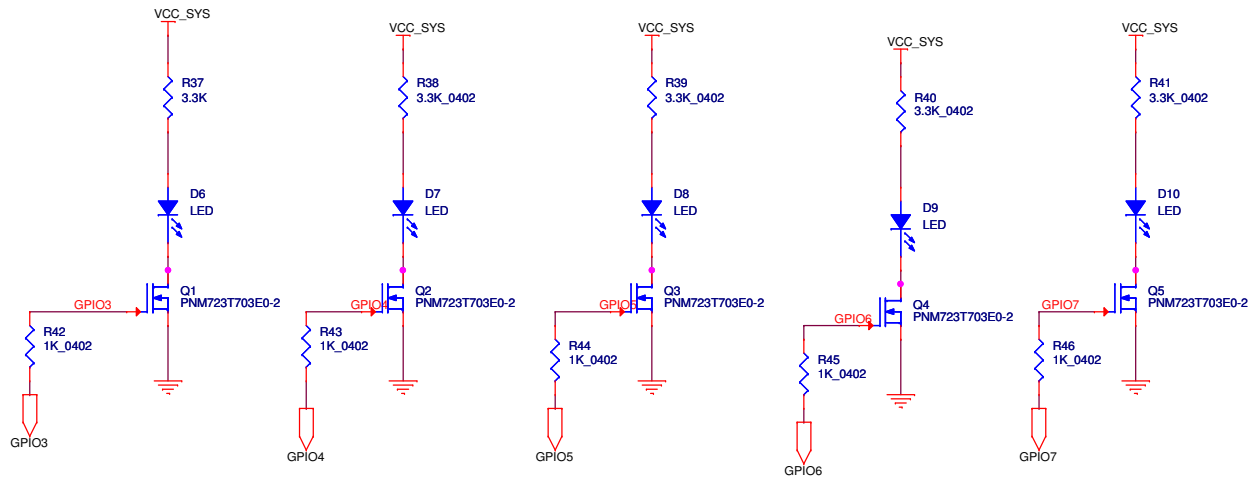


Reset section (Optional)





LED Indicators



OAS-IKS100		
Title		
Camera and led indicators		
Size	Document Number	Rev
B	<Doc>	<RevCod
Date:	Wednesday, June 27, 2018	Sheet 3 of 3