

# DESIGN NOTES

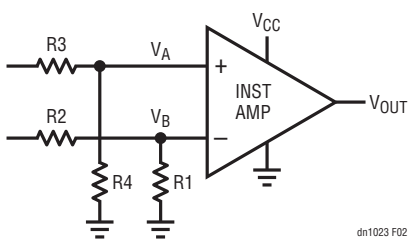
## Precision Matched Resistors Automatically Improve Differential Amplifier CMRR – Here’s How

Design Note 1023

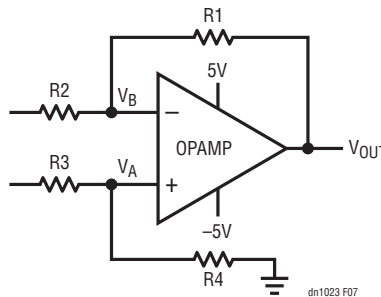
Kris Lokere, Tyler Hutchison, Greg Zimmer

### INTRODUCTION

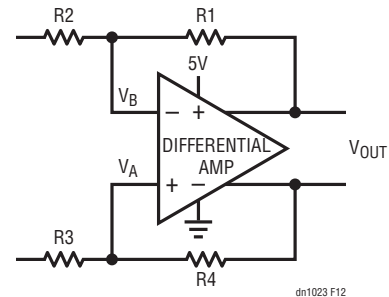
Matched resistors are critical to the performance of a large class of differential circuits such as the following:



Instrumentation Amp



Difference Amp



Differential Amp

Ideally, the resistors in these circuits are chosen such that  $R1/R2 = R4/R3$ . Any mismatch between these ratios will contribute a common mode error. The CMRR (common mode rejection ratio) is an important metric in these circuits, as it indicates how much of the unwanted common mode signal will appear in the output. The CMRR due to the resistors in these circuits can be calculated using the following formula:

$$CMRR_{R\_ONLY} \approx \left(\frac{1}{2}\right)(G+1) \frac{\Delta R/R}{\Delta R/R}$$

Where  $CMRR_{R\_ONLY}$  is CMRR Due Only to the Resistors (Ideal Amplifier Case),  $\Delta R/R$  is the Resistor Matching Ratio,  $G$  is the Nominal Ratio of  $R1/R2$ .

For example, using resistors with 1% tolerance (i.e. matched to 2%) in a differential circuit with  $G = 1$ , the CMRR will only be 34dB.

### LT5400 $\Delta R/R_{CMRR}$

In addition to the guaranteed resistor-to-resistor matching over temperature, the LT5400 includes a new metric called “Matching for CMRR.” *Only the LT5400 offers a Matching for CMRR,  $(\Delta R/R)_{CMRR}$  specification.* This spec guarantees the contribution of CMRR error due to the resistors, when the LT5400 is used in a difference configuration using the specific resistor pairs of  $R1/R2$  and  $R4/R3$ .

The definition of Matching for CMRR is the following:

$$\Delta R/R_{CMRR} = \left(\frac{1}{2}\right) \left(\frac{R1}{R2}\right) \left(\frac{R2}{R1} - \frac{R3}{R4}\right) = \left(\frac{1}{2}\right) \left(1 - \frac{R1R3}{R2R4}\right)$$

LT, LT, LTC, LTM, Linear Technology and the Linear logo are registered trademarks of Linear Technology Corporation. All other trademarks are the property of their respective owners.

Calculating the improved CMRR performance of the LT5400 resistors is easy. Simply replace the resistor matching ratio,  $(\Delta R/R)$  with the Matching for CMRR specification  $(\Delta R/R_{CMRR})$ :

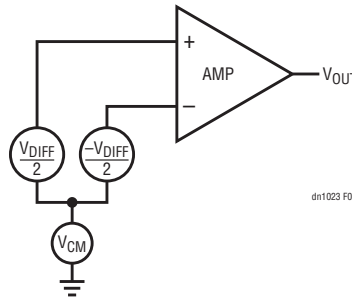
$$CMRR_{R\_ONLY} \approx \frac{\left(\frac{1}{2}\right)(G+1)}{\Delta R/R_{CMRR}}$$

**Equation 1**  
Where  $\Delta R/R_{CMRR}$  Is the Matching for CMRR specification

For example, the LT5400A offers 0.01% resistor matching and Matching for CMRR of 0.005%. With this Matching for CMRR, the resulting CMRR is 86dB.

### CMRR DEFINITION

The amplifier's common mode rejection ratio (CMRR) is the ratio of the differential mode gain to the common mode gain. For these calculations, only common mode and differential mode gain is considered for amplifiers. Thus, an amplifier's output can be determined as:  $V_{OUT} = (V_{CM} \cdot A_{CM}) + (V_{DIFF} \cdot A_{DIFF})$



### COMBINING AMPLIFIER AND RESISTOR CMRR

In addition to the CMRR due to the resistors, one must also consider the finite CMRR contribution due to the amplifier. The total CMRR of any of the differential circuits shown above can be calculated using the following formula:

$$CMRR_{TOTAL} \approx \frac{\left(\frac{1}{2}\right)(G+1)}{\left(\frac{1}{CMRR_{amp}}\right)\left(\frac{1}{2}\right)(G+1) + \Delta R/R_{CMRR}}$$

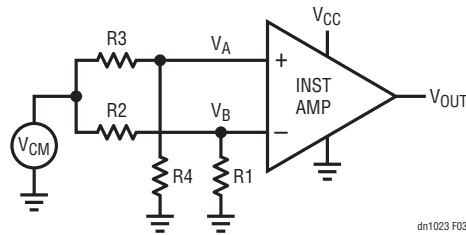
**Equation 2**  
Where  $CMRR_{amp}$  Is the Amplifier's CMRR Specification, and  $CMRR_{TOTAL}$  Is the Combined CMRR Due to the Resistors and Amplifier.

### CMRR CALCULATION

The rest of this design note provides the derivation of CMRR for each differential circuit shown above. The results will show that CMRR can be calculated using Equation 1 and Equation 2 for all three circuits. Examples of calculating  $CMRR_{TOTAL}$  (resistor and amplifier) are also provided at the end of each section.

## CASE 1: IDEAL INSTRUMENTATION AMP (CMRR<sub>amp</sub> IS INFINITE)

### CMRR Derivation, Step 1: Calculate the Circuit's Common Mode Gain (A<sub>CM</sub>)



$$V_A = V_{CM} \left( \frac{R4}{R3+R4} \right)$$

$$V_B = V_{CM} \left( \frac{R1}{R1+R2} \right)$$

$$V_{OUT} = (V_A - V_B) \cdot G_{amp}$$

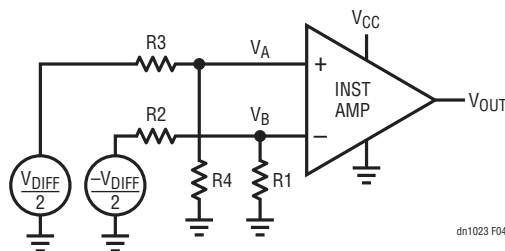
Ideal Instrumentation Amplifier,  $G_{amp} = \text{Amplifier Gain}$

$$V_{OUT} = \left[ V_{CM} \left( \frac{R4}{R3+R4} \right) - V_{CM} \left( \frac{R1}{R1+R2} \right) \right] G_{amp}$$

$$V_{OUT} = V_{CM} G_{amp} \left[ \left( \frac{R4}{R3+R4} \right) - \left( \frac{R1}{R1+R2} \right) \right]$$

$$\boxed{\frac{V_{OUT}}{V_{CM}} = G_{amp} \left( \frac{R4}{R3+R4} - \frac{R1}{R1+R2} \right)}$$

### CMRR Derivation, Step 2: Calculate the Circuit's Differential Mode Gain (A<sub>DIFF</sub>)



$$V_A = \frac{V_{DIFF}}{2} \left( \frac{R4}{R3+R4} \right)$$

$$V_B = -\frac{V_{DIFF}}{2} \left( \frac{R1}{R1+R2} \right)$$

$$V_{OUT} = (V_A - V_B) \cdot G_{amp}$$

Ideal Instrumentation Amplifier,  $G_{amp} = \text{Amplifier Gain}$

$$V_{OUT} = \left[ \left( \frac{V_{DIFF}}{2} \right) \left( \frac{R4}{R3+R4} \right) - \left( -\frac{V_{DIFF}}{2} \right) \left( \frac{R1}{R1+R2} \right) \right] G_{amp}$$

$$V_{OUT} = V_{DIFF} G_{amp} \left( \frac{1}{2} \right) \left( \frac{R4}{R3+R4} + \frac{R1}{R1+R2} \right)$$

$$\boxed{\frac{V_{OUT}}{V_{DIFF}} = G_{amp} \left( \frac{1}{2} \right) \left( \frac{R1}{R1+R2} + \frac{R4}{R3+R4} \right)}$$

**CMRR Derivation, Step 3: Calculate the Circuit's CMRR ( $A_{DIFF}/A_{CM}$ )**

$$\begin{aligned} CMRR_{R\_ONLY} &= \frac{G_{amp} \left( \frac{1}{2} \right) \left( \frac{R1}{R1+R2} + \frac{R4}{R3+R4} \right)}{G_{amp} \left( \frac{R4}{R3+R4} - \frac{R1}{R1+R2} \right)} \\ &= \frac{\left( \frac{1}{2} \right) \left( \frac{R1}{R1+R2} + \frac{R4}{R3+R4} \right)}{\left( \frac{R4}{R3+R4} - \frac{R1}{R1+R2} \right)} \\ &= \frac{\left( \frac{1}{2} \right) (R1R3 + R1R4 + R1R4 + R2R4)}{(R1R4 + R2R4 - R1R3 - R1R4)} \\ &= \frac{\left( \frac{1}{2} \right) (2R1R4 + R2R4 + R1R3)}{(R2R4 - R1R3)} \\ &= \frac{\left( \frac{1}{2} \right) \left( \frac{1}{R2R4} \right) \left( \frac{1}{2} \right) (2R1R4 + R2R4 + R1R3)}{\left( \frac{1}{2} \right) \left( \frac{1}{R2R4} \right) (R2R4 - R1R3)} \\ &= \frac{\left( \frac{1}{2} \right) \left( \frac{1}{2} \right) \left( \frac{2R1R4}{R2R4} + \frac{R2R4}{R2R4} + \frac{R1R3}{R2R4} \right)}{\left( \frac{1}{2} \right) \left( \frac{R2R4}{R2R4} - \frac{R1R3}{R2R4} \right)} \\ CMRR_{R\_ONLY} &= \frac{\left( \frac{1}{2} \right) \left( \frac{1}{2} \right) \left( \frac{2R1}{R2} + 1 + \frac{R1R3}{R2R4} \right)}{\left( \frac{1}{2} \right) \left( 1 - \frac{R1R3}{R2R4} \right)} \end{aligned}$$

**Equation 3**  
This Preliminary Result Will Be Referenced  
in Other Calculations

This equation can be simplified by noting the following:

$$\Delta R/R_{CMRR} = \left(\frac{1}{2}\right)\left(1 - \frac{R1R3}{R2R4}\right) \text{ and } \frac{R1}{R2} \approx \frac{R4}{R3} \approx G \text{ and } \left(\frac{R1R3}{R2R4}\right) \approx 1$$

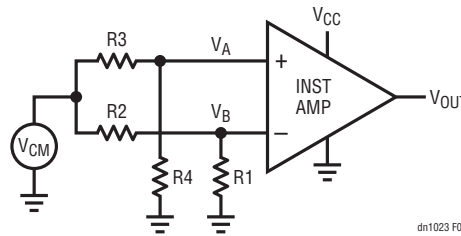
Thus,

$$CMRR_{R\_ONLY} \approx \frac{\left(\frac{1}{2}\right)\left(\frac{1}{2}\right)(2G+2)}{\left(\frac{1}{2}\right)\left(1 - \frac{R1R3}{R2R4}\right)}$$

$$CMRR_{R\_ONLY} \approx \frac{\left(\frac{1}{2}\right)(G+1)}{\Delta R/R_{CMRR}}$$

## CASE 2: NON-IDEAL INSTRUMENTATION AMP (CMRR<sub>amp</sub> IS FINITE)

### CMRR Derivation, Step 1: Calculate the Circuit's Common Mode Gain (A<sub>CM</sub>)



$$V_{CM}' = (V_A + V_B) / 2$$

$$V_{DIFF}' = (V_A - V_B)$$

**V<sub>CM</sub>' = Common Mode Voltage Seen at Inputs of Amp**  
**V<sub>DIFF</sub>' = Differential Voltage Seen at Inputs of Amp**

$$V_A = V_{CM} \cdot \left(\frac{R4}{R3+R4}\right)$$

$$V_B = V_{CM} \cdot \left(\frac{R1}{R1+R2}\right)$$

$$V_{OUT} = (V_{CM}' \cdot A_{CM}') + (V_{DIFF}' \cdot A_{DIFF}')$$

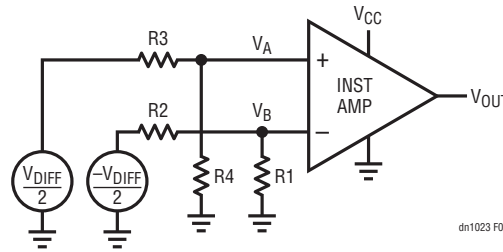
**A<sub>CM</sub>' = Common Mode Gain of the Amp**  
**A<sub>DIFF</sub>' = Differential Mode Gain of the Amp**

$$V_{OUT} = \frac{1}{2} A_{CM}' \left[ V_{CM} \left(\frac{R4}{R3+R4}\right) + V_{CM} \left(\frac{R1}{R1+R2}\right) \right] + A_{DIFF}' \left[ V_{CM} \left(\frac{R4}{R3+R4}\right) - V_{CM} \left(\frac{R1}{R1+R2}\right) \right]$$

$$V_{OUT} = V_{CM} \left[ \frac{1}{2} A_{CM}' \left[ \left(\frac{R4}{R3+R4}\right) + \left(\frac{R1}{R1+R2}\right) \right] + A_{DIFF}' \left[ \left(\frac{R4}{R3+R4}\right) - \left(\frac{R1}{R1+R2}\right) \right] \right]$$

$$\frac{V_{OUT}}{V_{CM}} = \left[ \frac{1}{2} A_{CM}' \left[ \left(\frac{R4}{R3+R4}\right) + \left(\frac{R1}{R1+R2}\right) \right] + A_{DIFF}' \left[ \left(\frac{R4}{R3+R4}\right) - \left(\frac{R1}{R1+R2}\right) \right] \right]$$

## CMRR Derivation, Step 2: Calculate the Circuit's Differential Mode Gain ( $A_{DIFF}$ )



$$V_{CM}' = (V_A + V_B) / 2$$

$$V_{DIFF}' = (V_A - V_B)$$

$V_{CM}'$  = Common Mode Voltage Seen at Inputs of Amp  
 $V_{DIFF}'$  = Differential Voltage Seen at Inputs of Amp

$$V_A = \frac{V_{DIFF}'}{2} \cdot \left( \frac{R4}{R3+R4} \right)$$

$$V_B = -\frac{V_{DIFF}'}{2} \cdot \left( \frac{R1}{R1+R2} \right)$$

$$V_{OUT} = (V_{CM}' \cdot A_{CM}') + (V_{DIFF}' \cdot A_{DIFF}')$$

$A_{CM}'$  = Common Mode Gain of the Amp  
 $A_{DIFF}'$  = Differential Mode Gain of the Amp

$$V_{OUT} = \frac{1}{2} A_{CM}' \left[ \frac{V_{DIFF}'}{2} \left( \frac{R4}{R3+R4} \right) + \left( -\frac{V_{DIFF}'}{2} \right) \left( \frac{R1}{R1+R2} \right) \right]$$

$$+ A_{DIFF}' \left[ \frac{V_{DIFF}'}{2} \left( \frac{R4}{R3+R4} \right) - \left( -\frac{V_{DIFF}'}{2} \right) \left( \frac{R1}{R1+R2} \right) \right]$$

$$V_{OUT} = \frac{V_{DIFF}'}{2} \left[ \frac{1}{2} A_{CM}' \left[ \left( \frac{R4}{R3+R4} \right) - \left( \frac{R1}{R1+R2} \right) \right] + A_{DIFF}' \left[ \left( \frac{R4}{R3+R4} \right) + \left( \frac{R1}{R1+R2} \right) \right] \right]$$

$$\frac{V_{OUT}}{V_{DIFF}'} = \frac{1}{2} \left[ \frac{1}{2} A_{CM}' \left[ \left( \frac{R4}{R3+R4} \right) - \left( \frac{R1}{R1+R2} \right) \right] + A_{DIFF}' \left[ \left( \frac{R4}{R3+R4} \right) + \left( \frac{R1}{R1+R2} \right) \right] \right]$$

This equation can be simplified by noting the following:

$$A_{DIFF}' \left[ \left( \frac{R4}{R3+R4} \right) + \left( \frac{R1}{R1+R2} \right) \right] \gg \frac{1}{2} A_{CM}' \left[ \left( \frac{R4}{R3+R4} \right) - \left( \frac{R1}{R1+R2} \right) \right]$$

Thus,

$$\boxed{\frac{V_{OUT}}{V_{DIFF}'} \approx \frac{1}{2} \left[ A_{DIFF}' \left[ \left( \frac{R4}{R3+R4} \right) + \left( \frac{R1}{R1+R2} \right) \right] \right]}$$

**CMRR Derivation, Step 3: Calculate the Circuit's CMRR ( $A_{DIFF}/A_{CM}$ )**

$$\begin{aligned}
 CMRR_{TOTAL} &\approx \frac{\left(\frac{1}{2}\right)A_{DIFF} \left[ \left(\frac{R4}{R3+R4}\right) + \left(\frac{R1}{R1+R2}\right) \right]}{\frac{1}{2}A_{CM} \left[ \left(\frac{R4}{R3+R4}\right) + \left(\frac{R1}{R1+R2}\right) \right] + A_{DIFF} \left[ \left(\frac{R4}{R3+R4}\right) - \left(\frac{R1}{R1+R2}\right) \right]} \\
 &\approx \frac{\left(\frac{1}{2}\right) [(R1R3 + R1R4 + R1R4 + R2R4)]}{\left(\frac{1}{2}\right) \left(\frac{1}{CMRR_{amp}}\right) (R1R3 + R1R4 + R1R4 + R2R4) + (R1R4 + R2R4 - R1R3 - R1R4)} \\
 &\approx \frac{\left(\frac{1}{2}\right) \left(\frac{1}{R2R4}\right) \left(\frac{1}{2}\right) (R1R3 + 2R1R4 + R2R4)}{\left(\frac{1}{2}\right) \left(\frac{1}{R2R4}\right) \left[ \left(\frac{1}{2}\right) \left(\frac{1}{CMRR_{amp}}\right) (R1R3 + 2R1R4 + R2R4) + (R2R4 - R1R3) \right]} \\
 &\approx \frac{\left(\frac{1}{2}\right) \left(\frac{1}{2}\right) \left(\frac{R1R3}{R2R4} + \frac{2R1R4}{R2R4} + \frac{R2R4}{R2R4}\right)}{\left(\frac{1}{2}\right) \left(\frac{1}{2}\right) \left(\frac{1}{CMRR_{amp}}\right) \left(\frac{R1R3}{R2R4} + \frac{2R1R4}{R2R4} + \frac{R2R4}{R2R4}\right) + \left(\frac{1}{2}\right) \left(\frac{R2R4}{R2R4} - \frac{R1R3}{R2R4}\right)} \\
 &\approx \frac{\left(\frac{1}{2}\right) \left(\frac{1}{2}\right) \left(\frac{R1R3}{R2R4} + \frac{2R1}{R2} + 1\right)}{\left(\frac{1}{2}\right) \left(\frac{1}{2}\right) \left(\frac{1}{CMRR_{amp}}\right) \left(\frac{R1R3}{R2R4} + \frac{2R1}{R2} + 1\right) + \left(\frac{1}{2}\right) \left(1 - \frac{R1R3}{R2R4}\right)}
 \end{aligned}$$

**Equation 4**  
This Preliminary Result Will Be Referenced in Other Calculations

$$CMRR_{amp} = \frac{A_{DIFF}}{A_{CM}}$$

This equation can be simplified by noting the following:

$$\Delta R/R_{CMRR} = \left(\frac{1}{2}\right) \left(1 - \frac{R1R3}{R2R4}\right) \text{ and } \frac{R1}{R2} \approx \frac{R4}{R3} \approx G \text{ and } \left(\frac{R1R3}{R2R4}\right) \approx 1$$

Thus,

$$CMRR_{TOTAL} \approx \frac{\left(\frac{1}{2}\right) \left(1 + \frac{R1}{R2}\right)}{\left(\frac{1}{CMRR_{amp}}\right) \left(\frac{1}{2}\right) \left(1 + \frac{R1}{R2}\right) + \left(\frac{1}{2}\right) \left(1 - \frac{R1R3}{R2R4}\right)}$$

$$CMRR_{TOTAL} \approx \frac{\left(\frac{1}{2}\right) (1+G)}{\left(\frac{1}{CMRR_{amp}}\right) \left(\frac{1}{2}\right) (1+G) + \Delta R/R_{CMRR}}$$

### Example of CMRR Calculation

Using Linear Technology's LTC2053 Instrument Amplifier, configured for a gain of 1, and the LT5400A-1:

$$CMRR_{amp(2053)} = 100\text{dB}$$

$$G \approx \frac{R1}{R2} \approx \frac{R4}{R3} \approx \frac{10\text{k}}{10\text{k}} \approx 1$$

$$100\text{dB} \rightarrow (1/CMRR_{amp(2053)}) = 0.001\%$$

$$\Delta R/R_{CMRR} = 0.005\%$$

Using Equation 2:

$$CMRR_{TOTAL} \approx \frac{(1)}{\left(\frac{1}{CMRR_{amp}}\right)(1) + (\Delta R/R_{CMRR})}$$

$$\approx \frac{1}{0.00001 + 0.00005}$$

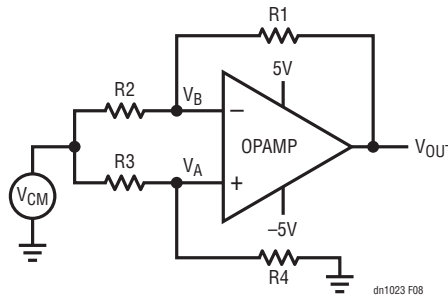
$$\approx 16667$$

$$CMRR_{TOTAL}(\text{dB}) \approx 20\log(16667)$$

$$\approx 84.44\text{dB}$$

### CASE 3: DIFFERENCE AMP USING AN IDEAL OP AMP (CMRR<sub>amp</sub> IS INFINITE)

CMRR Derivation, Step 1: Calculate the Circuit's Common Mode Gain (A<sub>CM</sub>)



$$V_B = V_{CM} \left( \frac{R1}{R1+R2} \right) + V_{OUT} \left( \frac{R2}{R1+R2} \right)$$

$$V_A = V_{CM} \left( \frac{R4}{R3+R4} \right)$$

$$V_A = V_B$$

$$V_{CM} \left( \frac{R1}{R1+R2} \right) + V_{OUT} \left( \frac{R2}{R1+R2} \right) = V_{CM} \left( \frac{R4}{R3+R4} \right)$$

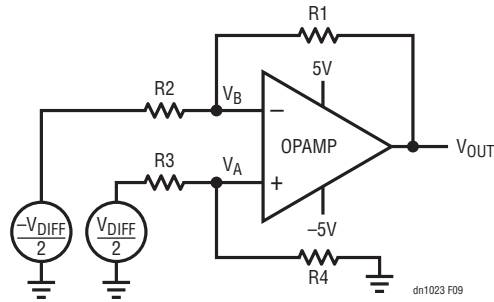
$$V_{OUT} \left( \frac{R2}{R1+R2} \right) = V_{CM} \left( \frac{R4}{R3+R4} - \frac{R1}{R1+R2} \right)$$

Ideal Op Amp



$$\frac{V_{OUT}}{V_{CM}} = \frac{\left( \frac{R4}{R3+R4} - \frac{R1}{R1+R2} \right)}{\left( \frac{R2}{R1+R2} \right)}$$

**CMRR Derivation, Step 2: Calculate the Circuit's Differential Mode Gain ( $A_{DIFF}$ )**



$$V_A = \frac{V_{DIFF}}{2} \left( \frac{R4}{R3+R4} \right)$$

$$V_B = -\frac{V_{DIFF}}{2} \left( \frac{R1}{R1+R2} \right) + V_{OUT} \left( \frac{R2}{R1+R2} \right)$$

$$V_A = V_B$$

**Ideal Op Amp**

$$-\frac{V_{DIFF}}{2} \left( \frac{R1}{R1+R2} \right) + V_{OUT} \left( \frac{R2}{R1+R2} \right) = \frac{V_{DIFF}}{2} \left( \frac{R4}{R3+R4} \right)$$

$$V_{OUT} \left( \frac{R2}{R1+R2} \right) = \left( \frac{V_{DIFF}}{2} \right) \left( \frac{R1}{R1+R2} + \frac{R4}{R3+R4} \right)$$

$$\frac{V_{OUT}}{V_{DIFF}} = \frac{\left( \frac{1}{2} \right) \left( \frac{R1}{R1+R2} + \frac{R4}{R3+R4} \right)}{\left( \frac{R2}{R1+R2} \right)}$$

**CMRR Derivation, Step 3: Calculate the Circuit's CMRR ( $A_{DIFF}/A_{CM}$ )**

$$CMRR_{R\_ONLY} = \frac{\left(\frac{1}{2}\right)\left(\frac{R1}{R1+R2} + \frac{R4}{R3+R4}\right)}{\left(\frac{R2}{R1+R2}\right)} \cdot \frac{\left(\frac{R4}{R3+R4} - \frac{R1}{R1+R2}\right)}{\left(\frac{R2}{R1+R2}\right)}$$

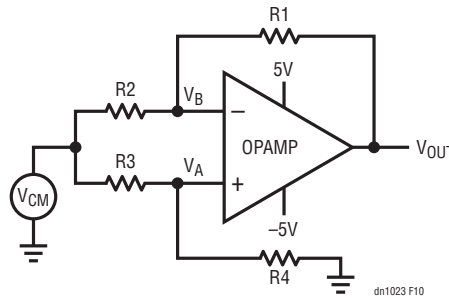
$$= \frac{\left(\frac{1}{2}\right)\left(\frac{R1}{R1+R2} + \frac{R4}{R3+R4}\right)}{\left(\frac{R4}{R3+R4} - \frac{R1}{R1+R2}\right)}$$

This is Equation 3, and we have already shown that Equation 3 can be reduced to Equation 1.

$$CMRR_{R\_ONLY} \approx \frac{\left(\frac{1}{2}\right)(G+1)}{\Delta R/R_{CMRR}}$$

**CASE 4: DIFFERENCE AMP USING A NON-IDEAL OP AMP ( $CMRR_{amp}$  IS FINITE)**

**CMRR Derivation, Step 1: Calculate the Circuit's Common Mode Gain ( $A_{CM}$ )**



$$V_{CM'} = (V_A + V_B) / 2$$

$$V_{DIFF'} = (V_A - V_B)$$

$$V_A = V_{CM'} \cdot \left(\frac{R4}{R3+R4}\right)$$

$$V_B = V_{CM'} \cdot \left(\frac{R1}{R1+R2}\right) + V_{OUT} \cdot \left(\frac{R2}{R1+R2}\right)$$

$$V_{OUT} = (V_{CM'} \cdot A_{CM'}) + (V_{DIFF'} \cdot A_{DIFF'})$$

$V_{CM'}$  = Common Mode Voltage Seen at Inputs of Amp  
 $V_{DIFF'}$  = Differential Voltage Seen at Inputs of Amp

$A_{CM'}$  = Common Mode Gain of the Amp  
 $A_{DIFF'}$  = Differential Mode Gain of the Amp

$$V_{OUT} = \frac{1}{2}A_{CM} \left[ V_{CM} \left( \frac{R4}{R3+R4} \right) + V_{CM} \left( \frac{R1}{R1+R2} \right) + V_{OUT} \left( \frac{R2}{R1+R2} \right) \right] \\ + A_{DIFF} \left[ V_{CM} \left( \frac{R4}{R3+R4} \right) - V_{CM} \left( \frac{R1}{R1+R2} \right) - V_{OUT} \left( \frac{R2}{R1+R2} \right) \right]$$

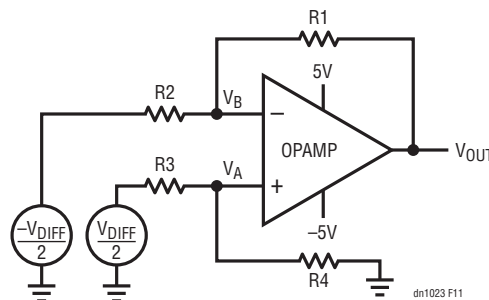
$$V_{OUT} = V_{OUT} \left[ \frac{1}{2}A_{CM} \left( \frac{R2}{R1+R2} \right) - A_{DIFF} \left( \frac{R2}{R1+R2} \right) \right] \\ + V_{CM} \left[ \frac{1}{2}A_{CM} \left[ \left( \frac{R1}{R1+R2} \right) + \left( \frac{R4}{R3+R4} \right) \right] + A_{DIFF} \left[ \left( \frac{R4}{R3+R4} \right) - \left( \frac{R1}{R1+R2} \right) \right] \right]$$

$$V_{OUT} - V_{OUT} \left[ \frac{1}{2}A_{CM} \left( \frac{R2}{R1+R2} \right) - A_{DIFF} \left( \frac{R2}{R1+R2} \right) \right] \\ = V_{CM} \left[ \frac{1}{2}A_{CM} \left[ \left( \frac{R1}{R1+R2} \right) + \left( \frac{R4}{R3+R4} \right) \right] + A_{DIFF} \left[ \left( \frac{R4}{R3+R4} \right) - \left( \frac{R1}{R1+R2} \right) \right] \right]$$

$$V_{OUT} \left[ 1 - \left[ \frac{1}{2}A_{CM} \left( \frac{R2}{R1+R2} \right) - A_{DIFF} \left( \frac{R2}{R1+R2} \right) \right] \right] \\ = V_{CM} \left[ \frac{1}{2}A_{CM} \left[ \left( \frac{R1}{R1+R2} \right) + \left( \frac{R4}{R3+R4} \right) \right] + A_{DIFF} \left[ \left( \frac{R4}{R3+R4} \right) - \left( \frac{R1}{R1+R2} \right) \right] \right]$$

$$\frac{V_{OUT}}{V_{CM}} = \frac{\frac{1}{2}A_{CM} \left[ \left( \frac{R1}{R1+R2} \right) + \left( \frac{R4}{R3+R4} \right) \right] + A_{DIFF} \left[ \left( \frac{R4}{R3+R4} \right) - \left( \frac{R1}{R1+R2} \right) \right]}{1 - \left[ \frac{1}{2}A_{CM} \left( \frac{R2}{R1+R2} \right) - A_{DIFF} \left( \frac{R2}{R1+R2} \right) \right]}$$

### CMRR Derivation, Step 2: Calculate the Circuit's Differential Mode Gain ( $A_{DIFF}$ )



$$V_{CM} = (V_A + V_B) / 2$$

$$V_{DIFF} = (V_A - V_B)$$

$V_{CM}$  = Common Mode Voltage Seen at Inputs of Amp  
 $V_{DIFF}$  = Differential Voltage Seen at Inputs of Amp

$$V_A = \frac{V_{DIFF}}{2} \cdot \left( \frac{R4}{R3+R4} \right)$$

$$V_B = -\frac{V_{DIFF}}{2} \cdot \left( \frac{R1}{R1+R2} \right) + V_{OUT} \cdot \left( \frac{R2}{R1+R2} \right)$$

$$V_{OUT} = (V_{CM} \cdot A_{CM}') + (V_{DIFF} \cdot A_{DIFF}')$$

$A_{CM}' = \text{Common Mode Gain of the Amp}$   
 $A_{DIFF}' = \text{Differential Mode Gain of the Amp}$

$$V_{OUT} = \left( \frac{1}{2} A_{CM}' \right) \left[ \frac{V_{DIFF}}{2} \left( \frac{R4}{R3+R4} \right) + \left( -\frac{V_{DIFF}}{2} \right) \left( \frac{R1}{R1+R2} \right) + V_{OUT} \left( \frac{R2}{R1+R2} \right) \right] \\ + A_{DIFF}' \left[ \frac{V_{DIFF}}{2} \left( \frac{R4}{R3+R4} \right) - \left( -\frac{V_{DIFF}}{2} \right) \left( \frac{R1}{R1+R2} \right) - V_{OUT} \left( \frac{R2}{R1+R2} \right) \right]$$

$$V_{OUT} = V_{OUT} \left[ \frac{1}{2} A_{CM}' \left( \frac{R2}{R1+R2} \right) - A_{DIFF}' \left( \frac{R2}{R1+R2} \right) \right] \\ + \frac{V_{DIFF}}{2} \left[ \frac{1}{2} A_{CM}' \left[ \left( \frac{R4}{R3+R4} \right) - \left( \frac{R1}{R1+R2} \right) \right] + A_{DIFF}' \left[ \left( \frac{R4}{R3+R4} \right) + \left( \frac{R1}{R1+R2} \right) \right] \right]$$

$$V_{OUT} - V_{OUT} \left[ \frac{1}{2} A_{CM}' \left( \frac{R2}{R1+R2} \right) - A_{DIFF}' \left( \frac{R2}{R1+R2} \right) \right] \\ = \frac{V_{DIFF}}{2} \left[ \frac{1}{2} A_{CM}' \left[ \left( \frac{R4}{R3+R4} \right) - \left( \frac{R1}{R1+R2} \right) \right] + A_{DIFF}' \left[ \left( \frac{R4}{R3+R4} \right) + \left( \frac{R1}{R1+R2} \right) \right] \right]$$

$$\frac{V_{OUT}}{V_{DIFF}} = \frac{\left( \frac{1}{2} \right) \left[ \frac{1}{2} A_{CM}' \left[ \left( \frac{R4}{R3+R4} \right) - \left( \frac{R1}{R1+R2} \right) \right] + A_{DIFF}' \left[ \left( \frac{R4}{R3+R4} \right) + \left( \frac{R1}{R1+R2} \right) \right] \right]}{1 - \left[ \left( \frac{1}{2} A_{CM}' \right) \left( \frac{R2}{R1+R2} \right) - A_{DIFF}' \left( \frac{R2}{R1+R2} \right) \right]}$$

This equation can be simplified by noting the following:

$$(A_{DIFF}') \left[ \left( \frac{R4}{R3+R4} \right) + \left( \frac{R1}{R1+R2} \right) \right] \gg \left( \frac{1}{2} A_{CM}' \right) \left[ \left( \frac{R4}{R3+R4} \right) - \left( \frac{R1}{R1+R2} \right) \right]$$

Thus,

$$\frac{V_{OUT}}{V_{DIFF}} \approx \frac{\left( \frac{1}{2} \right) A_{DIFF}' \left[ \left( \frac{R4}{R3+R4} \right) + \left( \frac{R1}{R1+R2} \right) \right]}{1 - \left[ \left( \frac{1}{2} A_{CM}' \right) \left( \frac{R2}{R1+R2} \right) - A_{DIFF}' \left( \frac{R2}{R1+R2} \right) \right]}$$

**CMRR Derivation, Step 3: Calculate the Circuit's CMRR ( $A_{DIFF}/A_{CM}$ )**

$$\begin{aligned}
 CMRR_{TOTAL} &\approx \frac{\left(\frac{1}{2}\right)A_{DIFF} \left[ \left(\frac{R4}{R3+R4}\right) + \left(\frac{R1}{R1+R2}\right) \right]}{1 - \left[ \left(\frac{1}{2}A_{CM}\right) \left(\frac{R2}{R1+R2}\right) - A_{DIFF} \left(\frac{R2}{R1+R2}\right) \right]} \\
 &\approx \frac{\frac{1}{2}A_{CM} \left[ \left(\frac{R1}{R1+R2}\right) + \left(\frac{R4}{R3+R4}\right) \right] + A_{DIFF} \left[ \left(\frac{R4}{R3+R4}\right) - \left(\frac{R1}{R1+R2}\right) \right]}{1 - \left[ \left(\frac{1}{2}A_{CM}\right) \left(\frac{R2}{R1+R2}\right) - \left(A_{DIFF}\right) \left(\frac{R1}{R1+R2}\right) \right]} \\
 &\approx \frac{\left(\frac{1}{2}\right)A_{DIFF} \left[ \left(\frac{R4}{R3+R4}\right) + \left(\frac{R1}{R1+R2}\right) \right]}{\frac{1}{2}A_{CM} \left[ \left(\frac{R1}{R1+R2}\right) + \left(\frac{R4}{R3+R4}\right) \right] + A_{DIFF} \left[ \left(\frac{R4}{R3+R4}\right) - \left(\frac{R1}{R1+R2}\right) \right]}
 \end{aligned}$$

This is Equation 4, and we have already shown that Equation 4 can be reduced to Equation 2.

$$CMRR_{TOTAL} \approx \frac{\left(\frac{1}{2}\right)(1+G)}{\left(\frac{1}{CMRR_{amp}}\right)\left(\frac{1}{2}\right)(1+G) + \Delta R/R_{CMRR}}$$

**Example of CMRR Calculation**

Using Linear Technology's LT1468 op amp and the LT5400A-3:

$$CMRR_{amp(1468)} = 96dB$$

$$G \approx \frac{R1}{R2} \approx \frac{R4}{R3} \approx \frac{100k}{10k} \approx 10$$

$$96dB \rightarrow (1/CMRR_{amp(1468)}) = 0.00158\%$$

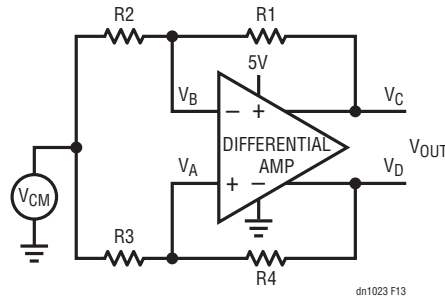
$$\Delta R/R_{CMRR} = 0.005\%$$

Using Equation 2:

$$\begin{aligned}
 CMRR_{TOTAL} &\approx \frac{(5.5)}{\left(\frac{1}{CMRR_{amp}}\right)(5.5) + (\Delta R/R_{CMRR})} \\
 &\approx \frac{5.5}{(0.00005) + (0.0000869)} \\
 &\approx 40175 \\
 CMRR_{TOTAL} (dB) &\approx 20\log(40175) \\
 &\approx 92.08dB
 \end{aligned}$$

## CASE 5: IDEAL DIFFERENTIAL AMPLIFIER (CMRR<sub>amp</sub> IS INFINITE)

### CMRR Derivation, Step 1: Calculate the Circuit's Common Mode Gain (A<sub>CM</sub>)



$$V_{OUT} = V_C - V_D$$

$$\left(\frac{1}{2}\right)V_{OUT} = V_C = -V_D$$

Where  $V_{OUT}$  is the Differential Output Voltage  
Assuming Balanced Outputs

$$V_A = V_{CM} \left( \frac{R4}{R3+R4} \right) + V_D \left( \frac{R3}{R3+R4} \right)$$

$$V_B = V_{CM} \left( \frac{R1}{R1+R2} \right) + V_C \left( \frac{R2}{R1+R2} \right)$$

$$V_A = V_B$$

Ideal Amplifier

$$V_{CM} \left( \frac{R4}{R3+R4} \right) + V_D \left( \frac{R3}{R3+R4} \right) = V_{CM} \left( \frac{R1}{R1+R2} \right) + V_C \left( \frac{R2}{R1+R2} \right)$$

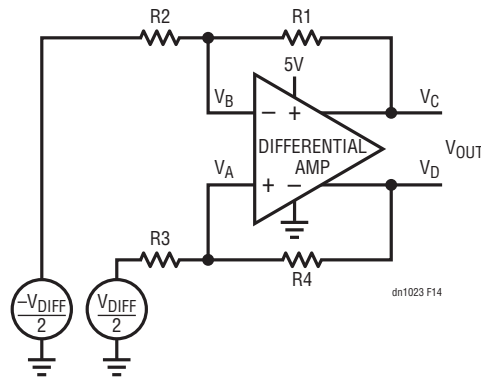
$$V_{CM} \left( \frac{R4}{R3+R4} \right) + (-V_{OUT}) \left( \frac{1}{2} \right) \frac{R3}{R3+R4} = V_{CM} \frac{R1}{R1+R2} + V_{OUT} \left( \frac{1}{2} \right) \frac{R2}{R1+R2}$$

$$V_{OUT} \left( \frac{1}{2} \right) \left( \frac{R2}{R1+R2} \right) + V_{OUT} \left( \frac{1}{2} \right) \left( \frac{R3}{R3+R4} \right) = V_{CM} \left( \frac{R4}{R3+R4} \right) - V_{CM} \left( \frac{R1}{R1+R2} \right)$$

$$V_{OUT} \left( \frac{1}{2} \right) \left( \frac{R2}{R1+R2} + \frac{R3}{R3+R4} \right) = V_{CM} \left( \frac{R4}{R3+R4} - \frac{R1}{R1+R2} \right)$$

$$\boxed{\frac{V_{OUT}}{V_{CM}} = \frac{\left( \frac{R4}{R3+R4} - \frac{R1}{R1+R2} \right)}{\left( \frac{1}{2} \right) \left( \frac{R2}{R1+R2} + \frac{R3}{R3+R4} \right)}}$$

**CMRR Derivation, Step 2: Calculate the Circuit's Differential Mode Gain ( $A_{DIFF}$ )**



$$V_{OUT} = V_C - V_D$$

$$\left(\frac{1}{2}\right)V_{OUT} = V_C = -V_D$$

Where  $V_{OUT}$  Is the Differential Output Voltage Assuming Balanced Outputs

$$V_A = \frac{V_{DIFF}}{2} \left( \frac{R_4}{R_3+R_4} \right) + V_D \left( \frac{R_3}{R_3+R_4} \right)$$

$$V_B = -\frac{V_{DIFF}}{2} \left( \frac{R_1}{R_1+R_2} \right) + V_C \left( \frac{R_2}{R_1+R_2} \right)$$

$$V_A = V_B$$

Ideal Amplifier

$$\frac{V_{DIFF}}{2} \left( \frac{R_4}{R_3+R_4} \right) + (-V_{OUT}) \left( \frac{1}{2} \right) \left( \frac{R_3}{R_3+R_4} \right) = -\frac{V_{DIFF}}{2} \left( \frac{R_1}{R_1+R_2} \right) + V_{OUT} \left( \frac{1}{2} \right) \left( \frac{R_2}{R_1+R_2} \right)$$

$$V_{OUT} \left( \frac{1}{2} \right) \left( \frac{R_2}{R_1+R_2} \right) + V_{OUT} \left( \frac{1}{2} \right) \left( \frac{R_3}{R_3+R_4} \right) = \frac{V_{DIFF}}{2} \left( \frac{R_1}{R_1+R_2} \right) + \frac{V_{DIFF}}{2} \left( \frac{R_4}{R_3+R_4} \right)$$

$$\frac{V_{OUT}}{V_{DIFF}} = \frac{\left(\frac{1}{2}\right)\left(\frac{R_1}{R_1+R_2} + \frac{R_4}{R_3+R_4}\right)}{\left(\frac{1}{2}\right)\left(\frac{R_2}{R_1+R_2} + \frac{R_3}{R_3+R_4}\right)}$$

**CMRR Derivation, Step 3: Calculate the Circuit's CMRR ( $A_{DIFF}/A_{CM}$ )**

$$CMRR_{R\_ONLY} = \frac{\left(\frac{1}{2}\right)\left(\frac{R1}{R1+R2} + \frac{R4}{R3+R4}\right)}{\left(\frac{1}{2}\right)\left(\frac{R2}{R1+R2} + \frac{R3}{R3+R4}\right)} \cdot \frac{\left(\frac{R4}{R3+R4} - \frac{R1}{R1+R2}\right)}{\left(\frac{1}{2}\right)\left(\frac{R2}{R1+R2} + \frac{R3}{R3+R4}\right)}$$

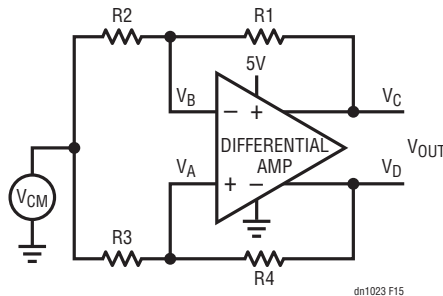
$$CMRR_{R\_ONLY} = \frac{\left(\frac{1}{2}\right)\left(\frac{R1}{R1+R2} + \frac{R4}{R3+R4}\right)}{\left(\frac{R4}{R3+R4} - \frac{R1}{R1+R2}\right)}$$

This is Equation 3, and we have already shown that Equation 3 can be reduced to Equation 1.

$$CMRR_{R\_ONLY} \approx \frac{\left(\frac{1}{2}\right)(G+1)}{\Delta R/R_{CMRR}}$$

**CASE 6: NON-IDEAL DIFFERENTIAL AMPLIFIER (CMRR<sub>amp</sub> IS FINITE)**

**CMRR Derivation, Step 1: Calculate the Circuit's Common Mode Gain ( $A_{CM}$ )**



$$V_{OUT} = V_C - V_D$$

$$\left(\frac{1}{2}\right)V_{OUT} = V_C = -V_D$$

$$V_{CM}' = (V_A + V_B)/2$$

$$V_{DIFF}' = (V_A - V_B)$$

$$V_A = V_{CM} \left(\frac{R4}{R3+R4}\right) + V_D \left(\frac{R3}{R3+R4}\right)$$

$$V_B = V_{CM} \left(\frac{R1}{R1+R2}\right) + V_C \left(\frac{R2}{R1+R2}\right)$$

$$V_{OUT} = (V_{CM}' \cdot A_{CM}') + (V_{DIFF}' \cdot A_{DIFF}')$$

Where  $V_{OUT}$  Is the Differential Output Voltage

Assuming Balanced Outputs

$V_{CM}'$  = Common Mode Voltage Seen at Inputs of Amp

$V_{DIFF}'$  = Differential Voltage Seen at Inputs of Amp

Where  $A_{CM}$  Is the Common Mode Input to Differential Output Gain and  $A_{DM}$  is the Differential Mode Input to Differential Output Gain

$A_{CM}'$  = Common Mode Gain of the Amp

$A_{DIFF}'$  = Differential Mode Gain of the Amp



$$V_{OUT} = \frac{1}{2}A_{CM} \left[ V_{CM} \left( \frac{R4}{R3+R4} \right) + \left( -\frac{V_{OUT}}{2} \right) \left( \frac{R3}{R3+R4} \right) + V_{CM} \left( \frac{R1}{R1+R2} \right) + \frac{V_{OUT}}{2} \left( \frac{R2}{R1+R2} \right) \right]$$

$$+ A_{DIFF} \left[ V_{CM} \left( \frac{R4}{R3+R4} \right) + \left( -\frac{V_{OUT}}{2} \right) \left( \frac{R3}{R3+R4} \right) - V_{CM} \left( \frac{R1}{R1+R2} \right) - \frac{V_{OUT}}{2} \left( \frac{R2}{R1+R2} \right) \right]$$

$$V_{OUT} = V_{CM} \left[ \frac{1}{2}A_{CM} \left[ \left( \frac{R4}{R3+R4} \right) + \left( \frac{R1}{R1+R2} \right) \right] + A_{DIFF} \left[ \left( \frac{R4}{R3+R4} \right) - \left( \frac{R1}{R1+R2} \right) \right] \right]$$

$$- \frac{V_{OUT}}{2} \left[ \frac{1}{2}A_{CM} \left[ \left( \frac{R3}{R3+R4} \right) - \left( \frac{R2}{R1+R2} \right) \right] + A_{DIFF} \left[ \left( \frac{R3}{R3+R4} \right) + \left( \frac{R2}{R1+R2} \right) \right] \right]$$

$$V_{OUT} + \frac{V_{OUT}}{2} \left[ \frac{1}{2}A_{CM} \left[ \left( \frac{R3}{R3+R4} \right) - \left( \frac{R2}{R1+R2} \right) \right] + A_{DIFF} \left[ \left( \frac{R3}{R3+R4} \right) + \left( \frac{R2}{R1+R2} \right) \right] \right]$$

$$= V_{CM} \left[ \frac{1}{2}A_{CM} \left[ \left( \frac{R4}{R3+R4} \right) + \left( \frac{R1}{R1+R2} \right) \right] + A_{DIFF} \left[ \left( \frac{R4}{R3+R4} \right) - \left( \frac{R1}{R1+R2} \right) \right] \right]$$

$$V_{OUT} \left( 1 + \left( \frac{1}{2} \right) \left[ \frac{1}{2}A_{CM} \left[ \left( \frac{R3}{R3+R4} \right) - \left( \frac{R2}{R1+R2} \right) \right] + A_{DIFF} \left[ \left( \frac{R3}{R3+R4} \right) + \left( \frac{R2}{R1+R2} \right) \right] \right] \right)$$

$$= V_{CM} \left[ \frac{1}{2}A_{CM} \left[ \left( \frac{R4}{R3+R4} \right) + \left( \frac{R1}{R1+R2} \right) \right] + A_{DIFF} \left[ \left( \frac{R4}{R3+R4} \right) - \left( \frac{R1}{R1+R2} \right) \right] \right]$$

$$\frac{V_{OUT}}{V_{CM}} = \frac{\frac{1}{2}A_{CM} \left[ \left( \frac{R4}{R3+R4} \right) + \left( \frac{R1}{R1+R2} \right) \right] + A_{DIFF} \left[ \left( \frac{R4}{R3+R4} \right) - \left( \frac{R1}{R1+R2} \right) \right]}{1 + \left( \frac{1}{2} \right) \left[ \frac{1}{2}A_{CM} \left[ \left( \frac{R3}{R3+R4} \right) - \left( \frac{R2}{R1+R2} \right) \right] + A_{DIFF} \left[ \left( \frac{R3}{R3+R4} \right) + \left( \frac{R2}{R1+R2} \right) \right] \right]}$$

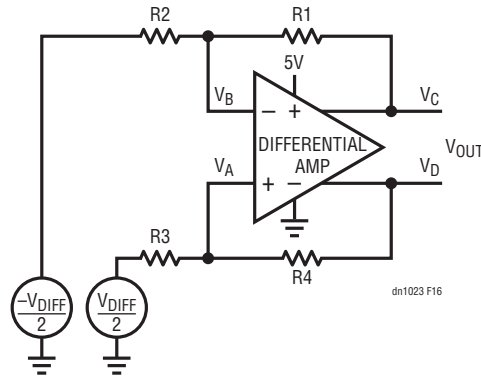
This equation can be simplified by noting the following:

$$(A_{DIFF}) \left[ \left( \frac{R4}{R3+R4} \right) + \left( \frac{R1}{R1+R2} \right) \right] \gg \left( \frac{1}{2}A_{CM} \right) \left[ \left( \frac{R4}{R3+R4} \right) - \left( \frac{R1}{R1+R2} \right) \right]$$

Thus,

$\frac{V_{OUT}}{V_{CM}} \approx \frac{\frac{1}{2}A_{CM} \left[ \left( \frac{R4}{R3+R4} \right) + \left( \frac{R1}{R1+R2} \right) \right] + A_{DIFF} \left[ \left( \frac{R4}{R3+R4} \right) - \left( \frac{R1}{R1+R2} \right) \right]}{1 + \left( \frac{1}{2} \right) A_{DIFF} \left[ \left( \frac{R3}{R3+R4} \right) + \left( \frac{R2}{R1+R2} \right) \right]}$
--

## CMRR Derivation, Step 2: Calculate the Circuit's Differential Mode Gain ( $A_{DIFF}$ )



$$V_{OUT} = V_C - V_D$$

$$\left(\frac{1}{2}\right)V_{OUT} = V_C = -V_D$$

$$V_{CM}' = (V_A + V_B)/2$$

$$V_{DIFF}' = (V_A - V_B)$$

$$V_A = \frac{V_{DIFF}}{2} \left( \frac{R4}{R3+R4} \right) + V_D \left( \frac{R3}{R3+R4} \right)$$

$$V_B = -\frac{V_{DIFF}}{2} \left( \frac{R1}{R1+R2} \right) + V_C \left( \frac{R2}{R1+R2} \right)$$

$$V_{OUT} = (V_{CM}' \cdot A_{CM}') + (V_{DIFF}' \cdot A_{DIFF}')$$

$$V_{OUT} = \frac{1}{2} A_{CM}' \left[ \frac{V_{DIFF}}{2} \left( \frac{R4}{R3+R4} \right) + (-V_{OUT}) \left( \frac{1}{2} \right) \left( \frac{R3}{R3+R4} \right) + \left( -\frac{V_{DIFF}}{2} \right) \left( \frac{R1}{R1+R2} \right) + V_{OUT} \left( \frac{1}{2} \right) \left( \frac{R2}{R1+R2} \right) \right]$$

$$+ A_{DIFF}' \left[ \frac{V_{DIFF}}{2} \left( \frac{R4}{R3+R4} \right) + (-V_{OUT}) \left( \frac{1}{2} \right) \left( \frac{R3}{R3+R4} \right) - \left( -\frac{V_{DIFF}}{2} \right) \left( \frac{R1}{R1+R2} \right) - V_{OUT} \left( \frac{1}{2} \right) \left( \frac{R2}{R1+R2} \right) \right]$$

$$V_{OUT} = \frac{V_{DIFF}}{2} \left[ \frac{1}{2} A_{CM}' \left[ \left( \frac{R4}{R3+R4} \right) - \left( \frac{R1}{R1+R2} \right) \right] + A_{DIFF}' \left[ \left( \frac{R4}{R3+R4} \right) + \left( \frac{R1}{R1+R2} \right) \right] \right]$$

$$- V_{OUT} \left( \frac{1}{2} \right) \left[ \frac{1}{2} A_{CM}' \left[ \left( \frac{R3}{R3+R4} \right) - \left( \frac{R2}{R1+R2} \right) \right] + A_{DIFF}' \left[ \left( \frac{R3}{R3+R4} \right) + \left( \frac{R2}{R1+R2} \right) \right] \right]$$

$$V_{OUT} + \left( \frac{1}{2} \right) V_{OUT} \left[ \frac{1}{2} A_{CM}' \left[ \left( \frac{R3}{R3+R4} \right) - \left( \frac{R2}{R1+R2} \right) \right] + A_{DIFF}' \left[ \left( \frac{R3}{R3+R4} \right) + \left( \frac{R2}{R1+R2} \right) \right] \right]$$

$$= \frac{V_{DIFF}}{2} \left[ \frac{1}{2} A_{CM}' \left[ \left( \frac{R4}{R3+R4} \right) - \left( \frac{R1}{R1+R2} \right) \right] + A_{DIFF}' \left[ \left( \frac{R4}{R3+R4} \right) + \left( \frac{R1}{R1+R2} \right) \right] \right]$$

Where  $V_{OUT}$  Is the Differential Output Voltage

Assuming Balanced Outputs

$V_{CM}'$  = Common Mode Voltage Seen at Inputs of Amp  
 $V_{DIFF}'$  = Differential Voltage Seen at Inputs of Amp

Where  $A_{CM}$  Is the Common Mode Input to Differential Output Gain and  $A_{DM}$  is the Differential Mode Input to Differential Output Gain

$A_{CM}'$  = Common Mode Gain of the Amp  
 $A_{DIFF}'$  = Differential Mode Gain of the Amp

$$\begin{aligned}
V_{OUT} & \left( 1 + \left( \frac{1}{2} \right) \left[ \frac{1}{2} A_{CM} \left[ \left( \frac{R3}{R3+R4} \right) - \left( \frac{R2}{R1+R2} \right) \right] + A_{DIFF} \left[ \left( \frac{R3}{R3+R4} \right) + \left( \frac{R2}{R1+R2} \right) \right] \right] \right) \\
& = \frac{V_{DIFF}}{2} \left[ \frac{1}{2} A_{CM} \left[ \left( \frac{R4}{R3+R4} \right) - \left( \frac{R1}{R1+R2} \right) \right] + A_{DIFF} \left[ \left( \frac{R4}{R3+R4} \right) + \left( \frac{R1}{R1+R2} \right) \right] \right] \\
\frac{V_{OUT}}{V_{DIFF}} & = \frac{\left( \frac{1}{2} \right) \left[ \frac{1}{2} A_{CM} \left[ \left( \frac{R4}{R3+R4} \right) - \left( \frac{R1}{R1+R2} \right) \right] + A_{DIFF} \left[ \left( \frac{R4}{R3+R4} \right) + \left( \frac{R1}{R1+R2} \right) \right] \right]}{1 + \left( \frac{1}{2} \right) \left[ \frac{1}{2} A_{CM} \left[ \left( \frac{R3}{R3+R4} \right) - \left( \frac{R2}{R1+R2} \right) \right] + A_{DIFF} \left[ \left( \frac{R3}{R3+R4} \right) + \left( \frac{R2}{R1+R2} \right) \right] \right]}
\end{aligned}$$

This equation can be simplified by noting the following:

$$A_{DIFF} \left[ \left( \frac{R4}{R3+R4} \right) + \left( \frac{R1}{R1+R2} \right) \right] \gg \frac{1}{2} A_{CM} \left[ \left( \frac{R4}{R3+R4} \right) - \left( \frac{R1}{R1+R2} \right) \right]$$

and

$$A_{DIFF} \left[ \left( \frac{R3}{R3+R4} \right) + \left( \frac{R2}{R1+R2} \right) \right] \gg \frac{1}{2} A_{CM} \left[ \left( \frac{R3}{R3+R4} \right) - \left( \frac{R2}{R1+R2} \right) \right]$$

$$\boxed{\frac{V_{OUT}}{V_{DIFF}} \approx \frac{\left( \frac{1}{2} \right) \left[ A_{DIFF} \left[ \left( \frac{R4}{R3+R4} \right) + \left( \frac{R1}{R1+R2} \right) \right] \right]}{1 + \left( \frac{1}{2} \right) A_{DIFF} \left[ \left( \frac{R3}{R3+R4} \right) + \left( \frac{R2}{R1+R2} \right) \right]}}$$

### CMRR Derivation, Step 3: Calculate the Circuit's CMRR ( $A_{DIFF}/A_{CM}$ )

$$\begin{aligned}
CMRR_{TOTAL} & \approx \frac{\left( \frac{1}{2} \right) \left[ A_{DIFF} \left[ \left( \frac{R4}{R3+R4} \right) + \left( \frac{R1}{R1+R2} \right) \right] \right]}{1 + \left( \frac{1}{2} \right) A_{DIFF} \left[ \left( \frac{R3}{R3+R4} \right) + \left( \frac{R2}{R1+R2} \right) \right]} \\
& = \frac{\frac{1}{2} A_{CM} \left[ \left( \frac{R4}{R3+R4} \right) + \left( \frac{R1}{R1+R2} \right) \right] + A_{DIFF} \left[ \left( \frac{R4}{R3+R4} \right) - \left( \frac{R1}{R1+R2} \right) \right]}{1 + \left( \frac{1}{2} \right) A_{DIFF} \left[ \left( \frac{R3}{R3+R4} \right) + \left( \frac{R2}{R1+R2} \right) \right]} \\
& \approx \frac{\left( \frac{1}{2} \right) \left[ A_{DIFF} \left[ \left( \frac{R4}{R3+R4} \right) + \left( \frac{R1}{R1+R2} \right) \right] \right]}{\frac{1}{2} A_{CM} \left[ \left( \frac{R1}{R1+R2} \right) + \left( \frac{R4}{R3+R4} \right) \right] + A_{DIFF} \left[ \left( \frac{R4}{R3+R4} \right) - \left( \frac{R1}{R1+R2} \right) \right]}
\end{aligned}$$

This is Equation 4, and we have already shown that Equation 4 can be reduced to Equation 2.

$$CMRR_{TOTAL} \approx \frac{\left(\frac{1}{2}\right)(1+G)}{\left(\frac{1}{CMRR_{amp}}\right)\left(\frac{1}{2}\right)(1+G) + \Delta R/R_{CMRR}}$$

### Example of CMRR Calculation

Using Linear Technology's LTC6362 Differential Amplifier and the LT5400A-6:

$$CMRR_{amp(6362)} = 70\text{dB}$$

$$G \approx \frac{R1}{R2} \approx \frac{R4}{R3} \approx \frac{5k}{1k} \approx 5$$

$$70\text{dB} \rightarrow (1/CMRR_{amp(6362)}) = 0.0316\%$$

$$\Delta R/R_{CMRR} = 0.005\%$$

Using Equation 2:

$$CMRR_{TOTAL} \approx \frac{(3)}{\left(\frac{1}{CMRR_{amp}}\right)(3) + (\Delta R/R_{CMRR})}$$

$$\approx \frac{3}{(0.00005) + (3 \cdot 0.000316)}$$

$$\approx 3006$$

$$CMRR_{TOTAL} (\text{dB}) \approx 20\log(3006)$$

$$\approx 69.56\text{dB}$$

Data Sheet Download

[www.linear.com](http://www.linear.com)

For applications help,  
call (408) 432-1900, Ext. 2020