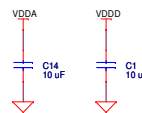
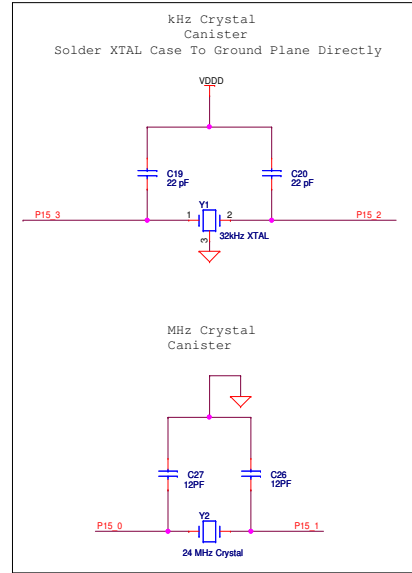
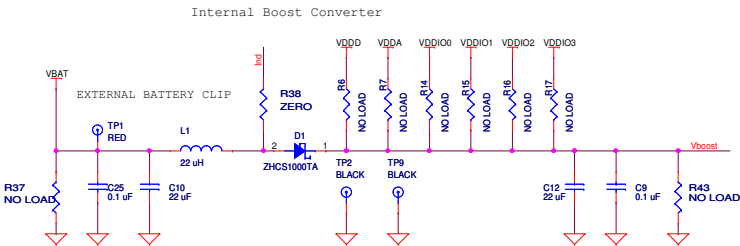
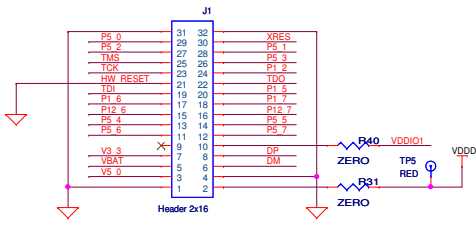
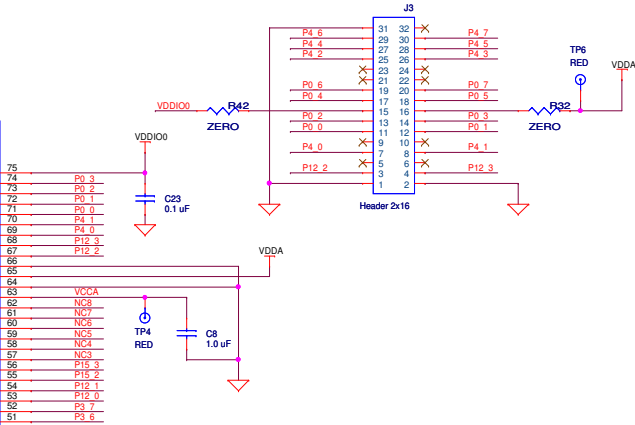
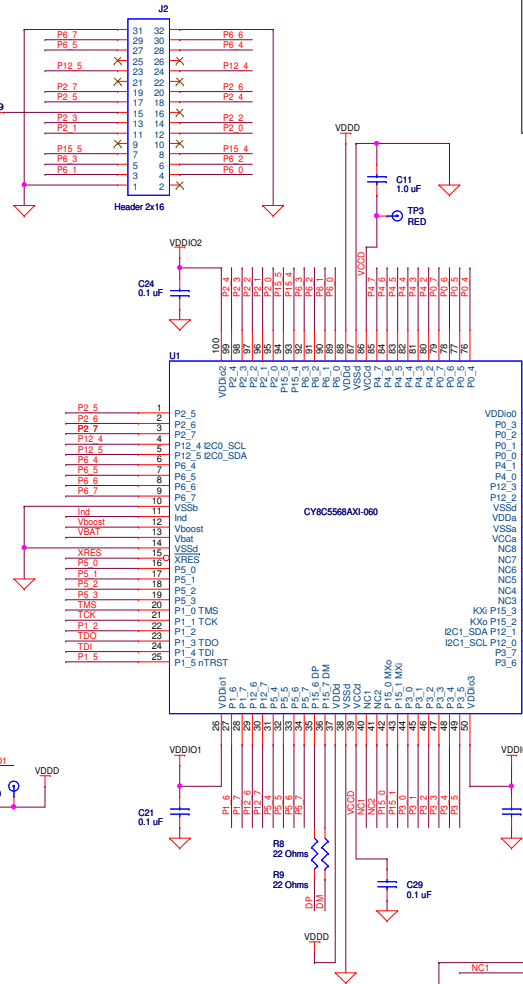
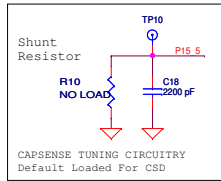
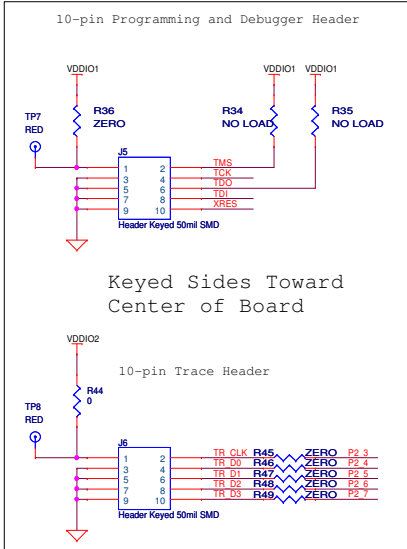
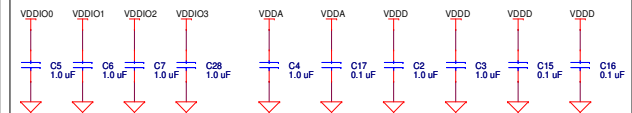


CY8C55 FAMILY
PROCESSOR MODULE

Storage Capacitors



Bypass Capacitors



Layout Considerations/Requirements:

1. Board Layers: 2
2. Board Thickness: 0.062"
3. Board Size: 2.0" x 2.5"
4. Impedance matching for USB signals

PDCR-9546 REV**
121R-54600 REV*A

CYPRESS SEMICONDUCTOR © 2011		
Title	CY8C55 Family Processor Module	
Size C	Document Number REF-15051	Rev *A
Date:	Sheet 1 of 1	