

Component-Level Information Packet for E4406-60009

RF



Agilent Part Number: E4406-90068

Printed in USA June 1999

Notice

The information contained in this document is subject to change without notice. Agilent Technologies makes no warranty of any kind with regard to this material, including but not limited to, the implied warranties of merchantability and fitness for a particular purpose. Agilent Technologies shall not be liable for errors contained herein or for incidental or consequential damages in connection with the furnishing, performance, or use of this material.

© Copyright Agilent Technologies Inc. 1999 - 2001
All Rights Reserved. Reproduction, adaptation, or translation without prior written permission is prohibited, except as allowed under the copyright laws.

HP Part Number E4406-60009
RF

Reference Designator	HP Part Number	Qty	Description	Mfr Code	Mfr Part Number
C3	0160-7831	1	CAP-FXD 1.2pF +-20.83% 50 V CER C0G	02010	06035A1R2CAT
C4	0160-7831	1	CAP-FXD 1.2pF +-20.83% 50 V CER C0G	02010	06035A1R2CAT
C7	0160-7833	1	CAP-FXD 1.8pF +-13.89% 50 V CER C0G	02010	06035A1R8CAT
C15	0160-7834	1	CAP-FXD 10pF +-5% 50 V CER C0G	02010	06035A100JAT
C27	0160-7749	1	CAP-FXD 22pF +-5% 50 V CER C0G	02010	06035A220JAT
C28	0160-7864	1	CAP-FXD 56pF +-5% 50 V CER C0G	02010	06035A560JAT
C29	0160-7964	1	CAP-FXD 5pF +-5% 50 V CER C0G	02010	06035A5R0CAT
C30	0160-7965	1	CAP-FXD 6pF +-4.2% 50 V CER C0G	06352	C1608COG1H6R0C
C31	0160-7748	1	CAP-FXD 1000pF +-10% 50 V CER X7R	02010	06035C102KAT
C34	0160-7860	1	CAP-FXD 4.7pF +-5.31% 50 V CER C0G	02010	06035A4R7CAT
C36	0160-7860	1	CAP-FXD 4.7pF +-5.31% 50 V CER C0G	02010	06035A4R7CAT
C39	0160-7835	1	CAP-FXD 100pF +-5% 50 V CER C0G	02010	06035A101JAT
C41	0160-7971	1	CAP-FXD 20pF +-5% 50 V CER C0G	02010	06035A200JAT
C44	0180-4636	1	CAP-FXD 22uF +-20% 35 V TA	12340	T491X226M035AS
C45	0180-4636	1	CAP-FXD 22uF +-20% 35 V TA	12340	T491X226M035AS
C46	0180-4734	1	CAP-FXD 100uF +-10% 10 V TA	02010	TPSD107K0100100
C47	0180-4734	1	CAP-FXD 100uF +-10% 10 V TA	02010	TPSD107K0100100
C48	0160-7748	1	CAP-FXD 1000pF +-10% 50 V CER X7R	02010	06035C102KAT
C49	0160-7984	1	CAP-FXD 300pF +-5% 50 V CER C0G	06352	C1608COG1H301J
C50	0160-7748	1	CAP-FXD 1000pF +-10% 50 V CER X7R	02010	06035C102KAT
C51	0160-7748	1	CAP-FXD 1000pF +-10% 50 V CER X7R	02010	06035C102KAT
C52	0160-7748	1	CAP-FXD 1000pF +-10% 50 V CER X7R	02010	06035C102KAT
C56	0160-7748	1	CAP-FXD 1000pF +-10% 50 V CER X7R	02010	06035C102KAT
C57	0160-7748	1	CAP-FXD 1000pF +-10% 50 V CER X7R	02010	06035C102KAT
C58	0160-7748	1	CAP-FXD 1000pF +-10% 50 V CER X7R	02010	06035C102KAT
C59	0160-7748	1	CAP-FXD 1000pF +-10% 50 V CER X7R	02010	06035C102KAT
C63	0160-7748	1	CAP-FXD 1000pF +-10% 50 V CER X7R	02010	06035C102KAT
C64	0160-7748	1	CAP-FXD 1000pF +-10% 50 V CER X7R	02010	06035C102KAT
C72	0160-7748	1	CAP-FXD 1000pF +-10% 50 V CER X7R	02010	06035C102KAT
C73	0160-7748	1	CAP-FXD 1000pF +-10% 50 V CER X7R	02010	06035C102KAT
C74	0160-7748	1	CAP-FXD 1000pF +-10% 50 V CER X7R	02010	06035C102KAT
C75	0160-7748	1	CAP-FXD 1000pF +-10% 50 V CER X7R	02010	06035C102KAT
C76	0160-7748	1	CAP-FXD 1000pF +-10% 50 V CER X7R	02010	06035C102KAT
C77	0160-7748	1	CAP-FXD 1000pF +-10% 50 V CER X7R	02010	06035C102KAT
C78	0160-7748	1	CAP-FXD 1000pF +-10% 50 V CER X7R	02010	06035C102KAT

**Indicates factory-selected value*

HP Part Number E4406-60009
RF (continued)

Reference Designator	HP Part Number	Qty	Description	Mfr Code	Mfr Part Number
C79	0160-7748	1	CAP-FXD 1000pF +-10% 50 V CER X7R	02010	06035C102KAT
C80	0160-7748	1	CAP-FXD 1000pF +-10% 50 V CER X7R	02010	06035C102KAT
C81	0160-7516	1	CAP-FXD 330pF +-5% 50 V CER C0G	06352	C1608COG1H331J
C82	0160-7516	1	CAP-FXD 330pF +-5% 50 V CER C0G	06352	C1608COG1H331J
C83	0160-7516	1	CAP-FXD 330pF +-5% 50 V CER C0G	06352	C1608COG1H331J
C84	0160-7834	1	CAP-FXD 10pF +-5% 50 V CER C0G	02010	06035A100JAT
C88	0160-7966	1	CAP-FXD 7pF +-3.6% 50 V CER C0G	06352	C1608COG1H7R0C
C89	0160-7775	1	CAP-FXD 5.6pF +-4.5% 50 V CER C0G	02010	06035A5R6CAT
C90	0160-7835	1	CAP-FXD 100pF +-5% 50 V CER C0G	02010	06035A101JAT
C91	0160-7835	1	CAP-FXD 100pF +-5% 50 V CER C0G	02010	06035A101JAT
C92	0160-7835	1	CAP-FXD 100pF +-5% 50 V CER C0G	02010	06035A101JAT
C93	0160-7835	1	CAP-FXD 100pF +-5% 50 V CER C0G	02010	06035A101JAT
C94	0160-7835	1	CAP-FXD 100pF +-5% 50 V CER C0G	02010	06035A101JAT
C95	0160-7835	1	CAP-FXD 100pF +-5% 50 V CER C0G	02010	06035A101JAT
C96	0160-7835	1	CAP-FXD 100pF +-5% 50 V CER C0G	02010	06035A101JAT
C97	0180-4287	1	CAP-FXD 10uF +-20% 35 V TA	02010	TAJD106M035
C98	0180-4287	1	CAP-FXD 10uF +-20% 35 V TA	02010	TAJD106M035
C104	0160-7751	1	CAP-FXD 0.01uF +-10% 50 V CER X7R	02010	06035C103KAT
C105	0160-7751	1	CAP-FXD 0.01uF +-10% 50 V CER X7R	02010	06035C103KAT
C106	0160-7751	1	CAP-FXD 0.01uF +-10% 50 V CER X7R	02010	06035C103KAT
C107	0160-7751	1	CAP-FXD 0.01uF +-10% 50 V CER X7R	02010	06035C103KAT
C108	0160-7751	1	CAP-FXD 0.01uF +-10% 50 V CER X7R	02010	06035C103KAT
C109	0160-7751	1	CAP-FXD 0.01uF +-10% 50 V CER X7R	02010	06035C103KAT
C110	0160-7751	1	CAP-FXD 0.01uF +-10% 50 V CER X7R	02010	06035C103KAT
C113	0160-7751	1	CAP-FXD 0.01uF +-10% 50 V CER X7R	02010	06035C103KAT
C114	0160-7751	1	CAP-FXD 0.01uF +-10% 50 V CER X7R	02010	06035C103KAT
C115	0160-7751	1	CAP-FXD 0.01uF +-10% 50 V CER X7R	02010	06035C103KAT
C116	0160-7751	1	CAP-FXD 0.01uF +-10% 50 V CER X7R	02010	06035C103KAT
C117	0160-7751	1	CAP-FXD 0.01uF +-10% 50 V CER X7R	02010	06035C103KAT
C118	0160-7751	1	CAP-FXD 0.01uF +-10% 50 V CER X7R	02010	06035C103KAT
C119	0160-7751	1	CAP-FXD 0.01uF +-10% 50 V CER X7R	02010	06035C103KAT
C120	0160-7751	1	CAP-FXD 0.01uF +-10% 50 V CER X7R	02010	06035C103KAT
C123	0160-7798	1	CAP-FXD 0.1uF +-10% 50 V CER X7R	06352	C2012X7R1H104K
C124	0160-7798	1	CAP-FXD 0.1uF +-10% 50 V CER X7R	06352	C2012X7R1H104K
C125	0160-7798	1	CAP-FXD 0.1uF +-10% 50 V CER X7R	06352	C2012X7R1H104K

**HP Part Number E4406-60009
RF (continued)**

Reference Designator	HP Part Number	Qty	Description	Mfr Code	Mfr Part Number
C126	0160-7798	1	CAP-FXD 0.1uF +-10% 50 V CER X7R	06352	C2012X7R1H104K
C127	0160-7798	1	CAP-FXD 0.1uF +-10% 50 V CER X7R	06352	C2012X7R1H104K
C128	0160-7798	1	CAP-FXD 0.1uF +-10% 50 V CER X7R	06352	C2012X7R1H104K
C131	0160-7798	1	CAP-FXD 0.1uF +-10% 50 V CER X7R	06352	C2012X7R1H104K
C132	0160-7798	1	CAP-FXD 0.1uF +-10% 50 V CER X7R	06352	C2012X7R1H104K
C133	0160-7798	1	CAP-FXD 0.1uF +-10% 50 V CER X7R	06352	C2012X7R1H104K
C134	0160-7798	1	CAP-FXD 0.1uF +-10% 50 V CER X7R	06352	C2012X7R1H104K
C135	0160-7798	1	CAP-FXD 0.1uF +-10% 50 V CER X7R	06352	C2012X7R1H104K
C136	0160-7798	1	CAP-FXD 0.1uF +-10% 50 V CER X7R	06352	C2012X7R1H104K
C137	0160-7798	1	CAP-FXD 0.1uF +-10% 50 V CER X7R	06352	C2012X7R1H104K
C138	0160-7798	1	CAP-FXD 0.1uF +-10% 50 V CER X7R	06352	C2012X7R1H104K
C139	0160-7798	1	CAP-FXD 0.1uF +-10% 50 V CER X7R	06352	C2012X7R1H104K
C140	0160-7798	1	CAP-FXD 0.1uF +-10% 50 V CER X7R	06352	C2012X7R1H104K
C141	0160-7798	1	CAP-FXD 0.1uF +-10% 50 V CER X7R	06352	C2012X7R1H104K
C143	0160-7798	1	CAP-FXD 0.1uF +-10% 50 V CER X7R	06352	C2012X7R1H104K
C144	0160-7798	1	CAP-FXD 0.1uF +-10% 50 V CER X7R	06352	C2012X7R1H104K
C145	0160-7798	1	CAP-FXD 0.1uF +-10% 50 V CER X7R	06352	C2012X7R1H104K
C147	0160-7798	1	CAP-FXD 0.1uF +-10% 50 V CER X7R	06352	C2012X7R1H104K
C148	0160-7798	1	CAP-FXD 0.1uF +-10% 50 V CER X7R	06352	C2012X7R1H104K
C149	0160-7798	1	CAP-FXD 0.1uF +-10% 50 V CER X7R	06352	C2012X7R1H104K
C150	0160-7798	1	CAP-FXD 0.1uF +-10% 50 V CER X7R	06352	C2012X7R1H104K
C151	0160-7798	1	CAP-FXD 0.1uF +-10% 50 V CER X7R	06352	C2012X7R1H104K
C152	0160-7798	1	CAP-FXD 0.1uF +-10% 50 V CER X7R	06352	C2012X7R1H104K
C153	0160-7798	1	CAP-FXD 0.1uF +-10% 50 V CER X7R	06352	C2012X7R1H104K
C154	0160-7798	1	CAP-FXD 0.1uF +-10% 50 V CER X7R	06352	C2012X7R1H104K
C155	0160-7798	1	CAP-FXD 0.1uF +-10% 50 V CER X7R	06352	C2012X7R1H104K
C156	0160-7798	1	CAP-FXD 0.1uF +-10% 50 V CER X7R	06352	C2012X7R1H104K
C157	0160-7798	1	CAP-FXD 0.1uF +-10% 50 V CER X7R	06352	C2012X7R1H104K
C158	0160-7798	1	CAP-FXD 0.1uF +-10% 50 V CER X7R	06352	C2012X7R1H104K
C159	0160-7798	1	CAP-FXD 0.1uF +-10% 50 V CER X7R	06352	C2012X7R1H104K
C160	0160-7798	1	CAP-FXD 0.1uF +-10% 50 V CER X7R	06352	C2012X7R1H104K
C161	0160-7798	1	CAP-FXD 0.1uF +-10% 50 V CER X7R	06352	C2012X7R1H104K
C162	0160-7798	1	CAP-FXD 0.1uF +-10% 50 V CER X7R	06352	C2012X7R1H104K
C163	0160-7798	1	CAP-FXD 0.1uF +-10% 50 V CER X7R	06352	C2012X7R1H104K
C164	0180-3751	1	CAP-FXD 1uF +-20% 35 V TA	00039	NRS105M35R8

**Indicates factory-selected value*

**HP Part Number E4406-60009
RF (continued)**

Reference Designator	HP Part Number	Qty	Description	Mfr Code	Mfr Part Number
C165	0180-3751	1	CAP-FXD 1uF +20% 35 V TA	00039	NRS105M35R8
C166	0180-3751	1	CAP-FXD 1uF +20% 35 V TA	00039	NRS105M35R8
C170	0180-3751	1	CAP-FXD 1uF +20% 35 V TA	00039	NRS105M35R8
C171	0180-3751	1	CAP-FXD 1uF +20% 35 V TA	00039	NRS105M35R8
C172	0180-3751	1	CAP-FXD 1uF +20% 35 V TA	00039	NRS105M35R8
C174	0180-3751	1	CAP-FXD 1uF +20% 35 V TA	00039	NRS105M35R8
C175	0160-7834	1	CAP-FXD 10pF +-5% 50 V CER C0G	02010	06035A100JAT
C177	0160-7834	1	CAP-FXD 10pF +-5% 50 V CER C0G	02010	06035A100JAT
C178	0160-7834	1	CAP-FXD 10pF +-5% 50 V CER C0G	02010	06035A100JAT
C179	0160-8426	1	CAP-FXD 10pF +-5% 50 V CER C0G	28480	0160-8426
C180	0160-7860	1	CAP-FXD 4.7pF +-5.31% 50 V CER C0G	02010	06035A4R7CAT
C181	0160-7860	1	CAP-FXD 4.7pF +-5.31% 50 V CER C0G	02010	06035A4R7CAT
C182	0160-7860	1	CAP-FXD 4.7pF +-5.31% 50 V CER C0G	02010	06035A4R7CAT
C183	0160-7860	1	CAP-FXD 4.7pF +-5.31% 50 V CER C0G	02010	06035A4R7CAT
C184	0160-7860	1	CAP-FXD 4.7pF +-5.31% 50 V CER C0G	02010	06035A4R7CAT
C185	0160-7860	1	CAP-FXD 4.7pF +-5.31% 50 V CER C0G	02010	06035A4R7CAT
C192	0160-8425	1	CAP-FXD 4.7pF 50 V CER C0G	28480	0160-8425
C195	0160-8424	1	CAP-FXD 39pF +-2% 50 V CER C0G	28480	0160-8424
C198	0160-8428	1	CAP-FXD 150pF +-5% 300 V PORC	28480	0160-8428
C199	0160-8429	1	CAP-FXD 300pF +-5% 200 V PORC	28480	0160-8429
C200	0160-8429	1	CAP-FXD 300pF +-5% 200 V PORC	28480	0160-8429
C444	0160-7798	1	CAP-FXD 0.1uF +-10% 50 V CER X7R	06352	C2012X7R1H104K
C522	0160-7748	1	CAP-FXD 1000pF +-10% 50 V CER X7R	02010	06035C102KAT
C523	0160-7849	1	CAP-FXD 220pF +-5% 50 V CER C0G	02010	06035A221JAT
C524	0160-7971	1	CAP-FXD 20pF +-5% 50 V CER C0G	02010	06035A200JAT
C525	0160-7971	1	CAP-FXD 20pF +-5% 50 V CER C0G	02010	06035A200JAT
C526	0160-7872	1	CAP-FXD 82pF +-5% 50 V CER C0G	02010	06035A820JAT
C527	0160-7973	1	CAP-FXD 30pF +-5% 50 V CER C0G	02010	06035A300JAT
C528	0160-7748	1	CAP-FXD 1000pF +-10% 50 V CER X7R	02010	06035C102KAT
C529	0160-7748	1	CAP-FXD 1000pF +-10% 50 V CER X7R	02010	06035C102KAT
C530	0160-7748	1	CAP-FXD 1000pF +-10% 50 V CER X7R	02010	06035C102KAT
C531	0160-7798	1	CAP-FXD 0.1uF +-10% 50 V CER X7R	06352	C2012X7R1H104K
C532	0160-7837	1	CAP-FXD 12pF +-5% 50 V CER C0G	02010	06035A120JAT
C533	0160-7835	1	CAP-FXD 100pF +-5% 50 V CER C0G	02010	06035A101JAT
C535	0160-7835	1	CAP-FXD 100pF +-5% 50 V CER C0G	02010	06035A101JAT

**HP Part Number E4406-60009
RF (continued)**

Reference Designator	HP Part Number	Qty	Description	Mfr Code	Mfr Part Number
C536	0160-7835	1	CAP-FXD 100pF +-5% 50 V CER C0G	02010	06035A101JAT
C537	0160-7835	1	CAP-FXD 100pF +-5% 50 V CER C0G	02010	06035A101JAT
C538	0160-7835	1	CAP-FXD 100pF +-5% 50 V CER C0G	02010	06035A101JAT
C539	0160-7835	1	CAP-FXD 100pF +-5% 50 V CER C0G	02010	06035A101JAT
C540	0160-7798	1	CAP-FXD 0.1uF +-10% 50 V CER X7R	06352	C2012X7R1H104K
C541	0160-7798	1	CAP-FXD 0.1uF +-10% 50 V CER X7R	06352	C2012X7R1H104K
C542	0160-7798	1	CAP-FXD 0.1uF +-10% 50 V CER X7R	06352	C2012X7R1H104K
C543	0160-7798	1	CAP-FXD 0.1uF +-10% 50 V CER X7R	06352	C2012X7R1H104K
C544	0160-7968	1	CAP-FXD 11pF +-5% 50 V CER C0G	02010	06035A110CAT
C545	0160-7834	1	CAP-FXD 10pF +-5% 50 V CER C0G	02010	06035A100JAT
C546	0160-7834	1	CAP-FXD 10pF +-5% 50 V CER C0G	02010	06035A100JAT
C547	0160-7968	1	CAP-FXD 11pF +-5% 50 V CER C0G	02010	06035A110CAT
C548	0160-7968	1	CAP-FXD 11pF +-5% 50 V CER C0G	02010	06035A110CAT
C549	0160-7834	1	CAP-FXD 10pF +-5% 50 V CER C0G	02010	06035A100JAT
C550	0160-7834	1	CAP-FXD 10pF +-5% 50 V CER C0G	02010	06035A100JAT
C551	0160-7968	1	CAP-FXD 11pF +-5% 50 V CER C0G	02010	06035A110CAT
C552	0160-7831	1	CAP-FXD 1.2pF +-20.83% 50 V CER C0G	02010	06035A1R2CAT
C553	0160-7831	1	CAP-FXD 1.2pF +-20.83% 50 V CER C0G	02010	06035A1R2CAT
C554	0160-7833	1	CAP-FXD 1.8pF +-13.89% 50 V CER C0G	02010	06035A1R8CAT
C555	0180-4274	1	CAP-FXD 4.7uF +-20% 50 V TA	02010	TAJD475M050
C556	0160-7965	1	CAP-FXD 6pF +-4.2% 50 V CER C0G	06352	C1608COG1H6R0C
C557	0160-7965	1	CAP-FXD 6pF +-4.2% 50 V CER C0G	06352	C1608COG1H6R0C
C558	0160-7965	1	CAP-FXD 6pF +-4.2% 50 V CER C0G	06352	C1608COG1H6R0C
C559	0160-7965	1	CAP-FXD 6pF +-4.2% 50 V CER C0G	06352	C1608COG1H6R0C
C560	0160-7965	1	CAP-FXD 6pF +-4.2% 50 V CER C0G	06352	C1608COG1H6R0C
C561	0160-7965	1	CAP-FXD 6pF +-4.2% 50 V CER C0G	06352	C1608COG1H6R0C
C562	0160-7965	1	CAP-FXD 6pF +-4.2% 50 V CER C0G	06352	C1608COG1H6R0C
C563	0160-7965	1	CAP-FXD 6pF +-4.2% 50 V CER C0G	06352	C1608COG1H6R0C
C564	0160-7967	1	CAP-FXD 9pF 50 V CER C0G	06352	C1608COG1H9R0C
C565	0160-7967	1	CAP-FXD 9pF 50 V CER C0G	06352	C1608COG1H9R0C
C566	0160-7967	1	CAP-FXD 9pF 50 V CER C0G	06352	C1608COG1H9R0C
C567	0160-7834	1	CAP-FXD 10pF +-5% 50 V CER C0G	02010	06035A100JAT
C568	0160-7835	1	CAP-FXD 100pF +-5% 50 V CER C0G	02010	06035A101JAT
C569	0160-7835	1	CAP-FXD 100pF +-5% 50 V CER C0G	02010	06035A101JAT
C570	0160-7835	1	CAP-FXD 100pF +-5% 50 V CER C0G	02010	06035A101JAT

**Indicates factory-selected value*

**HP Part Number E4406-60009
RF (continued)**

Reference Designator	HP Part Number	Qty	Description	Mfr Code	Mfr Part Number
C571	0160-7835	1	CAP-FXD 100pF +-5% 50 V CER C0G	02010	06035A101JAT
C573	0160-7798	1	CAP-FXD 0.1uF +-10% 50 V CER X7R	06352	C2012X7R1H104K
C574	0160-7798	1	CAP-FXD 0.1uF +-10% 50 V CER X7R	06352	C2012X7R1H104K
C575	0160-7798	1	CAP-FXD 0.1uF +-10% 50 V CER X7R	06352	C2012X7R1H104K
C576	0160-7798	1	CAP-FXD 0.1uF +-10% 50 V CER X7R	06352	C2012X7R1H104K
C577	0160-7798	1	CAP-FXD 0.1uF +-10% 50 V CER X7R	06352	C2012X7R1H104K
C578	0160-7798	1	CAP-FXD 0.1uF +-10% 50 V CER X7R	06352	C2012X7R1H104K
C579	0160-7967	1	CAP-FXD 9pF 50 V CER C0G	06352	C1608COG1H9R0C
C580	0160-7860	1	CAP-FXD 4.7pF +-5.31% 50 V CER C0G	02010	06035A4R7CAT
C581	0160-7860	1	CAP-FXD 4.7pF +-5.31% 50 V CER C0G	02010	06035A4R7CAT
C582	0160-7860	1	CAP-FXD 4.7pF +-5.31% 50 V CER C0G	02010	06035A4R7CAT
C583	0160-7860	1	CAP-FXD 4.7pF +-5.31% 50 V CER C0G	02010	06035A4R7CAT
C584	0160-7860	1	CAP-FXD 4.7pF +-5.31% 50 V CER C0G	02010	06035A4R7CAT
C585	0160-7860	1	CAP-FXD 4.7pF +-5.31% 50 V CER C0G	02010	06035A4R7CAT
C589	0160-7798	1	CAP-FXD 0.1uF +-10% 50 V CER X7R	06352	C2012X7R1H104K
C590	0160-7798	1	CAP-FXD 0.1uF +-10% 50 V CER X7R	06352	C2012X7R1H104K
C591	0160-7798	1	CAP-FXD 0.1uF +-10% 50 V CER X7R	06352	C2012X7R1H104K
C594	0160-8422	1	CAP-FXD 15pF +-5% 150 V PORC	28480	0160-8422
C595	0160-8430	1	CAP-FXD 8.2pF +-5% 150 V PORC	03553	ATC100A8R2JW150X
C596	0160-8422	1	CAP-FXD 15pF +-5% 150 V PORC	28480	0160-8422
C597	0160-7798	1	CAP-FXD 0.1uF +-10% 50 V CER X7R	06352	C2012X7R1H104K
C598	0160-7798	1	CAP-FXD 0.1uF +-10% 50 V CER X7R	06352	C2012X7R1H104K
C599	0160-7751	1	CAP-FXD 0.01uF +-10% 50 V CER X7R	02010	06035C103KAT
C614	0180-3751	1	CAP-FXD 1uF +-20% 35 V TA	00039	NRS105M35R8
C615	0180-3751	1	CAP-FXD 1uF +-20% 35 V TA	00039	NRS105M35R8
C616	0160-7798	1	CAP-FXD 0.1uF +-10% 50 V CER X7R	06352	C2012X7R1H104K
C617	0160-7798	1	CAP-FXD 0.1uF +-10% 50 V CER X7R	06352	C2012X7R1H104K
C618	0160-7852	1	CAP-FXD 2700pF +-10% 50 V CER X7R	02010	06035C272KAT
C619	0160-7967	1	CAP-FXD 9pF 50 V CER C0G	06352	C1608COG1H9R0C
C620	0160-7968	1	CAP-FXD 11pF +-5% 50 V CER C0G	02010	06035A110CAT
C621	0160-7832	1	CAP-FXD 1.5pF +-16.67% 50 V CER C0G	02010	06035A1R5CAT
C622	0160-7749	1	CAP-FXD 22pF +-5% 50 V CER C0G	02010	06035A220JAT
C623	0160-7970	1	CAP-FXD 16pF +-5% 50 V CER C0G	06352	C1608COG1H160J
C624	0160-8423	1	CAP-FXD 2.7pF 150 V PORC	28480	0160-8423
C626	0160-7835	1	CAP-FXD 100pF +-5% 50 V CER C0G	02010	06035A101JAT

**HP Part Number E4406-60009
RF (continued)**

Reference Designator	HP Part Number	Qty	Description	Mfr Code	Mfr Part Number
C627	0160-7798	1	CAP-FXD 0.1uF +-10% 50 V CER X7R	06352	C2012X7R1H104K
C628	0160-7798	1	CAP-FXD 0.1uF +-10% 50 V CER X7R	06352	C2012X7R1H104K
C629	0160-7781	1	CAP-FXD 2200pF +-10% 50 V CER X7R	02010	06035C222KAT
C630	0160-7751	1	CAP-FXD 0.01uF +-10% 50 V CER X7R	02010	06035C103KAT
C631	0160-7751	1	CAP-FXD 0.01uF +-10% 50 V CER X7R	02010	06035C103KAT
C632	0160-7751	1	CAP-FXD 0.01uF +-10% 50 V CER X7R	02010	06035C103KAT
C633	0160-7748	1	CAP-FXD 1000pF +-10% 50 V CER X7R	02010	06035C102KAT
C634	0160-7748	1	CAP-FXD 1000pF +-10% 50 V CER X7R	02010	06035C102KAT
C635	0160-7981	1	CAP-FXD 160pF +-5% 50 V CER C0G	06352	C1608COG1H161J
C636	0160-7989	1	CAP-FXD 36pF +-5% 50 V CER C0G	06352	C1608COG1H360J
C638	0160-7973	1	CAP-FXD 30pF +-5% 50 V CER C0G	02010	06035A300JAT
C639	0160-7792	1	CAP-FXD 18pF +-5% 50 V CER C0G	02010	06035A180JAT
C640	0160-7868	1	CAP-FXD 68pF +-5% 50 V CER C0G	02010	06035A680JAT
C641	0160-7872	1	CAP-FXD 82pF +-5% 50 V CER C0G	02010	06035A820JAT
C642	0160-7864	1	CAP-FXD 56pF +-5% 50 V CER C0G	02010	06035A560JAT
C644	0160-7841	1	CAP-FXD 15pF +-5% 50 V CER C0G	02010	06035A150JAT
C645	0160-7840	1	CAP-FXD 1200pF +-10% 50 V CER X7R	02010	06035C122KAT
C646	0160-7840	1	CAP-FXD 1200pF +-10% 50 V CER X7R	02010	06035C122KAT
C647	0160-7840	1	CAP-FXD 1200pF +-10% 50 V CER X7R	02010	06035C122KAT
C648	0160-7840	1	CAP-FXD 1200pF +-10% 50 V CER X7R	02010	06035C122KAT
C651	0160-7751	1	CAP-FXD 0.01uF +-10% 50 V CER X7R	02010	06035C103KAT
C652	0160-7708	1	CAP-FXD 1000pF +-5% 50 V CER C0G	02010	08055A102JATRA
C653	0160-7751	1	CAP-FXD 0.01uF +-10% 50 V CER X7R	02010	06035C103KAT
C654	0160-7751	1	CAP-FXD 0.01uF +-10% 50 V CER X7R	02010	06035C103KAT
C655	0160-7751	1	CAP-FXD 0.01uF +-10% 50 V CER X7R	02010	06035C103KAT
C656	0160-7751	1	CAP-FXD 0.01uF +-10% 50 V CER X7R	02010	06035C103KAT
C657	0160-7751	1	CAP-FXD 0.01uF +-10% 50 V CER X7R	02010	06035C103KAT
C658	0160-7751	1	CAP-FXD 0.01uF +-10% 50 V CER X7R	02010	06035C103KAT
C659	0160-7751	1	CAP-FXD 0.01uF +-10% 50 V CER X7R	02010	06035C103KAT
C660	0160-7751	1	CAP-FXD 0.01uF +-10% 50 V CER X7R	02010	06035C103KAT
C661	0160-7751	1	CAP-FXD 0.01uF +-10% 50 V CER X7R	02010	06035C103KAT
C662	0160-7751	1	CAP-FXD 0.01uF +-10% 50 V CER X7R	02010	06035C103KAT
C664	0160-7708	1	CAP-FXD 1000pF +-5% 50 V CER C0G	02010	08055A102JATRA
C665	0160-7708	1	CAP-FXD 1000pF +-5% 50 V CER C0G	02010	08055A102JATRA
C666	0160-7984	1	CAP-FXD 300pF +-5% 50 V CER C0G	06352	C1608COG1H301J

**Indicates factory-selected value*

**HP Part Number E4406-60009
RF (continued)**

Reference Designator	HP Part Number	Qty	Description	Mfr Code	Mfr Part Number
C 667	0160-7751	1	CAP-FXD 0.01uF +-10% 50 V CER X7R	02010	06035C103KAT
C 668	0160-7751	1	CAP-FXD 0.01uF +-10% 50 V CER X7R	02010	06035C103KAT
C 669	0160-7751	1	CAP-FXD 0.01uF +-10% 50 V CER X7R	02010	06035C103KAT
C 670	0160-7751	1	CAP-FXD 0.01uF +-10% 50 V CER X7R	02010	06035C103KAT
C 671	0160-7751	1	CAP-FXD 0.01uF +-10% 50 V CER X7R	02010	06035C103KAT
C 672	0160-7751	1	CAP-FXD 0.01uF +-10% 50 V CER X7R	02010	06035C103KAT
C 673	0160-7950	1	CAP-FXD 0.068uF +-10% 50 V CER X7R	06352	C2012X7R1H683K
C 674	0160-7751	1	CAP-FXD 0.01uF +-10% 50 V CER X7R	02010	06035C103KAT
C 675	0160-7748	1	CAP-FXD 1000pF +-10% 50 V CER X7R	02010	06035C102KAT
C 676	0160-7748	1	CAP-FXD 1000pF +-10% 50 V CER X7R	02010	06035C102KAT
C 677	0160-7748	1	CAP-FXD 1000pF +-10% 50 V CER X7R	02010	06035C102KAT
C 678	0160-7748	1	CAP-FXD 1000pF +-10% 50 V CER X7R	02010	06035C102KAT
C 679	0160-7748	1	CAP-FXD 1000pF +-10% 50 V CER X7R	02010	06035C102KAT
C 680	0160-7748	1	CAP-FXD 1000pF +-10% 50 V CER X7R	02010	06035C102KAT
C 681	0160-7748	1	CAP-FXD 1000pF +-10% 50 V CER X7R	02010	06035C102KAT
C 682	0160-7748	1	CAP-FXD 1000pF +-10% 50 V CER X7R	02010	06035C102KAT
C 683	0160-7748	1	CAP-FXD 1000pF +-10% 50 V CER X7R	02010	06035C102KAT
C 684	0160-7748	1	CAP-FXD 1000pF +-10% 50 V CER X7R	02010	06035C102KAT
C 685	0160-7748	1	CAP-FXD 1000pF +-10% 50 V CER X7R	02010	06035C102KAT
C 686	0160-7748	1	CAP-FXD 1000pF +-10% 50 V CER X7R	02010	06035C102KAT
C 687	0160-7748	1	CAP-FXD 1000pF +-10% 50 V CER X7R	02010	06035C102KAT
C 688	0160-7748	1	CAP-FXD 1000pF +-10% 50 V CER X7R	02010	06035C102KAT
C 689	0160-7841	1	CAP-FXD 15pF +-5% 50 V CER C0G	02010	06035A150JAT
C 690	0160-7841	1	CAP-FXD 15pF +-5% 50 V CER C0G	02010	06035A150JAT
C 691	0160-7841	1	CAP-FXD 15pF +-5% 50 V CER C0G	02010	06035A150JAT
C 692	0160-7841	1	CAP-FXD 15pF +-5% 50 V CER C0G	02010	06035A150JAT
C 693	0160-7841	1	CAP-FXD 15pF +-5% 50 V CER C0G	02010	06035A150JAT
C 694	0160-7841	1	CAP-FXD 15pF +-5% 50 V CER C0G	02010	06035A150JAT
C 695	0160-7841	1	CAP-FXD 15pF +-5% 50 V CER C0G	02010	06035A150JAT
C 696	0160-7841	1	CAP-FXD 15pF +-5% 50 V CER C0G	02010	06035A150JAT
C 697	0160-7841	1	CAP-FXD 15pF +-5% 50 V CER C0G	02010	06035A150JAT
C 698	0160-7841	1	CAP-FXD 15pF +-5% 50 V CER C0G	02010	06035A150JAT
C 699	0160-7841	1	CAP-FXD 15pF +-5% 50 V CER C0G	02010	06035A150JAT
C 700	0160-7841	1	CAP-FXD 15pF +-5% 50 V CER C0G	02010	06035A150JAT
C 701	0160-7841	1	CAP-FXD 15pF +-5% 50 V CER C0G	02010	06035A150JAT

**HP Part Number E4406-60009
RF (continued)**

Reference Designator	HP Part Number	Qty	Description	Mfr Code	Mfr Part Number
C702	0160-7841	1	CAP-FXD 15pF +-5% 50 V CER C0G	02010	06035A150JAT
C703	0160-7841	1	CAP-FXD 15pF +-5% 50 V CER C0G	02010	06035A150JAT
C704	0160-7841	1	CAP-FXD 15pF +-5% 50 V CER C0G	02010	06035A150JAT
C705	0160-7841	1	CAP-FXD 15pF +-5% 50 V CER C0G	02010	06035A150JAT
C706	0160-7841	1	CAP-FXD 15pF +-5% 50 V CER C0G	02010	06035A150JAT
C707	0160-7841	1	CAP-FXD 15pF +-5% 50 V CER C0G	02010	06035A150JAT
C708	0160-7841	1	CAP-FXD 15pF +-5% 50 V CER C0G	02010	06035A150JAT
C709	0160-7841	1	CAP-FXD 15pF +-5% 50 V CER C0G	02010	06035A150JAT
C710	0160-7841	1	CAP-FXD 15pF +-5% 50 V CER C0G	02010	06035A150JAT
C711	0160-7841	1	CAP-FXD 15pF +-5% 50 V CER C0G	02010	06035A150JAT
C712	0160-7841	1	CAP-FXD 15pF +-5% 50 V CER C0G	02010	06035A150JAT
C713	0160-7841	1	CAP-FXD 15pF +-5% 50 V CER C0G	02010	06035A150JAT
C714	0160-7841	1	CAP-FXD 15pF +-5% 50 V CER C0G	02010	06035A150JAT
C715	0160-7841	1	CAP-FXD 15pF +-5% 50 V CER C0G	02010	06035A150JAT
C716	0160-7841	1	CAP-FXD 15pF +-5% 50 V CER C0G	02010	06035A150JAT
C717	0160-7841	1	CAP-FXD 15pF +-5% 50 V CER C0G	02010	06035A150JAT
C718	0160-7841	1	CAP-FXD 15pF +-5% 50 V CER C0G	02010	06035A150JAT
C719	0160-7841	1	CAP-FXD 15pF +-5% 50 V CER C0G	02010	06035A150JAT
C720	0160-7841	1	CAP-FXD 15pF +-5% 50 V CER C0G	02010	06035A150JAT
C721	0160-7841	1	CAP-FXD 15pF +-5% 50 V CER C0G	02010	06035A150JAT
C722	0160-7841	1	CAP-FXD 15pF +-5% 50 V CER C0G	02010	06035A150JAT
C723	0160-7841	1	CAP-FXD 15pF +-5% 50 V CER C0G	02010	06035A150JAT
C724	0160-7841	1	CAP-FXD 15pF +-5% 50 V CER C0G	02010	06035A150JAT
C725	0160-7841	1	CAP-FXD 15pF +-5% 50 V CER C0G	02010	06035A150JAT
C728	0160-7834	1	CAP-FXD 10pF +-5% 50 V CER C0G	02010	06035A100JAT
C729	0160-7834	1	CAP-FXD 10pF +-5% 50 V CER C0G	02010	06035A100JAT
C730	0160-7834	1	CAP-FXD 10pF +-5% 50 V CER C0G	02010	06035A100JAT
C731	0160-7834	1	CAP-FXD 10pF +-5% 50 V CER C0G	02010	06035A100JAT
C732	0160-7798	1	CAP-FXD 0.1uF +-10% 50 V CER X7R	06352	C2012X7R1H104K
C733	0160-7798	1	CAP-FXD 0.1uF +-10% 50 V CER X7R	06352	C2012X7R1H104K
C734	0160-7748	1	CAP-FXD 1000pF +-10% 50 V CER X7R	02010	06035C102KAT
C735	0160-7748	1	CAP-FXD 1000pF +-10% 50 V CER X7R	02010	06035C102KAT
C736	0160-7748	1	CAP-FXD 1000pF +-10% 50 V CER X7R	02010	06035C102KAT
C737	0160-7748	1	CAP-FXD 1000pF +-10% 50 V CER X7R	02010	06035C102KAT
C738	0160-7748	1	CAP-FXD 1000pF +-10% 50 V CER X7R	02010	06035C102KAT

**Indicates factory-selected value*

**HP Part Number E4406-60009
RF (continued)**

Reference Designator	HP Part Number	Qty	Description	Mfr Code	Mfr Part Number
C739	0160-7748	1	CAP-FXD 1000pF +-10% 50 V CER X7R	02010	06035C102KAT
C740	0160-7748	1	CAP-FXD 1000pF +-10% 50 V CER X7R	02010	06035C102KAT
C741	0160-7748	1	CAP-FXD 1000pF +-10% 50 V CER X7R	02010	06035C102KAT
C742	0160-7708	1	CAP-FXD 1000pF +-5% 50 V CER C0G	02010	08055A102JATRA
C743	0160-7708	1	CAP-FXD 1000pF +-5% 50 V CER C0G	02010	08055A102JATRA
C744	0160-7708	1	CAP-FXD 1000pF +-5% 50 V CER C0G	02010	08055A102JATRA
C745	0160-7708	1	CAP-FXD 1000pF +-5% 50 V CER C0G	02010	08055A102JATRA
C746	0160-7708	1	CAP-FXD 1000pF +-5% 50 V CER C0G	02010	08055A102JATRA
C747	0160-7708	1	CAP-FXD 1000pF +-5% 50 V CER C0G	02010	08055A102JATRA
C748	0160-7708	1	CAP-FXD 1000pF +-5% 50 V CER C0G	02010	08055A102JATRA
C749	0160-7708	1	CAP-FXD 1000pF +-5% 50 V CER C0G	02010	08055A102JATRA
C750	0160-7751	1	CAP-FXD 0.01uF +-10% 50 V CER X7R	02010	06035C103KAT
CR1	1901-1192	1	DIODE-PIN 35V 100MA TO-236 (SOT-23)	01542	1901-1192
CR2	1901-1192	1	DIODE-PIN 35V 100MA TO-236 (SOT-23)	01542	1901-1192
CR3	1901-1192	1	DIODE-PIN 35V 100MA TO-236 (SOT-23)	01542	1901-1192
CR4	1901-1192	1	DIODE-PIN 35V 100MA TO-236 (SOT-23)	01542	1901-1192
CR5	1901-1192	1	DIODE-PIN 35V 100MA TO-236 (SOT-23)	01542	1901-1192
CR6	1901-1192	1	DIODE-PIN 35V 100MA TO-236 (SOT-23)	01542	1901-1192
CR7	1901-1192	1	DIODE-PIN 35V 100MA TO-236 (SOT-23)	01542	1901-1192
CR8	1900-0202	1	DIODE-SCHOTTKY SM SIG	01542	1900-0202
CR11	1900-0100	1	DIODE-PIN	01542	1900-0100
CR12	1900-0202	1	DIODE-SCHOTTKY SM SIG	01542	1900-0202
CR13	0122-0172	1	DIODE-VVC 29PF 10% C 3/C25-MIN=5	02037	MMBV109LT1
CR14	0122-0172	1	DIODE-VVC 29PF 10% C 3/C25-MIN=5	02037	MMBV109LT1
CR15	0122-0172	1	DIODE-VVC 29PF 10% C 3/C25-MIN=5	02037	MMBV109LT1
CR16	0122-0172	1	DIODE-VVC 29PF 10% C 3/C25-MIN=5	02037	MMBV109LT1
CR17	0122-0172	1	DIODE-VVC 29PF 10% C 3/C25-MIN=5	02037	MMBV109LT1
CR18	0122-0172	1	DIODE-VVC 29PF 10% C 3/C25-MIN=5	02037	MMBV109LT1
CR19	0122-0172	1	DIODE-VVC 29PF 10% C 3/C25-MIN=5	02037	MMBV109LT1
CR20	0122-0172	1	DIODE-VVC 29PF 10% C 3/C25-MIN=5	02037	MMBV109LT1
CR21	1900-0245	1	DIODE-SCHOTTKY SM SIG	28480	1900-0245
CR22	1901-1227	1	DIODE-SWITCHING 75V 200MA 6NS TO-236	02910	BAS16
CR23	1901-1227	1	DIODE-SWITCHING 75V 200MA 6NS TO-236	02910	BAS16
E2	9170-1584	1	CORE-SHIELDING BEAD	06352	MMZ2012Y102B
E3	9170-1584	1	CORE-SHIELDING BEAD	06352	MMZ2012Y102B

**HP Part Number E4406-60009
RF (continued)**

Reference Designator	HP Part Number	Qty	Description	Mfr Code	Mfr Part Number
E9	9170-1584	1	CORE-SHIELDING BEAD	06352	MMZ2012Y102B
E10	9170-1584	1	CORE-SHIELDING BEAD	06352	MMZ2012Y102B
E11	9170-1418	1	CORE-SHIELDING BEAD	06352	HF30ACB-453215
E12	9170-1418	1	CORE-SHIELDING BEAD	06352	HF30ACB-453215
E13	9170-1418	1	CORE-SHIELDING BEAD	06352	HF30ACB-453215
E14	9170-1418	1	CORE-SHIELDING BEAD	06352	HF30ACB-453215
E15	9170-1418	1	CORE-SHIELDING BEAD	06352	HF30ACB-453215
E16	9170-1418	1	CORE-SHIELDING BEAD	06352	HF30ACB-453215
E17	9170-1418	1	CORE-SHIELDING BEAD	06352	HF30ACB-453215
E18	9170-1418	1	CORE-SHIELDING BEAD	06352	HF30ACB-453215
E19	9170-1418	1	CORE-SHIELDING BEAD	06352	HF30ACB-453215
E20	9170-1418	1	CORE-SHIELDING BEAD	06352	HF30ACB-453215
E21	9170-1418	1	CORE-SHIELDING BEAD	06352	HF30ACB-453215
E22	9170-1418	1	CORE-SHIELDING BEAD	06352	HF30ACB-453215
E23	9170-1418	1	CORE-SHIELDING BEAD	06352	HF30ACB-453215
E24	9170-1418	1	CORE-SHIELDING BEAD	06352	HF30ACB-453215
E25	9170-1418	1	CORE-SHIELDING BEAD	06352	HF30ACB-453215
E26	9170-1418	1	CORE-SHIELDING BEAD	06352	HF30ACB-453215
E27	9170-1418	1	CORE-SHIELDING BEAD	06352	HF30ACB-453215
E29	9170-1418	1	CORE-SHIELDING BEAD	06352	HF30ACB-453215
E30	9170-1418	1	CORE-SHIELDING BEAD	06352	HF30ACB-453215
E31	9170-1418	1	CORE-SHIELDING BEAD	06352	HF30ACB-453215
E38	9170-1418	1	CORE-SHIELDING BEAD	06352	HF30ACB-453215
E39	9170-1418	1	CORE-SHIELDING BEAD	06352	HF30ACB-453215
E40	9170-1418	1	CORE-SHIELDING BEAD	06352	HF30ACB-453215
E41	9170-1418	1	CORE-SHIELDING BEAD	06352	HF30ACB-453215
E42	9170-1418	1	CORE-SHIELDING BEAD	06352	HF30ACB-453215
E43	9170-1418	1	CORE-SHIELDING BEAD	06352	HF30ACB-453215
E44	9170-1418	1	CORE-SHIELDING BEAD	06352	HF30ACB-453215
E45	9170-1418	1	CORE-SHIELDING BEAD	06352	HF30ACB-453215
E46	9170-1418	1	CORE-SHIELDING BEAD	06352	HF30ACB-453215
E47	9170-1418	1	CORE-SHIELDING BEAD	06352	HF30ACB-453215
E48	9170-1418	1	CORE-SHIELDING BEAD	06352	HF30ACB-453215
E49	9170-1418	1	CORE-SHIELDING BEAD	06352	HF30ACB-453215
E50	9170-1418	1	CORE-SHIELDING BEAD	06352	HF30ACB-453215

**Indicates factory-selected value*

**HP Part Number E4406-60009
RF (continued)**

Reference Designator	HP Part Number	Qty	Description	Mfr Code	Mfr Part Number
E51	9170-1418	1	CORE-SHIELDING BEAD	06352	HF30ACB-453215
FL4	9135-0461	1	FILTER-SUPPRESSION EMI; SMT; WORKING	28480	9135-0461
FL6	9135-0461	1	FILTER-SUPPRESSION EMI; SMT; WORKING	28480	9135-0461
FL10	9135-0461	1	FILTER-SUPPRESSION EMI; SMT; WORKING	28480	9135-0461
FL11	9135-0461	1	FILTER-SUPPRESSION EMI; SMT; WORKING	28480	9135-0461
FL12	9135-0461	1	FILTER-SUPPRESSION EMI; SMT; WORKING	28480	9135-0461
FL16	9135-0461	1	FILTER-SUPPRESSION EMI; SMT; WORKING	28480	9135-0461
FL17	9135-0461	1	FILTER-SUPPRESSION EMI; SMT; WORKING	28480	9135-0461
FL18	9135-0461	1	FILTER-SUPPRESSION EMI; SMT; WORKING	28480	9135-0461
J1	1252-1506	1	CONN-POST TYPE .100-PIN-SPCG-MTG-END	01380	535512-2
J2	1252-1506	1	CONN-POST TYPE .100-PIN-SPCG-MTG-END	01380	535512-2
J3	1252-6521	1	CONN-POST TYPE .100-PIN-SPCG-MTG-END	01380	2-535512-2
L8	9140-1803	1	INDUCTOR 12.5nH +5% -5%	01886	A04T
L9	9140-1803	1	INDUCTOR 12.5nH +5% -5%	01886	A04T
L10	9140-1803	1	INDUCTOR 12.5nH +5% -5%	01886	A04T
L11	9140-1803	1	INDUCTOR 12.5nH +5% -5%	01886	A04T
L12	9140-1803	1	INDUCTOR 12.5nH +5% -5%	01886	A04T
L13	9140-1803	1	INDUCTOR 12.5nH +5% -5%	01886	A04T
L14	9140-1803	1	INDUCTOR 12.5nH +5% -5%	01886	A04T
L15	9140-1803	1	INDUCTOR 12.5nH +5% -5%	01886	A04T
L24	9140-1803	1	INDUCTOR 12.5nH +5% -5%	01886	A04T
L25	9140-1537	1	INDUCTOR 22nH +-10% 2.8W-mmX3.4LG-mm	06352	NL322522T-022K
L26	9140-1204	1	INDUCTOR 68nH +-5% 2.8W-mmX3.4LG-mm Q=27	06352	NL322522T-068J
L32	9170-1418	1	CORE-SHIELDING BEAD	06352	HF30ACB-453215
L33	9170-1418	1	CORE-SHIELDING BEAD	06352	HF30ACB-453215
L34	9170-1418	1	CORE-SHIELDING BEAD	06352	HF30ACB-453215
L35	9170-1418	1	CORE-SHIELDING BEAD	06352	HF30ACB-453215
L36	9170-1418	1	CORE-SHIELDING BEAD	06352	HF30ACB-453215
L42	9170-1584	1	CORE-SHIELDING BEAD	06352	MMZ2012Y102B
L43	9170-1584	1	CORE-SHIELDING BEAD	06352	MMZ2012Y102B
L44	9170-1584	1	CORE-SHIELDING BEAD	06352	MMZ2012Y102B
L45	9170-1584	1	CORE-SHIELDING BEAD	06352	MMZ2012Y102B
L46	9170-1584	1	CORE-SHIELDING BEAD	06352	MMZ2012Y102B
L51	9170-1584	1	CORE-SHIELDING BEAD	06352	MMZ2012Y102B
L52	9170-1584	1	CORE-SHIELDING BEAD	06352	MMZ2012Y102B

**HP Part Number E4406-60009
RF (continued)**

Reference Designator	HP Part Number	Qty	Description	Mfr Code	Mfr Part Number
L53	9170-1584	1	CORE-SHIELDING BEAD	06352	MMZ2012Y102B
L54	9170-1584	1	CORE-SHIELDING BEAD	06352	MMZ2012Y102B
L59	9170-1584	1	CORE-SHIELDING BEAD	06352	MMZ2012Y102B
L60	9170-1584	1	CORE-SHIELDING BEAD	06352	MMZ2012Y102B
L61	9170-1584	1	CORE-SHIELDING BEAD	06352	MMZ2012Y102B
L62	9170-1584	1	CORE-SHIELDING BEAD	06352	MMZ2012Y102B
L63	9170-1584	1	CORE-SHIELDING BEAD	06352	MMZ2012Y102B
L65	9170-1584	1	CORE-SHIELDING BEAD	06352	MMZ2012Y102B
L66	9170-1584	1	CORE-SHIELDING BEAD	06352	MMZ2012Y102B
L67	9170-1418	1	CORE-SHIELDING BEAD	06352	HF30ACB-453215
L68	9140-1784	1	INDUCTOR 100uH +-20% 9.4W-mmX12.95LG-mm	01886	DO3316-104
L69	9140-1784	1	INDUCTOR 100uH +-20% 9.4W-mmX12.95LG-mm	01886	DO3316-104
L70	9140-1784	1	INDUCTOR 100uH +-20% 9.4W-mmX12.95LG-mm	01886	DO3316-104
L71	9140-1784	1	INDUCTOR 100uH +-20% 9.4W-mmX12.95LG-mm	01886	DO3316-104
L72	9140-1661	1	INDUCTOR 35.5nH +5% -5% .12D-INX.27LG-IN	01886	B09T
L73	9140-1121	1	INDUCTOR 100uH +-5% 3.4W-mmX4.8LG-mm	06352	NL453232-101J-3
L74	9140-1121	1	INDUCTOR 100uH +-5% 3.4W-mmX4.8LG-mm	06352	NL453232-101J-3
L75	9140-1121	1	INDUCTOR 100uH +-5% 3.4W-mmX4.8LG-mm	06352	NL453232-101J-3
L79	9140-1121	1	INDUCTOR 100uH +-5% 3.4W-mmX4.8LG-mm	06352	NL453232-101J-3
L80	9140-1121	1	INDUCTOR 100uH +-5% 3.4W-mmX4.8LG-mm	06352	NL453232-101J-3
L81	9140-1121	1	INDUCTOR 100uH +-5% 3.4W-mmX4.8LG-mm	06352	NL453232-101J-3
L83	9140-1121	1	INDUCTOR 100uH +-5% 3.4W-mmX4.8LG-mm	06352	NL453232-101J-3
L84	9140-1796	1	INDUCTOR 27nH +10% -10%	01886	1008CS-270XKB
L85	9140-1793	1	INDUCTOR 15nH +20% -20%	01886	1008CS-150XMBC
L88	9140-1202	1	INDUCTOR 47nH +-5% 2.8W-mmX3.4LG-mm Q=26	06352	NL322522T-047J
L89	9140-1427	1	INDUCTOR 120nH +-5% 2.8W-mmX3.4LG-mm	09891	KL32TER12J
L90	9140-1104	1	INDUCTOR 820nH +-5% 2.8W-mmX3.4LG-mm	09891	KL32TER82J
L91	9140-1103	1	INDUCTOR 680nH +-5% 2.8W-mmX3.4LG-mm	06352	NL322522T-R68J
L92	9140-1100	1	INDUCTOR 330nH +-5% 2.8W-mmX3.4LG-mm	09891	KL32TER33J
L93	9140-1803	1	INDUCTOR 12.5nH +5% -5%	01886	A04T
L94	9140-1803	1	INDUCTOR 12.5nH +5% -5%	01886	A04T
L95	9140-1803	1	INDUCTOR 12.5nH +5% -5%	01886	A04T
L96	9140-1803	1	INDUCTOR 12.5nH +5% -5%	01886	A04T
L97	9140-1803	1	INDUCTOR 12.5nH +5% -5%	01886	A04T
L98	9140-1803	1	INDUCTOR 12.5nH +5% -5%	01886	A04T

**Indicates factory-selected value*

**HP Part Number E4406-60009
RF (continued)**

Reference Designator	HP Part Number	Qty	Description	Mfr Code	Mfr Part Number
L99	9140-1803	1	INDUCTOR 12.5nH +5% -5%	01886	A04T
L100	9140-1803	1	INDUCTOR 12.5nH +5% -5%	01886	A04T
L101	9170-1418	1	CORE-SHIELDING BEAD	06352	HF30ACB-453215
L102	9170-1418	1	CORE-SHIELDING BEAD	06352	HF30ACB-453215
L103	9140-1121	1	INDUCTOR 100uH +-5% 3.4W-mmX4.8LG-mm	06352	NL453232-101J-3
L121	9140-1791	1	INDUCTOR 10nH +10% -10%	01886	1008CS-100XKB
L124	9140-1803	1	INDUCTOR 12.5nH +5% -5%	01886	A04T
L125	9140-1803	1	INDUCTOR 12.5nH +5% -5%	01886	A04T
L126	9140-1803	1	INDUCTOR 12.5nH +5% -5%	01886	A04T
L127	9140-1803	1	INDUCTOR 12.5nH +5% -5%	01886	A04T
L128	9140-2050	1	INDUCTOR 220nH +2% -2%	01886	1008CS-221XGBC
L129	9140-2041	1	INDUCTOR 1uH +2% -2% 2.79W-mmX2.92LG-mm	01886	1008CS-102XGBC
L130	9140-2193	1	INDUCTOR 330nH +2% -2%	28480	9140-2193
L132	9140-1194	1	INDUCTOR 10nH +-10% 2.8W-mmX3.4LG-mm	06352	NL322522T-010K
L134	9140-1115	1	INDUCTOR 22uH +-5% 3.4W-mmX4.8LG-mm Q=50	06352	NL453232-220J-3
L135	9140-1115	1	INDUCTOR 22uH +-5% 3.4W-mmX4.8LG-mm Q=50	06352	NL453232-220J-3
L136	9140-1115	1	INDUCTOR 22uH +-5% 3.4W-mmX4.8LG-mm Q=50	06352	NL453232-220J-3
L137	9140-2317	1	INDUCTOR 560nH +2% -2%	28480	9140-2317
L138	9140-2044	1	INDUCTOR 470nH +2% -2%	01886	1008CS-471XGBC
NONE	0515-0383	1	SCREW-MACHINE ASSEMBLY M4 X 0.7 16MM-LG	05610	0515-0383
NONE	5002-2401	1	EXT LVL RIGHT	28480	5002-2401
NONE	5002-2402	1	EXT LVL LEFT	28480	5002-2402
NONE	E4406-60019	1	SHLD AY BOT RF	28480	E4406-60019
NONE	E4406-60029	1	SHLD AY TOP RF	28480	E4406-60029
Q1	1854-1278	1	TRANSISTOR NPN SI TO-261AA (SOT-223)	02910	BFG97
Q3	1854-1278	1	TRANSISTOR NPN SI TO-261AA (SOT-223)	02910	BFG97
Q4	1854-1054	1	TRANSISTOR NPN SI SOT-89 (TO-243AB)	02910	BFQ19
Q6	1854-1054	1	TRANSISTOR NPN SI SOT-89 (TO-243AB)	02910	BFQ19
Q9	1854-1083	1	TRANSISTOR NPN SI SOT-23 (TO-236AB)	02037	MMBR5179LT1
Q10	1854-1083	1	TRANSISTOR NPN SI SOT-23 (TO-236AB)	02037	MMBR5179LT1
Q11	1854-1083	1	TRANSISTOR NPN SI SOT-23 (TO-236AB)	02037	MMBR5179LT1
Q12	1854-1014	1	TRANSISTOR NPN SI TO-236AA PD=350MW	02037	MMBT6429
Q13	1854-1083	1	TRANSISTOR NPN SI SOT-23 (TO-236AB)	02037	MMBR5179LT1
Q14	1854-1278	1	TRANSISTOR NPN SI TO-261AA (SOT-223)	02910	BFG97
Q15	1854-1278	1	TRANSISTOR NPN SI TO-261AA (SOT-223)	02910	BFG97

**HP Part Number E4406-60009
RF (continued)**

Reference Designator	HP Part Number	Qty	Description	Mfr Code	Mfr Part Number
Q16	1854-1278	1	TRANSISTOR NPN SI TO-261AA (SOT-223)	02910	BFG97
Q17	1854-1278	1	TRANSISTOR NPN SI TO-261AA (SOT-223)	02910	BFG97
Q18	1854-1278	1	TRANSISTOR NPN SI TO-261AA (SOT-223)	02910	BFG97
Q19	1853-0567	1	TRANSISTOR PNP SI SOT-23 (TO-236AB)	02037	MMBT3906LT1
R116	0699-3965	1	RESISTOR 6.19K +-1% .063W TKF TC=0+-200	00746	MCR03-F-6191
R117	0699-4003	1	RESISTOR 261K +-1% .063W TKF TC=0+-200	00746	MCR03-F-2613
R119	0699-3962	1	RESISTOR 4.22K +-1% .063W TKF TC=0+-200	00746	MCR03-F-4221
R120	0699-3962	1	RESISTOR 4.22K +-1% .063W TKF TC=0+-200	00746	MCR03-F-4221
R121	0699-3958	1	RESISTOR 2.87K +-1% .063W TKF TC=0+-200	00746	MCR03-F-2871
R122	0699-3958	1	RESISTOR 2.87K +-1% .063W TKF TC=0+-200	00746	MCR03-F-2871
R123	0699-3958	1	RESISTOR 2.87K +-1% .063W TKF TC=0+-200	00746	MCR03-F-2871
R124	0699-3979	1	RESISTOR 23.7K +-1% .063W TKF TC=0+-200	00746	MCR03-F-2372
R125	0699-3908	1	RESISTOR 19.6 +-1% .063W TKF TC=0+-200	00746	MCR03-F-19R6
R126	0699-3908	1	RESISTOR 19.6 +-1% .063W TKF TC=0+-200	00746	MCR03-F-19R6
R127	0699-3905	1	RESISTOR 14.7 +-1% .063W TKF TC=0+-200	00746	MCR03-F-14R7
R128	0699-3905	1	RESISTOR 14.7 +-1% .063W TKF TC=0+-200	00746	MCR03-F-14R7
R129	0699-3924	1	RESISTOR 100 +-1% .063W TKF TC=0+-200	00746	MCR03-F-1000
R130	0699-3931	1	RESISTOR 196 +-1% .063W TKF TC=0+-200	06337	232270461961
R132	0699-4365	1	RESISTOR 6.8 +-5% .063W TKF TC=0+-500	00746	MCR03-J-6R8
R133	0699-3952	1	RESISTOR 1.62K +-1% .063W TKF TC=0+-200	00746	MCR03-F-1621
R134	0699-3961	1	RESISTOR 3.83K +-1% .063W TKF TC=0+-200	00746	MCR03-F-3831
R139	0699-3922	1	RESISTOR 82.5 +-1% .063W TKF TC=0+-200	06337	232270468259
R143	0699-3962	1	RESISTOR 4.22K +-1% .063W TKF TC=0+-200	00746	MCR03-F-4221
R144	0699-3956	1	RESISTOR 2.37K +-1% .063W TKF TC=0+-200	06337	2322704X2372
R152	0699-3941	1	RESISTOR 511 +-1% .063W TKF TC=0+-200	00746	MCR03-F-5110
R154	0699-3914	1	RESISTOR 34.8 +-1% .063W TKF TC=0+-200	00746	MCR03-F-34R8
R155	0699-3941	1	RESISTOR 511 +-1% .063W TKF TC=0+-200	00746	MCR03-F-5110
R157	0699-3979	1	RESISTOR 23.7K +-1% .063W TKF TC=0+-200	00746	MCR03-F-2372
R158	0699-3979	1	RESISTOR 23.7K +-1% .063W TKF TC=0+-200	00746	MCR03-F-2372
R159	0699-3993	1	RESISTOR 100K +-1% .063W TKF TC=0+-200	00746	MCR03-F-1003
R160	0699-3987	1	RESISTOR 51.1K +-1% .063W TKF TC=0+-200	06337	2322704X5113
R161	0699-3956	1	RESISTOR 2.37K +-1% .063W TKF TC=0+-200	06337	2322704X2372
R162	0699-3920	1	RESISTOR 68.1 +-1% .063W TKF TC=0+-200	00746	MCR03-F-68R1
R164	0699-3947	1	RESISTOR 1K +-1% .063W TKF TC=0+-200	00746	MCR03-EZP-F-1001
R165	0699-3947	1	RESISTOR 1K +-1% .063W TKF TC=0+-200	00746	MCR03-EZP-F-1001

**Indicates factory-selected value*

**HP Part Number E4406-60009
RF (continued)**

Reference Designator	HP Part Number	Qty	Description	Mfr Code	Mfr Part Number
R166	0699-3947	1	RESISTOR 1K +-1% .063W TKF TC=0+-200	00746	MCR03-EZP-F-1001
R167	0699-3947	1	RESISTOR 1K +-1% .063W TKF TC=0+-200	00746	MCR03-EZP-F-1001
R170	0699-3901	1	RESISTOR 10 +-1% .063W TKF TC=0+-200	00746	MCR03-F-10R0
R171	0699-3901	1	RESISTOR 10 +-1% .063W TKF TC=0+-200	00746	MCR03-F-10R0
R172	0699-3901	1	RESISTOR 10 +-1% .063W TKF TC=0+-200	00746	MCR03-F-10R0
R173	0699-3574	1	RESISTOR 0 .0625W TKF	00746	MCR03-J-00R0
R174	0699-3574	1	RESISTOR 0 .0625W TKF	00746	MCR03-J-00R0
R175	0699-3939	1	RESISTOR 422 +-1% .063W TKF TC=0+-200	06337	232270464221
R176	0699-3939	1	RESISTOR 422 +-1% .063W TKF TC=0+-200	06337	232270464221
R177	0699-3945	1	RESISTOR 825 +-1% .063W TKF TC=0+-200	00746	MCR03-F-8250
R178	0699-3945	1	RESISTOR 825 +-1% .063W TKF TC=0+-200	00746	MCR03-F-8250
R179	0699-3574	1	RESISTOR 0 .0625W TKF	00746	MCR03-J-00R0
R180	0699-3944	1	RESISTOR 750 +-1% .063W TKF TC=0+-200	00746	MCR03-F-7500
R181	0699-3964	1	RESISTOR 5.11K +-1% .063W TKF TC=0+-200	00746	MCR03-F-5111
R184	0699-3924	1	RESISTOR 100 +-1% .063W TKF TC=0+-200	00746	MCR03-F-1000
R185	0699-3924	1	RESISTOR 100 +-1% .063W TKF TC=0+-200	00746	MCR03-F-1000
R186	0699-3922	1	RESISTOR 82.5 +-1% .063W TKF TC=0+-200	06337	232270468259
R187	0699-3924	1	RESISTOR 100 +-1% .063W TKF TC=0+-200	00746	MCR03-F-1000
R188	0699-3924	1	RESISTOR 100 +-1% .063W TKF TC=0+-200	00746	MCR03-F-1000
R189	0699-3924	1	RESISTOR 100 +-1% .063W TKF TC=0+-200	00746	MCR03-F-1000
R190	0699-3913	1	RESISTOR 31.6 +-1% .063W TKF TC=0+-200	00746	MCR03-F-31R6
R191	0699-3947	1	RESISTOR 1K +-1% .063W TKF TC=0+-200	00746	MCR03-EZP-F-1001
R192	0699-3924	1	RESISTOR 100 +-1% .063W TKF TC=0+-200	00746	MCR03-F-1000
R193	0699-3924	1	RESISTOR 100 +-1% .063W TKF TC=0+-200	00746	MCR03-F-1000
R194	0699-3924	1	RESISTOR 100 +-1% .063W TKF TC=0+-200	00746	MCR03-F-1000
R195	0699-3924	1	RESISTOR 100 +-1% .063W TKF TC=0+-200	00746	MCR03-F-1000
R196	0699-3952	1	RESISTOR 1.62K +-1% .063W TKF TC=0+-200	00746	MCR03-F-1621
R197	0699-3952	1	RESISTOR 1.62K +-1% .063W TKF TC=0+-200	00746	MCR03-F-1621
R198	0699-3952	1	RESISTOR 1.62K +-1% .063W TKF TC=0+-200	00746	MCR03-F-1621
R199	0699-3970	1	RESISTOR 10K +-1% .063W TKF TC=0+-200	00746	MCR03-F-1002
R202	0699-3939	1	RESISTOR 422 +-1% .063W TKF TC=0+-200	06337	232270464221
R203	0699-3970	1	RESISTOR 10K +-1% .063W TKF TC=0+-200	00746	MCR03-F-1002
R204	0699-3970	1	RESISTOR 10K +-1% .063W TKF TC=0+-200	00746	MCR03-F-1002
R205	0699-3970	1	RESISTOR 10K +-1% .063W TKF TC=0+-200	00746	MCR03-F-1002
R206	0699-3970	1	RESISTOR 10K +-1% .063W TKF TC=0+-200	00746	MCR03-F-1002

**HP Part Number E4406-60009
RF (continued)**

Reference Designator	HP Part Number	Qty	Description	Mfr Code	Mfr Part Number
R209	0699-3933	1	RESISTOR 237 +1% .063W TKF TC=0+-200	00746	MCR03-F-2370
R210	0699-3933	1	RESISTOR 237 +1% .063W TKF TC=0+-200	00746	MCR03-F-2370
R211	0699-3933	1	RESISTOR 237 +1% .063W TKF TC=0+-200	00746	MCR03-F-2370
R212	0699-3933	1	RESISTOR 237 +1% .063W TKF TC=0+-200	00746	MCR03-F-2370
R213	0699-3933	1	RESISTOR 237 +1% .063W TKF TC=0+-200	00746	MCR03-F-2370
R214	0699-3933	1	RESISTOR 237 +1% .063W TKF TC=0+-200	00746	MCR03-F-2370
R215	0699-3933	1	RESISTOR 237 +1% .063W TKF TC=0+-200	00746	MCR03-F-2370
R216	0699-2890	1	RESISTOR 3.3 +-5% .125W TKF TC=0+-300	00746	MCR18-J-3R3
R217	0699-2890	1	RESISTOR 3.3 +-5% .125W TKF TC=0+-300	00746	MCR18-J-3R3
R218	0699-2890	1	RESISTOR 3.3 +-5% .125W TKF TC=0+-300	00746	MCR18-J-3R3
R221	0699-2890	1	RESISTOR 3.3 +-5% .125W TKF TC=0+-300	00746	MCR18-J-3R3
R222	0699-2890	1	RESISTOR 3.3 +-5% .125W TKF TC=0+-300	00746	MCR18-J-3R3
R224	0699-2890	1	RESISTOR 3.3 +-5% .125W TKF TC=0+-300	00746	MCR18-J-3R3
R225	0699-2890	1	RESISTOR 3.3 +-5% .125W TKF TC=0+-300	00746	MCR18-J-3R3
R226	0699-2890	1	RESISTOR 3.3 +-5% .125W TKF TC=0+-300	00746	MCR18-J-3R3
R228	0699-3924	1	RESISTOR 100 +1% .063W TKF TC=0+-200	00746	MCR03-F-1000
R229	0699-2890	1	RESISTOR 3.3 +-5% .125W TKF TC=0+-300	00746	MCR18-J-3R3
R230	0699-2890	1	RESISTOR 3.3 +-5% .125W TKF TC=0+-300	00746	MCR18-J-3R3
R231	0699-2890	1	RESISTOR 3.3 +-5% .125W TKF TC=0+-300	00746	MCR18-J-3R3
R232	0699-2890	1	RESISTOR 3.3 +-5% .125W TKF TC=0+-300	00746	MCR18-J-3R3
R233	0699-3918	1	RESISTOR 51.1 +1% .063W TKF TC=0+-200	06337	232270465119
R235	0699-3918	1	RESISTOR 51.1 +1% .063W TKF TC=0+-200	06337	232270465119
R236	0699-3918	1	RESISTOR 51.1 +1% .063W TKF TC=0+-200	06337	232270465119
R237	0699-3965	1	RESISTOR 6.19K +-1% .063W TKF TC=0+-200	00746	MCR03-F-6191
R238	0699-3965	1	RESISTOR 6.19K +-1% .063W TKF TC=0+-200	00746	MCR03-F-6191
R239	0699-3965	1	RESISTOR 6.19K +-1% .063W TKF TC=0+-200	00746	MCR03-F-6191
R240	0699-3993	1	RESISTOR 100K +-1% .063W TKF TC=0+-200	00746	MCR03-F-1003
R241	0699-3967	1	RESISTOR 7.5K +-1% .063W TKF TC=0+-200	00746	MCR03-F-7501
R242	0699-3909	1	RESISTOR 21.5 +1% .063W TKF TC=0+-200	06337	232270462159
R243	0699-3929	1	RESISTOR 162 +1% .063W TKF TC=0+-200	00746	MCR03-F-1620
R244	0699-3958	1	RESISTOR 2.87K +-1% .063W TKF TC=0+-200	00746	MCR03-F-2871
R245	0699-3958	1	RESISTOR 2.87K +-1% .063W TKF TC=0+-200	00746	MCR03-F-2871
R246	0699-3934	1	RESISTOR 261 +1% .063W TKF TC=0+-200	06337	232270462611
R247	0699-3914	1	RESISTOR 34.8 +1% .063W TKF TC=0+-200	00746	MCR03-F-34R8
R248	0699-3941	1	RESISTOR 511 +1% .063W TKF TC=0+-200	00746	MCR03-F-5110

**Indicates factory-selected value*

**HP Part Number E4406-60009
RF (continued)**

Reference Designator	HP Part Number	Qty	Description	Mfr Code	Mfr Part Number
R249	0699-3574	1	RESISTOR 0 .0625W TKF	00746	MCR03-J-00R0
R250	0699-3947	1	RESISTOR 1K +-1% .063W TKF TC=0+-200	00746	MCR03-EZP-F-1001
R251	0699-3947	1	RESISTOR 1K +-1% .063W TKF TC=0+-200	00746	MCR03-EZP-F-1001
R252	0699-3964	1	RESISTOR 5.11K +-1% .063W TKF TC=0+-200	00746	MCR03-F-5111
R253	0699-3970	1	RESISTOR 10K +-1% .063W TKF TC=0+-200	00746	MCR03-F-1002
R254	0699-3933	1	RESISTOR 237 +-1% .063W TKF TC=0+-200	00746	MCR03-F-2370
R255	0699-3933	1	RESISTOR 237 +-1% .063W TKF TC=0+-200	00746	MCR03-F-2370
R256	0699-3933	1	RESISTOR 237 +-1% .063W TKF TC=0+-200	00746	MCR03-F-2370
R257	0699-3933	1	RESISTOR 237 +-1% .063W TKF TC=0+-200	00746	MCR03-F-2370
R258	0699-3933	1	RESISTOR 237 +-1% .063W TKF TC=0+-200	00746	MCR03-F-2370
R259	0699-3918	1	RESISTOR 51.1 +-1% .063W TKF TC=0+-200	06337	232270465119
R260	0699-3961	1	RESISTOR 3.83K +-1% .063W TKF TC=0+-200	00746	MCR03-F-3831
R261	0699-3955	1	RESISTOR 2.15K +-1% .063W TKF TC=0+-200	06337	232270462152
R262	0699-3955	1	RESISTOR 2.15K +-1% .063W TKF TC=0+-200	06337	232270462152
R263	0699-3955	1	RESISTOR 2.15K +-1% .063W TKF TC=0+-200	06337	232270462152
R264	0699-3955	1	RESISTOR 2.15K +-1% .063W TKF TC=0+-200	06337	232270462152
R265	0699-3955	1	RESISTOR 2.15K +-1% .063W TKF TC=0+-200	06337	232270462152
R266	0699-3955	1	RESISTOR 2.15K +-1% .063W TKF TC=0+-200	06337	232270462152
R267	0699-3955	1	RESISTOR 2.15K +-1% .063W TKF TC=0+-200	06337	232270462152
R268	0699-3955	1	RESISTOR 2.15K +-1% .063W TKF TC=0+-200	06337	232270462152
R269	0699-3978	1	RESISTOR 21.5K +-1% .063W TKF TC=0+-200	00746	MCR03-F-2152
R270	0699-3978	1	RESISTOR 21.5K +-1% .063W TKF TC=0+-200	00746	MCR03-F-2152
R271	0699-3965	1	RESISTOR 6.19K +-1% .063W TKF TC=0+-200	00746	MCR03-F-6191
R272	0699-3956	1	RESISTOR 2.37K +-1% .063W TKF TC=0+-200	06337	2322704X2372
R273	0699-3947	1	RESISTOR 1K +-1% .063W TKF TC=0+-200	00746	MCR03-EZP-F-1001
R274	0699-3964	1	RESISTOR 5.11K +-1% .063W TKF TC=0+-200	00746	MCR03-F-5111
R275	0699-3970	1	RESISTOR 10K +-1% .063W TKF TC=0+-200	00746	MCR03-F-1002
R276	0699-3970	1	RESISTOR 10K +-1% .063W TKF TC=0+-200	00746	MCR03-F-1002
R277	0699-3970	1	RESISTOR 10K +-1% .063W TKF TC=0+-200	00746	MCR03-F-1002
R278	0699-3970	1	RESISTOR 10K +-1% .063W TKF TC=0+-200	00746	MCR03-F-1002
R279	0699-3970	1	RESISTOR 10K +-1% .063W TKF TC=0+-200	00746	MCR03-F-1002
R280	0699-3970	1	RESISTOR 10K +-1% .063W TKF TC=0+-200	00746	MCR03-F-1002
R281	0699-3970	1	RESISTOR 10K +-1% .063W TKF TC=0+-200	00746	MCR03-F-1002
R282	0699-3970	1	RESISTOR 10K +-1% .063W TKF TC=0+-200	00746	MCR03-F-1002
R283	0699-3970	1	RESISTOR 10K +-1% .063W TKF TC=0+-200	00746	MCR03-F-1002

**HP Part Number E4406-60009
RF (continued)**

Reference Designator	HP Part Number	Qty	Description	Mfr Code	Mfr Part Number
R284	0699-3970	1	RESISTOR 10K +-1% .063W TKF TC=0+-200	00746	MCR03-F-1002
R285	0699-3970	1	RESISTOR 10K +-1% .063W TKF TC=0+-200	00746	MCR03-F-1002
R286	0699-3970	1	RESISTOR 10K +-1% .063W TKF TC=0+-200	00746	MCR03-F-1002
R287	0699-3970	1	RESISTOR 10K +-1% .063W TKF TC=0+-200	00746	MCR03-F-1002
R288	0699-3970	1	RESISTOR 10K +-1% .063W TKF TC=0+-200	00746	MCR03-F-1002
R289	0699-3970	1	RESISTOR 10K +-1% .063W TKF TC=0+-200	00746	MCR03-F-1002
R290	0699-3970	1	RESISTOR 10K +-1% .063W TKF TC=0+-200	00746	MCR03-F-1002
R291	0699-3933	1	RESISTOR 237 +-1% .063W TKF TC=0+-200	00746	MCR03-F-2370
R292	0699-3933	1	RESISTOR 237 +-1% .063W TKF TC=0+-200	00746	MCR03-F-2370
R293	0699-3933	1	RESISTOR 237 +-1% .063W TKF TC=0+-200	00746	MCR03-F-2370
R295	0699-2890	1	RESISTOR 3.3 +-5% .125W TKF TC=0+-300	00746	MCR18-J-3R3
R296	0699-3901	1	RESISTOR 10 +-1% .063W TKF TC=0+-200	00746	MCR03-F-10R0
R303	0699-3922	1	RESISTOR 82.5 +-1% .063W TKF TC=0+-200	06337	232270468259
R305	0699-3936	1	RESISTOR 316 +-1% .063W TKF TC=0+-200	00746	MCR03-F-3160
R306	0699-3936	1	RESISTOR 316 +-1% .063W TKF TC=0+-200	00746	MCR03-F-3160
R307	0699-3365	1	RESISTOR 56.2 +-1% .065W TKF TC=0+-200	00746	MCR03-F-56R2
R310	0699-1415	1	RESISTOR 100 +-1% .125W TKF TC=0+-100	00746	MCR18-F-1000
R311	0699-3923	1	RESISTOR 90.9 +-1% .063W TKF TC=0+-200	00746	MCR03-F-90R9
R312	0699-4000	1	RESISTOR 196K +-1% .063W TKF TC=0+-200	00746	MCR03-F-1963
R313	0699-4000	1	RESISTOR 196K +-1% .063W TKF TC=0+-200	00746	MCR03-F-1963
R314	0699-4000	1	RESISTOR 196K +-1% .063W TKF TC=0+-200	00746	MCR03-F-1963
R315	0699-3928	1	RESISTOR 147 +-1% .063W TKF TC=0+-200	00746	MCR03-F-1470
R316	0699-3930	1	RESISTOR 178 +-1% .063W TKF TC=0+-200	00746	MCR03-F-1780
R317	0699-3931	1	RESISTOR 196 +-1% .063W TKF TC=0+-200	06337	232270461961
R321	0699-3914	1	RESISTOR 34.8 +-1% .063W TKF TC=0+-200	00746	MCR03-F-34R8
R322	0699-3914	1	RESISTOR 34.8 +-1% .063W TKF TC=0+-200	00746	MCR03-F-34R8
R323	0699-3914	1	RESISTOR 34.8 +-1% .063W TKF TC=0+-200	00746	MCR03-F-34R8
R324	0699-3914	1	RESISTOR 34.8 +-1% .063W TKF TC=0+-200	00746	MCR03-F-34R8
R325	0699-3914	1	RESISTOR 34.8 +-1% .063W TKF TC=0+-200	00746	MCR03-F-34R8
R326	0699-3914	1	RESISTOR 34.8 +-1% .063W TKF TC=0+-200	00746	MCR03-F-34R8
R327	0699-3914	1	RESISTOR 34.8 +-1% .063W TKF TC=0+-200	00746	MCR03-F-34R8
R328	0699-3914	1	RESISTOR 34.8 +-1% .063W TKF TC=0+-200	00746	MCR03-F-34R8
R329	0699-3914	1	RESISTOR 34.8 +-1% .063W TKF TC=0+-200	00746	MCR03-F-34R8
R330	0699-3914	1	RESISTOR 34.8 +-1% .063W TKF TC=0+-200	00746	MCR03-F-34R8
R331	0699-3914	1	RESISTOR 34.8 +-1% .063W TKF TC=0+-200	00746	MCR03-F-34R8

**Indicates factory-selected value*

**HP Part Number E4406-60009
RF (continued)**

Reference Designator	HP Part Number	Qty	Description	Mfr Code	Mfr Part Number
R332	0699-3914	1	RESISTOR 34.8 +1% .063W TKF TC=0+-200	00746	MCR03-F-34R8
R333	0699-3914	1	RESISTOR 34.8 +1% .063W TKF TC=0+-200	00746	MCR03-F-34R8
R334	0699-3914	1	RESISTOR 34.8 +1% .063W TKF TC=0+-200	00746	MCR03-F-34R8
R335	0699-3999	1	RESISTOR 178K +-1% .063W TKF TC=0+-200	00746	MCR03-F-1783
R336	0699-3995	1	RESISTOR 121K +-1% .063W TKF TC=0+-200	00746	MCR03-F-1213
R337	0699-3995	1	RESISTOR 121K +-1% .063W TKF TC=0+-200	00746	MCR03-F-1213
R338	0699-3973	1	RESISTOR 13.3K +-1% .063W TKF TC=0+-200	00746	MCR03-F-1332
R339	0699-3972	1	RESISTOR 12.1K +-1% .063W TKF TC=0+-200	06337	232270461213
R341	0699-3924	1	RESISTOR 100 +-1% .063W TKF TC=0+-200	00746	MCR03-F-1000
R342	0699-3970	1	RESISTOR 10K +-1% .063W TKF TC=0+-200	00746	MCR03-F-1002
R346	0699-4016	1	RESISTOR 1M +-1% .063W TKF TC=0+-200	00746	MCR03-F-1004
R348	0699-3965	1	RESISTOR 6.19K +-1% .063W TKF TC=0+-200	00746	MCR03-F-6191
R349	0699-3965	1	RESISTOR 6.19K +-1% .063W TKF TC=0+-200	00746	MCR03-F-6191
R350	0699-3986	1	RESISTOR 46.4K +-1% .063W TKF TC=0+-200	00746	MCR03-F-4642
R351	0699-3964	1	RESISTOR 5.11K +-1% .063W TKF TC=0+-200	00746	MCR03-F-5111
R352	0699-3944	1	RESISTOR 750 +-1% .063W TKF TC=0+-200	00746	MCR03-F-7500
R353	0699-3941	1	RESISTOR 511 +-1% .063W TKF TC=0+-200	00746	MCR03-F-5110
R354	0699-3933	1	RESISTOR 237 +-1% .063W TKF TC=0+-200	00746	MCR03-F-2370
R355	0699-3918	1	RESISTOR 51.1 +-1% .063W TKF TC=0+-200	06337	232270465119
R356	0699-3918	1	RESISTOR 51.1 +-1% .063W TKF TC=0+-200	06337	232270465119
R357	0699-3901	1	RESISTOR 10 +-1% .063W TKF TC=0+-200	00746	MCR03-F-10R0
R362	0699-1385	1	RESISTOR 5.11K +-1% .125W TKF TC=0+-100	00746	MCR18-F-5111
R363	0699-3901	1	RESISTOR 10 +-1% .063W TKF TC=0+-200	00746	MCR03-F-10R0
R364	0699-3901	1	RESISTOR 10 +-1% .063W TKF TC=0+-200	00746	MCR03-F-10R0
R365	0699-3986	1	RESISTOR 46.4K +-1% .063W TKF TC=0+-200	00746	MCR03-F-4642
R366	0699-3948	1	RESISTOR 1.1K +-1% .063W TKF TC=0+-200	00746	MCR03-F-1101
R367	0699-3947	1	RESISTOR 1K +-1% .063W TKF TC=0+-200	00746	MCR03-EZP-F-1001
R368	0699-3947	1	RESISTOR 1K +-1% .063W TKF TC=0+-200	00746	MCR03-EZP-F-1001
R369	0699-3928	1	RESISTOR 147 +-1% .063W TKF TC=0+-200	00746	MCR03-F-1470
R370	0699-3928	1	RESISTOR 147 +-1% .063W TKF TC=0+-200	00746	MCR03-F-1470
R371	0699-3928	1	RESISTOR 147 +-1% .063W TKF TC=0+-200	00746	MCR03-F-1470
R372	0699-3928	1	RESISTOR 147 +-1% .063W TKF TC=0+-200	00746	MCR03-F-1470
R373	0699-3931	1	RESISTOR 196 +-1% .063W TKF TC=0+-200	06337	232270461961
R374	0699-3938	1	RESISTOR 383 +-1% .063W TKF TC=0+-200	00746	MCR03-F-3830
R375	0699-3924	1	RESISTOR 100 +-1% .063W TKF TC=0+-200	00746	MCR03-F-1000

**HP Part Number E4406-60009
RF (continued)**

Reference Designator	HP Part Number	Qty	Description	Mfr Code	Mfr Part Number
R376	0699-3935	1	RESISTOR 287 +-1% .063W TKF TC=0+-200	00746	MCR03-F-2870
R378	0699-3920	1	RESISTOR 68.1 +-1% .063W TKF TC=0+-200	00746	MCR03-F-68R1
R379	0699-3920	1	RESISTOR 68.1 +-1% .063W TKF TC=0+-200	00746	MCR03-F-68R1
R380	0699-3918	1	RESISTOR 51.1 +-1% .063W TKF TC=0+-200	06337	232270465119
R381	0699-3931	1	RESISTOR 196 +-1% .063W TKF TC=0+-200	06337	232270461961
R383	0699-3914	1	RESISTOR 34.8 +-1% .063W TKF TC=0+-200	00746	MCR03-F-34R8
R384	0699-3914	1	RESISTOR 34.8 +-1% .063W TKF TC=0+-200	00746	MCR03-F-34R8
R385	0699-3941	1	RESISTOR 511 +-1% .063W TKF TC=0+-200	00746	MCR03-F-5110
R387	0699-3914	1	RESISTOR 34.8 +-1% .063W TKF TC=0+-200	00746	MCR03-F-34R8
R388	0699-3914	1	RESISTOR 34.8 +-1% .063W TKF TC=0+-200	00746	MCR03-F-34R8
R389	0699-3914	1	RESISTOR 34.8 +-1% .063W TKF TC=0+-200	00746	MCR03-F-34R8
R390	0699-3935	1	RESISTOR 287 +-1% .063W TKF TC=0+-200	00746	MCR03-F-2870
R391	0699-3901	1	RESISTOR 10 +-1% .063W TKF TC=0+-200	00746	MCR03-F-10R0
R392	0699-3901	1	RESISTOR 10 +-1% .063W TKF TC=0+-200	00746	MCR03-F-10R0
R393	0699-3901	1	RESISTOR 10 +-1% .063W TKF TC=0+-200	00746	MCR03-F-10R0
R394	0699-3901	1	RESISTOR 10 +-1% .063W TKF TC=0+-200	00746	MCR03-F-10R0
R395	0699-3918	1	RESISTOR 51.1 +-1% .063W TKF TC=0+-200	06337	232270465119
R396	0699-3901	1	RESISTOR 10 +-1% .063W TKF TC=0+-200	00746	MCR03-F-10R0
R397	0699-3947	1	RESISTOR 1K +-1% .063W TKF TC=0+-200	00746	MCR03-EZP-F-1001
R398	0699-3934	1	RESISTOR 261 +-1% .063W TKF TC=0+-200	06337	232270462611
R399	0699-3919	1	RESISTOR 61.9 +-1% .063W TKF TC=0+-200	05524	CRCW060361R9F
R400	0699-3938	1	RESISTOR 383 +-1% .063W TKF TC=0+-200	00746	MCR03-F-3830
R401	0699-3935	1	RESISTOR 287 +-1% .063W TKF TC=0+-200	00746	MCR03-F-2870
R402	0699-3935	1	RESISTOR 287 +-1% .063W TKF TC=0+-200	00746	MCR03-F-2870
R403	0699-4365	1	RESISTOR 6.8 +-5% .063W TKF TC=0+-500	00746	MCR03-J-6R8
R404	0699-3931	1	RESISTOR 196 +-1% .063W TKF TC=0+-200	06337	232270461961
R405	0699-3947	1	RESISTOR 1K +-1% .063W TKF TC=0+-200	00746	MCR03-EZP-F-1001
R406	0699-3947	1	RESISTOR 1K +-1% .063W TKF TC=0+-200	00746	MCR03-EZP-F-1001
R407	0699-3947	1	RESISTOR 1K +-1% .063W TKF TC=0+-200	00746	MCR03-EZP-F-1001
R408	0699-3947	1	RESISTOR 1K +-1% .063W TKF TC=0+-200	00746	MCR03-EZP-F-1001
R409	0699-3947	1	RESISTOR 1K +-1% .063W TKF TC=0+-200	00746	MCR03-EZP-F-1001
R410	0699-3947	1	RESISTOR 1K +-1% .063W TKF TC=0+-200	00746	MCR03-EZP-F-1001
R411	0699-3947	1	RESISTOR 1K +-1% .063W TKF TC=0+-200	00746	MCR03-EZP-F-1001
R412	0699-3947	1	RESISTOR 1K +-1% .063W TKF TC=0+-200	00746	MCR03-EZP-F-1001
R413	0699-3947	1	RESISTOR 1K +-1% .063W TKF TC=0+-200	00746	MCR03-EZP-F-1001

**Indicates factory-selected value*

**HP Part Number E4406-60009
RF (continued)**

Reference Designator	HP Part Number	Qty	Description	Mfr Code	Mfr Part Number
R414	0699-3947	1	RESISTOR 1K +-1% .063W TKF TC=0+-200	00746	MCR03-EZP-F-1001
R415	0699-3947	1	RESISTOR 1K +-1% .063W TKF TC=0+-200	00746	MCR03-EZP-F-1001
R416	0699-3947	1	RESISTOR 1K +-1% .063W TKF TC=0+-200	00746	MCR03-EZP-F-1001
R417	0699-3947	1	RESISTOR 1K +-1% .063W TKF TC=0+-200	00746	MCR03-EZP-F-1001
R418	0699-3947	1	RESISTOR 1K +-1% .063W TKF TC=0+-200	00746	MCR03-EZP-F-1001
R419	0699-3947	1	RESISTOR 1K +-1% .063W TKF TC=0+-200	00746	MCR03-EZP-F-1001
R420	0699-3947	1	RESISTOR 1K +-1% .063W TKF TC=0+-200	00746	MCR03-EZP-F-1001
R421	0699-3946	1	RESISTOR 909 +-1% .063W TKF TC=0+-200	00746	MCR03-F-9090
R422	0699-3946	1	RESISTOR 909 +-1% .063W TKF TC=0+-200	00746	MCR03-F-9090
R423	0699-3936	1	RESISTOR 316 +-1% .063W TKF TC=0+-200	00746	MCR03-F-3160
R424	0699-3936	1	RESISTOR 316 +-1% .063W TKF TC=0+-200	00746	MCR03-F-3160
R426	0699-3936	1	RESISTOR 316 +-1% .063W TKF TC=0+-200	00746	MCR03-F-3160
R427	0699-3933	1	RESISTOR 237 +-1% .063W TKF TC=0+-200	00746	MCR03-F-2370
R428	0699-3933	1	RESISTOR 237 +-1% .063W TKF TC=0+-200	00746	MCR03-F-2370
R429	0699-3933	1	RESISTOR 237 +-1% .063W TKF TC=0+-200	00746	MCR03-F-2370
R430	0699-3933	1	RESISTOR 237 +-1% .063W TKF TC=0+-200	00746	MCR03-F-2370
R431	0699-3933	1	RESISTOR 237 +-1% .063W TKF TC=0+-200	00746	MCR03-F-2370
R432	0699-3933	1	RESISTOR 237 +-1% .063W TKF TC=0+-200	00746	MCR03-F-2370
R433	0699-3928	1	RESISTOR 147 +-1% .063W TKF TC=0+-200	00746	MCR03-F-1470
R434	0699-3928	1	RESISTOR 147 +-1% .063W TKF TC=0+-200	00746	MCR03-F-1470
R435	0699-3928	1	RESISTOR 147 +-1% .063W TKF TC=0+-200	00746	MCR03-F-1470
R436	0699-3928	1	RESISTOR 147 +-1% .063W TKF TC=0+-200	00746	MCR03-F-1470
R437	0699-3906	1	RESISTOR 16.2 +-1% .063W TKF TC=0+-200	00746	MCR03-F-16R2
R438	0699-3906	1	RESISTOR 16.2 +-1% .063W TKF TC=0+-200	00746	MCR03-F-16R2
R439	0699-3901	1	RESISTOR 10 +-1% .063W TKF TC=0+-200	00746	MCR03-F-10R0
R440	0699-3901	1	RESISTOR 10 +-1% .063W TKF TC=0+-200	00746	MCR03-F-10R0
R441	0699-3901	1	RESISTOR 10 +-1% .063W TKF TC=0+-200	00746	MCR03-F-10R0
R442	0699-3939	1	RESISTOR 422 +-1% .063W TKF TC=0+-200	06337	232270464221
R443	0699-3939	1	RESISTOR 422 +-1% .063W TKF TC=0+-200	06337	232270464221
R444	0699-3904	1	RESISTOR 13.3 +-1% .063W TKF TC=0+-200	00746	MCR03-F-13R3
T4	9100-4982	1	TRANSFORMER-SMALL SIGNAL SMT; PRIMARY	01886	M1590-B
T5	9100-4983	1	TRANSFORMER-SMALL SIGNAL SMT; PRI	01886	M1591-B
T7	9100-4983	1	TRANSFORMER-SMALL SIGNAL SMT; PRI	01886	M1591-B
T8	9100-4983	1	TRANSFORMER-SMALL SIGNAL SMT; PRI	01886	M1591-B
T10	9100-4983	1	TRANSFORMER-SMALL SIGNAL SMT; PRI	01886	M1591-B

**HP Part Number E4406-60009
RF (continued)**

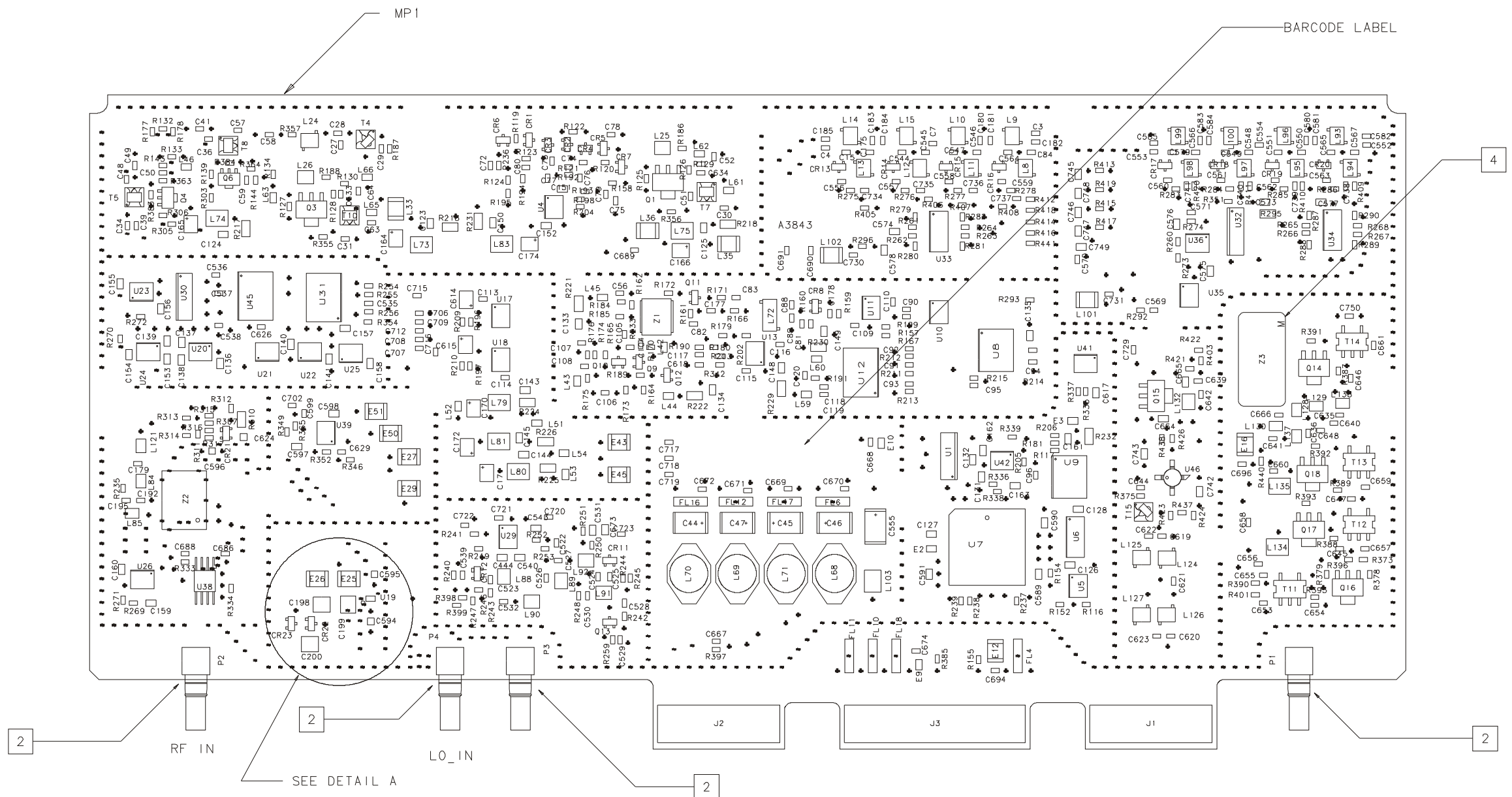
Reference Designator	HP Part Number	Qty	Description	Mfr Code	Mfr Part Number
T11	9100-5362	1	TRANSFORMER-BALUN MAGNETIC COUPLER	06353	458PT-1024 (B5F)
T12	9100-5362	1	TRANSFORMER-BALUN MAGNETIC COUPLER	06353	458PT-1024 (B5F)
T13	9100-5362	1	TRANSFORMER-BALUN MAGNETIC COUPLER	06353	458PT-1024 (B5F)
T14	9100-5362	1	TRANSFORMER-BALUN MAGNETIC COUPLER	06353	458PT-1024 (B5F)
T15	9100-4982	1	TRANSFORMER-SMALL SIGNAL SMT; PRIMARY	01886	M1590-B
U1	1826-2147	1	ANALOG MULTIPLEXER 8 CHNL 16 -P-SOIC	02883	DG408DY
U4	1826-2403	1	IC OP AMP LP DUAL 8 PIN PLSTC-SOIC	02037	MC33178D
U5	1818-4729	1	IC 1K-BIT EEPROM 500-NS CMOS	28480	1818-4729
U6	1820-5945	1	IC GATE CMOS/AC NAND QUAD 2-INP	02037	MC74AC00D
U7	1820-6752	1	IC-ASIC GT-ARY CMOS 6206 PLCC	03406	SCX6206TQM/V2
U8	1826-2233	1	A/D 8-BIT 14-P-SOIC BPLR	03406	ADC0831CCWM
U9	1826-2233	1	A/D 8-BIT 14-P-SOIC BPLR	03406	ADC0831CCWM
U10	1826-1838	1	IC PWR MGT-V-REF-FXD 4.95/5.05V 8 PINS	10858	LT1021DCS8-5
U11	1826-1925	1	IC OP AMP LOW-NOISE SINGLE 8 PIN	03285	OP-27GS
U12	1826-2722	1	D/A 12-BIT 16-P-SOIC CMOS	28480	1826-2722
U13	1826-1862	1	IC OP AMP LOW-BIAS-H-IMPED DUAL 8 PIN	01698	TL072CD
U17	1826-1826	1	IC PWR MGT-V-REG-ADJ-POS 1.2/37V 8 PINS	03406	LM317LM
U18	1826-1841	1	IC PWR MGT-V-REG-ADJ-NEG 1.2/37V 8 PINS	03406	LM337LM
U19	1826-3531	1	IC RF/IF AMPL LOW-NOISE 6 PIN	28480	1826-3531
U20	1826-2403	1	IC OP AMP LP DUAL 8 PIN PLSTC-SOIC	02037	MC33178D
U21	1826-2403	1	IC OP AMP LP DUAL 8 PIN PLSTC-SOIC	02037	MC33178D
U22	1826-2403	1	IC OP AMP LP DUAL 8 PIN PLSTC-SOIC	02037	MC33178D
U23	1826-2403	1	IC OP AMP LP DUAL 8 PIN PLSTC-SOIC	02037	MC33178D
U24	1826-2403	1	IC OP AMP LP DUAL 8 PIN PLSTC-SOIC	02037	MC33178D
U25	1826-2403	1	IC OP AMP LP DUAL 8 PIN PLSTC-SOIC	02037	MC33178D
U26	1826-2403	1	IC OP AMP LP DUAL 8 PIN PLSTC-SOIC	02037	MC33178D
U29	1826-1925	1	IC OP AMP LOW-NOISE SINGLE 8 PIN	03285	OP-27GS
U30	1820-6277	1	IC SHF-RGTR CMOS/HC SYNC/ASYN SERIAL-IN	02237	MM74HC595M
U31	1826-2722	1	D/A 12-BIT 16-P-SOIC CMOS	28480	1826-2722
U32	1826-3345	1	D/A 8-BIT 16-P-SOIC BPLR	03285	AD8803AR
U33	1826-1909	1	IC OP AMP H-SLEW-RATE QUAD 14 PIN	02037	MC34074D
U34	1826-1909	1	IC OP AMP H-SLEW-RATE QUAD 14 PIN	02037	MC34074D
U35	1826-1687	1	IC PWR MGT-V-REF-FXD 9.95/10.05V 8 PINS	10858	LT1021DCS8-10
U36	1826-1862	1	IC OP AMP LOW-BIAS-H-IMPED DUAL 8 PIN	01698	TL072CD
U39	1826-1862	1	IC OP AMP LOW-BIAS-H-IMPED DUAL 8 PIN	01698	TL072CD

**Indicates factory-selected value*

**HP Part Number E4406-60009
RF (continued)**

Reference Designator	HP Part Number	Qty	Description	Mfr Code	Mfr Part Number
U41	1826-2261	1	IC TEMP XDCC PRCN SINGLE 8 PIN	03406	LM35DM
U42	1826-1862	1	IC OP AMP LOW-BIAS-H-IMPED DUAL 8 PIN	01698	TL072CD
U43	1818-7154	1	IC 128K-BIT FLASH 400-NS CMOS	28480	1818-7154
U44	1818-7154	1	IC 128K-BIT FLASH 400-NS CMOS	28480	1818-7154
U45	1826-2722	1	D/A 12-BIT 16-P-SOIC CMOS	28480	1826-2722
U46	1826-2133	1	IC RF/IF AMPL WB 4 PIN U-WAVE-PILL	28480	1826-2133
Z1	0955-0795	1	U-WAVE MIXER 1.2 GHZ MAX	28480	0955-0795
Z2	0955-0796	1	U-WAVE MIXER 4 GHZ MAX	28480	0955-0796
Z3	0955-0604	1	U-WAVE MIXER 1 GHZ MAX	02739	SAY-2-3

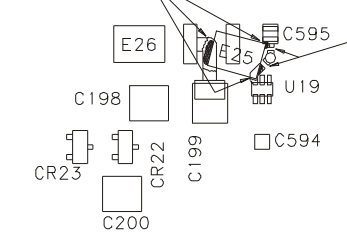
5300		D-E4406-60009-2	
SYM	REVISIONS	APPROVED	DATE
A	AS ISSUED LCN 53-E4406-75	IS	
B	PER ECO 53-E4406-84	/ STS	



NOTES: UNLESS OTHERWISE SPECIFIED:
 1. USE RAW BOARD E4406-20009.

- 2 SOLDER COMPLETELY AROUND P1-P4 CONNECTORS
- 3. THIS DESIGN HAS VIAS IN PADS
- 4 Z3 MUST BE FULLY SEATED ON BOARD TO CLEAR SHIELD.

REMOVE SOLDER MASK



DETAIL A
SCALE: NONE

1. REMOVE E25 AND RETAIN FOR STEP 4.
2. CUT TRACES CLOSE TO VIA AS INDICATED.
3. REMOVE SOLDER MASK FROM TRACES, AS SHOWN.
4. REPLACE E25 AS SHOWN.
DO NOT ALLOW SOLDER TO CONTACT THE VIA!

TOP SIDE
SEE MATERIAL LIST E4406-60009

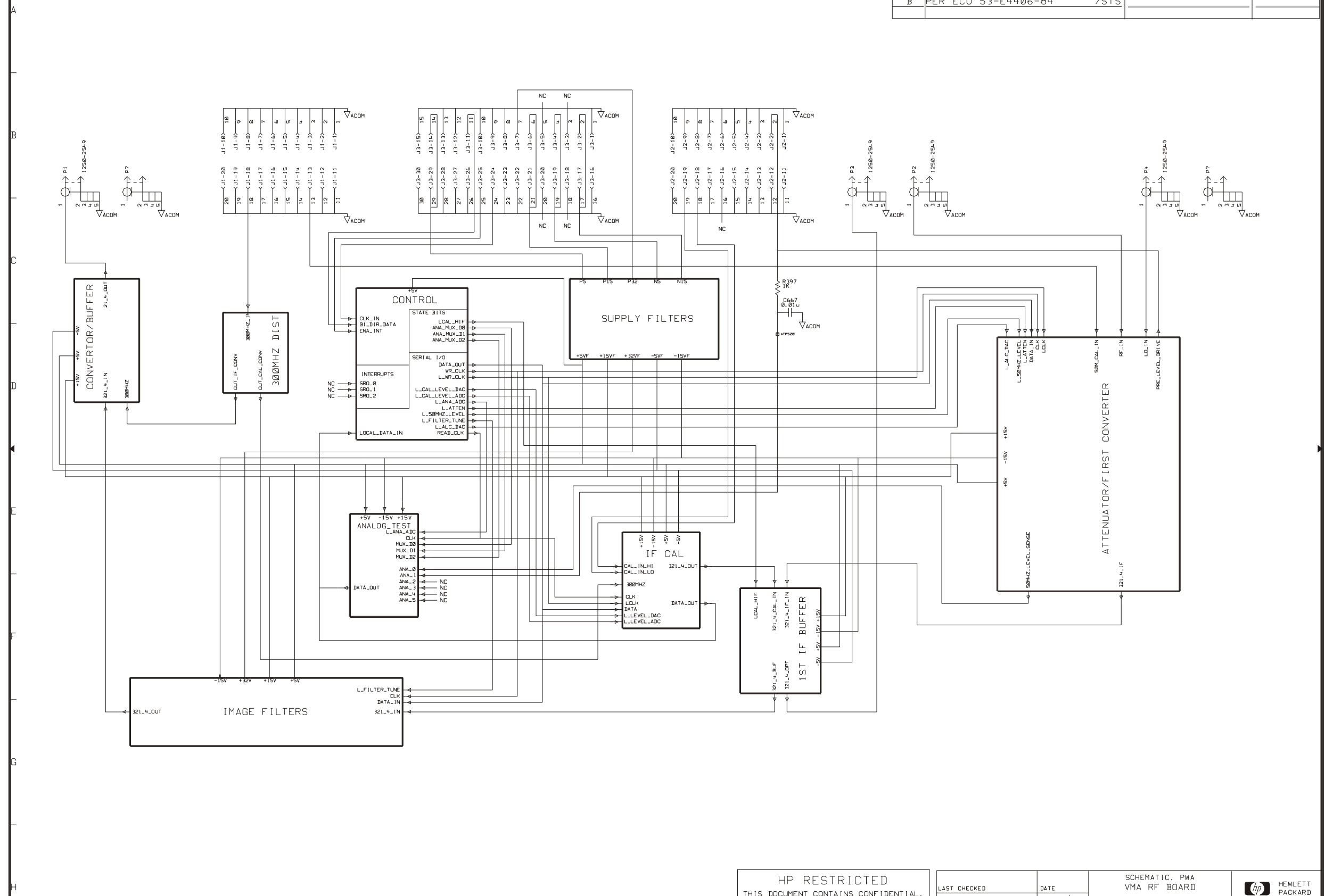
HP PROPRIETARY
THIS DOCUMENT CONTAINS CONFIDENTIAL
PROPRIETARY INFORMATION THAT IS
HEWLETT-PACKARD (HP) PROPERTY.
DO NOT DISCLOSE TO OR DUPLICATE FOR
OTHERS EXCEPT AS AUTHORIZED BY HP.

UNLESS OTHERWISE SPECIFIED, DIMENSIONS ARE IN INCHES.	DRAWN BY	DATE
TOLERANCES: XX.XXX .010 XX.XX .02	ENGINEER/CHECKER	DATE
THIRD ANGLE PROJECTION	RELEASE TO PROD.	DATE
DO NOT SCALE THIS DRAWING	SUPERSEDES DRG.	

ASSEMBLY, PWB
VMA RF BOARD
TITLE

MENTOR FILENAME	HEWLETT PACKARD
SCALE NONE	E4406-60009 PART NUMBER
SHEET 1 OF 2	D-E4406-60009-2

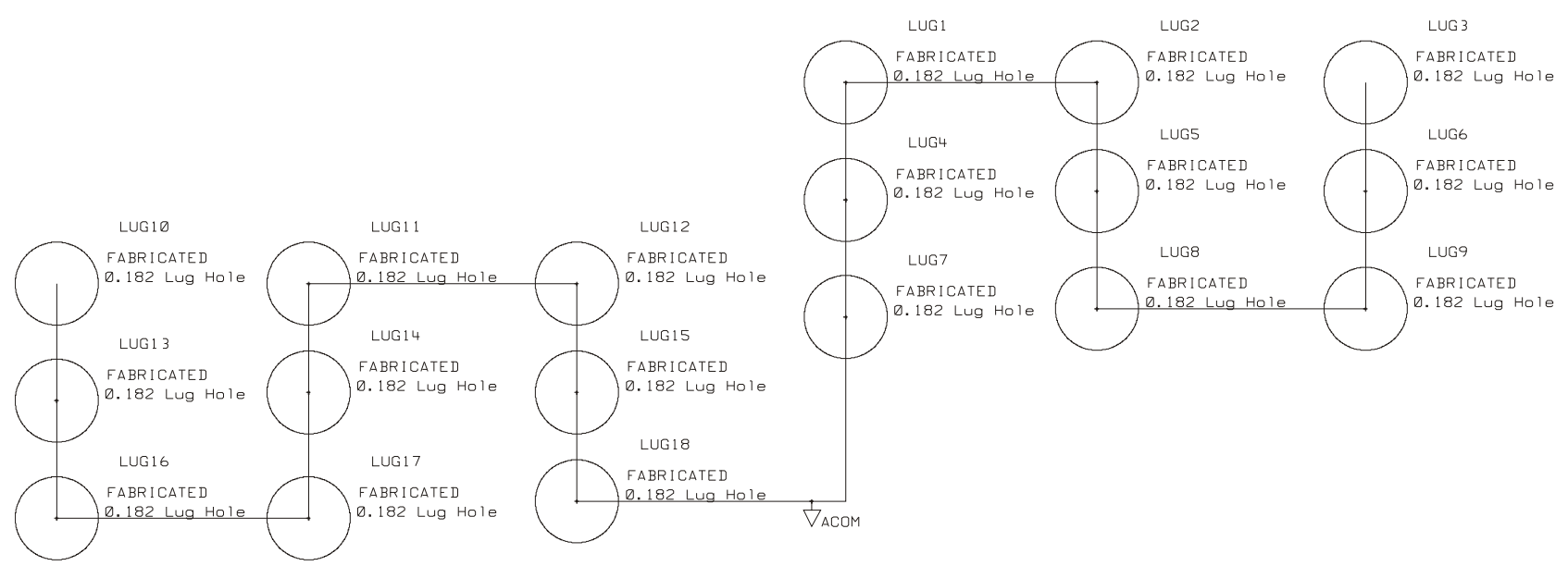
REV	INFORMATION	APPROVED	DATE
A	AS ISSUED LCN 53-E4406-75 IS		
B	PER ECO 53-E4406-84 /STS		



HP RESTRICTED
 THIS DOCUMENT CONTAINS CONFIDENTIAL,
 PROPRIETARY INFORMATION THAT IS
 HEWLETT-PACKARD (HP) PROPERTY.
 DO NOT DISCLOSE TO OR DUPLICATE FOR
 OTHERS EXCEPT AS AUTHORIZED BY HP.

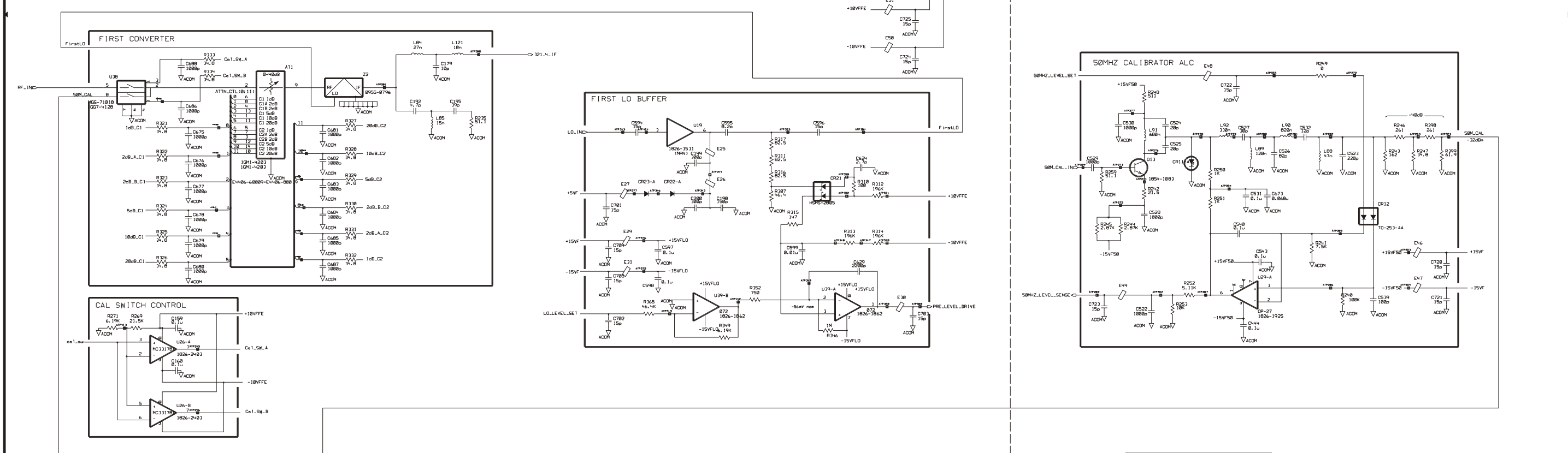
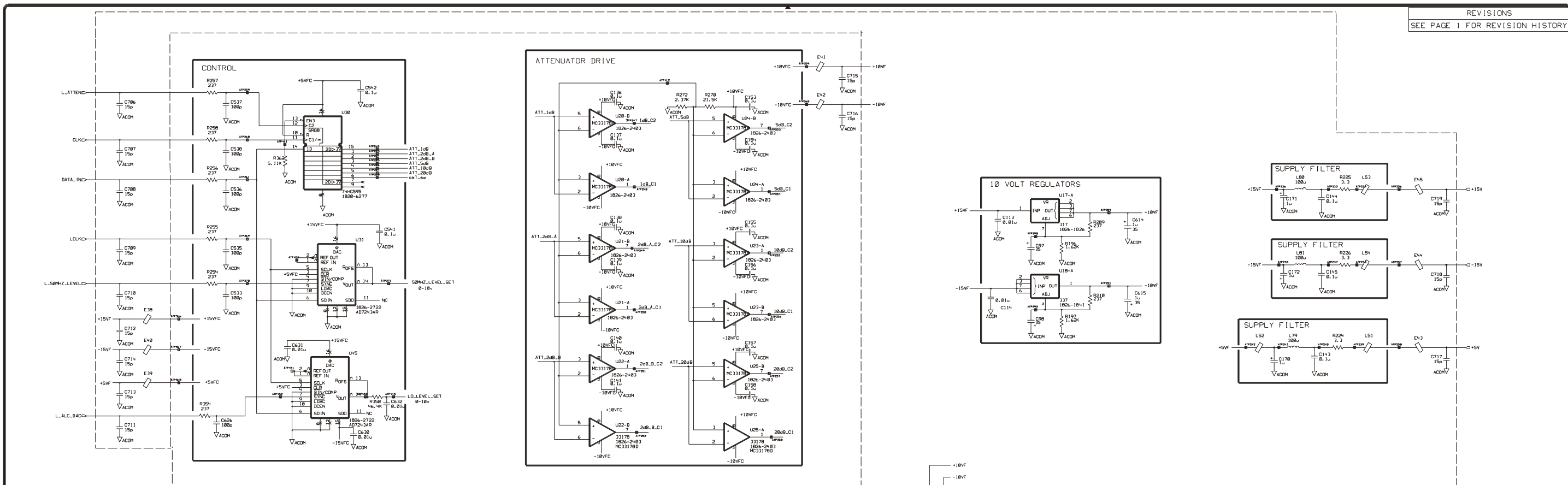
LAST CHECKED	DATE	SCHEMATIC, PWA VMA RF BOARD		HEWLETT PACKARD 5300
ENGINEER	SHEET OF	TITLE		
DRAWN BY	SIZE	HP-E4406/60009/BA3843/Top-Level sheet	E4406-60009	
	BA 384 3	A 384 3	1	C-E4406-60009-1
	ASSY. REV	BRD. REV	PAGE	DWG. NO.

REVISIONS							
SEE PAGE 1 FOR REVISION HISTORY							

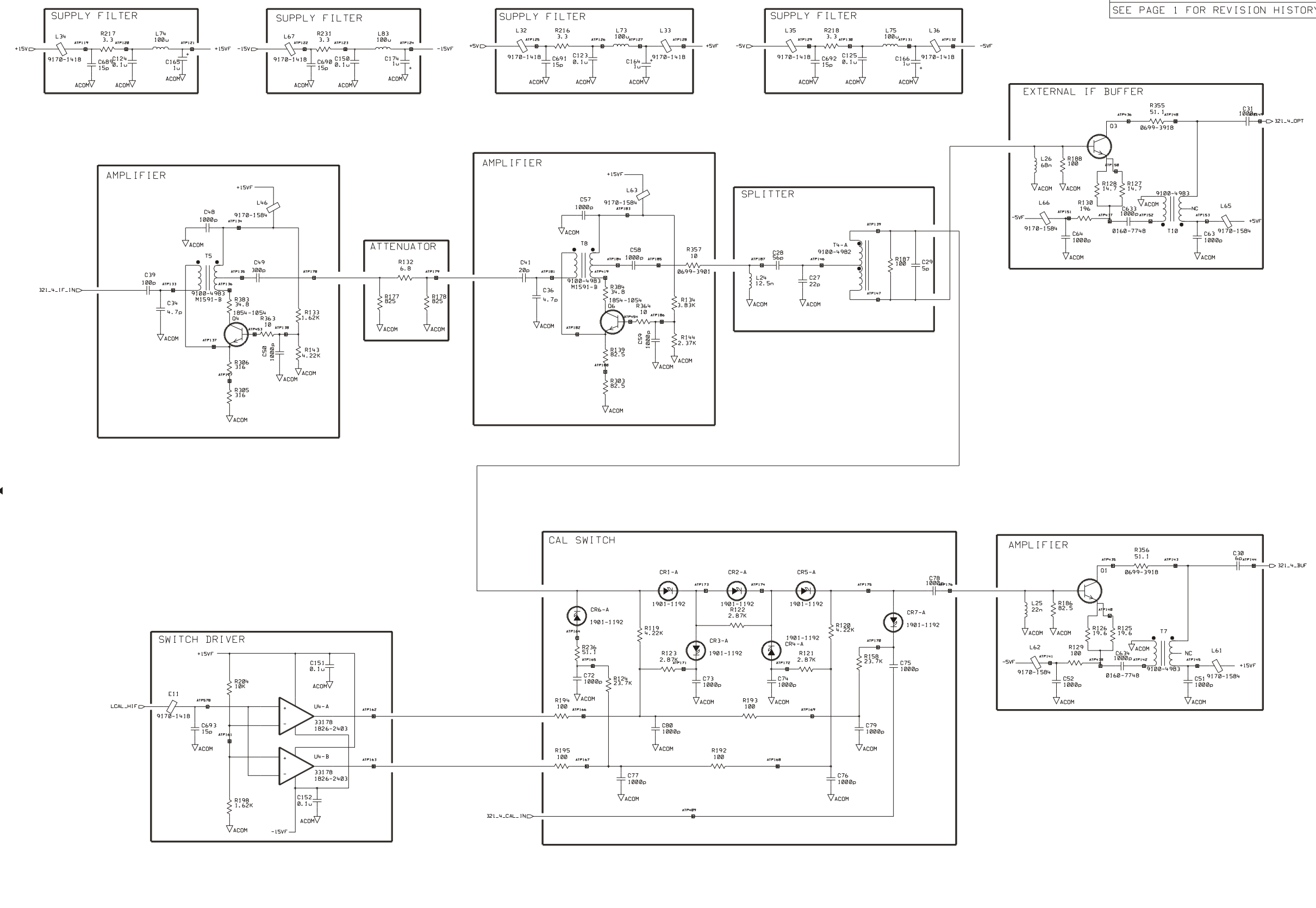


HP RESTRICTED
 THIS DOCUMENT CONTAINS CONFIDENTIAL,
 PROPRIETARY INFORMATION THAT IS
 HEWLETT-PACKARD (HP) PROPERTY.
 DO NOT DISCLOSE TO OR DUPLICATE FOR
 OTHERS EXCEPT AS AUTHORIZED BY HP.

LAST CHECKED	DATE	SCHEMATIC. PWA VMA RF BOARD SHIELD LUGS	HEWLETT PACKARD 5300
ENGINEER	SHEET 2 OF 2		
DRAWN BY	SIZE B	TITLE \$HP_E4406/60009/BA3843/Top_Level1 sheet2 PATHNAME	E4406-60009 PART NUMBER
	BA 3843 ASSY. REV	A 3843 BRD. REV	PAGE 2 OF 11 B-E4406-60009-1 DWG. NO.



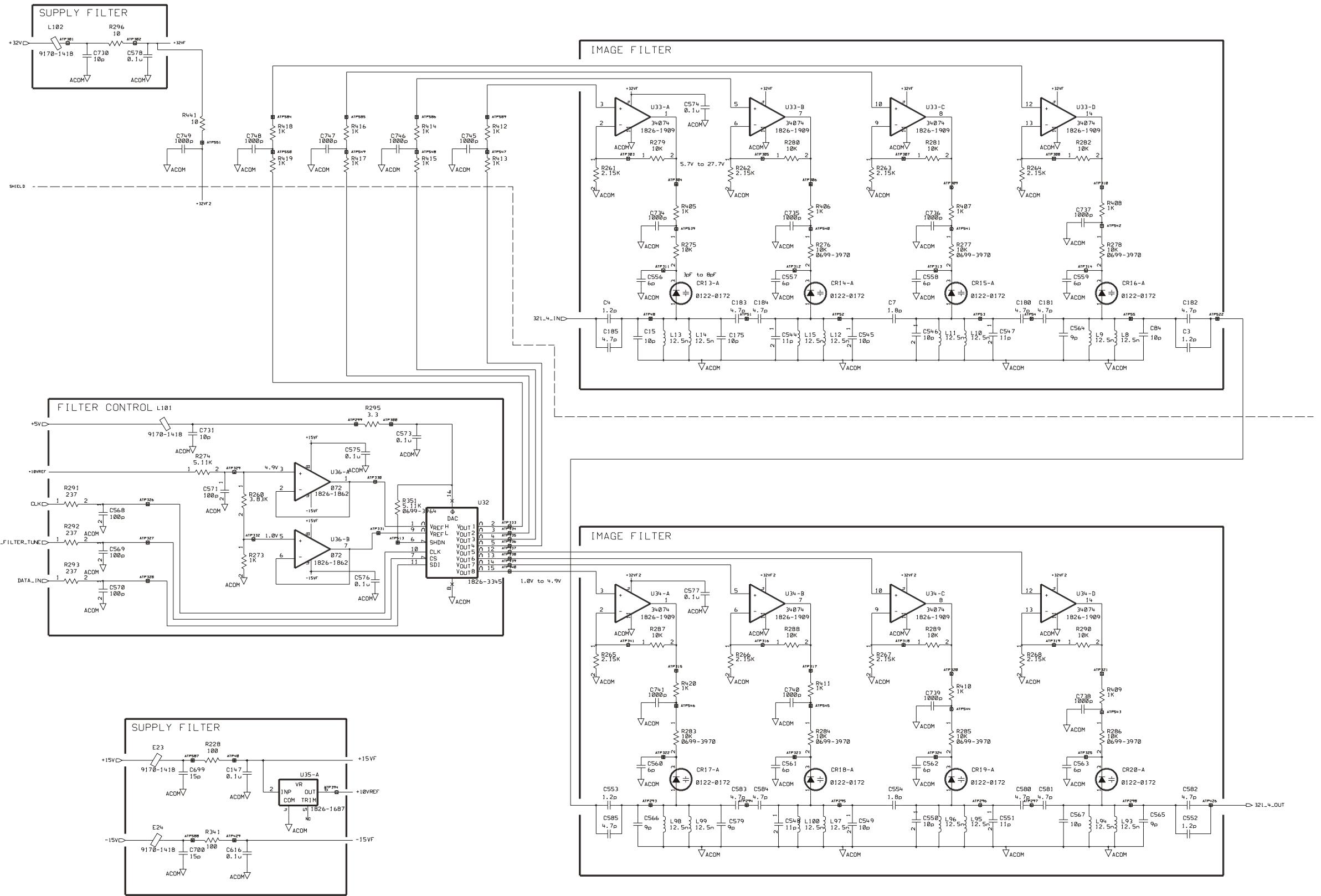
REVISIONS
SEE PAGE 1 FOR REVISION HISTORY



HP RESTRICTED
THIS DOCUMENT CONTAINS CONFIDENTIAL PROPRIETARY INFORMATION THAT IS HEWLETT-PACKARD (HP) PROPERTY. DO NOT DISCLOSE TO OR DUPLICATE FOR OTHERS EXCEPT AS AUTHORIZED BY HP.

LAST CHECKED	DATE	SCHEMATIC, PWA VMA RF BOARD FIRST IF BUFFERS		HEWLETT PACKARD 5300
ENGINEER	SHEET 1 OF 1	TITLE		
DRAWN BY	SIZE C	PATHNAME		E4406-60009
ASSY. REV.	BA 384 3	A 384 3	4 11	C-E4406-60009-1
	BRD. REV.	PAGE	OF	DWG. NO.

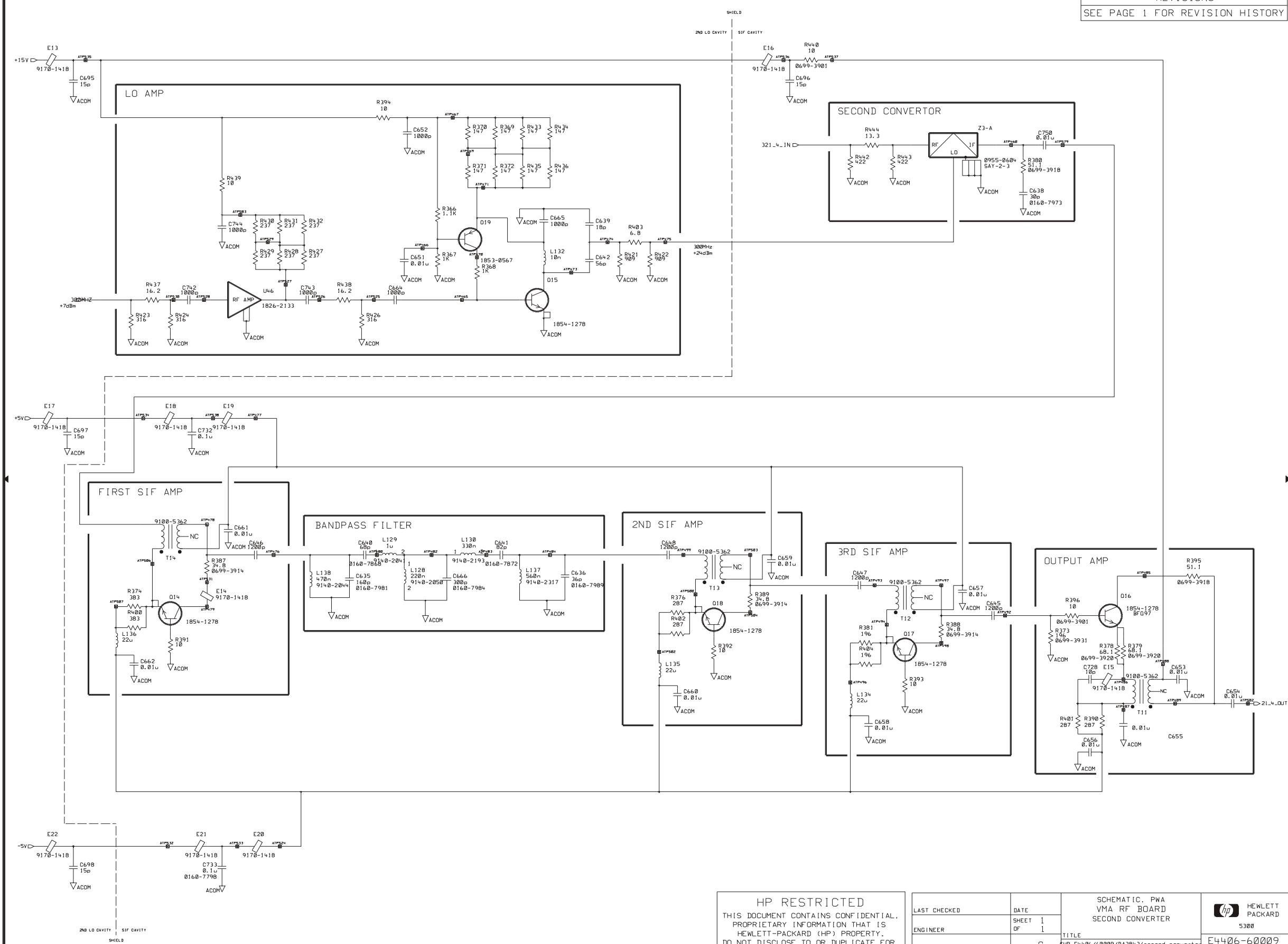
REVISIONS
SEE PAGE 1 FOR REVISION HISTORY



HP RESTRICTED
THIS DOCUMENT CONTAINS CONFIDENTIAL PROPRIETARY INFORMATION THAT IS HEWLETT-PACKARD (HP) PROPERTY. DO NOT DISCLOSE TO OR DUPLICATE FOR OTHERS EXCEPT AS AUTHORIZED BY HP.

LAST CHECKED	DATE	SCHEMATIC, PWA VMA RF BOARD IMAGE FILTERS	HEWLETT PACKARD 5300
ENGINEER	SHEET 1 OF 1		
DRAWN BY	SIZE C	TITLE SHP_E4406/60009/BA3843/image_filters PATHNAME sheet1	E4406-60009 PART NUMBER
ASSY. REV.	BA 384 3	5 11	C-E4406-60009-1 Dwg. NO.

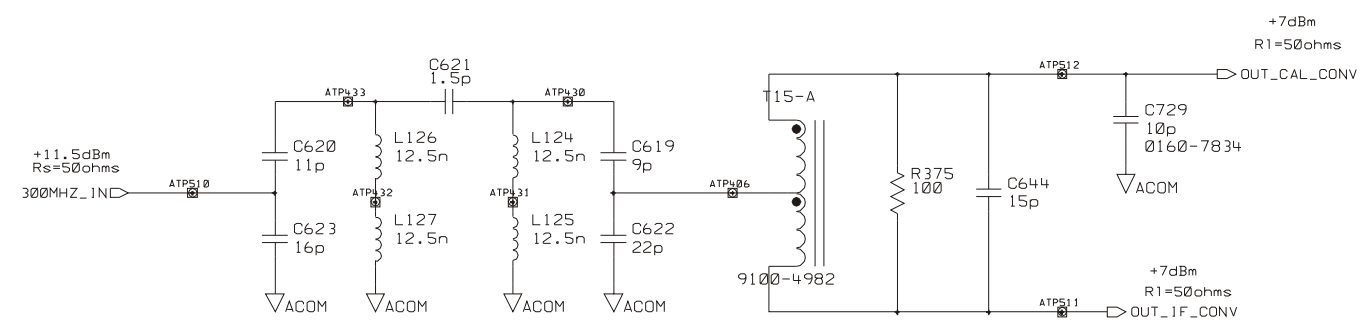
REVISIONS
SEE PAGE 1 FOR REVISION HISTORY



HP RESTRICTED
THIS DOCUMENT CONTAINS CONFIDENTIAL,
PROPRIETARY INFORMATION THAT IS
HEWLETT-PACKARD (HP) PROPERTY.
DO NOT DISCLOSE TO OR DUPLICATE FOR
OTHERS EXCEPT AS AUTHORIZED BY HP.

LAST CHECKED	DATE	SCHEMATIC. PWA VMA RF BOARD SECOND CONVERTER		HEWLETT PACKARD 5300
ENGINEER	SHEET 1 OF 1	TITLE		
DRAWN BY	SIZE C	PWA-E4406/60009/BA3843/second-convertor		E4406-60009
	BA 384 3	A 384 3	6 11	C-E4406-60009-1
	ASSY. REV	DRD. REV	PAGE OF	ENG. NO.

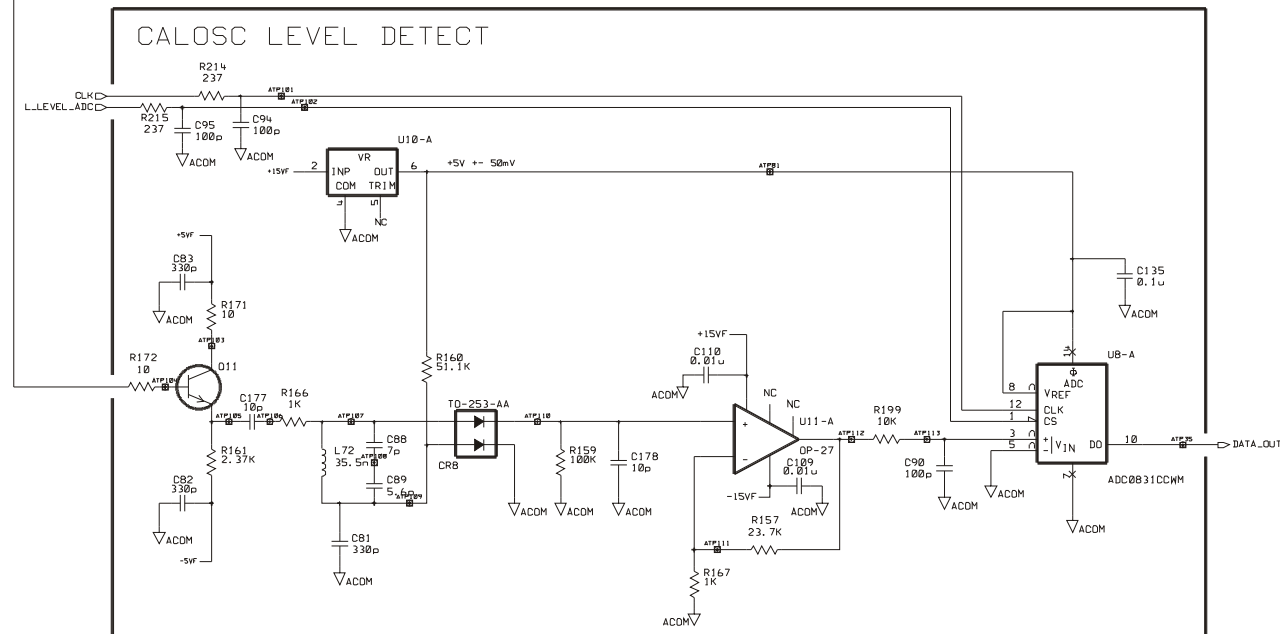
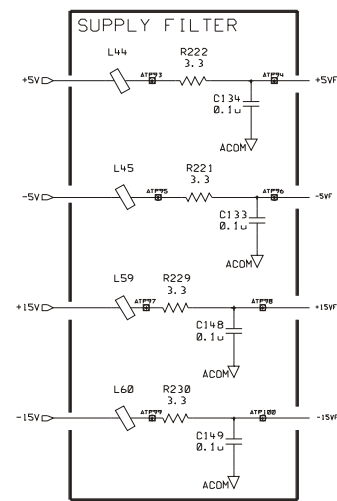
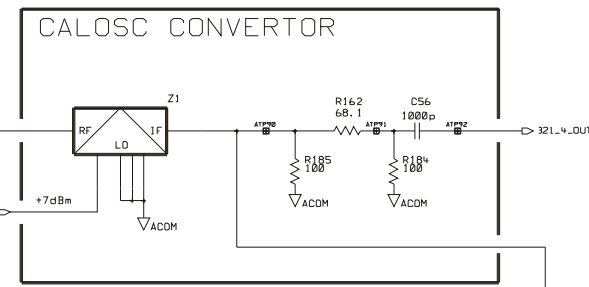
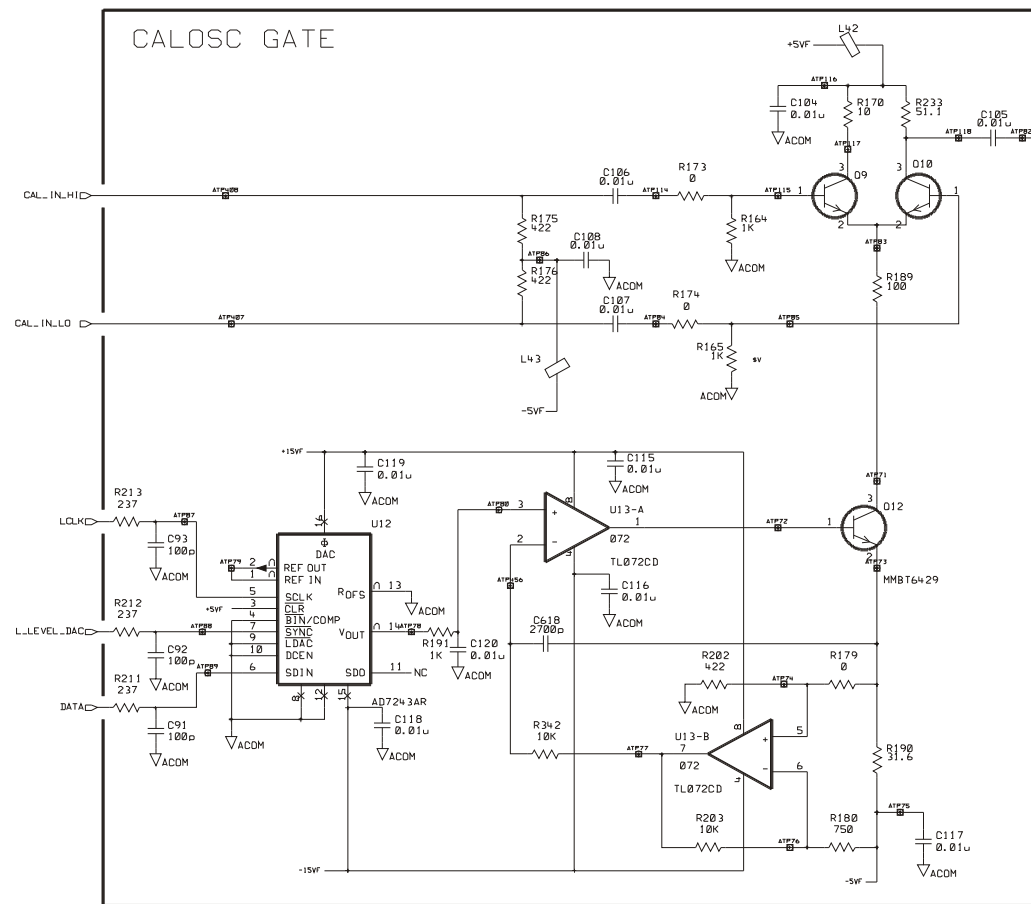
REVISIONS
SEE PAGE 1 FOR REVISION HISTORY



HP RESTRICTED
 THIS DOCUMENT CONTAINS CONFIDENTIAL.
 PROPRIETARY INFORMATION THAT IS
 HEWLETT-PACKARD (HP) PROPERTY.
 DO NOT DISCLOSE TO OR DUPLICATE FOR
 OTHERS EXCEPT AS AUTHORIZED BY HP.

LAST CHECKED	DATE	SCHEMATIC, PWA VMA RF BOARD 300MHZ LO DISTRIBUTION	HEWLETT PACKARD 5300
ENGINEER	SHEET 1 OF 1		
DRAWN BY	SIZE B	TITLE \$HP_E4406/60009/BA3843/300mhz_dist sheet1	E4406-60009 PART NUMBER
	BA 384 3 ASSY. REV	A 384 3 BRD. REV	PAGE 7 OF 11 DWG. NO. B-E4406-60009-1

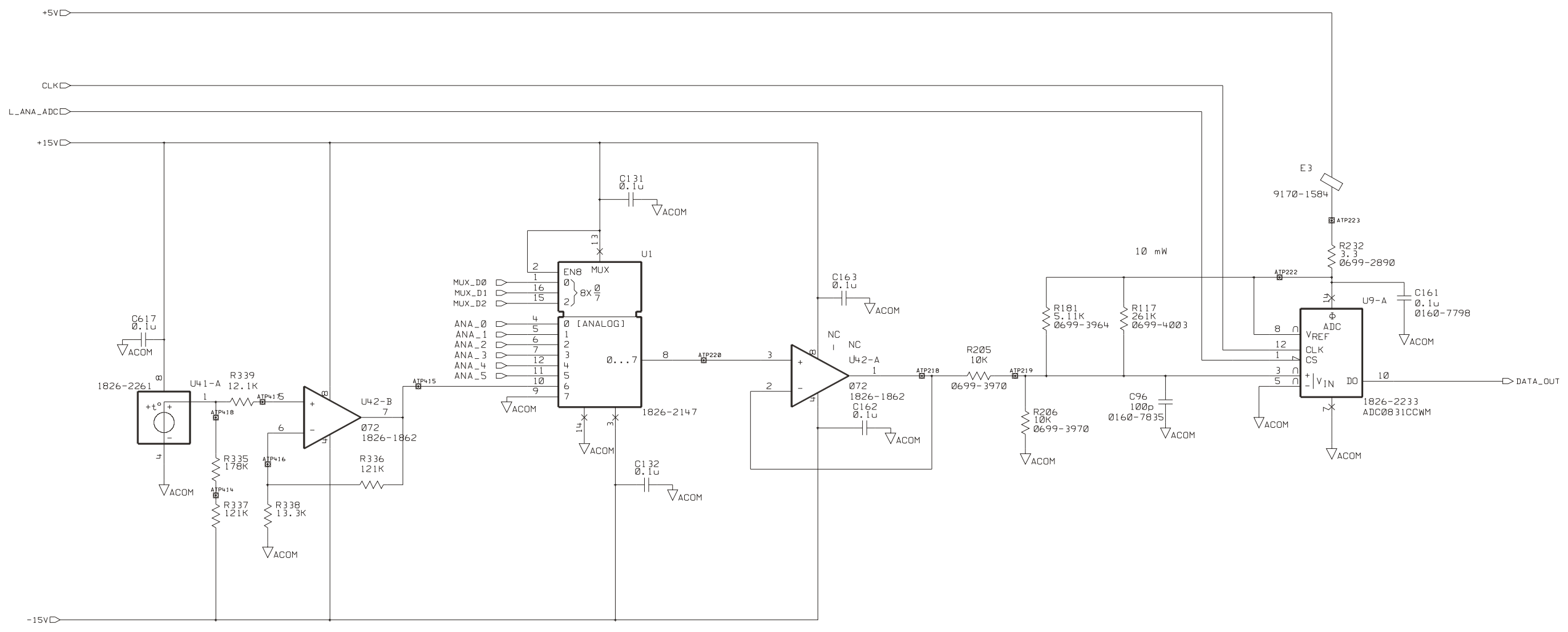
REVISIONS	
SEE PAGE 1 FOR REVISION HISTORY	



HP RESTRICTED
 THIS DOCUMENT CONTAINS CONFIDENTIAL PROPRIETARY INFORMATION THAT IS HEWLETT-PACKARD (HP) PROPERTY. DO NOT DISCLOSE TO OR DUPLICATE FOR OTHERS EXCEPT AS AUTHORIZED BY HP.

LAST CHECKED		DATE	SCHEMATIC, PWA VMA RF BOARD IF CALIBRATOR		HP HEWLETT PACKARD 5380
ENGINEER	SHEET 1 OF 1	DATE	TITLE		
DRAWN BY	SIZE C	DATE	HP_E4406/60009/BA3843/IF_calibration_sheet1		
ASSY. REV	BA 384 3	BRD. REV	A 384 3	8 11	C-4406-60009-1 DWG. NO.

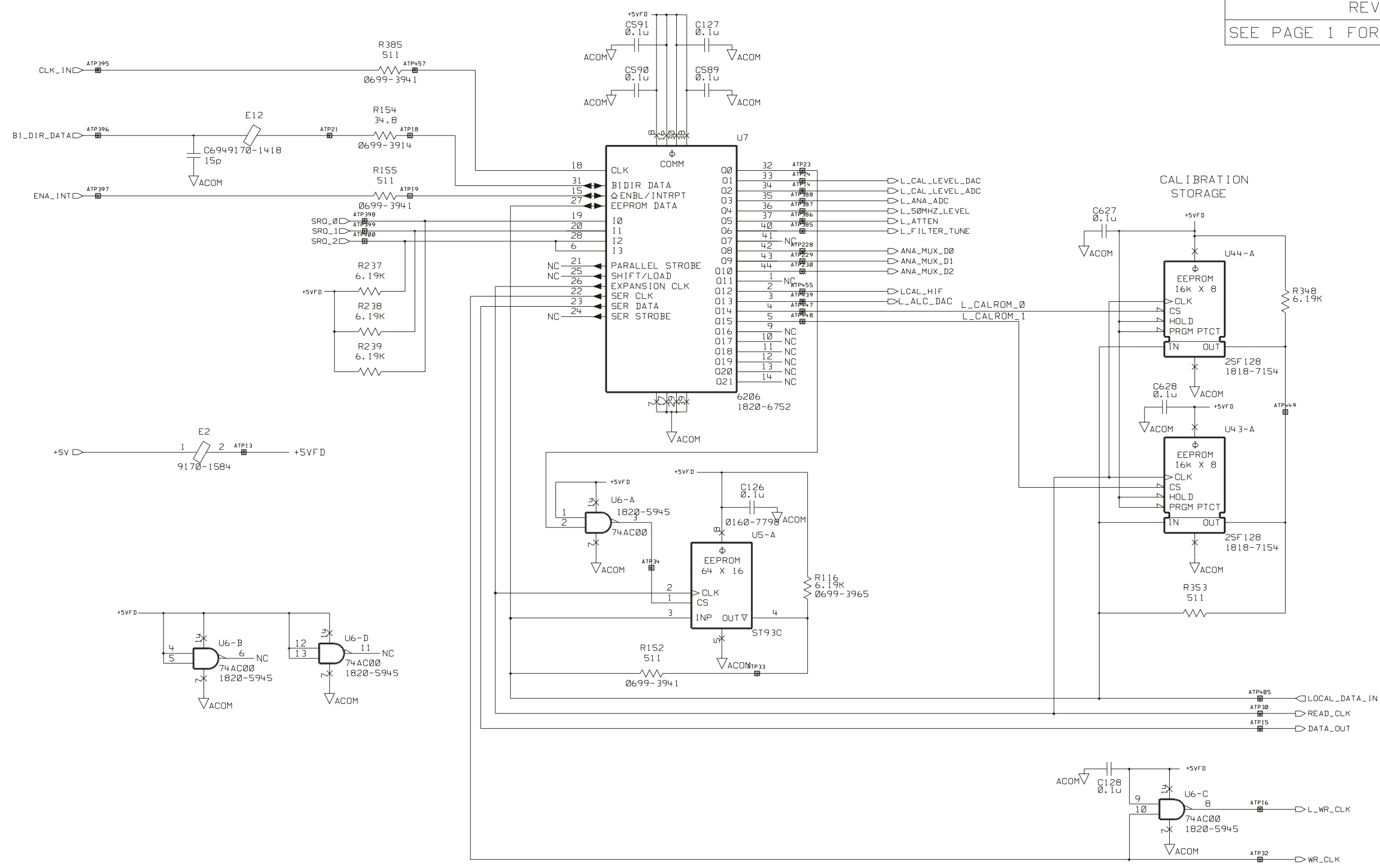
REVISIONS
SEE PAGE 1 FOR REVISION HISTORY



HP RESTRICTED
 THIS DOCUMENT CONTAINS CONFIDENTIAL,
 PROPRIETARY INFORMATION THAT IS
 HEWLETT-PACKARD (HP) PROPERTY.
 DO NOT DISCLOSE TO OR DUPLICATE FOR
 OTHERS EXCEPT AS AUTHORIZED BY HP.

LAST CHECKED	DATE	SCHEMATIC, PWA VMA RF BOARD ANALOG TEST		HEWLETT PACKARD 5300
ENGINEER	SHEET 1 OF 1			
DRAWN BY	SIZE B	TITLE	E4406-60009 PART NUMBER	
	BA 3843 ASSY. REV	\$HP_E4406/60009/BA3843/Analog_Test sheet1 A 3843 BRD. REV		
		PAGE 9 OF 11	B-E4406-60009-1 DWG. NO.	

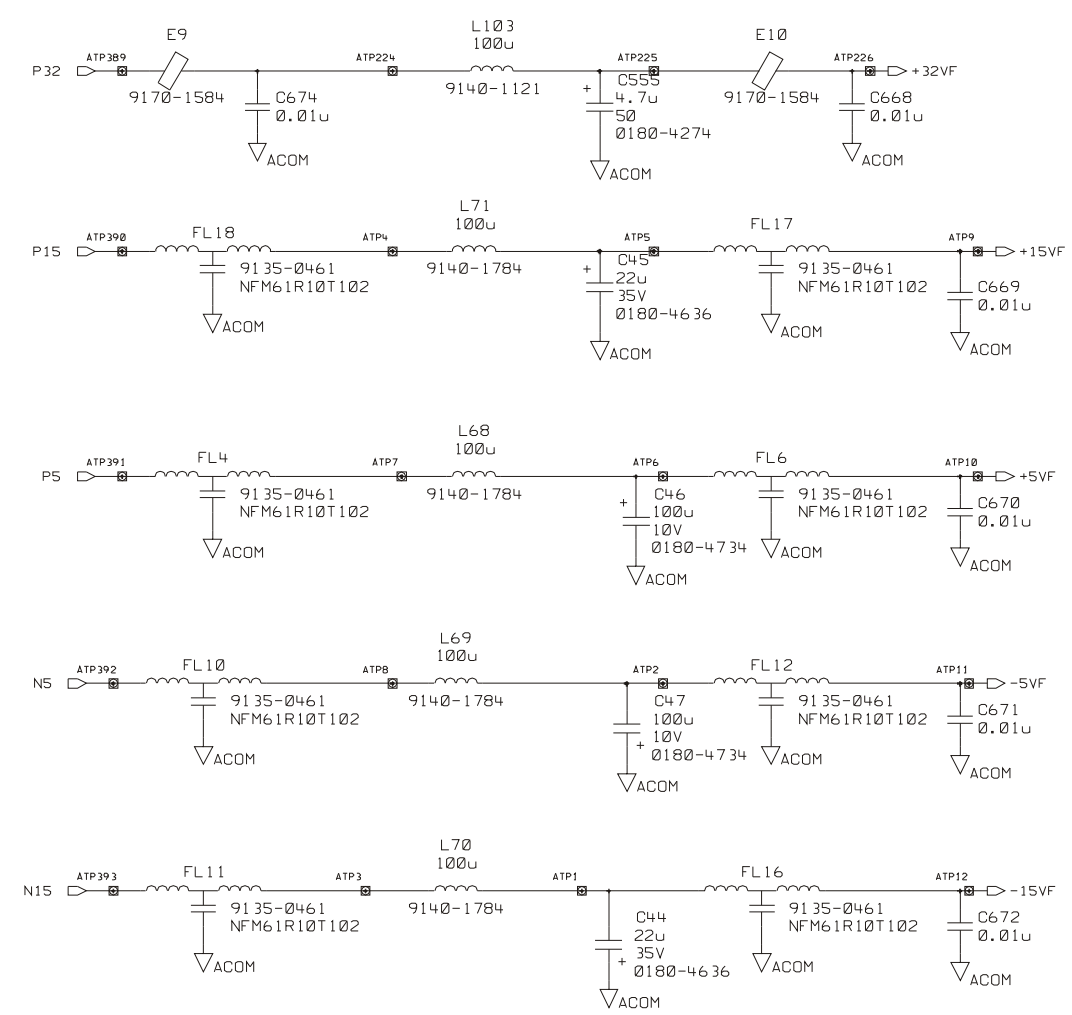
REVISIONS
SEE PAGE 1 FOR REVISION HISTORY



HP RESTRICTED
THIS DOCUMENT CONTAINS CONFIDENTIAL,
PROPRIETARY INFORMATION THAT IS
HEWLETT-PACKARD (HP) PROPERTY.
DO NOT DISCLOSE TO OR DUPLICATE FOR
OTHERS EXCEPT AS AUTHORIZED BY HP.

LAST CHECKED	DATE	SCHEMATIC, PWA VMA RF BOARD SERIAL INTERFACE	HEWLETT PACKARD 5300
ENGINEER	SHEET 1 OF 1		
DRAWN BY	SIZE B	TITLE	E4406-60009 PART NUMBER
	BA 384 3 ASSY. REV	A 384 3 BRD. REV	10 11 PAGE OF B-E4406-60009-1 DWG. NO.

REVISIONS	
SEE PAGE 1 FOR REVISION HISTORY	



HP RESTRICTED
 THIS DOCUMENT CONTAINS CONFIDENTIAL,
 PROPRIETARY INFORMATION THAT IS
 HEWLETT-PACKARD (HP) PROPERTY.
 DO NOT DISCLOSE TO OR DUPLICATE FOR
 OTHERS EXCEPT AS AUTHORIZED BY HP.

LAST CHECKED	DATE	SCHEMATIC, PWA VMA RF BOARD SUPPLY FILTERS	HEWLETT PACKARD 5300
ENGINEER	SHEET 1 OF 1		
DRAWN BY	SIZE B	TITLE \$HP_E4406/60009/BA3843/supply_filters sheet1	E4406-60009 PART NUMBER
	BA 384 3 ASSY. REV	A 384 3 BRD. REV	PAGE 11 OF 11 DWG. NO. B-E4406-60009-1