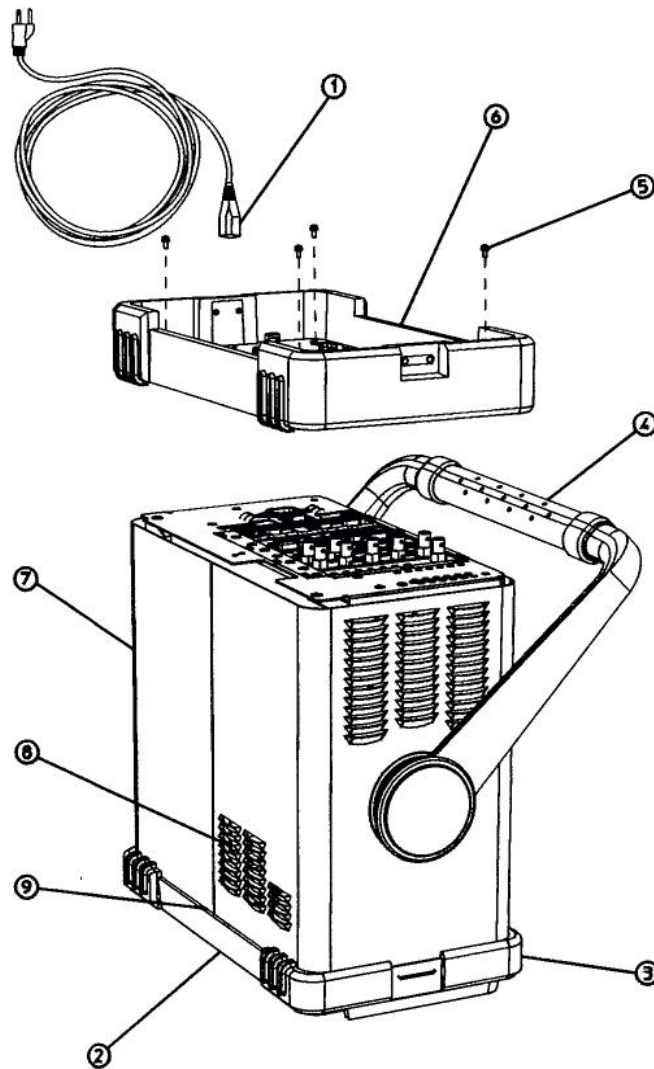

Instrument Outer Case

Figure 6-2 Outer Case, Rear Frame Removal



sl745b

Removal

1. Referring to Figure 6-2 disconnect the spectrum analyzer from ac power (1).
2. Remove any adapters or cables (2) connected to the front frame.
3. Carefully place the analyzer on the work surface with the front frame (3) facing down.
4. Position the handle (4) as shown.
5. Remove the four screws (5) that hold the rear frame and outer case in place.
6. Remove the rear frame (6).
7. Pull the outer cover off towards the rear of the analyzer.

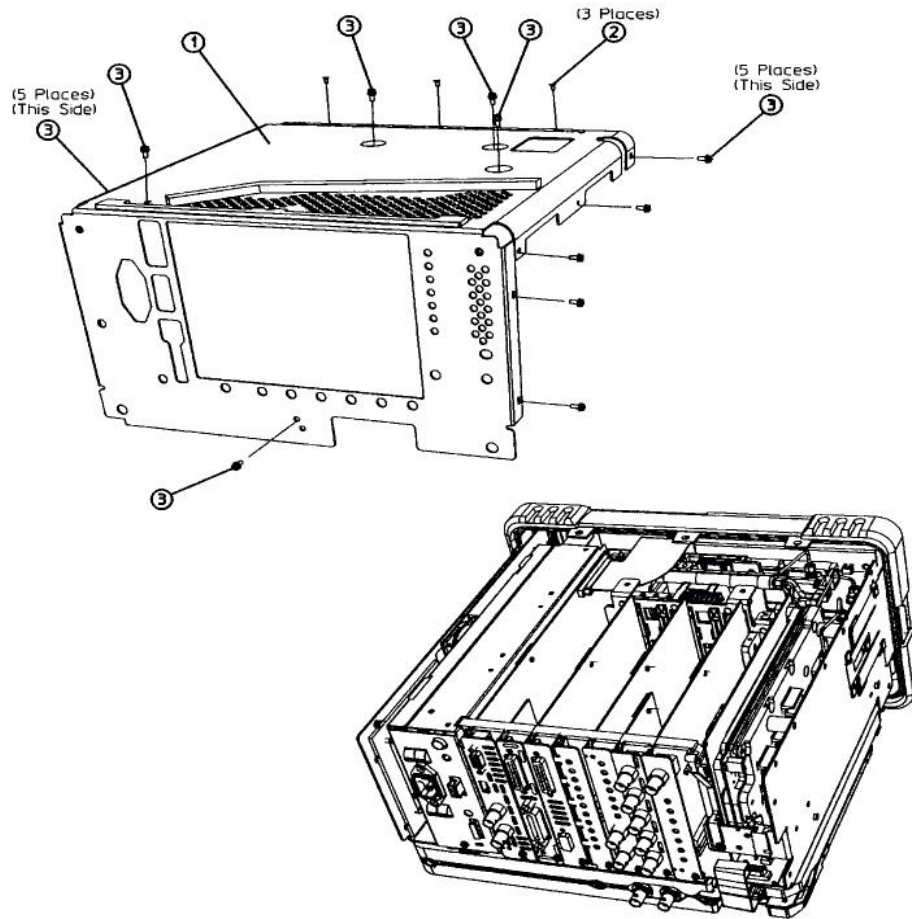
Replacement

1. Referring to Figure 6-2, disconnect the spectrum analyzer from ac power (1).
2. Remove any adapters or cables (2) connected to the front frame.
3. Carefully place the spectrum analyzer on the work surface with the front frame (3) facing down.
4. Replace the analyzer outer case, matching the grill (8) on the bottom of the case to the bottom of the analyzer.
5. Fit the leading edge of the case completely into the slot (9) on the back of the front frame assembly.
6. Replace the rear frame assembly (6) using the four screws (5) to fasten the rear frame to the analyzer. Tighten them to 21 inch-pounds.

Chassis Cover

Figure 6-3

Chassis Cover Removal



sl746b

Removal

1. If you haven't already done so, remove the instrument outer case. Refer to the removal procedure "Instrument Outer Case" on page 258.
2. Lay the analyzer flat as shown in Figure 6-3.
3. Remove the 17 screws (2) and (3) attaching the chassis cover (1) to the chassis. Note that the number of screws attaching the chassis cover may vary with option mixes.
4. The chassis cover can now be removed from the chassis.

Replacement

1. Position the chassis cover (1) over the analyzer as shown in Figure 6-3, then lower onto the analyzer.
2. Replace the 17 screws (2) as (3) shown and tighten them to 9 inch-pounds.
3. Replace the outer case. Refer to the replacement procedure “Instrument Outer Case” on page 258.

Vibration Support Bar

Removal

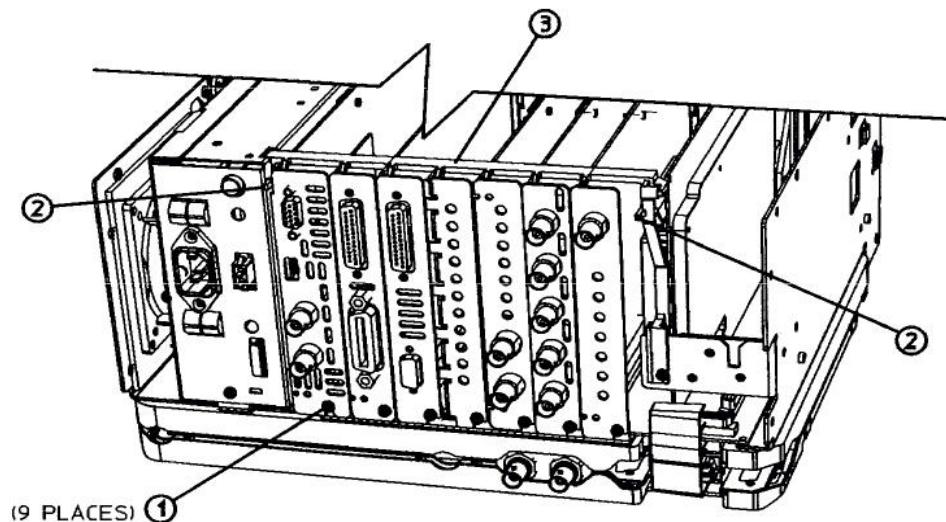
1. Referring to Figure 6-15, loosen, but do not remove, all nine of the screws (1) securing the boards and blank panels at the rear of the chassis.

CAUTION

The vibration support bar is fragile. Use caution to avoid breakage when removing it.

2. On the vibration support bar, press in the locking tabs (2) and rotate the bar (3) upward. Remove the bar by sliding it out of the holes in each of the assemblies and lifting it up.

Figure 6-15 Removing the Vibration Support Bar



sl754b

Replacing the Vibration Support Bar

1. Referring to Figure 6-16, replace the vibration support bar (1) as follows:
 - a. Position the vibration support bar (1) as shown and insert the hook (2) into the A3 IF assembly's support arm.
 - b. Engage each hook (3) of the other assemblies or blank panels.
 - c. After you position each of the assemblies or blank panels, rotate (4) the support bar to lock them in place.
 - d. Referring to Figure 6-17, make sure that the tab (1) is positioned in the slot of the power supply chassis and the vibration bar is fully seated and locked (2) into position.

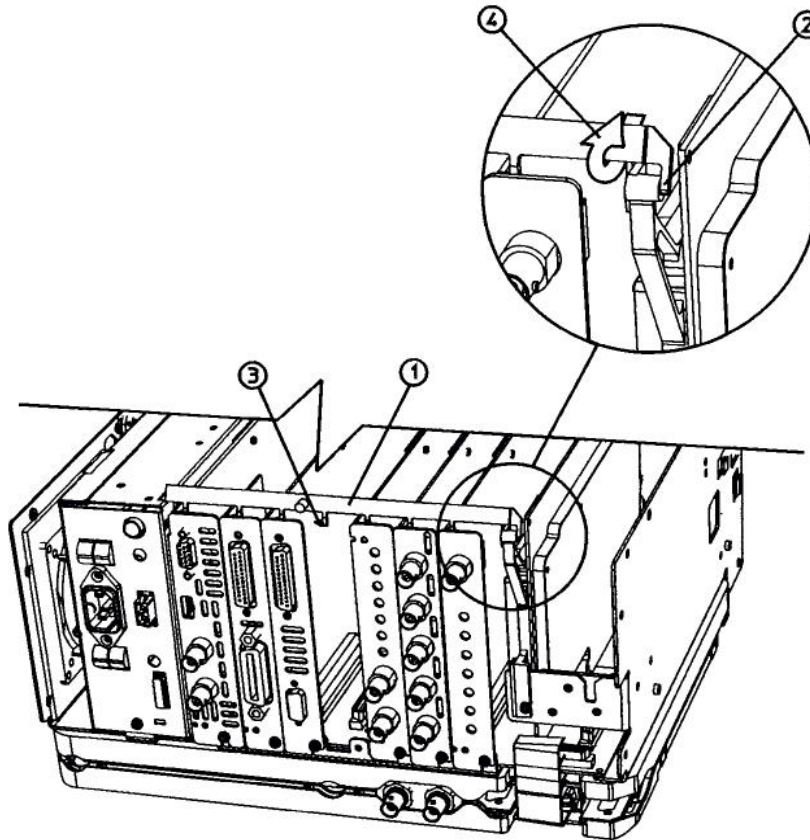
Replacing Assemblies
Vibration Support Bar

CAUTION

The vibration support bar can easily be broken if it is forced. Install it with care.

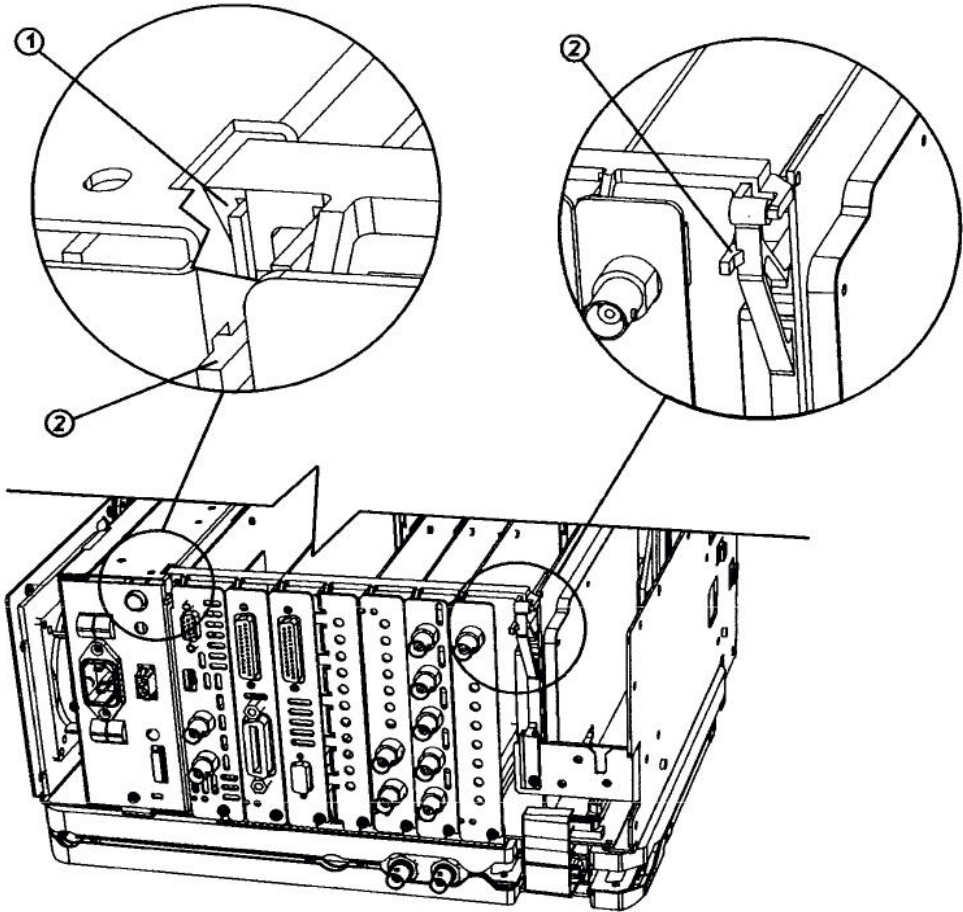
2. Refer to Figure 6-15. Tighten all the screws that were loosened in the removal procedure to 9 inch-pounds.

Figure 6-16 Installing the Vibration Support Bar



sl753b

Figure 6-17 Seating the Vibration Support Bar



sl755b

A4 Processor Assembly

CAUTION

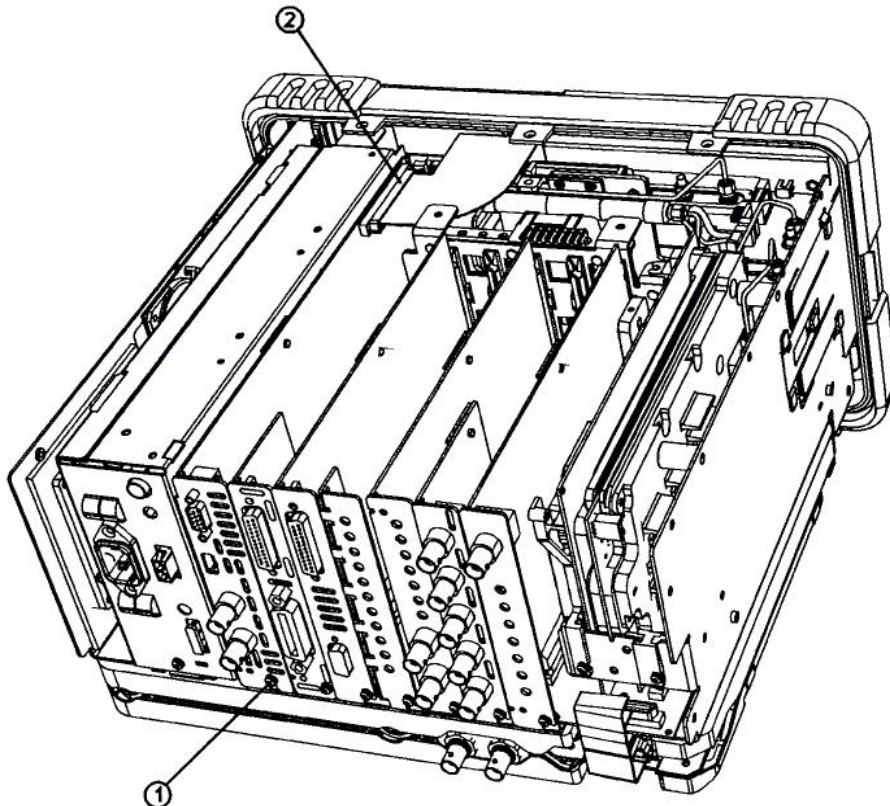
Use ESD precautions when performing this replacement procedure.

Removal

1. Remove the analyzer chassis cover. Refer to the removal procedure “Chassis Cover” on page 260.
2. Remove the vibration support bar. Refer to the removal procedure “Vibration Support Bar” on page 279.
3. Refer to Figure 6-23. Remove the single screw (1) securing the A4 processor assembly to the chassis.
4. Disconnect the front panel ribbon cable (2) from the processor assembly.
5. Carefully lift the processor assembly to remove it from the motherboard connector.

Figure 6-23

A4 Processor Assembly



sl785b

Replacement

1. Carefully plug the processor assembly into the motherboard.
2. Refer to Figure 6-23. Replace the single screw (1) that secures the processor assembly to the chassis, but do not tighten it yet.
3. Reconnect the front panel ribbon cable (2) to the processor assembly.
4. Replace the vibration support bar. Refer to the replacement procedure “Vibration Support Bar” on page 279.
5. Replace the chassis cover. Refer to the replacement procedure “Chassis Cover” on page 260.
6. Replace the outer case. Refer to the replacement procedure “Instrument Outer Case” on page 258.
7. Refer to Table 7-2 on page 338 for the related adjustments and performance verification tests required for each assembly.

A4MAU58 Battery

CAUTION

Use ESD precautions when performing this replacement procedure.

WARNING

There is a danger of explosion if the battery is incorrectly replaced. Replace only with the same or equivalent type recommended. Discard used batteries according to manufacturer's instruction.



DO NOT THROW BATTERIES AWAY BUT COLLECT AS SMALL CHEMICAL WASTE.

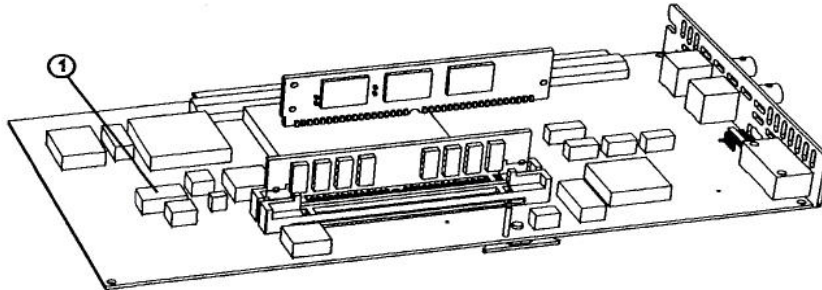
sk780a

Removal and Replacement

1. Remove the A4 processor assembly from the analyzer. Refer to the removal procedure "A4 Processor Assembly" on page 291.
2. Refer to Figure 6-25. Gently pry the A4MAU58 lithium battery from the processor board.
3. Insert the new battery, ensuring proper polarity as indicated on the socket.
4. Replace the processor assembly in the analyzer. Refer to the replacement procedure "A4 Processor Assembly" on page 291.
5. Refer to Table 7-2 on page 338 for the related adjustments and performance verification tests required for each assembly.

Figure 6-25

Processor Battery Location



sl759b