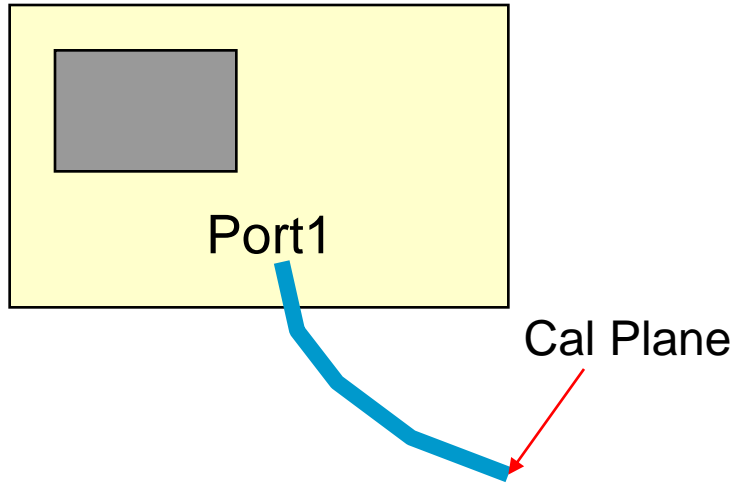


ENA-C Utility Program

Setting-up the Unknown Thru Definition

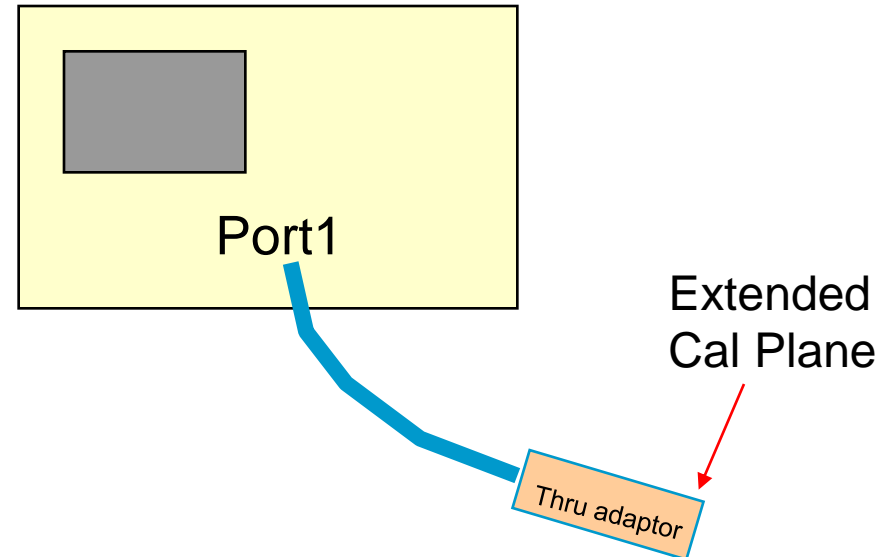
Procedure

Step1: Perform Open Response Cal at Port1



The cal kit #30 will be selected.
Assuming C0=0F, Ofs Dly=0 sec
After performing the response cal, the cal kit number will be backed to the initial setup.

Step2: Perform Automatic Port Extension at Port1

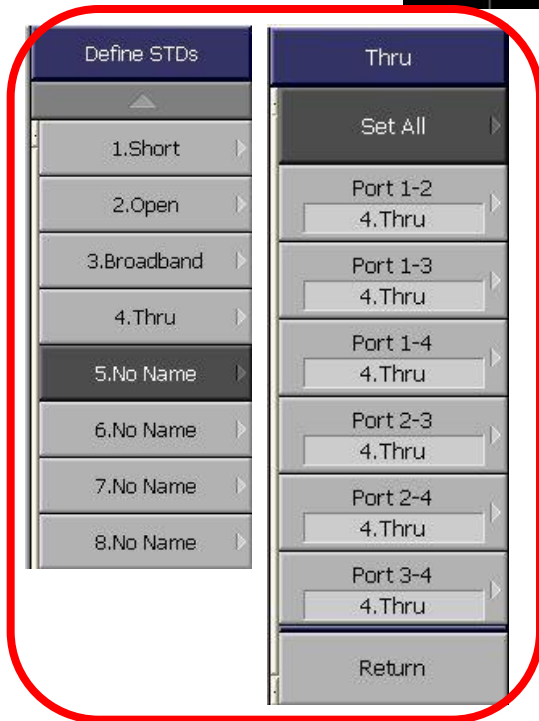
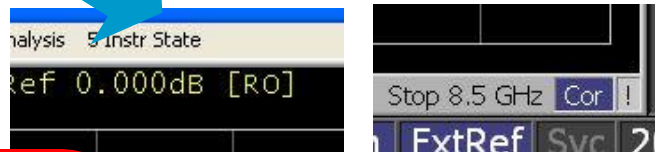
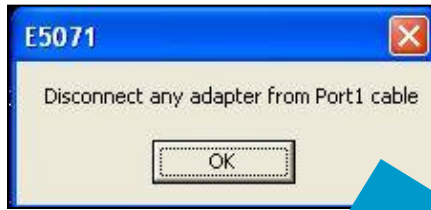


The estimated delay time of the unknown thru is acquired using the automatic port extension function.

The value is used for the offset delay for the unknown thru definition.

The unknown thru is also selected in specifying class among ports.

Procedure



The program automatically set the unknown thru definition and the class settings.

