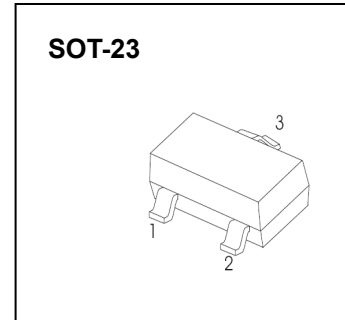




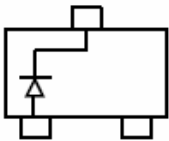
**SOT-23 Plastic-Encapsulate Diodes**

**MMBD4148A/SE/CC/CA SWITCHING DIODE**



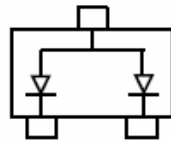
**FEATURES**

- Fast Switching Speed
- For General Purpose Switching Applications
- High Conductance

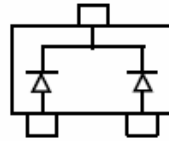


**MARKING:**

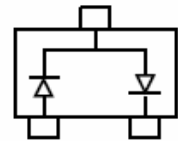
MMBD4148A:5H



MMBD4148CA :D6



MMBD4148CC :D5



MMBD4148SE :D4

**Maximum Ratings @Ta=25°C**

Parameter	Symbol	Limit	Unit
Non-Repetitive Peak Reverse Voltage	$V_{RM}$	100	V
Peak Repetitive Peak Reverse Voltage	$V_{RRM}$	100	V
Working Peak Reverse Voltage	$V_{RWM}$		
DC Blocking Voltage	$V_R$		
RMS Reverse Voltage	$V_{R(RMS)}$	53	V
Forward Continuous Current	$I_{FM}$	300	mA
Average Rectified Output Current	$I_O$	200	mA
Peak Forward Surge Current @t=1.0μs	$I_{FSM}$	2.0	A
@ t=1.0s		1.0	
Power Dissipation	$P_D$	350	mW
Thermal Resistance Junction to Ambient	$R_{\theta JA}$	357	°C/W
Junction Temperature	$T_j$	150	°C
Storage Temperature	$T_{STG}$	-55~+150	°C

**Electrical Ratings @Ta=25°C**

Parameter	Symbol	Min	Typ	Max	Unit	Conditions
Reverse breakdown voltage	$V_{(BR)1}$	100			V	$I_R=100\mu A$
	$V_{(BR)2}$	75			V	$I_R=5\mu A$
Forward voltage	$V_F$			1	V	$I_F=10mA$
Reverse current	$I_{R1}$			5	μA	$V_R=75V$
	$I_{R2}$			25	nA	$V_R=25V$
Capacitance between terminals	$C_T$			4	pF	$V_R=0V, f=1MHz$
Reverse recovery time	$t_{rr}$			4	ns	$I_F=I_R=10mA, V_R=6V, I_{rr}=0.1XI_R, R_L=100\Omega$

# Typical Characteristics

# MMBD4148CA

