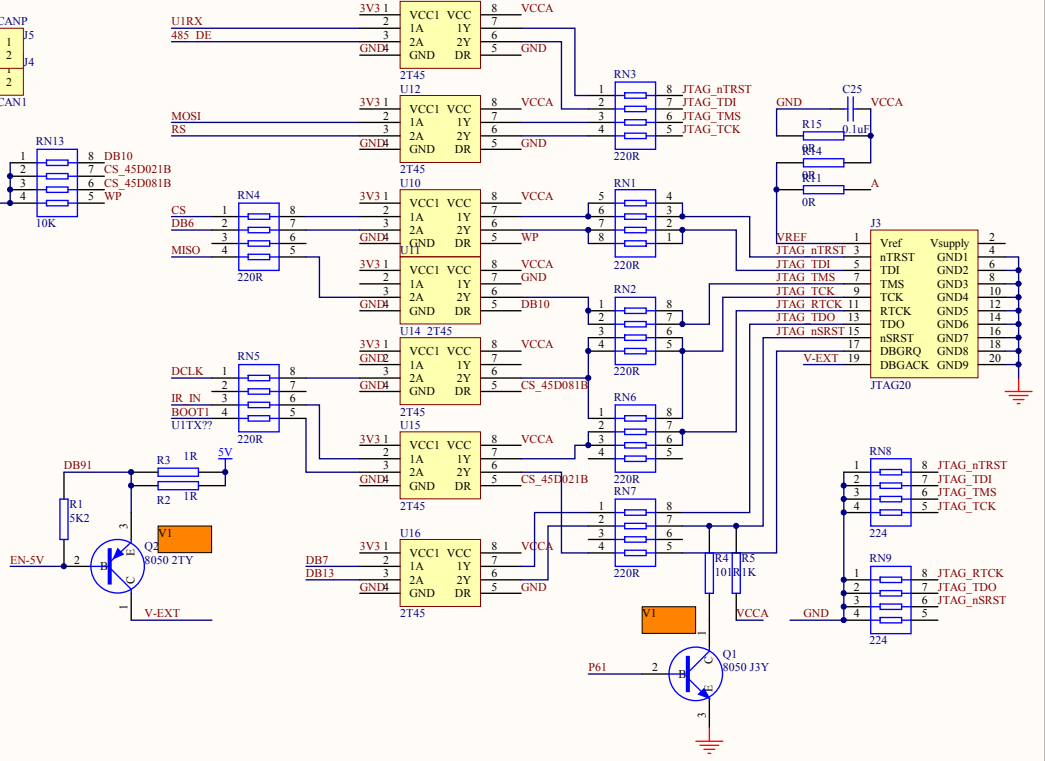
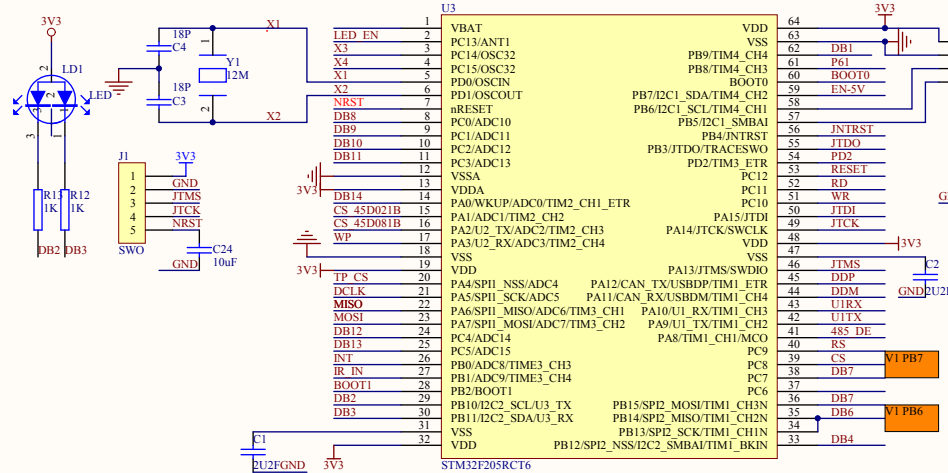


13 JTAG P5=TX P17=RX



Title		
Size	Number	Revision
A3		
Date:	2014-7-9	Sheet of
File:	C:\Documents and Settings\jlink\9-2.SchDrawn By:	