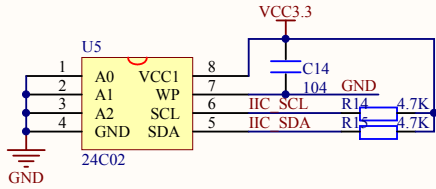
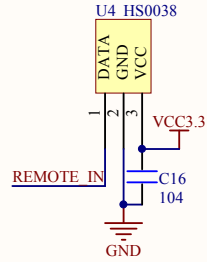


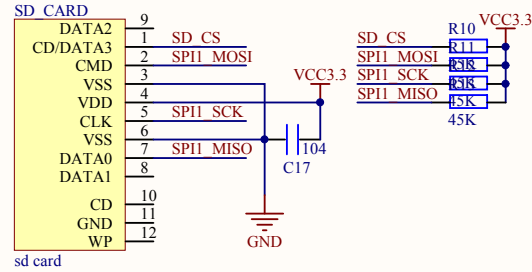
EEPROM



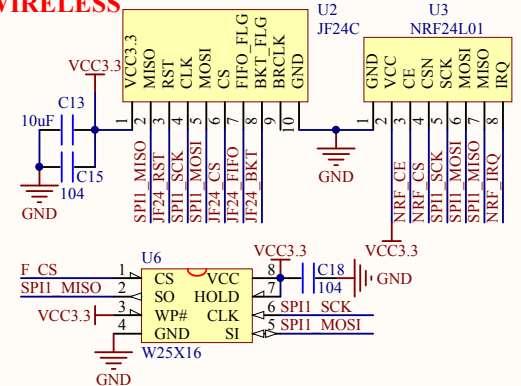
REMOTE



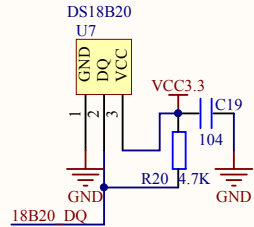
SD_CARD



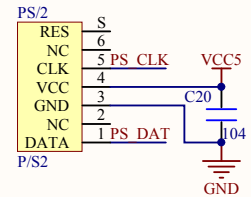
WIRELESS



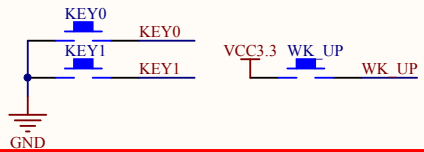
TEMPERATURE



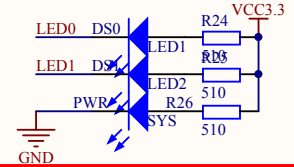
PS/2



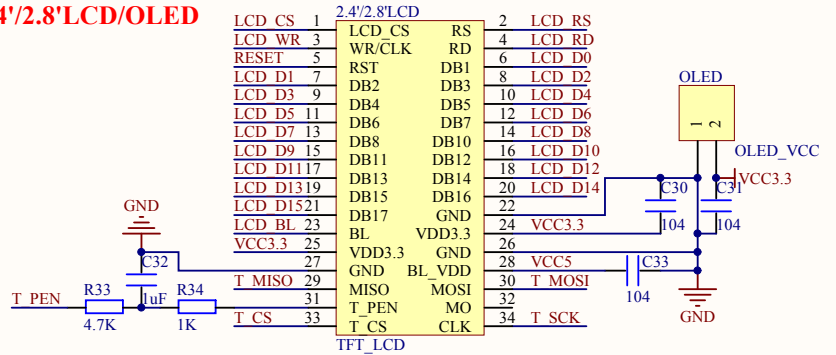
KEY



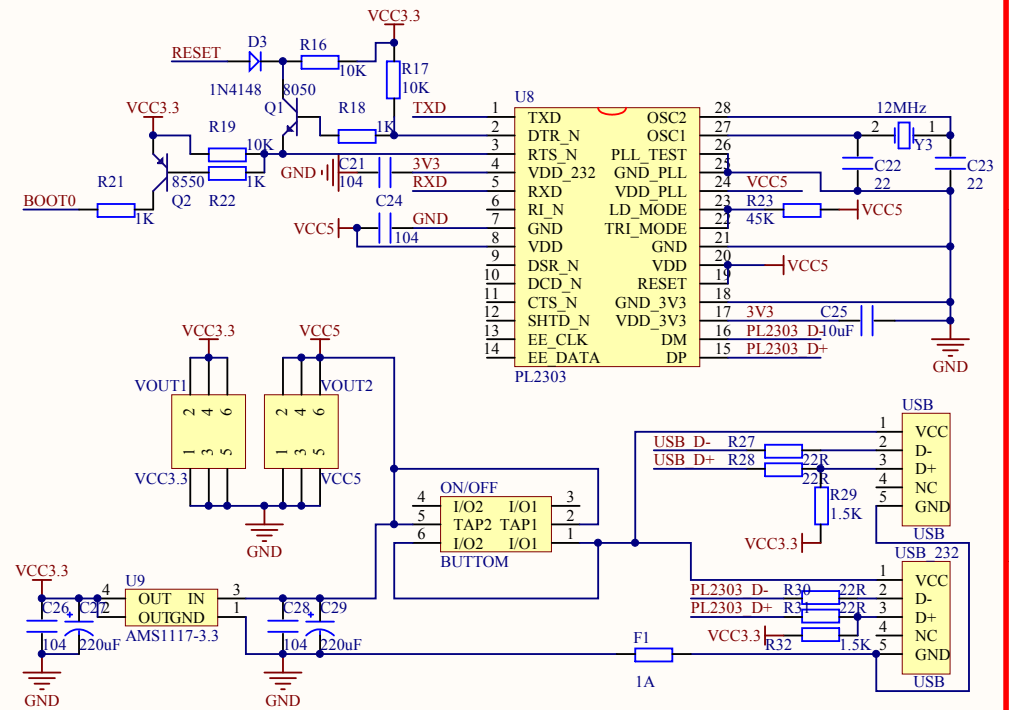
LED



2.4/2.8"LCD/OLED



USB_232/USB/POWER



File:	
DEVICES	
Author:	Size:
liujun6037	A4
Date:	File:
2011-11-17	_SchDoc
Revision:	Version:
0	V1.9



