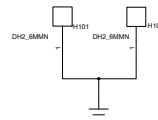
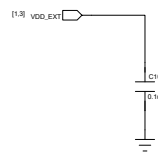
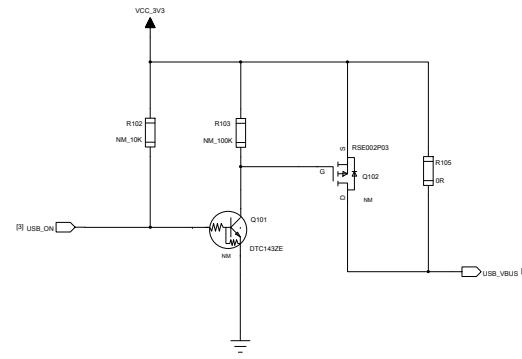
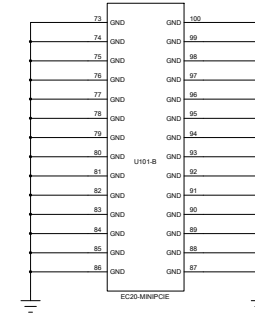
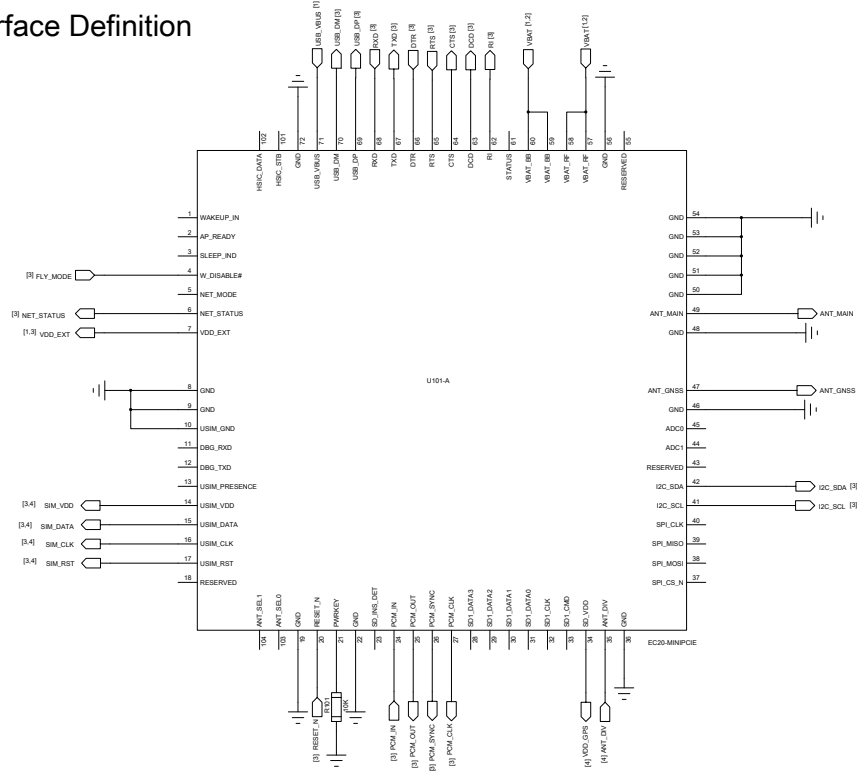


EC20 Interface Definition

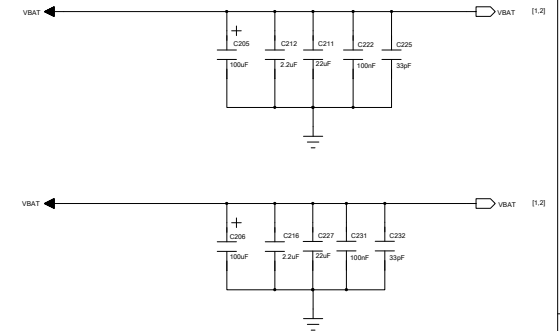
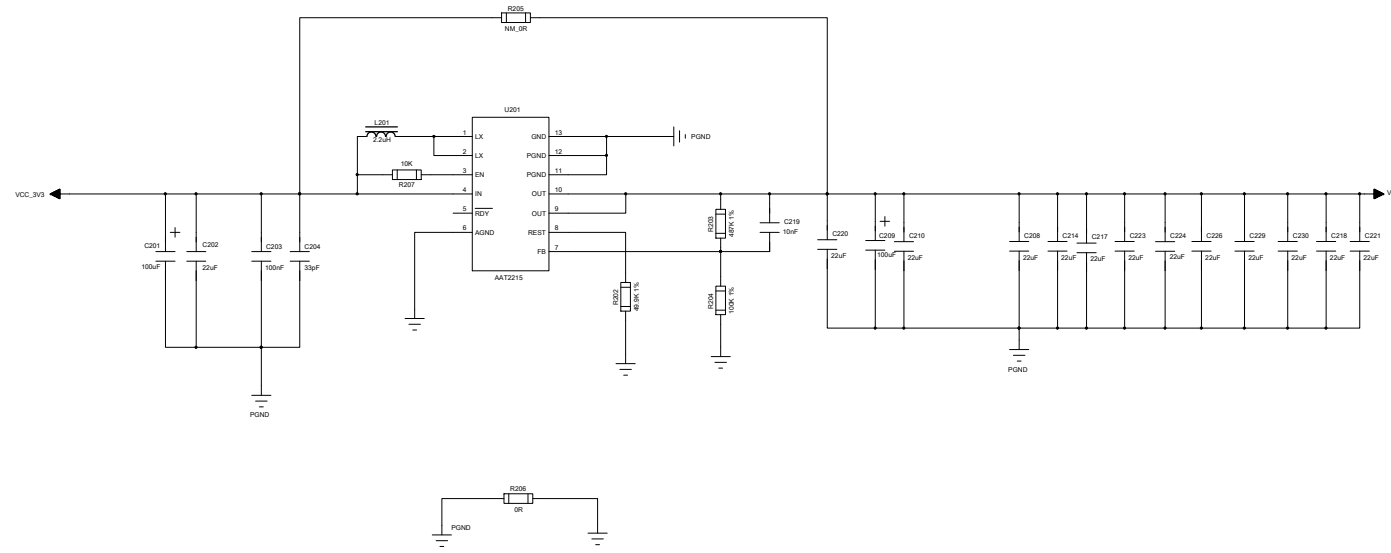


Quectel Technology

DRAWN BY <Mountain>	PROJECT EC20-MINIPICIE	TITLE Moudle_Interface
CHECKED BY <NAME HERE>	SIZE A2	VER 1.02
SHEET 1 of 4		<2015.06>

$$V_{out} = [(R203 + R204) / R204] * 0.6$$

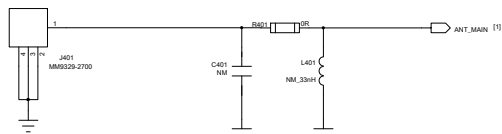
Typ.=3.53 lin_limit=4A



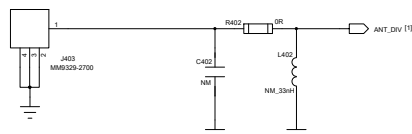
Quectel Technology

DRAWN BY <Radom>	PROJECT EC20-MINIPCIE	TITLE Power_Design
CHECKED BY <NAME HERE>	SIZE A2	VER 1.01
SHEET 2 of 4		<2014.10>

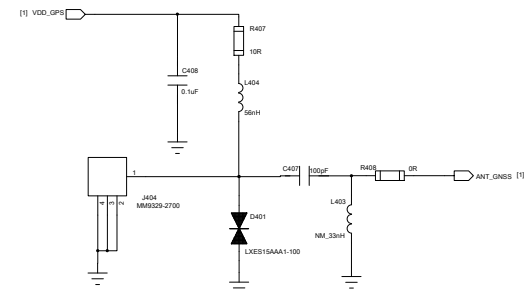
Main Antenna Interface



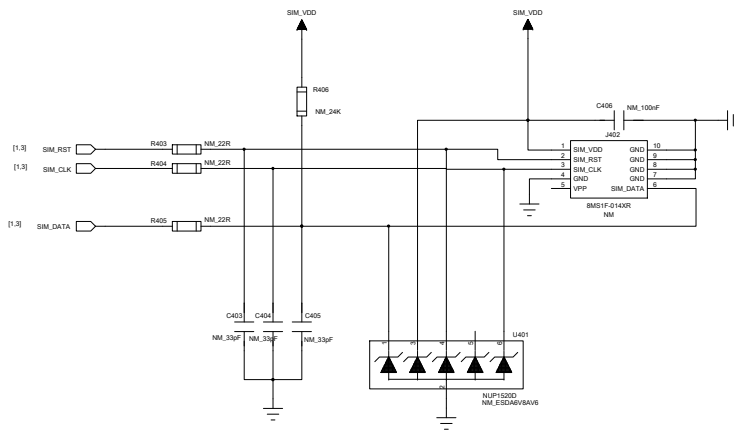
DIV Antenna Interface



GPS Interface



USIM



Quectel Technology

DRAWN BY <Radom>	PROJECT EC20-MINIPCIE	TITLE RF Connector
CHECKED BY <NAME HERE>	SIZE A2	VER 1.01
	SHEET 4 of 4	<2014.10>