

nRF51 Series Reference Manual

Version 2.1

The nRF51 series offers a range of ultra-low power System on Chip solutions for your 2.4 GHz wireless products. With the nRF51 series you have a diverse selection of devices including those with embedded *Bluetooth*[®] low energy and/or ANT[™] protocol stacks as well as open devices enabling you to develop your own proprietary wireless stack and ecosystem.

The nRF51 series combines Nordic Semiconductor's leading 2.4 GHz transceiver technology with a powerful but low power ARM[®] Cortex[™]-M0 core, a range of peripherals and memory options. The pin and code compatible devices of the nRF51 series offer you the most flexible platform for all your 2.4 GHz wireless applications.

Liability disclaimer

Nordic Semiconductor ASA reserves the right to make changes without further notice to the product to improve reliability, function or design. Nordic Semiconductor ASA does not assume any liability arising out of the application or use of any product or circuits described herein.

Life support applications

Nordic Semiconductor's products are not designed for use in life support appliances, devices, or systems where malfunction of these products can reasonably be expected to result in personal injury. Nordic Semiconductor ASA customers using or selling these products for use in such applications do so at their own risk and agree to fully indemnify Nordic Semiconductor ASA for any damages resulting from such improper use or sale.

Contact details

For your nearest dealer, please see <http://www.nordicsemi.com>.

Information regarding product updates, downloads, and technical support can be accessed through your My Page account on our homepage.

Main office: Otto Nielsens veg 12
7052 Trondheim
Norway

Phone: +47 72 89 89 00

Fax: +47 72 89 89 89

Mailing address: Nordic Semiconductor
P.O. Box 2336
7004 Trondheim
Norway



Revision History

Date	Version	Description
November 2013	2.1	<p>Updated content:</p> <ul style="list-style-type: none"> • <i>Table 6 "Register overview"</i> on page 19. • <i>Figure 72 "Low power comparator"</i> on page 181. • <i>Section 31.4.5 "REFSEL"</i> on page 185.
October 2013	2.0	<p>New sections and chapters added:</p> <ul style="list-style-type: none"> • Added <i>Section 6.1.1 "Override parameters"</i> on page 18. • Added <i>Section 6.2.17 "BLE_1MBIT[n] (n=0..4)"</i> on page 23. • Added <i>Section 6.2.15 "OVERRIDDEN"</i> on page 23. • Added <i>Section 6.2.16 "NRF_1MBIT[n] (n=0..4)"</i> on page 23. • Added <i>Section 16.1.7 "CRC"</i> on page 76. • Added <i>Section 16.2.29 "BCC"</i> on page 94. • Added <i>Section 16.2.30 "OVERRIDE[n] (n=0..3)"</i> on page 94. • Added <i>Section 16.2.31 "OVERRIDE[4]"</i> on page 95. • Added <i>Chapter 26 "SPI Slave (SPIS)"</i> on page 143. • Added <i>Chapter 31 "Low Power Comparator (LPCOMP)"</i> on page 181. <p>Sections updated:</p> <ul style="list-style-type: none"> • Updated Block diagram, <i>Figure 1</i> on page 8. • Updated <i>Section 6.2 "Registers"</i> on page 19. • Updated <i>Section 4.1.4 "Random Access Memory (RAM)"</i> on page 12. • Updated <i>Section 5.1.1 "Writing to the NVM"</i> on page 14 (added last sentence). • Updated <i>Section 7.2 "Registers"</i> on page 24. • Updated <i>Section 8.2.1 "PERR0"</i> on page 30. • Updated <i>Section 8.2.3 "PROTENSET0"</i> on page 32. • Updated <i>Section 8.2.4 "PROTENSET1"</i> on page 33. • Updated <i>Section 8.2.5 "DISABLEINDEBUG"</i> on page 33. • Updated <i>Section 11.1.2 "System OFF mode"</i> on page 45. • Updated <i>Section 11.1.5 "RAM blocks"</i> on page 48. • Updated <i>Section 16.1.1 "EasyDMA"</i> on page 73. • Updated <i>Section 16.1.5 "Received Signal Strength Indicator (RSSI)"</i> on page 75. • Updated <i>Section 16.1.15 "Override registers"</i> on page 82. • Updated <i>Section 16.2 "Register"</i> on page 83. • Updated <i>Section 18.1.6 "Event Control feature"</i> on page 103. • Updated <i>Section 23.1.7 "EasyDMA and ERROR event"</i> on page 129. • Updated <i>Section 24.1.4 "EasyDMA"</i> on page 134. • Updated <i>Section 28.5 "Reception"</i> on page 161.
March 2013	1.1	<ul style="list-style-type: none"> • Updated DC/DC converter setup description in <i>Section 11.1.1.1 "DC/DC converter setup"</i> on page 40. • Updated values in <i>Section 16.1.9 "Maximum consecutive transmission time"</i> on page 77.
January 2013	1.0	First release

1 About this document

This reference manual is a functional description of all the modules and peripherals supported by the nRF51 series and subsequently, is a common document for all nRF51 System on Chip (SoC) devices.

Note: nRF51 SoC devices may not support all the modules and peripherals described in this document and some of their implemented modules may have a reduced feature set. Please refer to the individual nRF51 device product specification for details on the supported feature set, electrical and mechanical specifications, and application specific information.

1.1 Writing conventions

This Reference Manual follows a set of typographic rules to ensure that the document is consistent and easy to read. The following writing conventions are used:

- Command and event names, and bit state conditions are written in `Lucida Console`.
- Pin names and pin signal conditions are written in `Consolas`.
- File names and User Interface components are written in **bold**.
- Internal cross references are italicized and written in *semi-bold*.
- Placeholders for parameters are written in *italic regular font*. For example, a syntax description of `SetChannelPeriod` will be written as: `SetChannelPeriod(ChannelNumber, MessagingPeriod)`.
- Fixed parameters are written in regular text font. For example, a syntax description of `SetChannelPeriod` will be written as: `SetChannelPeriod (0, Period)`.

1.1.1 Peripheral naming and abbreviations

Every peripheral has a unique name or an abbreviation constructed by a single word, e.g. TIMER. This name is indicated in parentheses in the peripheral chapter heading. This name will be used in CMSIS to identify the peripheral.

The peripheral instance name, which is different from the peripheral name, is constructed using the peripheral name followed by a numbered postfix, starting with 0, for example, TIMER0. A postfix is normally only used if a peripheral can be instantiated more than once. The peripheral instance name is also used in the CMSIS to identify the peripheral instance.

If two or more fields are closely related, the value ID, value, and description may be omitted for all but the first field. Subsequent fields will indicate inheritance with "...".

Bit number	31	30	29	28	27	26	25	24	23	22	21	20	19	18	17	16	15	14	13	12	11	10	9	8	7	6	5	4	3	2	1	0
ID (Field ID)	0	1	-	-	-	-	-	-	-	-	-	-	-	-	-	-	F	E	D	C	-	-	-	-	B	B	B	B	A	A	A	A
Reset value	0	0	0	0	0	0	0	0	0	0	0	0	0	0	0	0	0	0	0	0	0	0	0	0	0	0	0	0	0	0	0	
ID	RW	Field	Value ID	Value	Description																											
A	RW	RANGE		[0..15]	Range description uses this syntax																											
B	RW	ENUM			Fields with enumerated values are described like this																											
			ENUMA	0	First enumerated value																											
			ENUMB	4	Second enumerated value																											
			ENUMC	15	Third enumerated value																											
C	RW	IMP0			Register for IMP number 0 with implicit enumerated values, acting as parent for subsequent IMP registers.																											
				0	Disable																											
				1	Enable																											
D	RW	IMP1																												
E	RW	IMP2																												
F	RW	IMP3																												

Table 2 Example of a register table with multiple fields

2 System overview

The nRF51 series of System on Chip (SoC) devices embed a powerful yet low power ARM® Cortex™-M0 processor with our industry leading 2.4 GHz RF transceivers. In combination with the very flexible orthogonal power management system and a Programmable Peripheral Interconnect (PPI) event system, the nRF51 series enables you to make ultra-low power wireless solutions.

The nRF51 series offers pin compatible device options for *Bluetooth* low energy, proprietary 2.4 GHz, and ANT™ solutions giving you the freedom to develop your wireless system using the technology that suits your application the best. Our unique memory and hardware resource protection system allows you to develop applications on devices with embedded protocol stacks running on the same processor without any need to link in the stack or strenuous testing to avoid application and stack from interfering with each other.

2.1 Block diagram

Figure 1 illustrates the overall system. Arrows with white heads indicate signals that share physical pins with other signals.

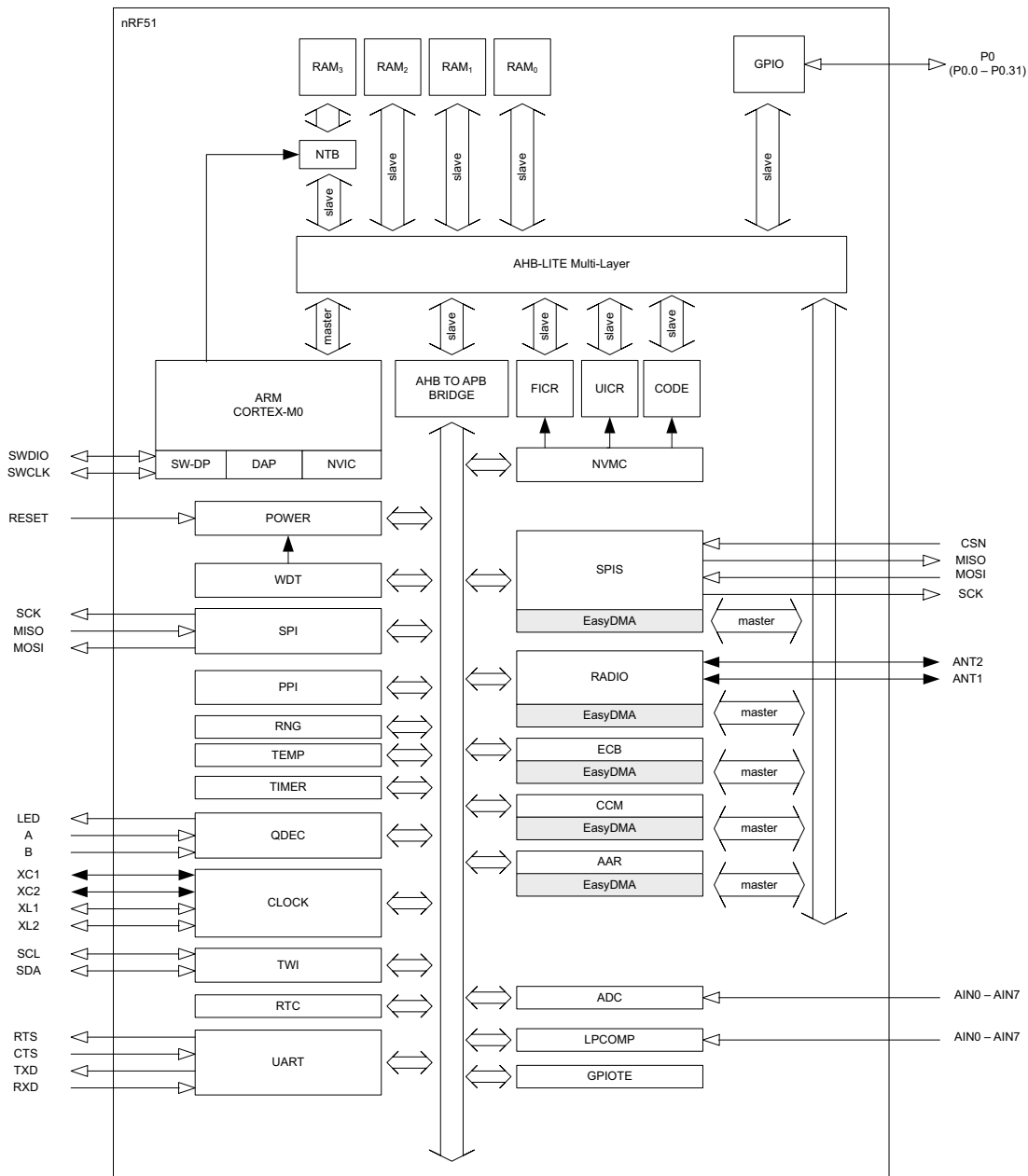


Figure 1 Block diagram

2.2 System blocks

2.2.1 ARM® Cortex™-M0

A low power ARM® Cortex™-M0 32 bit CPU is embedded in all nRF51 series devices. The ARM® Cortex™-M0 has a 16 bit instruction set with 32 bit extensions (**Thumb-2® technology**) that delivers high density code with a small memory footprint. By using a single-cycle 32 bit multiplier, a 3-stage pipeline, and a Nested Vector Interrupt Controller (NVIC), the ARM® Cortex™-M0 CPU makes program execution simple and highly efficient.

The ARM® Cortex Microcontroller Software Interface Standard (CMSIS) hardware abstraction layer for the ARM® Cortex-M processor series is implemented and available for M0 CPU. Code is forward compatible with ARM® Cortex-M3 based devices.

2.2.2 2.4 GHz radio

The nRF51 series ultra-low power 2.4 GHz GFSK RF transceiver is designed and optimized to operate in the worldwide ISM frequency band at 2.400 GHz to 2.4835 GHz. Configurable radio modulation modes and packet structure makes the transceiver interoperable with *Bluetooth* low energy (BLE), ANT™, Gazell, Enhanced Shockburst™, and a range of other 2.4 GHz protocol implementations.

The transceiver receives and transmits data directly to and from system memory. It is stored in clear text even when encryption is enabled, so packet data management is flexible and efficient.

2.2.3 Power management

The nRF51 series power management system is orthogonal and highly flexible with only simple ON or OFF modes governing a whole device. In System OFF mode, everything is powered down but sections of the RAM can be retained. The device state can be changed to System ON through reset or wake up from all GPIOs. When in System ON mode, all functional blocks are accessible with each functional block remaining in IDLE mode and only entering RUN mode when required.

2.2.4 PPI system

The Programmable Peripheral Interconnect (PPI) enables different peripherals to interact autonomously with each other using tasks and events without use of the CPU. The PPI provides a mechanism to automatically trigger a task in one peripheral as a result of an event occurring in another. A task is connected to an event through a PPI channel.

2.2.5 Debugger support

The 2 pin Serial Wire Debug interface (provided as a part of the Debug Access Port, DAP) offers in conjunction with the Basic Branch Buffer (BBB) a flexible and powerful mechanism for non-intrusive program code debugging. This includes adding breakpoints in the code, performing single stepping, and capturing instruction trace of parts of the code execution flow.

3 CPU

A low power ARM® Cortex™-M0 32 bit CPU is embedded in all nRF51 series devices. The ARM® Cortex™-M0 has a 16 bit instruction set with 32 bit extensions (**Thumb-2® technology**) that delivers high density code with a small memory footprint. By using a single-cycle 32 bit multiplier, a 3-stage pipeline, and a Nested Vector Interrupt Controller (NVIC), the ARM® Cortex™-M0 CPU makes program execution simple and highly efficient.

The ARM® Cortex™ Microcontroller Software Interface Standard (CMSIS) hardware abstraction layer for the ARM® Cortex™-M processor series is implemented and available for M0 CPU. Code is forward compatible with ARM® Cortex™-M3 based devices.

For further information on the embedded ARM® Cortex™-M0 CPU, please refer to www.arm.com/products/processors/cortex-m/cortex-m0.php.

4 Memory

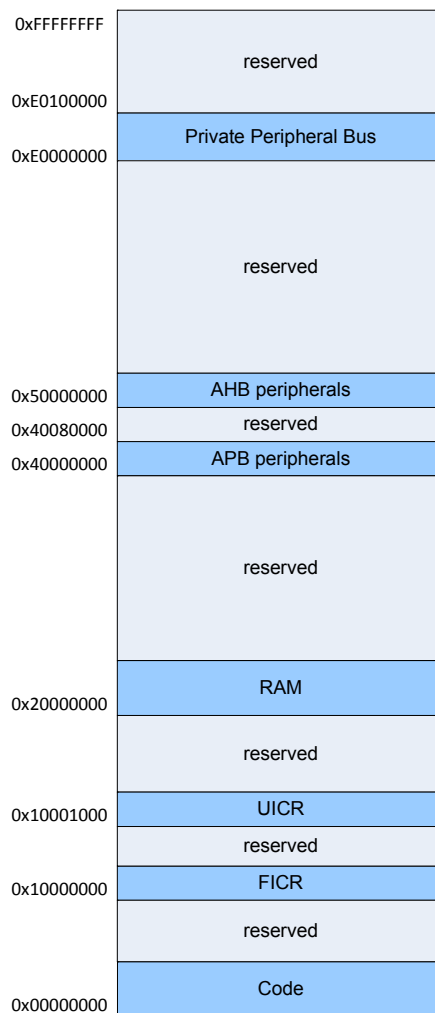


Figure 2 Memory map

4.1 Functional description

All memory blocks and registers in the nRF51 series are placed in a common memory map.

4.1.1 Memory categories

There are three main categories of memory:

- Code memory
- Random Access Memory (RAM)
- Peripheral registers (PER)

In addition, there is one information block (FICR) containing read only parameters describing configuration details of the device and another information block (UICR) that can be configured by the user.

4.1.2 Memory types

The various memory categories can have one of the following memory types:

- Volatile memory (VM)
- Non-volatile memory (NVM)

Volatile memory is a type of memory that will lose its contents when the chip loses power. This memory type can be read/written an unlimited number of times by the CPU.

Non-volatile memory is a type of memory that can retain stored information even when the chip loses power. This memory type can be read an unlimited number of times by the CPU, but have restrictions on the number of times it can be written and also on how it can be written. Writing to non-volatile memory is managed by the Non Volatile Memory Controller (NVMC).

4.1.3 Code memory

The code memory is normally used for storing the program run by the CPU, but can also be used for storing data constants that are retained when the chip loses power.

The code memory is non-volatile.

4.1.4 Random Access Memory (RAM)

RAM is normally used by the CPU program for temporary data storage, but it is also possible to run a CPU program from RAM.

The RAM is divided into multiple RAM blocks that can be further divided into multiple RAM sections, that is, a RAM block may contain one or more RAM sections. More information about how these RAM blocks are divided can be found in the device specific product specifications.

The RAM is located from address 0x20000000 in the address space.

The RAM is volatile and always loses its contents when the chip loses power. The RAM may also lose its contents when entering System OFF power saving mode. Whether the contents of a particular RAM block are lost in System OFF power saving mode is dependent on the settings in the RAMON register in the POWER peripheral.

4.1.5 Peripheral registers

The peripheral registers are registers used for interfacing to peripheral units such as timers, the radio, the ADC, and so on.

4.2 Instantiation

The nRF51 series peripheral instantiation is shown in the table below.

ID	Base address	Peripheral	Instance	Description
0	0x40000000	POWER	POWER	Power control
0	0x40000000	CLOCK	CLOCK	Clock control
1	0x40001000	RADIO	RADIO	2.4 GHz Radio
2	0x40002000	UART	UART0	Universal Asynchronous Receiver/Transmitter 0
3	0x40003000	SPI	SPI0	Serial Peripheral Interface
3	0x40003000	TWI	TWI0	I ² C compatible Two-Wire Interface
4	0x40004000	SPI	SPI1	Serial Peripheral Interface
4	0x40004000	TWI	TWI1	I ² C compatible Two-Wire Interface 1
4	0x40004000	SPIS	SPIS1	SPI slave
6	0x40006000	GPIOTE	GPIOTE	GPIO Tasks and Events
7	0x40007000	ADC	ADC	Analog-to-Digital Converter
8	0x40008000	TIMER	TIMER0	Timer/counter 0
9	0x40009000	TIMER	TIMER1	Timer/counter 1
10	0x4000A000	TIMER	TIMER2	Timer/counter 2
11	0x4000B000	RTC	RTC0	Real Time Counter 0
12	0x4000C000	TEMP	TEMP	Temperature sensor
13	0x4000D000	RNG	RNG	Random number generator
14	0x4000E000	ECB	ECB	Crypto ECB
15	0x4000F000	CCM	CCM	AES CCM mode encryption
15	0x4000F000	AAR	AAR	Accelerated Address Resolver
16	0x40010000	WDT	WDT	Watchdog timer
17	0x40011000	RTC	RTC1	Real Time Counter 1
18	0x40012000	QDEC	QDEC	Quadrature Decoder
19	0x40013000	LPCOMP	LPCOMP	Low power comparator
20				
...				
29				
30	0x4001E000	NVMC	NVMC	Non-volatile memory controller
31	0x4001F000	PPI	PPI	Programmable Peripheral Interconnect
NA	0x50000000	GPIO	P0	General purpose input and output
NA	0x10000000	FICR	FICR	Factory Information Configuration Registers
NA	0x10001000	UICR	UICR	User Information Configuration Registers

Table 3 Peripheral instantiation

5 Non-Volatile Memory Controller (NVMC)

The Non-volatile Memory Controller (NVMC) is used for writing and erasing Non-volatile Memory (NVM).

Before a write can be performed the NVM must be enabled for writing in CONFIG.WEN. Similarly, before an erase can be performed the NVM must be enabled for erasing in CONFIG.EEN. The user must make sure that writing and erasing is not enabled at the same time, failing to do so may result in unpredictable behavior.

5.1 Functional description

5.1.1 Writing to the NVM

When writing is enabled, the NVM is written by writing a word to a word aligned address in the CODE or UICR. The NVMC is only able to write bits in the NVM that are erased, that is, set to '1'.

The time it takes to write a word to the NVM is specified by t_{WRITE} in the product specification. The CPU is halted while the NVMC is writing to the NVM.

Only word aligned writes are allowed. Byte or half word aligned writes will result in a hard fault.

5.1.2 Writing to User Information Configuration Registers

UICR registers are written as ordinary non-volatile memory. After the UICR has been written, the new UICR configuration will only take effect after a reset.

5.1.3 Erasing User Information Configuration Registers

There are two registers that can be used for erasing the UICR, the ERASEALL and the ERASEUICR. When readback protection is configured, writing the ERASEUICR register only has an effect when the entire region 1 of code memory is erased (all '1's).

The time it takes to perform an ERASEUICR command is specified by $t_{\text{PAGEERASE}}$ in the product specification. The CPU is halted while the NVMC performs the erase operation.

5.1.4 Erase all

When erase is enabled, the whole CODE and UICR can be erased in one operation by using the ERASEALL register. ERASEALL will not erase the Factory Information Configuration Registers (FICR).

The time it takes to perform an ERASEALL operation is specified by t_{ERASEALL} in the product specification. The CPU is halted while the NVMC performs the erase operation.

5.1.5 Erasing a page in code region 1

When erase is enabled, the NVM can be erased page by page using the ERASEPAGE register or the ERASEPCR1 register. After erasing a NVM page all bits in the page are set to '1'. The time it takes to erase a page is specified by $t_{\text{PAGEERASE}}$ in the product specification. The CPU is halted while the NVMC performs the erase operation.

5.1.6 Erasing a page in code region 0

ERASEPCRO is used to erase a page in code region 0. The ERASEPCRO register can only be accessed from a program running in code region 0.

To enable non-volatile storage for program running in code region 0, it is possible for this program to erase and re-write any code page it designates for this purpose within code region 0. The ERASEPCRO can be used for this purpose. The ERASEPCRO register has a restriction on its use, enforced by the MPU, where only code running from code region 0 can write to it. It is possible for a program running from code region 0 to erase a page in code region 1 using ERASEPCR1.

The time it takes to erase a page is specified by $t_{PAGEERASE}$ in the product specification.

5.1.7 Availability of erase operations based on presence of pre-programmed factory code

To enable independent readback protection of code region 0 and code region 1, and to ensure that a developer cannot erase factory-programmed code from region 0, the ERASEALL and ERASEUICR registers are not always available. The following table shows when the registers can and cannot be used. When a register is disabled, attempting to write it will have no effect.

FICR.PPFC ¹	Available operations	Unavailable registers
0xFF (Pre-programmed code not present)	ERASEALL	ERASEUICR
0x00 (Pre-programmed code present)	ERASEUICR	ERASEALL

1. See *Chapter 6 "Factory Information Configuration Registers (FICR)"* on page 18 for details.

Table 4 Available erase operations dependent on presence of pre-programmed factory code

5.2 Registers

Register	Offset	Description
REGISTERS		
READY	0x400	Ready flag
CONFIG	0x504	Configuration register
ERASEPAGE	0x508	Register for erasing a page in code region 1
ERASEPCR1	0x508	Register for erasing a page in code region 1. Equivalent to ERASEPAGE.
ERASEPCRO	0x510	Register for erasing a page in code region 0
ERASEALL	0x50C	Register for erasing all non-volatile user memory
ERASEUICR	0x514	Register for erasing User Information Configuration Registers

Table 5 Register overview

5.2.1 READY

Bit number	31	30	29	28	27	26	25	24	23	22	21	20	19	18	17	16	15	14	13	12	11	10	9	8	7	6	5	4	3	2	1	0	
ID (Field ID)	-	-	-	-	-	-	-	-	-	-	-	-	-	-	-	-	-	-	-	-	-	-	-	-	-	-	-	-	-	-	-	-	A
Reset value	0	0	0	0	0	0	0	0	0	0	0	0	0	0	0	0	0	0	0	0	0	0	0	0	0	0	0	0	0	0	0	0	
ID	RW	Field	Value ID	Value	Description																												
A	R																																
			0		NVMC is busy (on-going write or erase operation).																												
			1		NVMC is ready.																												

5.2.2 CONFIG

Bit number	31	30	29	28	27	26	25	24	23	22	21	20	19	18	17	16	15	14	13	12	11	10	9	8	7	6	5	4	3	2	1	0	
ID (Field ID)	-	-	-	-	-	-	-	-	-	-	-	-	-	-	-	-	-	-	-	-	-	-	-	-	-	-	-	-	-	-	-	A	A
Reset value	0	0	0	0	0	0	0	0	0	0	0	0	0	0	0	0	0	0	0	0	0	0	0	0	0	0	0	0	0	0	0	0	
ID	RW	Field	Value ID	Value	Description																												
A	RW	WEN			Program memory access mode. It is strongly recommended to only activate erase and write modes when they are actively used.																												
			REN	0	Read only access.																												
			WEN	1	Write Enabled.																												
			EEN	2	Erase enabled.																												

5.2.3 ERASEALL

Bit number	31	30	29	28	27	26	25	24	23	22	21	20	19	18	17	16	15	14	13	12	11	10	9	8	7	6	5	4	3	2	1	0	
ID (Field ID)	-	-	-	-	-	-	-	-	-	-	-	-	-	-	-	-	-	-	-	-	-	-	-	-	-	-	-	-	-	-	-	-	A
Reset value	0	0	0	0	0	0	0	0	0	0	0	0	0	0	0	0	0	0	0	0	0	0	0	0	0	0	0	0	0	0	0	0	
ID	RW	Field	Value ID	Value	Description																												
A	RW				Erase all non-volatile memory including UICR registers. Code erase has to be enabled by CONFIG.EEN before the non-volatile memory can be erased. Note: FICR is not erased.																												
			0		No operation.																												
			1		Start chip erase.																												

5.2.4 ERASEUICR

Bit number	31	30	29	28	27	26	25	24	23	22	21	20	19	18	17	16	15	14	13	12	11	10	9	8	7	6	5	4	3	2	1	0	
ID (Field ID)	-	-	-	-	-	-	-	-	-	-	-	-	-	-	-	-	-	-	-	-	-	-	-	-	-	-	-	-	-	-	-	-	A
Reset value	0	0	0	0	0	0	0	0	0	0	0	0	0	0	0	0	0	0	0	0	0	0	0	0	0	0	0	0	0	0	0	0	
ID	RW	Field	Value ID	Value	Description																												
A	RW				Register starting erase of all User Information Configuration Registers. Note that code erase has to be enabled by CONFIG.EEN before the UICR can be erased.																												
			0		No operation.																												
			1		Start erase of UICR.																												

5.2.5 ERASEPAGE/ERASEPCR1

Bit number	31	30	29	28	27	26	25	24	23	22	21	20	19	18	17	16	15	14	13	12	11	10	9	8	7	6	5	4	3	2	1	0
ID (Field ID)	A	A	A	A	A	A	A	A	A	A	A	A	A	A	A	A	A	A	A	A	A	A	A	A	A	A	A	A	A	A	A	A
Reset value	0	0	0	0	0	0	0	0	0	0	0	0	0	0	0	0	0	0	0	0	0	0	0	0	0	0	0	0	0	0	0	
ID	RW	Field	Value ID	Value	Description																											
A	RW				<p>Register for starting erase of a page in code region 1. The value is the address of the page to be erased (addresses of first word in page). Note that code erase must be enabled by CONFIG.EEN before any pages in code region 1 can be erased.</p> <p>See product specification for information about the total code size of the device you are using. Attempts to erase pages that are outside the code area may result in undesirable behavior, for example, the wrong page may be erased.</p>																											

5.2.6 ERASEPCR0

Bit number	31	30	29	28	27	26	25	24	23	22	21	20	19	18	17	16	15	14	13	12	11	10	9	8	7	6	5	4	3	2	1	0
ID (Field ID)	A	A	A	A	A	A	A	A	A	A	A	A	A	A	A	A	A	A	A	A	A	A	A	A	A	A	A	A	A	A	A	
Reset value	0	0	0	0	0	0	0	0	0	0	0	0	0	0	0	0	0	0	0	0	0	0	0	0	0	0	0	0	0	0	0	
ID	RW	Field	Value ID	Value	Description																											
A	RW				<p>Register for starting erase of a page in code region 0. The value is the address of the page to be erased (addresses of first word in page). Only page addresses in code region 0 are allowed. This register can only be accessed from a program running in code memory region 0. A hard fault will be generated if the register is attempted accessed from a program in RAM or code memory region 1.</p> <p>Writing to ERASEPCR0 from the Serial Wire Debug (SWD) will have no effect. CONFIG.EEN has to be set to enable erase.</p> <p>See product specification for information about the total code size of the device you are using. Attempts to erase pages that are outside the code area may result in undesirable behavior, for example, the wrong page may be erased.</p>																											

6 Factory Information Configuration Registers (FICR)

6.1 Functional description

Factory Information Configuration Registers are pre-programmed in factory and cannot be erased by the user. These registers contain chip specific information and configuration.

6.1.1 Override parameters

Factory Information Configuration Registers contain override parameters set during device calibration in production, which need to replace default settings in the RADIO. Override parameters and the RADIO mode they are used for varies between nRF51 devices. Read the OVERRIDDEN register to determine if the FICR contains override parameters for the radio mode you are going to use. If the FICR contains override parameters, they must be copied to the radio OVERRIDE registers before enabling the radio in that mode.

6.2 Registers

Register	Offset	Description
CODEPAGESIZE	0x010	Code memory page size
CODESIZE	0x014	Code memory size
CLENR0	0x028	Length of code region 0 in bytes
PPFC	0x02C	Pre-programmed factory code present
NUMRAMBLOCK	0x034	Number of individually controllable RAM blocks
SIZERAMBLOCK[0]	0x038	Size of RAM block 0 in bytes
SIZERAMBLOCK[1]	0x03C	Size of RAM block 1 in bytes
SIZERAMBLOCK[2]	0x040	Size of RAM block 2 in bytes
SIZERAMBLOCK[3]	0x044	Size of RAM block 3 in bytes
CONFIGID	0x05C	Configuration identifier
DEVICEID[0]	0x060	Device identifier, bit 31-0
DEVICEID[1]	0x064	Device identifier, bit 63-32
ER[0]	0x080	Encryption root, bit 31-0
ER[1]	0x084	Encryption root, bit 63-32
ER[2]	0x088	Encryption root, bit 95-64
ER[3]	0x08C	Encryption root, bit 127-96
IR[0]	0x090	Identity root, bit 31-0
IR[1]	0x094	Identity root, bit 63-32
IR[2]	0x098	Identity root, bit 95-64
IR[3]	0x09c	Identity root, bit 127-96
DEVICEADDRTYPE	0x0A0	Device address type
DEVICEADDR[0]	0x0A4	Device address, bit 31-0
DEVICEADDR[1]	0x0A8	Device address, bit 47-32
OVERRIDDEN	0x0AC	Override enable
NRF_1MBIT[0]	0x0B0	RADIO.OVERRIDE[0] values for NRF_1MBIT mode
NRF_1MBIT[1]	0x0B4	RADIO.OVERRIDE[1] values for NRF_1MBIT mode
NRF_1MBIT[2]	0x0B8	RADIO.OVERRIDE[2] values for NRF_1MBIT mode
NRF_1MBIT[3]	0x0BC	RADIO.OVERRIDE[3] values for NRF_1MBIT mode
NRF_1MBIT[4]	0x0C0	RADIO.OVERRIDE[4] values for NRF_1MBIT mode
BLE_1MBIT[0]	0x0EC	RADIO.OVERRIDE[0] values for BLE_1MBIT mode
BLE_1MBIT[1]	0x0F0	RADIO.OVERRIDE[1] values for BLE_1MBIT mode
BLE_1MBIT[2]	0x0F4	RADIO.OVERRIDE[2] values for BLE_1MBIT mode
BLE_1MBIT[3]	0x0F8	RADIO.OVERRIDE[3] values for BLE_1MBIT mode
BLE_1MBIT[4]	0x0FC	RADIO.OVERRIDE[4] values for BLE_1MBIT mode

Table 6 Register overview

6.2.1 CODEPAGESIZE

Bit number	31	30	29	28	27	26	25	24	23	22	21	20	19	18	17	16	15	14	13	12	11	10	9	8	7	6	5	4	3	2	1	0
ID (Field ID)	A	A	A	A	A	A	A	A	A	A	A	A	A	A	A	A	A	A	A	A	A	A	A	A	A	A	A	A	A	A	A	A
Value after erase	1	1	1	1	1	1	1	1	1	1	1	1	1	1	1	1	1	1	1	1	1	1	1	1	1	1	1	1	1	1	1	
ID	RW	Field	Value ID	Value	Description																											
A	R				Code memory page size in bytes																											

6.2.2 CODESIZE

Bit number	31	30	29	28	27	26	25	24	23	22	21	20	19	18	17	16	15	14	13	12	11	10	9	8	7	6	5	4	3	2	1	0
ID (Field ID)	A	A	A	A	A	A	A	A	A	A	A	A	A	A	A	A	A	A	A	A	A	A	A	A	A	A	A	A	A	A	A	
Value after erase	1	1	1	1	1	1	1	1	1	1	1	1	1	1	1	1	1	1	1	1	1	1	1	1	1	1	1	1	1	1	1	
ID	RW	Field	Value ID	Value	Description																											
A	R				Code memory size in number of pages. Total code space is: CODEPAGESIZE*CODESIZE																											

6.2.3 CLENR0

Bit number	31	30	29	28	27	26	25	24	23	22	21	20	19	18	17	16	15	14	13	12	11	10	9	8	7	6	5	4	3	2	1	0
ID (Field ID)	A	A	A	A	A	A	A	A	A	A	A	A	A	A	A	A	A	A	A	A	A	A	A	A	A	A	A	A	A	A	A	
Value after erase	1	1	1	1	1	1	1	1	1	1	1	1	1	1	1	1	1	1	1	1	1	1	1	1	1	1	1	1	1	1	1	
ID	RW	Field	Value ID	Value	Description																											
A	R			[0..N]	Length of code region 0 in bytes. The value must be multiple of "code page size" bytes (FICR.CODEPAGESIZE). This register is only used when pre-programmed factory code is present on the chip, see PPFC. N (max value) is (FICR.CODEPAGESIZE* FICR.CODESIZE-1, but not larger than 255. This register can only be written if content is 0xFFFFFFFF.																											
				0xFFFFFFFF	Value if there is no pre-programmed code in the chip. Interpreted as 0.																											

6.2.4 PPFC

Bit number	31	30	29	28	27	26	25	24	23	22	21	20	19	18	17	16	15	14	13	12	11	10	9	8	7	6	5	4	3	2	1	0
ID (Field ID)	-	-	-	-	-	-	-	-	-	-	-	-	-	-	-	-	-	-	-	-	-	-	-	-	-	-	-	-	-	-	-	
Value after erase	1	1	1	1	1	1	1	1	1	1	1	1	1	1	1	1	1	1	1	1	1	1	1	1	1	1	1	1	1	1	1	
ID	RW	Field	Value ID	Value	Description																											
A	R	ADDR			Pre-programmed factory code present.																											
				0x00	Present																											
				0xFF	Not present																											

6.2.5 NUMRAMBLOCK

Bit number	31	30	29	28	27	26	25	24	23	22	21	20	19	18	17	16	15	14	13	12	11	10	9	8	7	6	5	4	3	2	1	0	
ID (Field ID)	A	A	A	A	A	A	A	A	A	A	A	A	A	A	A	A	A	A	A	A	A	A	A	A	A	A	A	A	A	A	A	A	A
Value after erase	1	1	1	1	1	1	1	1	1	1	1	1	1	1	1	1	1	1	1	1	1	1	1	1	1	1	1	1	1	1	1	1	
ID	RW	Field	Value ID	Value	Description																												
A	R				Number of individually controllable RAM blocks.																												

6.2.6 SIZERAMBLOCK[n] (n=0..3)

Bit number	31	30	29	28	27	26	25	24	23	22	21	20	19	18	17	16	15	14	13	12	11	10	9	8	7	6	5	4	3	2	1	0
ID (Field ID)	A	A	A	A	A	A	A	A	A	A	A	A	A	A	A	A	A	A	A	A	A	A	A	A	A	A	A	A	A	A	A	A
Value after erase	1	1	1	1	1	1	1	1	1	1	1	1	1	1	1	1	1	1	1	1	1	1	1	1	1	1	1	1	1	1	1	1
ID	RW	Field	Value ID	Value	Description																											
A	R				Size of RAM block n in bytes.																											

6.2.7 CONFIGID

Bit number	31	30	29	28	27	26	25	24	23	22	21	20	19	18	17	16	15	14	13	12	11	10	9	8	7	6	5	4	3	2	1	0
ID (Field ID)	B	B	B	B	B	B	B	B	B	B	B	B	B	B	B	B	A	A	A	A	A	A	A	A	A	A	A	A	A	A	A	A
Value after erase	1	1	1	1	1	1	1	1	1	1	1	1	1	1	1	1	1	1	1	1	1	1	1	1	1	1	1	1	1	1	1	1
ID	RW	Field	Value ID	Value	Description																											
A	R	HWID			Identification number for the HW.																											
B	R	FWID			Identification number for the firmware that is pre-loaded into the chip.																											

6.2.8 DEVICEID[0]

Bit number	31	30	29	28	27	26	25	24	23	22	21	20	19	18	17	16	15	14	13	12	11	10	9	8	7	6	5	4	3	2	1	0
ID (Field ID)	A	A	A	A	A	A	A	A	A	A	A	A	A	A	A	A	A	A	A	A	A	A	A	A	A	A	A	A	A	A	A	A
Value after erase	1	1	1	1	1	1	1	1	1	1	1	1	1	1	1	1	1	1	1	1	1	1	1	1	1	1	1	1	1	1	1	1
ID	RW	Field	Value ID	Value	Description																											
A	R				Device ID, bit 31-0, unique ID for each unit.																											

6.2.9 DEVICEID[1]

Bit number	31	30	29	28	27	26	25	24	23	22	21	20	19	18	17	16	15	14	13	12	11	10	9	8	7	6	5	4	3	2	1	0
ID (Field ID)	A	A	A	A	A	A	A	A	A	A	A	A	A	A	A	A	A	A	A	A	A	A	A	A	A	A	A	A	A	A	A	A
Value after erase	1	1	1	1	1	1	1	1	1	1	1	1	1	1	1	1	1	1	1	1	1	1	1	1	1	1	1	1	1	1	1	1
ID	RW	Field	Value ID	Value	Description																											
A	R				Device ID, bit 63-32, unique ID for each unit.																											

6.2.10 ER[n] (n=0..3)

Bit number	31	30	29	28	27	26	25	24	23	22	21	20	19	18	17	16	15	14	13	12	11	10	9	8	7	6	5	4	3	2	1	0
ID (Field ID)	A	A	A	A	A	A	A	A	A	A	A	A	A	A	A	A	A	A	A	A	A	A	A	A	A	A	A	A	A	A	A	A
Value after erase	1	1	1	1	1	1	1	1	1	1	1	1	1	1	1	1	1	1	1	1	1	1	1	1	1	1	1	1	1	1	1	
ID	RW	Field	Value ID	Value	Description																											
A	R				Encryption root, word n.																											

6.2.11 IR[n] (n=0..3)

Bit number	31	30	29	28	27	26	25	24	23	22	21	20	19	18	17	16	15	14	13	12	11	10	9	8	7	6	5	4	3	2	1	0
ID (Field ID)	A	A	A	A	A	A	A	A	A	A	A	A	A	A	A	A	A	A	A	A	A	A	A	A	A	A	A	A	A	A	A	
Value after erase	1	1	1	1	1	1	1	1	1	1	1	1	1	1	1	1	1	1	1	1	1	1	1	1	1	1	1	1	1	1	1	
ID	RW	Field	Value ID	Value	Description																											
A	R				Identity root, word n.																											

6.2.12 DEVICEADDRTYPE

Bit number	31	30	29	28	27	26	25	24	23	22	21	20	19	18	17	16	15	14	13	12	11	10	9	8	7	6	5	4	3	2	1	0
ID (Field ID)	-	-	-	-	-	-	-	-	-	-	-	-	-	-	-	-	-	-	-	-	-	-	-	-	-	-	-	-	-	-	-	A
Value after erase	1	1	1	1	1	1	1	1	1	1	1	1	1	1	1	1	1	1	1	1	1	1	1	1	1	1	1	1	1	1	1	
ID	RW	Field	Value ID	Value	Description																											
A	R		PUBLIC	0	Device address type Public address																											
			RANDOM	1	Random address																											

6.2.13 DEVICEADDR[0]

Bit number	31	30	29	28	27	26	25	24	23	22	21	20	19	18	17	16	15	14	13	12	11	10	9	8	7	6	5	4	3	2	1	0
ID (Field ID)	A	A	A	A	A	A	A	A	A	A	A	A	A	A	A	A	A	A	A	A	A	A	A	A	A	A	A	A	A	A	A	
Value after erase	1	1	1	1	1	1	1	1	1	1	1	1	1	1	1	1	1	1	1	1	1	1	1	1	1	1	1	1	1	1	1	
ID	RW	Field	Value ID	Value	Description																											
A	R	ADDR			Device address bit 31-0.																											

6.2.14 DEVICEADDR[1]

Bit number	31	30	29	28	27	26	25	24	23	22	21	20	19	18	17	16	15	14	13	12	11	10	9	8	7	6	5	4	3	2	1	0	
ID (Field ID)	-	-	-	-	-	-	-	-	-	-	-	-	-	-	-	-	-	-	-	-	-	-	-	-	-	-	-	-	-	-	-	-	A
Value after erase	1	1	1	1	1	1	1	1	1	1	1	1	1	1	1	1	1	1	1	1	1	1	1	1	1	1	1	1	1	1	1	1	
ID	RW	Field	Value ID	Value	Description																												
A	R	ADDR			Device address bit 47-32.																												

6.2.15 OVERRIDDEN

Bit number	31	30	29	28	27	26	25	24	23	22	21	20	19	18	17	16	15	14	13	12	11	10	9	8	7	6	5	4	3	2	1	0			
ID (Field ID)	-	-	-	-	-	-	-	-	-	-	-	-	-	-	-	-	-	-	-	-	-	-	-	-	-	-	-	-	-	-	-	D	-	-	A
Value after erase	-	-	-	-	-	-	-	-	-	-	-	-	-	-	-	-	-	-	-	-	-	-	-	-	-	-	-	-	-	-	-	-	-	-	
ID	RW	Field	Value ID	Value	Description																														
A	R	NRF_1MBIT	0	0	Override default values for NRF_1MBIT mode.																														
			1	1	Use default values for NRF_1MBIT mode.																														
D	R	BLE_1MBIT	0	0	Override default values for BLE_1MBIT mode.																														
			1	1	No override values for BLE_1MBIT mode available in FICR.																														

6.2.16 NRF_1MBIT[n] (n=0..4)

Bit number	31	30	29	28	27	26	25	24	23	22	21	20	19	18	17	16	15	14	13	12	11	10	9	8	7	6	5	4	3	2	1	0
ID (Field ID)	A	A	A	A	A	A	A	A	A	A	A	A	A	A	A	A	A	A	A	A	A	A	A	A	A	A	A	A	A	A	A	A
Value after erase	-	-	-	-	-	-	-	-	-	-	-	-	-	-	-	-	-	-	-	-	-	-	-	-	-	-	-	-	-	-	-	-
ID	RW	Field	Value ID	Value	Description																											
A	R				Override values for NRF_1MBIT mode.																											

6.2.17 BLE_1MBIT[n] (n=0..4)

Bit number	31	30	29	28	27	26	25	24	23	22	21	20	19	18	17	16	15	14	13	12	11	10	9	8	7	6	5	4	3	2	1	0
ID (Field ID)	A	A	A	A	A	A	A	A	A	A	A	A	A	A	A	A	A	A	A	A	A	A	A	A	A	A	A	A	A	A	A	A
Value after erase	-	-	-	-	-	-	-	-	-	-	-	-	-	-	-	-	-	-	-	-	-	-	-	-	-	-	-	-	-	-	-	-
ID	RW	Field	Value ID	Value	Description																											
A	R				Override values for BLE_1MBIT mode.																											

7 User Information Configuration Registers (UICR)

7.1 Functional description

The User Information Configuration Registers (UICRs) are NVM registers for configuring user specific settings including code readback protection of the whole code area, or a part of the code area.

The code area can be divided into two regions, code region 0 (CR0) and code region 1 (CR1). Code region 0 starts at address 0x00000000 and stretches into the code area as specified in the CLENR0 register. The area above CLENR0 will then be defined as code region 1. If CLENR0 is not configured, that is, has the value 0xFFFFFFFF, the whole code area will be defined as code region 1 (CR1).

Code running from code region 1 will not be able to write to code region 0. Additionally, the content of code region 0 cannot be read from code running in code region 1 or through the SWD interface if code region 0 is readback protected, see [Section 7.2.2 “RBPCONF”](#) on page 25.

The main readback protection mechanism that will protect the whole code, that is, both code region 0 and code region 1, is also configured through the UICR, see [Section 7.2.2 “RBPCONF”](#) on page 25.

The PAGEERASE command in NVMC will only work for code region 1. See [Chapter 5 “Non-Volatile Memory Controller \(NVMC\)”](#) on page 14 for more information on how to erase and program the code area and the UICR.

7.2 Registers

Register	Offset	Description
REGISTERS		
CLENR0	0x000	Length of code region 0.
RBPCONF	0x004	Read back protection configuration.
XTALFREQ	0x008	Reset value for XTALFREQ in clock, see Chapter 12 “Clock management (CLOCK)” on page 53.
FWID	0x010 0x014 - 0x02C 0x030 - 0x07C 0x080 - 0x0FC	Firmware ID. Reserved. Reserved. Reserved for customer.

Table 7 Register overview

7.2.1 CLENR0

Bit number	31	30	29	28	27	26	25	24	23	22	21	20	19	18	17	16	15	14	13	12	11	10	9	8	7	6	5	4	3	2	1	0
ID (Field ID)	A	A	A	A	A	A	A	A	A	A	A	A	A	A	A	A	A	A	A	A	A	A	A	A	A	A	A	A	A	A	A	
Value after erase	1	1	1	1	1	1	1	1	1	1	1	1	1	1	1	1	1	1	1	1	1	1	1	1	1	1	1	1	1	1	1	
ID	RW	Field	Value ID	Value	Description																											
A	RW			[0..N]	Length of code region 0 in bytes. The value must be a multiple of “code page size” bytes (FICR.CODEPAGESIZE). N (max value) is (FICR.CODEPAGESIZE* FICR.CODESIZE-1), but not larger than 255. This register can only be written if content is 0xFFFFFFFF. This register is only used when pre-programmed factory code is not present on the chip, see PPFC in FICR.																											

Bit number	31	30	29	28	27	26	25	24	23	22	21	20	19	18	17	16	15	14	13	12	11	10	9	8	7	6	5	4	3	2	1	0	
ID (Field ID)	A	A	A	A	A	A	A	A	A	A	A	A	A	A	A	A	A	A	A	A	A	A	A	A	A	A	A	A	A	A	A	A	A
Value after erase	1	1	1	1	1	1	1	1	1	1	1	1	1	1	1	1	1	1	1	1	1	1	1	1	1	1	1	1	1	1	1	1	
ID	RW	Field	Value ID	Value	Description																												
				0xFFFFFFFF	Value after mass erase of flash. Interpreted as 0.																												

7.2.2 RBPCONF

Bit number	31	30	29	28	27	26	25	24	23	22	21	20	19	18	17	16	15	14	13	12	11	10	9	8	7	6	5	4	3	2	1	0	
ID (Field ID)	-	-	-	-	-	-	-	-	-	-	-	-	-	-	-	-	-	B	B	B	B	B	B	B	B	A	A	A	A	A	A	A	A
Value after erase	1	1	1	1	1	1	1	1	1	1	1	1	1	1	1	1	1	1	1	1	1	1	1	1	1	1	1	1	1	1	1	1	
ID	RW	Field	Value ID	Value	Description																												
A	RW	PRO		0xFF 0x00	Readback protect code region 0. Will be ignored if preprogrammed factory code is present on the chip. Disabled Enabled																												
B	RW	PALL		0xFF 0x00	Readback protect all code in device. Disabled Enabled																												

7.2.3 XTALFREQ

Bit number	31	30	29	28	27	26	25	24	23	22	21	20	19	18	17	16	15	14	13	12	11	10	9	8	7	6	5	4	3	2	1	0	
ID (Field ID)	-	-	-	-	-	-	-	-	-	-	-	-	-	-	-	-	-	-	-	-	-	-	-	-	-	-	-	-	-	-	-	-	A
Value after erase	1	1	1	1	1	1	1	1	1	1	1	1	1	1	1	1	1	1	1	1	1	1	1	1	1	1	1	1	1	1	1	1	
ID	RW	Field	Value ID	Value	Description																												
A	R			0xFF 0x00	Reset value for XTALFREQ in CLOCK, see <i>Chapter 12 "Clock management (CLOCK)"</i> on page 53. 16 MHz crystal is used. 32 MHz crystal is used.																												

7.2.4 FWID

Bit number	31	30	29	28	27	26	25	24	23	22	21	20	19	18	17	16	15	14	13	12	11	10	9	8	7	6	5	4	3	2	1	0		
ID (Field ID)	-	-	-	-	-	-	-	-	-	-	-	-	-	-	-	-	-	-	-	-	-	-	-	-	-	-	-	-	-	-	-	-	-	A
Value after erase	1	1	1	1	1	1	1	1	1	1	1	1	1	1	1	1	1	1	1	1	1	1	1	1	1	1	1	1	1	1	1	1	1	
ID	RW	Field	Value ID	Value	Description																													
A	R				Identification number for the firmware loaded into the chip. This ID is used when the CONFIG.FWID in the FICR is set to 0xFFFF																													

8 Memory Protection Unit (MPU)

The Memory Protection Unit (MPU) can protect the entire memory against readback and also protect parts of the memory area from accidental access by the CPU.

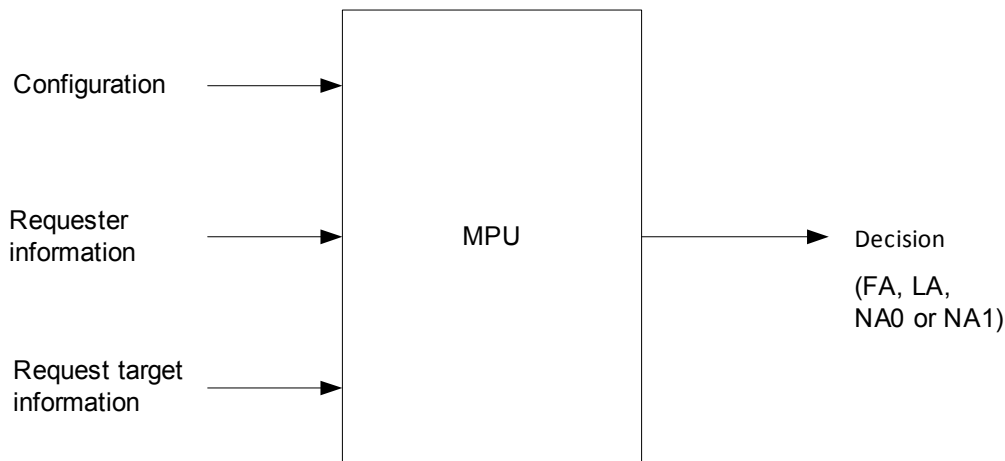


Figure 3 MPU block diagram

8.1 Functional description

Protect all (PALL) is configured by writing '0' to UICR.RBPCONF.PALL. When enabled, the debugger (SWD) will no longer have access to code region 0 or code region 1, as well as no longer being able to access RAM or any peripherals except for the NVMC. The debugger will always have access to the NVMC peripheral independent of protection settings.

Code memory, RAM, and peripherals can be divided into two regions: region 0 and region 1. Code memory regions are configured in the CLENR0 register in the User Information Configuration Register (UICR), see the Memory isolation and run-time protection section in the **Appendix A: on page 186**. When memory protection is enabled, these regions will be used by the Memory Protection Unit to enforce runtime protection and readback protection of resources classified as region 0.

Independent of protection settings, code region R0 (CR0) will always have full access to the system. The NVMC.ERASEPCR0 register, which is used to erase contents from code region 0, can only be accessed from a program in code region 0.

Only the CPU can do fetches from code memory, and these will always be granted.

Except when generated by the SWD interface, accesses that are not granted by the MPU will result in a hard-fault.

Readback protection of code region 0 is enabled by writing '0' to UICR.RBPCONF.PR0. When enabled, only code running from code region 0 will be able to access the code in code region 0. Accesses generated by code running from code region 1 or from RAM, as well as accesses generated by the debugger (SWD), will not be granted when code region 0 is protected.

The main role for the two region memory protection system is to allow run time protection for SoftDevices installed running on the IC. Please refer to **Appendix A: on page 186** for a description of the nRF51 software architecture and use of the memory protection system with SoftDevices.

8.1.1 Inputs

The MPU has three classes of inputs. These are:

- Configuration
 - Readback protection configuration from UICR and FICR.
- Information about requester
 - Source of memory access request (SWD or CPU program).
 - If the request source is a CPU program; region from which the program is running (region 0 or region 1).
 - Type of access request (read or write).
- Target information
 - Memory category requested access to (code, RAM, or PER).
 - Memory region requested access to (region 0 or region 1).

8.1.2 Output

The MPU outputs the level of memory access that shall be given to a memory access request. The access levels the MPU can give are as follows:

- Full Access (FA)
 - Full read write access to the requested memory.
- Limited Access (LA)
 - Full read access
 - No write access. Write will generate hard fault exception.
- No Access 0 (NA0)
 - No read or write access
 - Read will return 0
 - Write will have no effect
- No Access 1 (NA1)
 - No read or write access
 - Read or write will generate hard fault exception

8.1.3 Output decision table

The output MPU access level based on the MPU inputs is given in the table below.

The given access level is dependent on settings in the Information Configuration Registers (ICRs). See the UICR and FICR chapters for more details.

Request source	UICR.RBPCONF.PALL (Readback protect entire code memory)	UICR.RBPCONF.PR0 or FICR.PPFC* (Readback protect code region 0)	Request target					
			Code R0	Code R1	RAM R0	RAM R1	PER R0	PER R1
SWD	0xFF	0xFF	FA	FA	FA	FA	FA	FA
	0xFF	0x00	NA0	FA	FA	FA	FA	FA
	0x00	X	NA0	NA0	NA0	NA0	NA0	NA0
Code R0	X	X	FA	FA	FA	FA	FA	FA
Code R1	X	0xFF	LA	FA	LA	FA	LA	FA
	X	0x00	NA1	FA	LA	FA	LA	FA
RAM R0 / R1	0xFF	0xFF	FA	FA	FA	FA	FA	FA
	0xFF	0x00	NA1	FA	FA	FA	FA	FA
	0x00	X	NA1	NA1	FA	FA	FA	FA

X: Don't care

LA: Limited Access

NA0: No Access 0

NA1: No Access 1

FA: Full Access

Table 8 MPU output decision table based on the MPU inputs and the ICR configuration

8.1.4 Exceptions from table

There are some exceptions from **Table 8**. These exceptions are:

- The NVMC.ERASEALL and NVMC.ERASEUICR registers have conditional write access depending on the readback protection settings in the Information Configuration registers. These exceptions are described in the NVMC chapter, see **Chapter 5 “Non-Volatile Memory Controller (NVMC)”** on page 14.
- The NVMC.ERASEPCR0 register can only be accessed from a program in code region 0.
- The UICR.CLENR0 and the FICR.CLENR0 registers can only be modified when the register value equals the default value (0xFF). This is to avoid that the memory region limits are modified to bypass readback protection.

8.1.5 NVM protection blocks

The protection mechanism for NVM can be used to prevent erroneous application code from erasing or writing to protected blocks. Non-volatile memory can be protected from erases/writes depending on settings in the PROTENSET registers. One bit in a PROTENSET register represents one protected block. There are two PROTENSET registers of 32 bits which means there are 64 protectable blocks in total. See the device specific product specifications for more information on how the NVM protection blocks are organized.

Note: If an erase or write to a protected block is detected, the CPU will hard fault. If an ERASEALL operation is attempted from the CPU while any block is protected it will be blocked and the CPU will hard fault.

On reset, all the protection bits are cleared. To ensure safe operation, the first task after reset must be to set the protection bits. The only way of clearing protection bits is by resetting the device from any reset source.

The protection mechanism is turned off when in debug mode (a debugger is connected) and the DISABLEINDEBUG register is set to disable.

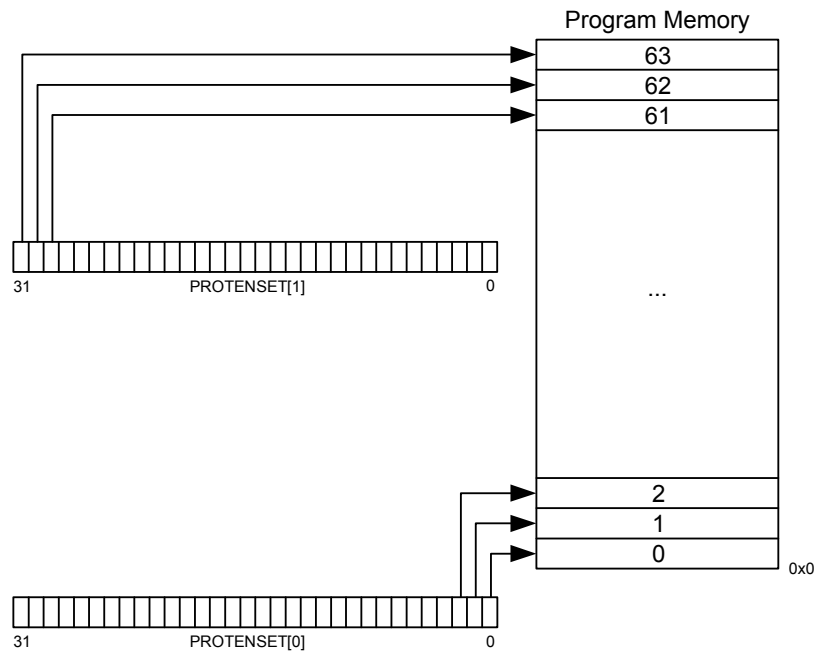


Figure 4 Protected regions of program memory

8.2 Registers

Register	Offset	Description
PERR0	0x528	Definition of peripherals in memory region 0.
RLENR0	0x52C	Length of RAM region 0.
PROTENSET0	0x600	Protection bit enable set register
PROTENSET1	0x604	Protection bit enable set register
DISABLEINDEBUG	0x608	Disable protection mechanism in debug mode

Table 9 Register overview

8.2.1 PERRO

Bit number	31	30	29	28	27	26	25	24	23	22	21	20	19	18	17	16	15	14	13	12	11	10	9	8	7	6	5	4	3	2	1	0			
ID (Field ID)	Z	Y	-	-	-	-	-	-	-	-	-	T	S	R	Q	P	O	N	M	L	K	J	I	H	G	-	E	D	C	B	A				
Reset value	0	0	0	0	0	0	0	0	0	0	0	0	0	0	0	0	0	0	0	0	0	0	0	0	0	0	0	0	0	0	0				
ID	RW	Field	Value ID	Value	Description																														
A	RW	POWER_CLOCK	REGION0	0	Classify POWER and CLOCK and all other peripherals with ID=0, as region 0 or region 1 peripheral. Region 0																														
			REGION1	1		Region 1																													
B	RW	RADIO	REGION0	0	Classify RADIO as region 0 or region 1 peripheral. Region 0																														
			REGION1	1		Region 1																													
C	RW	UART0	REGION0	0	Classify UART0 as region 0 or region 1 peripheral. Region 0																														
			REGION1	1		Region 1																													
D	RW	SPI0_TWI0	REGION0	0	Classify SPI0 and TWI0 as region 0 or region 1 peripheral. Region 0																														
			REGION1	1		Region 1																													
E	RW	SPI1_TWI1	REGION0	0	Classify SPI1, SPIS1, and TWI1 as region 0 or region 1 peripheral. Region 0																														
			REGION1	1		Region 1																													
G	RW	GPIOTE	REGION0	0	Classify GPIOTE as region 0 or region 1 peripheral. Region 0																														
			REGION1	1		Region 1																													
H	RW	ADC	REGION0	0	Classify ADC as region 0 or region 1 peripheral. Region 0																														
			REGION1	1		Region 1																													
I	RW	TIMER0	REGION0	0	Classify TIMER0 as region 0 or region 1 peripheral. Region 0																														
			REGION1	1		Region 1																													
J	RW	TIMER1	REGION0	0	Classify TIMER1 as region 0 or region 1 peripheral. Region 0																														
			REGION1	1		Region 1																													
K	RW	TIMER2	REGION0	0	Classify TIMER2 as region 0 or region 1 peripheral. Region 0																														
			REGION1	1		Region 1																													
L	RW	RTC0	REGION0	0	Classify RTC0 as region 0 or region 1 peripheral. Region 0																														
			REGION1	1		Region 1																													
M	RW	TEMP	REGION0	0	Classify TEMP as region 0 or region 1 peripheral. Region 0																														
			REGION1	1		Region 1																													
N	RW	RNG	REGION0	0	Classify RNG as region 0 or region 1 peripheral. Region 0																														
			REGION1	1		Region 1																													
O	RW	ECB	REGION0	0	Classify ECB as region 0 or region 1 peripheral. Region 0																														
			REGION1	1		Region 1																													
P	RW	CCM_AAR	REGION0	0	Classify CCM and AAR as region 0 or region 1 peripheral. Region 0																														
			REGION1	1		Region 1																													
Q	RW	WDT	REGION0	0	Classify WDT as region 0 or region 1 peripheral. Region 0																														
			REGION1	1		Region 1																													

Bit number	31	30	29	28	27	26	25	24	23	22	21	20	19	18	17	16	15	14	13	12	11	10	9	8	7	6	5	4	3	2	1	0
ID (Field ID)	Z	Y	-	-	-	-	-	-	-	-	-	T	S	R	Q	P	O	N	M	L	K	J	I	H	G	-	E	D	C	B	A	
Reset value	0	0	0	0	0	0	0	0	0	0	0	0	0	0	0	0	0	0	0	0	0	0	0	0	0	0	0	0	0	0	0	
ID	RW	Field	Value ID	Value	Description																											
R	RW	RTC1	REGION0	0	Classify RTC1 as region 0 or region 1 peripheral.																											
			REGION1	1																												
S	RW	QDEC	REGION0	0	Classify QDEC as region 0 or region 1 peripheral.																											
			REGION1	1																												
T	RW	COMP_LPCOMP	REGION0	0	Classify COMP_LPCOMP as region 0 or region 1 peripheral.																											
			REGION1	1																												
Y	RW	NVMC	REGION0	0	Classify NVMC as region 0 or region 1 peripheral.																											
			REGION1	1																												
Z	RW	PPI	REGION0	0	Classify PPI as region 0 or region 1 peripheral.																											
			REGION1	1																												

8.2.2 RLENR0

Bit number	31	30	29	28	27	26	25	24	23	22	21	20	19	18	17	16	15	14	13	12	11	10	9	8	7	6	5	4	3	2	1	0
ID (Field ID)	A	A	A	A	A	A	A	A	A	A	A	A	A	A	A	A	A	A	A	A	A	A	A	A	A	A	A	A	A	A	A	
Reset value	0	0	0	0	0	0	0	0	0	0	0	0	0	0	0	0	0	0	0	0	0	0	0	0	0	0	0	0	0	0	0	
ID	RW	Field	Value ID	Value	Description																											
A	RW				This register specifies the size of RAM region 0. Given a base address for the RAM called RAMBA, RAM addresses < RAMBA + RLENR0 are classified as region 0 RAM and RAM addresses >= RAMBA + RLENR0 are classified as region 1 RAM. The address (RAMBA + RLENR0) has to be word-aligned. RAMBA and the total available RAM is defined in the product specification of the chip you are using.																											

8.2.3 PROTENSETO

Bit number	31	30	29	28	27	26	25	24	23	22	21	20	19	18	17	16	15	14	13	12	11	10	9	8	7	6	5	4	3	2	1	0
ID (Field ID)	FF	EE	DD	CC	BB	AA	Z	Y	X	W	V	U	T	S	R	Q	P	O	N	M	L	K	J	I	H	G	F	E	D	C	B	A
Reset value	0	0	0	0	0	0	0	0	0	0	0	0	0	0	0	0	0	0	0	0	0	0	0	0	0	0	0	0	0	0	0	0
ID	RW	Field	Value ID	Value	Description																											
A		PROTREG0			Protection enable bit for block 0.																											
	W		ENABLE	1	Enables protection of block 0.																											
	R			PROTEN.0	Readback value of protection bit 0.																											
B		PROTREG1			Protection enable bit for block 1.																											
	W		ENABLE	1	Enables protection of block 1.																											
	R			PROTEN.1	Readback value of protection bit 1.																											
..																																
..																																
FF		PROTREG31			Protection enable bit for block 31.																											
	W		ENABLE	1	Enables protection of block 31.																											
	R			PROTEN.31	Readback value of protection bit 31.																											

8.2.4 PROTENSET1

Bit number	31	30	29	28	27	26	25	24	23	22	21	20	19	18	17	16	15	14	13	12	11	10	9	8	7	6	5	4	3	2	1	0																										
ID (Field ID)	FF EE DD CC BB AA Z Y X W V U T S R Q P O N M L K J I H G F E D C B A																																																									
Reset value	0 0																																																									
ID	RW	Field	Value ID	Value	Description																																																					
A		PROTREG32			Protection enable bit for block 32.																																																					
	W		ENABLE	1	Enables protection of block 32.																																																					
	R			PROTEN.32	Readback value of protection bit 32.																																																					
B		PROTREG33			Protection enable bit for block 33.																																																					
	W		ENABLE	1	Enables protection of block 33.																																																					
	R			PROTEN.33	Readback value of protection bit 33.																																																					
..																																																										
..																																																										
FF		PROTREG63			Protection enable bit for block 63.																																																					
	W		ENABLE	1	Enables protection of block 63.																																																					
	R			PROTEN.63	Readback value of protection bit 63.																																																					

8.2.5 DISABLEINDEBUG

Bit number	31	30	29	28	27	26	25	24	23	22	21	20	19	18	17	16	15	14	13	12	11	10	9	8	7	6	5	4	3	2	1	0
ID (Field ID)	-																															A
Reset value	0																															1
ID	RW	Field	Value ID	Value	Description																											
A	RW	DISABLEINDEBUG			Disable the protection mechanism for NVM blocks while in debug mode. This register will only disable the protection mechanism if the device is in debug mode.																											
			DISABLE	1	Disable in debug.																											
			ENABLE	0	Enable in debug.																											

9 Peripheral interface

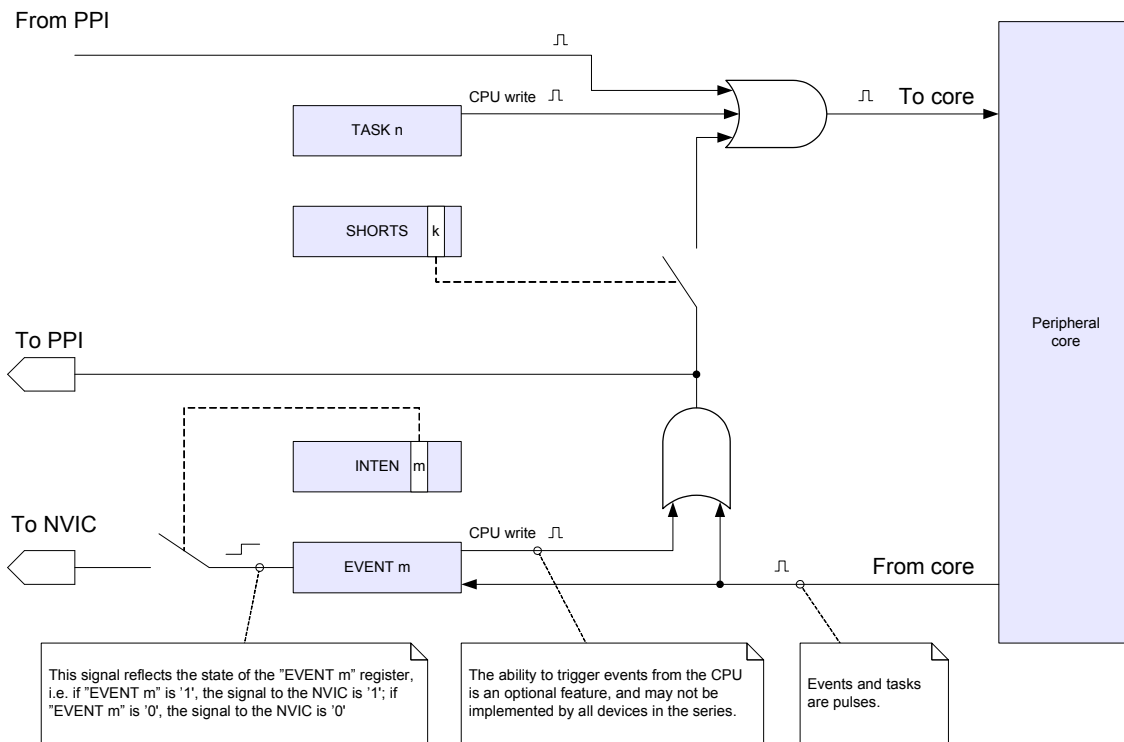


Figure 5 Tasks, events, shortcuts, and interrupts

9.1 Functional description

All peripherals on nRF51 series devices can be accessed through the standard ARM® Cortex Advanced Peripheral Bus (APB) and AMBA High-performance Bus (AHB) registers as well as through task, event, and interrupt registers.

9.1.1 Peripheral ID

For peripherals on the APB bus there is a direct relationship between its ID and its base address.

Every peripheral is assigned a fixed block of 0x1000 bytes, that is, a total of 1024 registers of 4 bytes on the APB bus. The peripheral with base address 0x40000000 is therefore assigned ID=0, and a peripheral with the base address 0x40001000 is assigned ID=1. The peripheral with the base address 0x4001F000 is assigned ID=31.

Peripherals may share the same ID, which may impose one or more of the following limitations:

- Peripherals do not share any registers or common resources, but the total number of registers available for each peripheral is reduced compared to a peripheral that has a dedicated ID.
- Peripherals share some registers or other common resources.
- Only one of the peripherals can be used at a time.
- Both peripherals are optional in the series, and only one of them is instantiated in any given chip.

9.1.2 Bit set and clear

Registers with multiple single-bit bit-fields may implement the “set and clear” pattern. This pattern enables firmware to set and clear individual bits in a register without having to perform a read-modify-write operation on the main register. This pattern is implemented using three consecutive addresses in the register map where the main register is followed by a dedicated SET and CLR register in that order. The SET register is used to set individual bits in the main register while the CLR register is used to clear individual bits in the main register. Writing a ‘1’ to a bit in the SET or CLR register will set or clear the same bit in the main register respectively. Reading the SET or CLR registers returns the value of the main register.

9.1.3 Tasks

Tasks are used to trigger actions in a peripheral, for example, to start a particular behavior. A peripheral can implement multiple tasks with each task having a separate register in that peripheral’s task register group.

A task is triggered when firmware writes a ‘1’ to the task register or when the peripheral itself, or another peripheral, toggles the corresponding task signal, see *Figure 5* on page 34. All tasks follow the register layout in *Table 10* on page 37.

9.1.4 Events

Events are used to notify peripherals and the CPU about events that have happened, for example, a state change in a peripheral. A peripheral may generate multiple events with each event having a separate register in that peripheral’s event register group.

An event is generated when the peripheral itself toggles the corresponding event signal, whereupon the event register is updated to reflect that the event has been generated, see *Figure 5* on page 34. An event register is only cleared when firmware writes a ‘0’ to it.

Events can be generated by the peripheral even when the event register is set to ‘1’. All events follow the register layout described in *Table 10* on page 37.

9.1.5 Shortcuts

A shortcut is a direct connection between an event and a task within the same peripheral. If a shortcut is enabled, its associated task is automatically triggered when its associated event is generated.

Using a shortcut is the equivalent to making the same connection outside the peripheral and through the PPI. However, the propagation delay through the shortcut is usually shorter than the propagation delay through the PPI.

Shortcuts are predefined, which means their connections cannot be configured by firmware. Each shortcut can be individually enabled or disabled through the shortcut register, one bit per shortcut, giving a

maximum of 32 shortcuts for each peripheral. All shortcut registers follow the register layout described in **Table 10** on page 37, (SHORTS).

9.1.6 Interrupts

An interrupt is an exception that is generated by an event and can interrupt the program flow of the CPU. All peripherals on the APB bus support interrupts. A peripheral only occupies one interrupt, and the interrupt number follows the peripheral ID, for example, the peripheral with ID=4 is connected to interrupt number 4 in the Nested Vector Interrupt Controller (NVIC).

Using the INTEN register, you can configure every event in a peripheral to generate that peripheral's interrupt. You can enable multiple events to generate interrupts simultaneously. To resolve the correct interrupt's source, firmware can query the event registers found in the event group in the peripherals register map.

Each event implemented in the peripheral is associated with a specific bit position in the INTEN register. The correct bit position can be derived from the event's address. The event on address 0x100 is associated with bit 0 in the INTEN register, the event at address 0x104 is associated with bit 1, and so on. The event at address 0x17C is identified with bit 31 in the INTEN register. This pattern effectively limits the maximum number of events in a peripheral to 32.

The INTEN register implements the "set and clear" pattern, which is illustrated in **Table 10** on page 37, that is, INTEN, INTENSET, and INTENCLR. The relationship between tasks, events, shortcuts, and interrupts is shown in **Figure 5** on page 34.

9.2 Register overview tables

All peripherals follow the register group pattern in *Table 10*; tasks are grouped together, events are grouped together, and all other register types are grouped together. In addition, SHORTS and INTEN registers have a fixed location in the register map.

Register	Offset	Description
TASKS		
{TASK0}	0x000	Description of the first task
{TASK1}	0x004	Description of the second task
<>		
{TASK31}	0x07C	Description of the 32nd task (last task)
EVENTS		
{EVENT0}	0x100	Description of the first event
{EVENT1}	0x104	Description of the second event
<>		
{EVENT31}	0x17C	Description of the 32nd event (last event)
REGISTERS		
SHORTS	0x200	Shortcut register
INTENSET	0x304	Interrupt enable set register
INTENCLR	0x308	Interrupt enable clear register
{REG0}	0x400	First generic register
<>	<>	<>
{REGN}	0x7FC	Last generic register

Table 10 Example of register overview table

10 Debugger Interface (DIF)

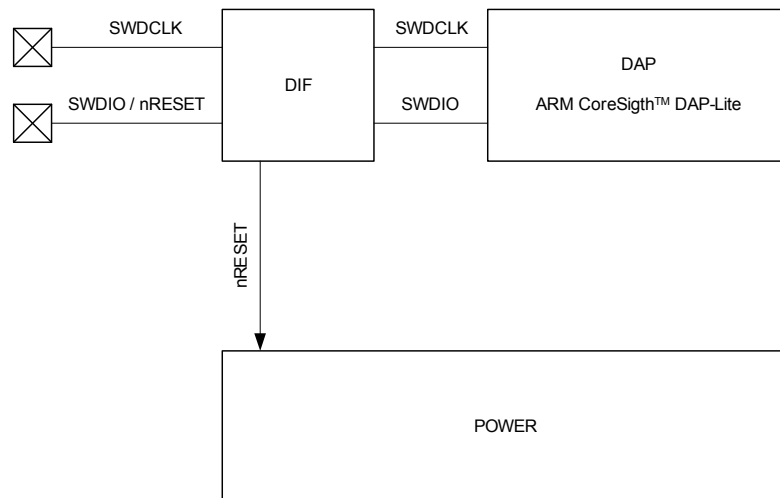


Figure 6 Debugger interface

10.1 Functional description

nRF51 devices support the Serial wire Debug (SWD) interface from ARM. The interface has two lines; SWDCLK and SWDIO. SWDIO and nRESET share the same physical pin. The Debugger Interface (DIF) module is responsible for handling the resource sharing between SWD traffic and reset functionality. The **SWDCLK** pin has an internal pull down resistor and the **SWDIO/nRESET** pin has an internal pull up resistor.

10.1.1 Normal mode

The DIF module will be in normal mode after power on reset. In this mode the **SWDIO/nRESET** pin acts as a normal active low reset pin.

To guarantee that the device remains in normal mode, the SWDCLK line must be held low, that is, '0', at all times. Failing to do so may result in the DIF entering into an unknown state and may lead to undesirable behavior and power consumption.

10.1.2 Debug interface mode

Debug interface mode is initiated by clocking one clock cycle on SWDCLK with SWDIO=1. Due to delays caused by starting up the DAP's power domain, a minimum of 150 clock cycles must be clocked at a speed of minimum 125 kHz on SWDCLK with SWDIO=1 to guaranty that the DAP is able to capture a minimum of 50 clock cycles.

If the device is in System OFF mode, see the POWER chapter, *Chapter 11 "Power management (POWER)"* on page 40, for more information about System OFF mode, entering into debug interface mode will generate a wake-up.

In debug interface mode, the **SWDIO/nRESET** pin will be used as SWDIO. The pin reset mechanism will therefore be disabled as long as the device is in debug interface mode.

In debug interface mode, System OFF will be emulated to facilitate debugging of the device while in System OFF. Power numbers will naturally be higher in emulated System OFF compared to normal System OFF. See emulated System OFF in *Chapter 11 "Power management (POWER)"* on page 40 for more information.

10.1.3 Resuming normal mode

Normal mode can always be resumed by performing a "hard-reset" through the SWD interface:

1. Enter debug interface mode.
2. Enable reset through the RESET register in the POWER peripheral.
3. Hold the SWDCLK and **SWDIO/nRESET** line low for a minimum of 100 μ s.

You can also generate a "hard-reset" by performing a power on reset, or a brown-out reset.

11 Power management (POWER)

The power management on the nRF51 series gives you unique flexibility through the orthogonal power control of all system blocks on the devices.

11.1 Functional description

11.1.1 Power supply

The nRF51 supports three different power supply alternatives: internal DC/DC converter setup, internal LDO setup, and Low Voltage mode setup.

11.1.1.1 DC/DC converter setup

Selected nRF51 series devices have a Buck type DC/DC converter that steps down the supply voltage VDD. The resulting voltage is then used by an internal LDO that supplies the system with power, see *Figure 7*.

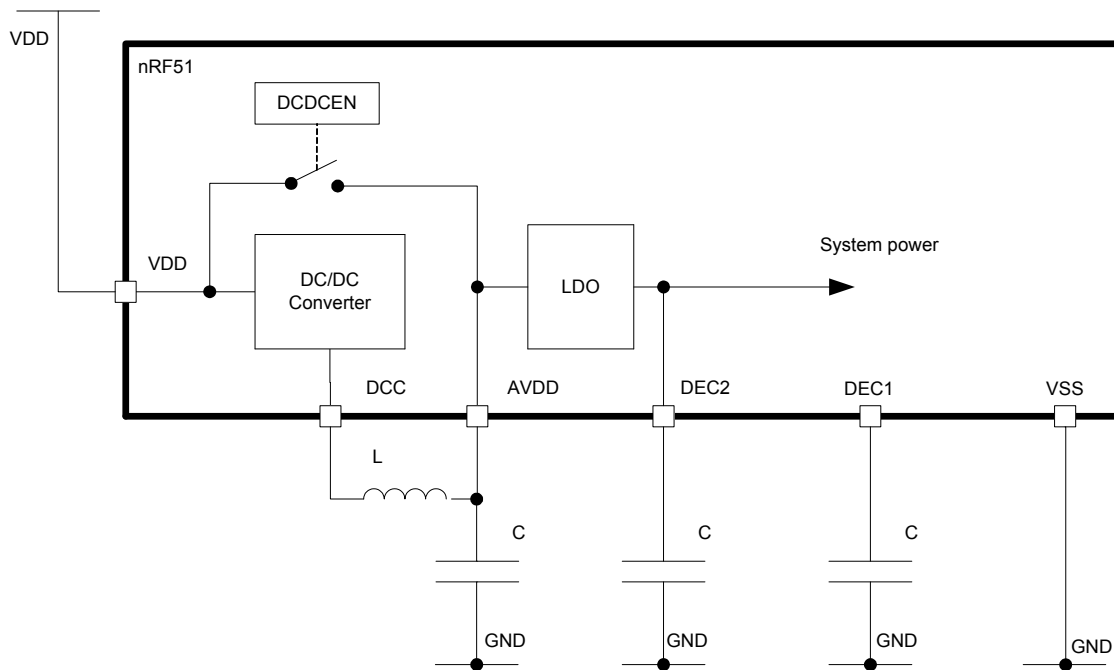


Figure 7 DC/DC converter

The DC/DC converter requires an external LC filter and is enabled through the DCDCEN register as illustrated in *Figure 7*. See the product specification for more information about component values.

The DC/DC converter only reduces the system's net power consumption if VDD is above the minimum voltage (stated in the product specification) and the internal current consumption (I_{DD}) gives a DC/DC conversion factor of $F_{DCDC} < 1$. Therefore, to save power it is recommended to disable the DC/DC converter if VDD is below the minimum voltage or $F_{DCDC} > 1$.

AVDD is connected to VDD internally if the DC/DC converter is not enabled. This internal connection introduces a small series resistance between VDD and AVDD, see the product specification for more information.

Calculating current when the DC/DC converter is enabled

The device current consumption when the DC/DC converter is enabled ($I_{DD,DCDC}$) can be calculated using *Equation 1*, the parameters in *Table 11* and the conversion factor chart in *Figure 7* on page 40.

Parameter	Description	Value
I_{DD}	Internal current consumption (current drawn from device power regulators) under Normal Test Conditions (NTC)	Calculated by adding current values from Electrical Specification tables in the device product specification.
$I_{DD,DCDC}$	Current drawn from the external power supply (VDD) when the DC/DC converter is enabled	Calculated using <i>Equation 1</i> .
F_{DCDC}	DC/DC current conversion factor based on DC/DC converter efficiency	Interpolated from <i>Figure 7</i> .
VDD	Voltage at VDD pin	
$T_{START,DCDC}$	DC/DC converter startup time.	Calculated using <i>Equation 2</i> .

Table 11 DC/DC current calculation parameters

$$I_{DD,DCDC} = F_{DCDC} \cdot I_{DD}$$

Equation 1 DC/DC current calculation

The internal current consumption (I_{DD}), calculated using electrical specification data from the product specification, is used with the supply voltage (VDD) to find the current factor (F_{DCDC}) using *Figure 8*.

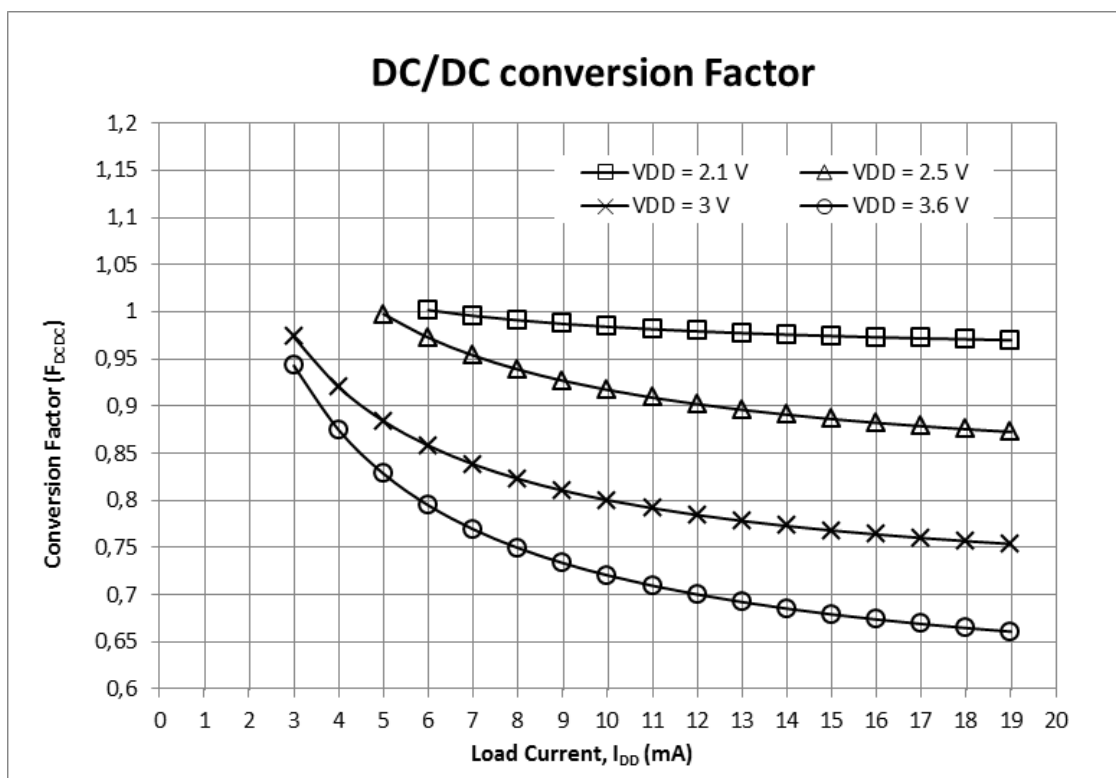


Figure 8 DC/DC conversion factor

If $F_{DCDC} < 1$, then $I_{DD,DCDC} < I_{DD}$ when the DC/DC converter is enabled, resulting in a decrease in power consumption.

If $F_{DCDC} > 1$, then $I_{DD} < I_{DD,DCDC}$ when the DC/DC converter is enabled, resulting in an increase in power consumption. This is due to the base run current of the DC/DC converter (I_{DCDC}) being the dominant factor.

Continuous use of the DC/DC converter

Using the DC/DC converter continuously can save power when average load current is expected to be larger than 4 to 6 mA. When average load current is less than 4 mA, the conversion factor F_{DCDC} approaches a value > 1 and continuous use of the DC/DC converter will increase current consumption.

For example, if a battery voltage $V_{DD} = 3V$ and an average internal current consumption, including the DC/DC converter run current (I_{DCDC}), is $I_{DD} = 10\text{ mA}$: F_{DCDC} would be 0.8 using **Figure 7** on page 40. The current drawn from VDD, when the DC/DC converter is enabled, would be $I_{DD,DCDC} = 0.8 \times 10\text{ mA} = 8\text{ mA}$.

Non-continuous use of the DC/DC converter

The DC/DC converter has a startup time of $t_{START,DCDC}$. This is the time it takes for the DC/DC converter to pull down AVDD to the internal supply voltage of 1.9 V. This is a function of the decoupling capacitance on the AVDD pin (C_{AVDD}), supply voltage (V_{DD}), and load current (I_{DD}):

$$t_{START,DCDC} = \frac{(V_{DD} - 1.9)(C_{AVDD})}{I_{DD}}$$

Equation 2 DC/DC converter startup time

For example, given a decoupling capacitance (C_{AVDD}) of 1 μF , supply voltage (V_{DD}) of 3.6 V, and internal current consumption (I_{DD}) of 4 mA, $t_{START,DCDC}$ is 425 μs .

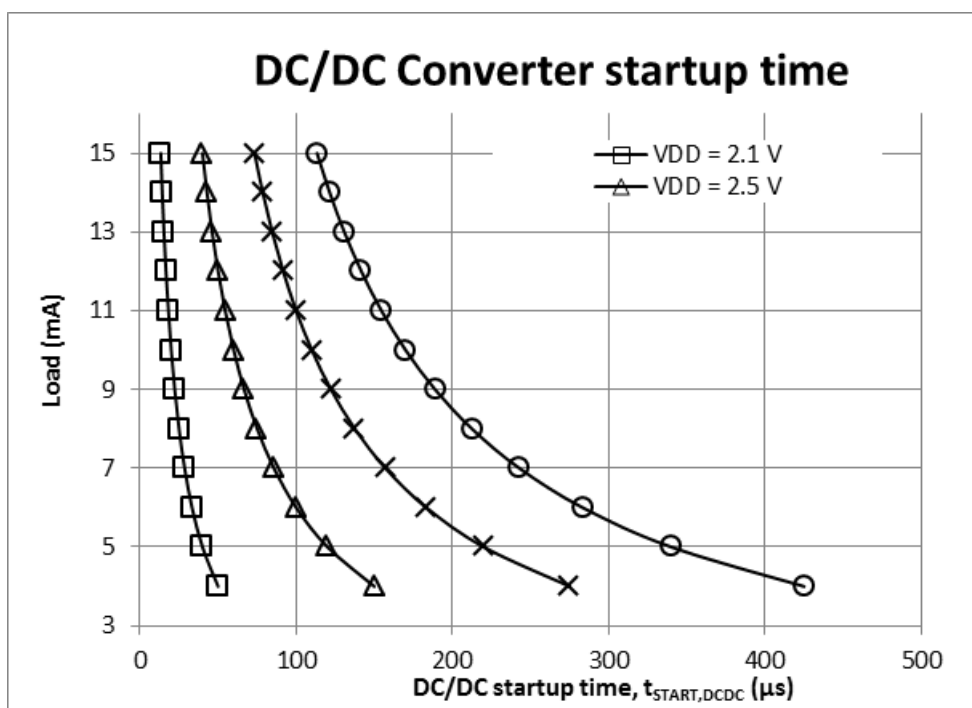


Figure 9 DC/DC converter startup time when $C_{AVDD} = 1 \mu\text{f}$

$t_{START,DCDC}$ must be considered when enabling the DC/DC converter during periods of peak current consumption because the DC/DC converter will draw base current of I_{DCDC} when enabled, including the startup period.

For example, if the DC/DC converter was enabled and $VDD = 3V$ and peak current $I_{DD} = 10\text{ mA}$, F_{DCDC} would be 0.8 using **Figure 8** on page 41 and $t_{START,DCDC}$ would be $110\text{ }\mu\text{s}$ using **Equation 2** on page 43. The current drawn from the battery in the first $110\text{ }\mu\text{s}$ would be $I_{DD} = 10\text{ mA} + (I_{DCDC}) = 10.3\text{ mA}$. The current drawn from the battery after the first $110\text{ }\mu\text{s}$ would be $I_{DD,DCDC} = 8.24\text{ mA}$. Peak current, in this case, would have to be drawn for more than $198\text{ }\mu\text{s}$ to save power:

$$\frac{8.24\text{ mA}(110\text{ }\mu\text{s})}{10.3\text{ mA}} + 110\text{ }\mu\text{s} = 198\text{ }\mu\text{s}$$

- Note:**
- If the DC/DC converter is to be used when the Radio is enabled, it must start ($AVDD = 1.9V$) before the TXENABLE or RXENABLE tasks can be set. The DC/DC converter cannot be enabled within $t_{START,DCDC}$ of the Radio starting. The software managing the non-continuous use of the DC/DC converter must ensure this is true.
 - The DC/DC converter does not operate over the whole device voltage range and must be disabled (switching the device to use the internal LDO) when the voltage drops to the lower threshold of the supply voltage range.

11.1.1.2 Internal LDO setup

The internal DC/DC converter can be bypassed if it is not going to be used. When the DC/DC converter is bypassed, only the internal LDO is active as illustrated in **Figure 10**. The internal LDO will then generate the system power directly from the supply voltage VDD. It is recommended that the DC/DC converter is disabled in this setup.

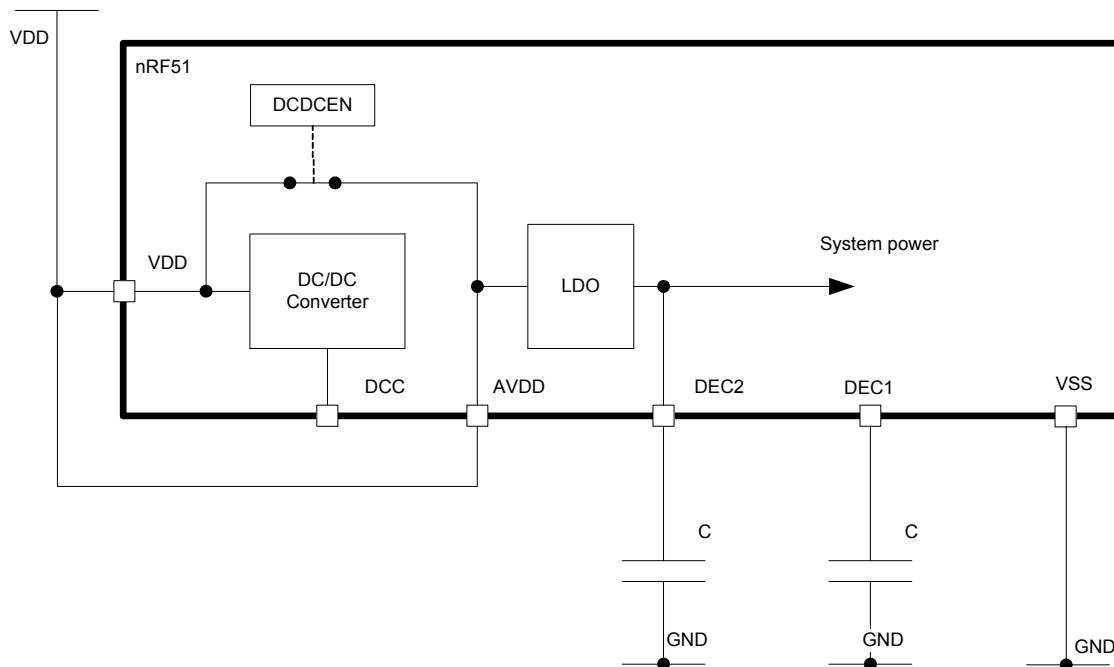


Figure 10 LDO regulator only

11.1.1.3 Low voltage mode setup

If you have a stable, low voltage available for the nRF51 device, it is possible to configure the device in low voltage mode as illustrated in **Figure 11**. In this mode the internal LDO is bypassed and the system is powered directly from the supply voltage VDD. See the product specification for more information about which voltage levels are supported in low voltage mode. In low voltage mode, the DC/DC converter must be disabled. Additional requirements may apply to the accuracy and stability of the supply voltage in low voltage mode. See the product specification for more information.

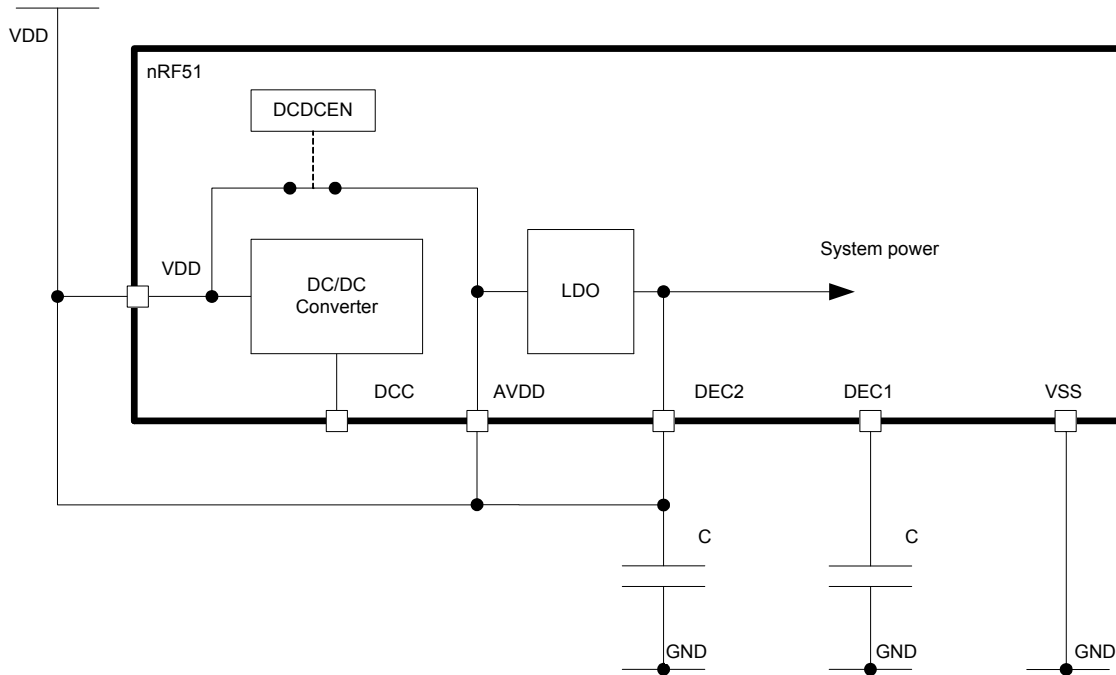


Figure 11 Low voltage mode

11.1.2 System OFF mode

System OFF is the deepest power saving mode the system can enter. In this mode, the system's core functionality is powered down and all ongoing tasks are terminated. The only mechanism that is functional and responsive in this mode is the reset and the wake-up mechanism.

One or more blocks of RAM can be retained in System OFF mode depending on the settings in the RAMON register.

The system can be woken up from System OFF mode either from the DETECT signal generated by the GPIO peripheral, by the ANADETECT signal generated by the LPCOMP module, or from a reset. When the system wakes up from OFF mode, a system reset is performed.

Before entering System OFF mode you must make sure that all on-going EasyDMA transactions have been completed. This is usually accomplished by making sure that the EasyDMA enabled peripheral is not active when entering System OFF.

11.1.2.1 Emulated System OFF mode

If the device is in debug interface mode, System OFF will be emulated to secure that all required resources needed for debugging are available during System OFF, see **Chapter 10 "Debugger Interface (DIF)"** on

page 38, for more information. This includes the following key components: DAP, DIF, CLOCK, POWER, NVMC, MPU, CPU, CODE, and RAM. Since the CPU is kept on in emulated System OFF mode, it is recommended to add an infinite loop directly after entering System OFF, to prevent the CPU from executing code that normally should not be executed.

11.1.3 System ON mode

System ON mode is a fully operational mode, where the CPU and selected peripherals can be brought into a state where they are functional and more or less responsive depending on the sub power mode selected.

In System ON mode the CPU can either be active or sleeping. The CPU enters sleep by executing the WFI or WFE instruction found in the CPU's instruction set. In WFI sleep the CPU will wake up as a result of an interrupt request if the associated interrupt is enabled in the NVIC. In WFE sleep the CPU will wake up as a result of an interrupt request regardless of the associated interrupt being enabled in the NVIC or not.

The system implements mechanisms to automatically switch on and off the appropriate power sources depending on how many peripherals are active, and how much power is needed at any given time. The power requirement of a peripheral is directly related to its activity level. The activity level is usually raised and lowered when specific tasks are triggered or events generated, see individual chapters describing the different peripherals for more information on how to optimize power consumption in System ON mode.

11.1.3.1 Sub power modes

During CPU sleep, in System ON mode, the system can reside in one of the following two sub power modes:

- Constant Latency
- Low Power

In Constant Latency mode (for more information, see the device specific product specification) the CPU wakeup latency and the PPI task response will be constant and kept at a minimum. This is secured by forcing a set of base resources while in sleep, see the device specific product specification for more information about which resources are forced on. The advantage of having a constant and predictable latency will be at the cost of having increased power consumption. The Constant Latency mode is selected by triggering the CONSTLAT task.

In Low Power mode the automatic power management system, described in **Section 11.1.3 "System ON mode"**, will be most effective and save most power. The advantage of having low power will be at the cost of having varying CPU wakeup latency and PPI task response. The Low Power mode is selected by triggering the LOWPWR task.

When the system enters ON mode, it will, by default, reside in the Low Power sub power mode.

11.1.4 Power supply supervisor

The power supply supervisor initializes the system at power-on and provides an early warning of impending power failure. In addition the power supply supervisor puts the system in a reset state if the supply voltage is too low for safe operation (brown-out). The power supply supervisor is illustrated in **Figure 12**.

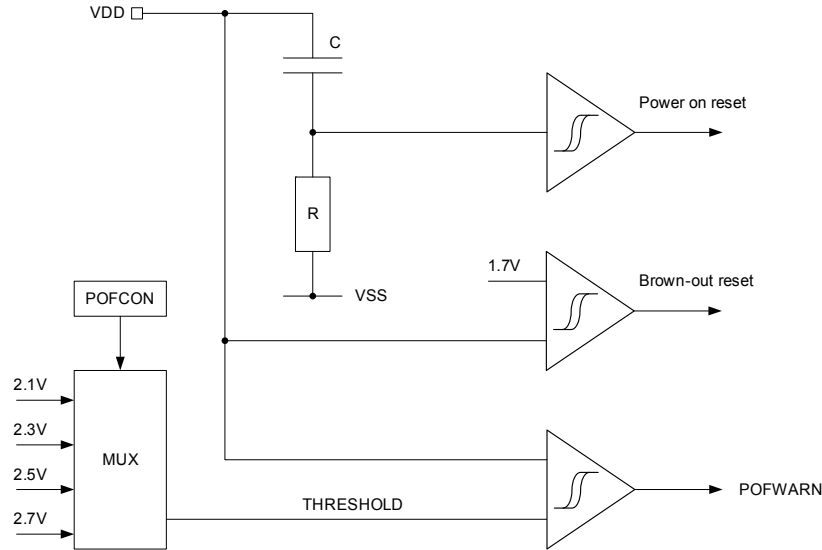


Figure 12 Power supply supervisor

11.1.4.1 Power-fail comparator

The power failure comparator provides the CPU with an early warning of impending power failure. It will not reset the system, but give the CPU time to prepare for an orderly power-down. It also provides hardware protection of data stored in program memory by preventing write and erase instructions from being executed.

The comparator has approximately 0.1 V of hysteresis (VHYST), as illustrated in **Figure 13**.

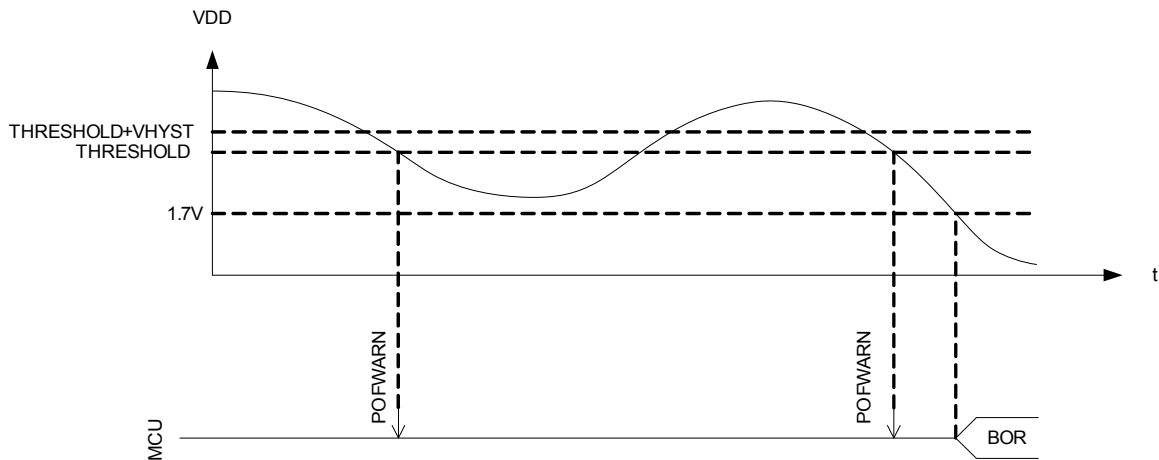


Figure 13 Power failure comparator (BOR = Brown-out reset)

The power failure comparator is only intended to be used as long as the CPU is running. If the power failure comparator is enabled when the CPU is not running, this may result in unpredictable behavior in the power failure comparator.

11.1.5 RAM blocks

Each of the available RAM blocks, which each may contain multiple RAM sections, can power up and down independently in both System ON and System OFF mode. See *Chapter 4 "Memory"* on page 11 for more information about RAM blocks and their sections.

11.1.6 Reset

The nRF51 series implements various reset sources. After a reset the CPU can query the RESETRAS (reset reason register) to find out which source generated the reset.

11.1.6.1 Power-on reset

The power-on reset generator initializes the system at power-on. The system is held in reset state until the supply has reached the minimum operating voltage, see the device specific product specification for more information.

11.1.6.2 Pin reset

A pin reset is generated when the physical reset pin on the device is asserted. Since the debugger interface uses the same pin as the pin reset mechanism, a pin reset will not be available when the device is in debug interface mode unless explicitly enabled in the RESET register.

11.1.6.3 Wakeup from OFF mode reset

The device is reset when it wakes up from OFF mode.

The DAP is not reset following a wake up from OFF mode if the device is in debug interface mode, see *Chapter 10 "Debugger Interface (DIF)"* on page 38 for more information.

11.1.6.4 Soft reset

A soft reset is generated when the SYSRESETREQ bit of the Application Interrupt and Reset Control Register (AIRCR register) in the ARM® core is set.

11.1.6.5 Watchdog reset

A Watchdog reset is generated when the watchdog times out.

11.1.6.6 Brown-out reset

The brown-out reset generator puts the system in reset state if the supply voltage drops below the brown-out reset threshold.

11.1.6.7 Retained registers

A retained register is a register that will retain its value in System OFF mode, and through a reset depending on reset source. See individual peripheral chapters for information of which registers are retained for the different peripherals.

11.1.6.8 Reset behavior

Reset source	Reset target							
	CPU	Peripherals	GPIO	DAP	RAM ¹	WDT	Retained registers	RESETREAS
CPU lockup ²	✓	✓	✓					
Soft reset	✓	✓	✓					
Wakeup from System OFF mode reset	✓	✓		✓ ³	✓ ⁴			
Watchdog reset ⁵	✓	✓	✓	✓	✓	✓	✓	
Pin reset ⁶	✓	✓	✓	✓	✓	✓	✓	
Brownout reset	✓	✓	✓	✓	✓	✓	✓	✓
Power on reset	✓	✓	✓	✓	✓	✓	✓	✓

1. The RAM is never reset, but depending on reset source, RAM content may be corrupted.
2. Reset from CPU lockup is disabled if the device is in debug interface mode. CPU lockup is not possible in System OFF.
3. The DAP will not be reset if the device is in debug interface mode.
4. RAM is not reset on wake-up from OFF mode, but depending on settings in the RAMON register parts, or the whole RAM, may not be retained after the device has entered System OFF mode.
5. Watchdog reset is not available in System OFF.
6. Not available when device is in debug interface mode.

11.2 Registers

Register	Offset	Description
TASKS		
CONSTLAT	0x078	Enable constant latency mode
LOWPWR	0x07C	Enable low power mode (variable latency)
EVENTS		
POFWARN	0x108	Power failure warning
REGISTERS		
INTENSET	0x304	Interrupt enable set register
INTENCLR	0x308	Interrupt enable clear register
RESETREAS	0x400	Reset reason
SYSTEMOFF	0x500	System OFF register
POFCON	0x510	Power failure configuration
GPREGRET	0x51C	General purpose retention register
RAMON	0x524	RAM on/off
RESET	0x544	Configure reset functionality
DCDCEN	0x578	DCDC enable register

Table 12 Register overview

11.2.1 RESETRAS

Unless cleared, this register is cumulative. A field is cleared by writing '1' to it. If none of the reset sources are flagged, it indicates that the chip was reset from the on-chip reset generator.

Bit number	31	30	29	28	27	26	25	24	23	22	21	20	19	18	17	16	15	14	13	12	11	10	9	8	7	6	5	4	3	2	1	0			
ID (Field ID)	-	-	-	-	-	-	-	-	-	-	-	-	-	G	F	E	-	-	-	-	-	-	-	-	-	-	-	-	-	-	-	D	C	B	A
Reset value	0	0	0	0	0	0	0	0	0	0	0	0	0	0	0	0	0	0	0	0	0	0	0	0	0	0	0	0	0	0	0	0	0	0	
ID	RW	Field	Value ID	Value	Description																														
A	RW	RESETPIN	1	1	Reset from pin detected																														
B	RW	DOG	1	1	Reset from watchdog detected																														
C	RW	SREQ	1	1	Reset from AIRCR.SYSRESETREQ detected																														
D	RW	LOCKUP	1	1	Reset from CPU lock-up detected																														
E	RW	OFF	1	1	Reset due to wake-up from OFF mode when wakeup is triggered from the DETECT signal from GPIO																														
F	RW	LPCOMP	1	1	Reset due to wake-up from OFF mode when wakeup is triggered from ANADETECT signal from LPCOMP																														
G	RW	DIF	1	1	Reset due to wake-up from OFF mode when wakeup is triggered from entering into debug interface mode																														

11.2.2 SYSTEMOFF

Bit number	31	30	29	28	27	26	25	24	23	22	21	20	19	18	17	16	15	14	13	12	11	10	9	8	7	6	5	4	3	2	1	0		
ID (Field ID)	-	-	-	-	-	-	-	-	-	-	-	-	-	-	-	-	-	-	-	-	-	-	-	-	-	-	-	-	-	-	-	-	-	A
Reset value	0	0	0	0	0	0	0	0	0	0	0	0	0	0	0	0	0	0	0	0	0	0	0	0	0	0	0	0	0	0	0	0	0	0
ID	RW	Field	Value ID	Value	Description																													
A	W			1	Enter System OFF mode																													

11.2.3 GPREGRET

Bit number	31	30	29	28	27	26	25	24	23	22	21	20	19	18	17	16	15	14	13	12	11	10	9	8	7	6	5	4	3	2	1	0		
ID (Field ID)	-	-	-	-	-	-	-	-	-	-	-	-	-	-	-	-	-	-	-	-	-	-	-	-	-	-	-	-	-	-	-	-	-	A
Reset value	0	0	0	0	0	0	0	0	0	0	0	0	0	0	0	0	0	0	0	0	0	0	0	0	0	0	0	0	0	0	0	0	0	0
ID	RW	Field	Value ID	Value	Description																													
A	RW				General purpose retention register. This register is a retained register.																													

11.2.4 POFCON

Bit number	31	30	29	28	27	26	25	24	23	22	21	20	19	18	17	16	15	14	13	12	11	10	9	8	7	6	5	4	3	2	1	0		
ID (Field ID)	-	-	-	-	-	-	-	-	-	-	-	-	-	-	-	-	-	-	-	-	-	-	-	-	-	-	-	-	-	-	-	B	B	A
Reset value	0	0	0	0	0	0	0	0	0	0	0	0	0	0	0	0	0	0	0	0	0	0	0	0	0	0	0	0	0	0	0	0	0	
ID	RW	Field	Value ID	Value	Description																													
A	RW	POF		0	Disable power failure comparator																													
				1	Enable power failure comparator																													
B	RW	THRESHOLD	V21	0	Set threshold to 2.1 V																													
			V23	1	Set threshold to 2.3 V																													
			V25	2	Set threshold to 2.5 V																													
			V27	3	Set threshold to 2.7 V																													

11.2.5 RAMON

The RAM is divided into separate blocks for power management purposes. These blocks are not related in any way to the region concept described in the memory chapter.

Bit number	31	30	29	28	27	26	25	24	23	22	21	20	19	18	17	16	15	14	13	12	11	10	9	8	7	6	5	4	3	2	1	0			
ID (Field ID)	-	-	-	-	-	-	-	-	-	-	-	-	H	G	F	E	-	-	-	-	-	-	-	-	-	-	-	-	-	-	-	D	C	B	A
Reset value	0	0	0	0	0	0	0	0	0	0	0	0	0	0	0	0	0	0	0	0	0	0	0	0	0	0	0	0	0	1	1	1	1		
ID	RW	Field	Value ID	Value	Description																														
A	RW	ONRAM0		0	Keep RAM block 0 off in ON mode																														
				1	Keep RAM block 0 on in ON mode																														
B	RW	ONRAM1		0	Keep RAM block 1 off in ON mode																														
				1	Keep RAM block 1 on in ON mode																														
C	RW	ONRAM2		0	Keep RAM block 2 off in ON mode																														
				1	Keep RAM block 2 on in ON mode																														
D	RW	ONRAM3		0	Keep RAM block 3 off in ON mode																														
				1	Keep RAM block 3 on in ON mode																														
E	RW	OFFRAM0		0	Keep RAM block 0 off in OFF mode																														
				1	Keep RAM block 0 on in OFF mode																														
F	RW	OFFRAM1		0	Keep RAM block 1 off in OFF mode																														
				1	Keep RAM block 1 on in OFF mode																														
G	RW	OFFRAM2		0	Keep RAM block 2 off in OFF mode																														
				1	Keep RAM block 2 on in OFF mode																														
H	RW	OFFRAM3		0	Keep RAM block 3 off in OFF mode																														
				1	Keep RAM block 3 on in OFF mode																														

11.2.6 RESET

Bit number	31	30	29	28	27	26	25	24	23	22	21	20	19	18	17	16	15	14	13	12	11	10	9	8	7	6	5	4	3	2	1	0		
ID (Field ID)	-	-	-	-	-	-	-	-	-	-	-	-	-	-	-	-	-	-	-	-	-	-	-	-	-	-	-	-	-	-	-	-	-	A
Reset value	0	0	0	0	0	0	0	0	0	0	0	0	0	0	0	0	0	0	0	0	0	0	0	0	0	0	0	0	0	0	0	0	1	
ID	RW	Field	Value ID	Value	Description																													
A	RW				Enable pin reset in debug interface mode, see the DIF peripheral register. This register is a retained register.																													
				0	Disable																													
				1	Enable																													

11.2.7 DCDCEN

Bit number	31	30	29	28	27	26	25	24	23	22	21	20	19	18	17	16	15	14	13	12	11	10	9	8	7	6	5	4	3	2	1	0		
ID (Field ID)	-	-	-	-	-	-	-	-	-	-	-	-	-	-	-	-	-	-	-	-	-	-	-	-	-	-	-	-	-	-	-	-	-	A
Reset value	0	0	0	0	0	0	0	0	0	0	0	0	0	0	0	0	0	0	0	0	0	0	0	0	0	0	0	0	0	0	0	0	0	
ID	RW	Field	Value ID	Value	Description																													
A	RW				Enable DC/DC converter.																													
				0	Disable																													
				1	Enable																													

12 Clock management (CLOCK)

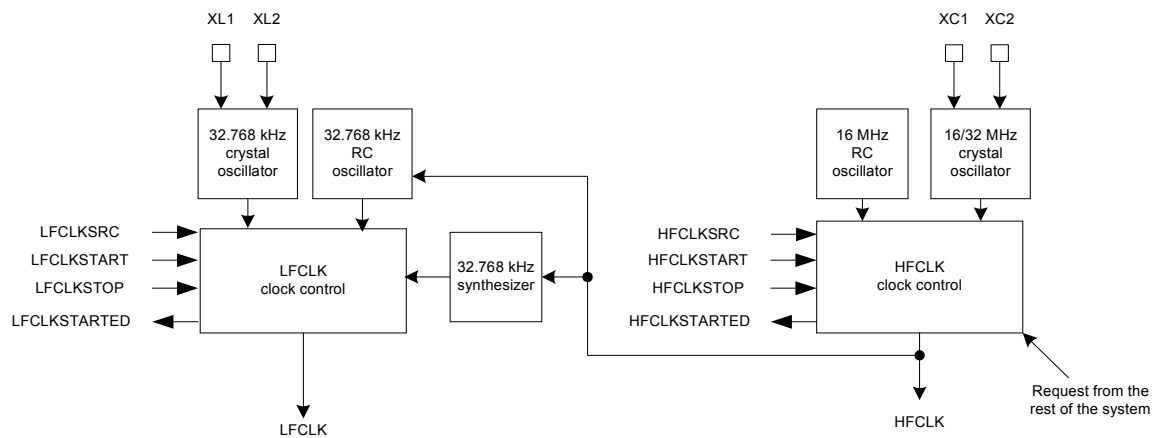


Figure 14 Clock control

12.1 Functional description

The system depends on, and generates, two different clocks: a high frequency clock (HFCLK) and a low frequency clock (LFCLK). These clocks are only available when the system is in ON mode.

The HFCLK is fixed to 16 MHz and the LFCLK is fixed to 32.768 kHz.

12.1.1 Low frequency clock (LFCLK)

The system supports three LFCLK clock sources: the 32.768 kHz crystal oscillator, the 32.768 kHz RC oscillator, and the 32.768 kHz synthesized clock, see **Figure 14**. The 32.768 kHz crystal oscillator requires an external AT-cut quartz crystal to be connected to the **XL1** and **XL2** pins in parallel resonant mode. The **XL1** and **XL2** share pins with the GPIO.

Note: GPIOs that share pins with **XL1** and **XL2** differ from device to device. For more information, see the device specific product specification.

The LFCLK clock and all of the available LFCLK sources are switched off by default when the system is propagated from OFF to ON mode.

The LFCLK clock is started by first selecting the preferred clock source in the **LFCLKSRC** register and then triggering the **LFCLKSTART** task. If the selected clock source cannot be started immediately the 32.768 kHz RC oscillator will start automatically and generate the LFCLK until the selected clock source is available.

The LFCLK is stopped by triggering the **LFCLKSTOP** task. The **LFCLKSRC** register should only be modified when the LFCLK is not running.

The 32.768 kHz crystal oscillator utilizes an amplitude regulated architecture to achieve low current consumption and fast start-up. The 32.768 kHz crystal oscillator is also designed to work with one of the following alternative external sources:

- A rail-to-rail clock signal applied to the **XL1** pin. The **XL2** pin shall then be left unconnected.
- A low swing clock signal applied to the **XL1** pin. The **XL2** pin shall then be left unconnected.

The synthesized 32.768 kHz clock depends on the HFCLK to run. If 250 ppm accuracy is required for the LFCLK running off the synthesized 32.768 kHz clock, the HFCLK must be generated from the 16/32 MHz crystal oscillator.

12.1.2 High frequency clock (HFCLK)

The system supports two high frequency clock sources: the 16/32 MHz crystal oscillator and the 16 MHz RC oscillator, see *Figure 14* on page 53. The HFCLK (16/32 MHz) crystal oscillators require an external AT-cut quartz crystal to be connected to the **XC1** and **XC2** pins in parallel resonant mode. If a 32 MHz crystal is used the XTALFREQ register must be configured accordingly.

When the system enters ON mode, the 16 MHz RC oscillator will start up automatically to provide the HFCLK to the CPU and other active parts of the system.

The HFCLK crystal oscillator is started by triggering the HFCLKSTART task and stopped using the HFCLKSTOP task. A HFCLKSTARTED event will be generated when the selected HFCLK crystal oscillator has started. The start-up times of the 16 MHz and 32 MHz crystal oscillators are described in the device specific product specification.

The 16 MHz RC oscillator is automatically switched off when one of the HFCLK crystal oscillators is running; it will be switched back on automatically when the HFCLK crystal oscillator is stopped.

If the system does not require a 16 MHz clock, the 16 MHz RC oscillator may be switched off automatically to save power. This occurs if all peripherals that require the HFCLK are appropriately stopped or disabled, and the CPU is sleeping. When this condition is no longer met the 16 MHz RC oscillator is automatically restarted. These optimization steps are only performed when the HFCLK is generated from the 16 MHz RC oscillator.

To use the RADIO and the calibration mechanism associated with the 32.768 kHz RC oscillator, the HFCLK must be generated from a HFCLK crystal oscillator.

The HFCLK crystal oscillators utilize amplitude regulated architecture to achieve low current consumption and fast start-up. The HFCLK crystal oscillators are also designed to work with one of the following alternative external sources:

- A 16 MHz rail-to-rail clock signal applied to the **XC1** pin. The **XC2** pin shall then be left unconnected.
- A 16MHz low swing clock signal applied to the **XC1** pin. The **XC2** pin shall then be left unconnected.

12.1.3 Calibrating the 32.768 kHz RC oscillator

After the 32.768 kHz RC oscillator is started and running, it can be calibrated triggering the CAL task. The 32.768 kHz RC oscillator will then temporarily request the HFCLK to calibrate itself against. A DONE event will be generated when calibration has finished. The calibration mechanism will only work as long as HFCLK is generated from the 16/32MHz crystal oscillator. Therefore, it is necessary to explicitly start this crystal oscillator before calibration can be started. See the device product specification for recommendations on calibration intervals and crystal accuracy.

12.1.3.1 Calibration timer

The calibration timer can be used to time the calibration interval of the 32.768 kHz RC oscillator. The calibration timer is started by triggering the CTSTART task and stopped by triggering the CTSTOP task. The calibration timer will always start counting down from the value specified in CTIV and generate a CTTO timeout event when it reaches 0. The Calibration timer will stop by itself when it reaches 0.

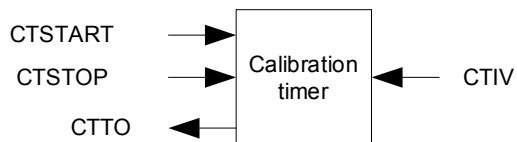


Figure 15 Calibration timer

Due to limitations in the calibration timer, only one task related to calibration, that is, CAL, CTSTART and CTSTOP, can be triggered for every period of LFCLOCK.

12.2 Registers

Register	Offset	Description
TASKS		
HFCLKSTART	0x000	Start HFCLK crystal oscillator
HFCLKSTOP	0x004	Stop HFCLK crystal oscillator
LFCLKSTART	0x008	Start LFCLK source
LFCLKSTOP	0x00C	Stop LFCLK source
CAL	0x010	Start calibration of LFCLK RC oscillator
CTSTART	0x014	Start calibration timer
CTSTOP	0x018	Stop calibration timer
EVENTS		
HFCLKSTARTED	0x100	16 MHz oscillator started
LFCLKSTARTED	0x104	32 kHz oscillator started
DONE	0x10C	Calibration of LFCLK RC oscillator complete event
CTTO	0x110	Calibration timer timeout
REGISTERS		
INTENSET	0x304	Interrupt enable set register
INTENCLR	0x308	Interrupt enable clear register
HFCLKSTAT	0x40C	Which HFCLK source is running
LFCLKSTAT	0x418	Which LFCLK source is running
LFCLKSRC	0x518	Clock source for the 32 kHz clock
CTIV	0x538	Calibration timer interval
XTALFREQ	0x550	Crystal frequency

Table 13 Register overview

12.2.1 HFCLKSTAT

Bit number	31	30	29	28	27	26	25	24	23	22	21	20	19	18	17	16	15	14	13	12	11	10	9	8	7	6	5	4	3	2	1	0	
ID (Field ID)	-	-	-	-	-	-	-	-	-	-	-	-	-	-	-	B	-	-	-	-	-	-	-	-	-	-	-	-	-	-	-	-	A
Reset value	0	0	0	0	0	0	0	0	0	0	0	0	0	0	0	0	0	0	0	0	0	0	0	0	0	0	0	0	0	0	0	0	
ID	RW	Field	Value ID	Value	Description																												
A	R	SRC			Active Clock source																												
			RC	0	16 MHz RC oscillator running and generating the HFCLK																												
			XTAL	1	16/32 MHz crystal oscillator running and generating the HFCLK																												
B	R	STATE			HFCLK state																												
					HFCLK not running																												
					HFCLK running																												
			NOTRUNNING	0																													
			RUNNING	1																													

12.2.2 LFCLKSRC

Bit number	31	30	29	28	27	26	25	24	23	22	21	20	19	18	17	16	15	14	13	12	11	10	9	8	7	6	5	4	3	2	1	0	
ID (Field ID)	-	-	-	-	-	-	-	-	-	-	-	-	-	-	-	-	-	-	-	-	-	-	-	-	-	-	-	-	-	-	-	A	A
Reset value	0	0	0	0	0	0	0	0	0	0	0	0	0	0	0	0	0	0	0	0	0	0	0	0	0	0	0	0	0	0	0	0	
ID	RW	Field	Value ID	Value	Description																												
A	RW	SRC			Clock source																												
			RC	0	32.768 kHz RC oscillator																												
			XTAL	1	32.768 kHz crystal oscillator																												
			SYNTH	2	32.768 kHz synthesizer synthesizing 32.768 kHz from 16 MHz system clock																												

12.2.3 LFCLKSTAT

Bit number	31	30	29	28	27	26	25	24	23	22	21	20	19	18	17	16	15	14	13	12	11	10	9	8	7	6	5	4	3	2	1	0	
ID (Field ID)	-	-	-	-	-	-	-	-	-	-	-	-	-	-	-	B	-	-	-	-	-	-	-	-	-	-	-	-	-	-	-	A	A
Reset value	0	0	0	0	0	0	0	0	0	0	0	0	0	0	0	0	0	0	0	0	0	0	0	0	0	0	0	0	0	0	0	0	
ID	RW	Field	Value ID	Value	Description																												
A	R	SRC			Active Clock source																												
			RC	0	32.768 kHz RC oscillator running and generating the LFCLK																												
			XTAL	1	32.768 kHz crystal oscillator running and generating the LFCLK																												
			SYNTH	2	32.768 kHz synthesizer synthesizing 32.768 kHz from 16 MHz system clock																												
B	R	STATE			LFCLK state																												
			NOTRUNNING	0	LFCLK not running																												
			RUNNING	1	LFCLK running																												

12.2.4 CTIV

Bit number	31	30	29	28	27	26	25	24	23	22	21	20	19	18	17	16	15	14	13	12	11	10	9	8	7	6	5	4	3	2	1	0
ID (Field ID)	0	0	0	0	0	0	0	0	0	0	0	0	0	0	0	0	0	0	0	0	0	0	0	0	0	A	A	A	A	A	A	A
Reset value	0	0	0	0	0	0	0	0	0	0	0	0	0	0	0	0	0	0	0	0	0	0	0	0	0	0	0	0	0	0	0	0
ID	RW	Field	Value ID	Value	Description																											
A	RW				Calibration timer interval in multiples of 0.25 seconds. Range: 0.25 seconds to 31.75 seconds.																											

12.2.5 XTALFREQ

Bit number	31	30	29	28	27	26	25	24	23	22	21	20	19	18	17	16	15	14	13	12	11	10	9	8	7	6	5	4	3	2	1	0
ID (Field ID)	-	-	-	-	-	-	-	-	-	-	-	-	-	-	-	-	-	-	-	-	-	-	-	-	-	A	A	A	A	A	A	A
Reset value	1	1	1	1	1	1	1	1	1	1	1	1	1	1	1	1	1	1	1	1	1	1	1	1	1	1	1	1	1	1	1	
ID	RW	Field	Value ID	Value	Description																											
A	RW				Select nominal frequency of external crystal for HFCLK. This register has to match the actual crystal used in design to enable correct behavior.																											
				0xFF	16 MHz crystal is used.																											
				0x00	32 MHz crystal is used.																											

13 GPIO

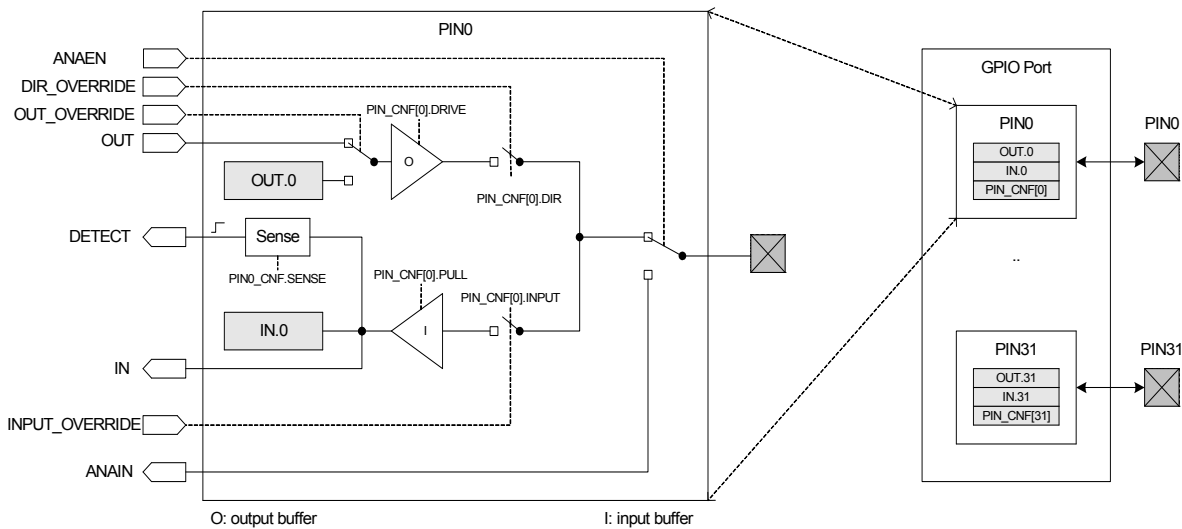


Figure 16 GPIO Port and the GPIO pin details

Figure 16 illustrates the GPIO port containing 32 individual pins, where **PIN0** is illustrated in more detail as a reference. All the signals on the left side of the illustration are used by other peripherals in the system, and therefore, are not directly available to the CPU.

13.1 Functional description

The GPIO Port peripheral implements up to 32 pins, **PIN0** through **PIN31**. Each of these pins can be individually configured in the `PIN_CN.F[n]` registers ($n=0..31$). The following parameters can be configured through these registers:

- Direction
- Drive strength
- Enabling of pull-up and pull-down resistors
- Pin sensing
- Input buffer disconnect
- Analog input (for selected pins)

The `PIN[n].CN.F` registers are retained registers. See **Chapter 11 “Power management (POWER)”** on page 40 for more information about retained registers.

Pins can be individually configured, through the pin sense mechanism, to detect either a high level or a low level on their input. When the correct level is detected, the sense mechanism raises the **DETECT** signal line, which can then be read by other peripherals in the system, see **Figure 16**. This mechanism is functional in both ON and OFF mode.

The input buffer of a GPIO pin can be disconnected from the pin to enable power savings when the pin is not used as an input, see **Figure 16**. Inputs must be connected in order to get a valid input value in the **IN** register and for the sense mechanism to get access to the pin.

Other peripherals in the system can attach themselves to GPIO pins and override their output value and configuration, or read their analog or digital input value, see **Figure 16**.

Selected PINs also support analog input signals, see ANAIN in *Figure 16* on page 58. Pins that support analog input signals vary between devices, see the product specification for your device for more details.

Pin direction can be configured both in the DIR register as well as through the individual PIN_CNF[n] registers. A change in one register will automatically be reflected in the other register.

13.2 Registers

Register	Offset	Description
REGISTERS		
OUT	0x504	Write GPIO port
OUTSET	0x508	Set individual bits in GPIO port
OUTCLR	0x50C	Clear individual bits in GPIO port
IN	0x510	Read GPIO port
DIR	0x514	Direction of GPIO pins
DIRSET	0x518	Setting DIR register
DIRCLR	0x51C	Clearing DIR register
PIN_CNF[0]	0x700	Configuration of pin 0
..
PIN_CNF[31]	0x77C	Configuration of pin 31

Table 14 Register overview

13.2.1 OUT

Bit number	31	30	29	28	27	26	25	24	23	22	21	20	19	18	17	16	15	14	13	12	11	10	9	8	7	6	5	4	3	2	1	0
ID (Field ID)	A	A	A	A	A	A	A	A	A	A	A	A	A	A	A	A	A	A	A	A	A	A	A	A	A	A	A	A	A	A	A	A
Reset value	0	0	0	0	0	0	0	0	0	0	0	0	0	0	0	0	0	0	0	0	0	0	0	0	0	0	0	0	0	0	0	0
ID	RW	Field	Value ID	Value	Description																											
A	RW				Register to write to the whole GPIO port. Bit position in register relates to pin number in GPIO port, e.g. bit 0 relates to GPIO pin number 0.																											

13.2.2 IN

Bit number	31	30	29	28	27	26	25	24	23	22	21	20	19	18	17	16	15	14	13	12	11	10	9	8	7	6	5	4	3	2	1	0
ID (Field ID)	A	A	A	A	A	A	A	A	A	A	A	A	A	A	A	A	A	A	A	A	A	A	A	A	A	A	A	A	A	A	A	
Reset value	0	0	0	0	0	0	0	0	0	0	0	0	0	0	0	0	0	0	0	0	0	0	0	0	0	0	0	0	0	0	0	0
ID	RW	Field	Value ID	Value	Description																											
A	R				Register to read the whole GPIO port. Bit position in register relates to pin number in GPIO port, e.g. bit 0 relates to GPIO pin number 0.																											

13.2.3 OUTSET

Bit number	31	30	29	28	27	26	25	24	23	22	21	20	19	18	17	16	15	14	13	12	11	10	9	8	7	6	5	4	3	2	1	0	
ID (Field ID)	A	A	A	A	A	A	A	A	A	A	A	A	A	A	A	A	A	A	A	A	A	A	A	A	A	A	A	A	A	A	A	A	A
Reset value	0	0	0	0	0	0	0	0	0	0	0	0	0	0	0	0	0	0	0	0	0	0	0	0	0	0	0	0	0	0	0	0	
ID	A																																
RW	RW																																
Field																																	
Value ID																																	
Value																																	
Description	Register to set pins in the GPIO port high ('1'). Bit position in register relates to pin number in GPIO port, e.g. bit 0 relates to GPIO pin number 0. Setting a '1' in one of the bits in the register will set the corresponding bit in the GPIO port high.																																

13.2.4 OUTCLR

Bit number	31	30	29	28	27	26	25	24	23	22	21	20	19	18	17	16	15	14	13	12	11	10	9	8	7	6	5	4	3	2	1	0
ID (Field ID)	A	A	A	A	A	A	A	A	A	A	A	A	A	A	A	A	A	A	A	A	A	A	A	A	A	A	A	A	A	A	A	A
Reset value	0	0	0	0	0	0	0	0	0	0	0	0	0	0	0	0	0	0	0	0	0	0	0	0	0	0	0	0	0	0	0	0
ID	A																															
RW	RW																															
Field																																
Value ID																																
Value																																
Description	Register to clear pins in the GPIO port low ('0'). Bit position in register relates to pin number in GPIO port, e.g. bit 0 relates to GPIO pin number 0. Setting a '1' in one of the bits in the register will set the corresponding bit in the GPIO port low.																															

13.2.5 DIR

Bit number	31	30	29	28	27	26	25	24	23	22	21	20	19	18	17	16	15	14	13	12	11	10	9	8	7	6	5	4	3	2	1	0
ID (Field ID)	A	A	A	A	A	A	A	A	A	A	A	A	A	A	A	A	A	A	A	A	A	A	A	A	A	A	A	A	A	A	A	A
Reset value	0	0	0	0	0	0	0	0	0	0	0	0	0	0	0	0	0	0	0	0	0	0	0	0	0	0	0	0	0	0	0	0
ID	A																															
RW	RW																															
Field																																
Value ID																																
Value																																
Description	Register to set direction of pins in the GPIO. Bit position in register relates to pin number in GPIO port, e.g. bit 0 relates to GPIO pin number 0. Setting a '1' in one of the bits in the register will configure the corresponding GPIO pin as an output pin. Setting the same bit to '0' will configure GPIO pin as an input.																															

13.2.6 DIRSET

Bit number	31	30	29	28	27	26	25	24	23	22	21	20	19	18	17	16	15	14	13	12	11	10	9	8	7	6	5	4	3	2	1	0
ID (Field ID)	A	A	A	A	A	A	A	A	A	A	A	A	A	A	A	A	A	A	A	A	A	A	A	A	A	A	A	A	A	A	A	A
Reset value	0	0	0	0	0	0	0	0	0	0	0	0	0	0	0	0	0	0	0	0	0	0	0	0	0	0	0	0	0	0	0	0
ID	A																															
RW	RW																															
Field																																
Value ID																																
Value																																
Description	Register to set individual bits in the DIR register, which subsequently sets individual GPIO pins as outputs. Setting a '1' in one or more bits in this register will set the corresponding bits in the DIR register.																															

13.2.7 DIRCLR

Bit number	31	30	29	28	27	26	25	24	23	22	21	20	19	18	17	16	15	14	13	12	11	10	9	8	7	6	5	4	3	2	1	0
ID (Field ID)	A	A	A	A	A	A	A	A	A	A	A	A	A	A	A	A	A	A	A	A	A	A	A	A	A	A	A	A	A	A	A	A
Reset value	0	0	0	0	0	0	0	0	0	0	0	0	0	0	0	0	0	0	0	0	0	0	0	0	0	0	0	0	0	0	0	
ID	RW	Field	Value ID	Value	Description																											
A	RW				Register to clear individual bits in the DIR register, which subsequently sets individual GPIO pins as input. Setting a '1' in one or more bits in this register will clear the corresponding bits in the DIR register.																											

13.2.8 PIN_CNF[n] (n=0..31)

Bit number	31	30	29	28	27	26	25	24	23	22	21	20	19	18	17	16	15	14	13	12	11	10	9	8	7	6	5	4	3	2	1	0
ID (Field ID)	-	-	-	-	-	-	-	-	-	-	-	-	-	-	E	E	-	-	-	-	-	D	D	D	-	-	-	-	C	C	B	A
Reset value	0	0	0	0	0	0	0	0	0	0	0	0	0	0	0	0	0	0	0	0	0	0	0	0	0	0	0	0	0	1	0	
ID	RW	Field	Value ID	Value	Description																											
A	RW	DIR			Pin direction																											
			INPUT	0	Configure pin as an input pin																											
			OUTPUT	1	Configure pin as an output pin																											
B	RW	INPUT			Connect or disconnect input buffer																											
			CONNECT	0	Connect input buffer																											
			DISCONNECT	1	Disconnect input buffer																											
C	RW	PULL																														
			DISABLED	0	No pull																											
			PULLDOWN	1	Pull down on pin																											
			PULLUP	3	Pull up on pin																											
D	RW	DRIVE																														
			S0S1	0	Standard 0, standard 1																											
			H0S1	1	High drive 0, standard 1																											
			S0H1	2	Standard 0, high drive 1																											
			H0H1	3	High drive 0, high drive 1																											
			D0S1	4	Disconnect 0, standard 1																											
			D0H1	5	Disconnect 0, high drive 1																											
			S0D1	6	Standard 0, disconnect 1																											
			H0D1	7	High drive 0, disconnect 1																											
E	RW	SENSE			Pin sensing mechanism																											
			DISABLED	0	Disabled																											
			HIGH	2	Sense for high level																											
			LOW	3	Sense for low level																											

14 GPIO tasks and events (GPIOTE)

14.1 Functional description

The GPIO Tasks and Events (GPIOTE) module provides functionality for accessing GPIO pins using tasks and events.

A task can be used for performing the following write operations to a pin:

- Set
- Clear
- Toggle

An event can be generated from any of the following input pins using the GPIO DETECT signal:

- Rising edge
- Falling edge
- Any change

14.1.1 Pin events and tasks

The GPIOTE module has a number of tasks and events that can be configured to operate on individual GPIO pins; the OUT[n] tasks and the IN[n] events. The tasks can be used for writing to individual pins, and the events can be generated from changes occurring at the inputs of individual pins.

The tasks and events are configured using the CONFIG[n] registers. Every pair of OUT[n] tasks and IN[n] events has one CONFIG[n] register associated with it.

When an OUT[n] task or an IN[n] event has been configured to operate on a pin, **the pin can only be written from the GPIOTE module**. Attempting to write a pin as a normal GPIO pin will have **no effect**.

As long as an OUT[n] task or an IN[n] event is configured to control a pin **n**, the pin's output value will only be updated by the GPIOTE module. The pin's output value as specified in the GPIO will therefore be ignored as long as the pin is controlled by GPIOTE. When the GPIOTE is disconnected from a pin, see MODE field in CONFIG[n] register, the associated pin will get the output and configuration values specified in the GPIO module.

When a GPIOTE channel is configured to operate on a pin as a task, the initial value of that pin is configured in the OUTINIT field of CONFIG[n].

14.1.2 **Port event**

PORT is an event that can be generated from multiple input pins using the GPIO DETECT signal. The event will be generated on the rising edge of the DETECT signal. See **Section 13.1 "Functional description"** on page 58 for more information about the DETECT signal.

This feature is always enabled although the peripheral itself appears to be IDLE, that is, no clocks or other power intensive infrastructure have to be requested to keep this feature enabled. **This feature can therefore be used to wake-up the CPU from a WFI or WFE type sleep in System ON** with all peripherals and the CPU idle, that is, **lowest power consumption in System ON mode**.

14.2 Registers

Registers	Offset	Description
TASKS		
OUT[0]	0x000	Task for writing to pin specified by PSEL in CONFIG[0].
OUT[1]	0x004	Task for writing to pin specified by PSEL in CONFIG[1].
OUT[2]	0x008	Task for writing to pin specified by PSEL in CONFIG[2].
OUT[3]	0x00C	Task for writing to pin specified by PSEL in CONFIG[3].
EVENTS		
IN[0]	0x100	Event generated from pin specified by PSEL in CONFIG[0].
IN[1]	0x104	Event generated from pin specified by PSEL in CONFIG[1].
IN[2]	0x108	Event generated from pin specified by PSEL in CONFIG[2].
IN[3]	0x10C	Event generated from pin specified by PSEL in CONFIG[3].
PORT	0x17C	Event generate from multiple input pins.
REGISTERS		
INTENSET	0x304	Interrupt enable set register.
INTENCLR	0x308	Interrupt enable clear register.
CONFIG[0]	0x510	Configuration for OUT[0] task and IN[0] event.
CONFIG[1]	0x514	Configuration for OUT[1] task and IN[1] event.
CONFIG[2]	0x518	Configuration for OUT[2] task and IN[2] event.
CONFIG[3]	0x51C	Configuration for OUT[3] task and IN[3] event.

Table 15 Register overview

14.2.1 CONFIG[n] (n=0..3)

Bit number	31	30	29	28	27	26	25	24	23	22	21	20	19	18	17	16	15	14	13	12	11	10	9	8	7	6	5	4	3	2	1	0
ID (Field ID)	-	-	-	-	-	-	-	-	-	-	D	-	-	C	C	-	-	-	B	B	B	B	B	-	-	-	-	-	-	-	A	A
Reset value	0	0	0	0	0	0	0	0	0	0	0	0	0	0	0	0	0	0	0	0	0	0	0	0	0	0	0	0	0	0	0	0
ID	RW	Field	Value ID	Value	Description																											
A	RW	MODE			Mode																											
			DISABLED	0	Disabled. Pin specified by PSEL will not be acquired by the GPIOTE module.																											
			EVENT	1	Event mode. The pin specified by PSEL will be configured as an input and the IN[n] event will be generated if operation specified in POLARITY occurs on the pin.																											
			TASK	3	Task mode. The pin specified by PSEL will be configured as an output and triggering the OUT[n] task will perform the operation specified by POLARITY on the pin. When enabled as a task the GPIOTE module will acquire the pin and the pin can no longer be written as a regular output pin from the GPIO module.																											
B	RW	PSEL		[0..31]	Pin number associated with OUT[n] task and IN[n] event.																											
C	RW	POLARITY			When in task mode: Operation to be performed on output when OUT[n] task is triggered. When In event mode: Operation on input that shall trigger IN[n] event.																											
			LOTOHI	1	Task mode: Set pin from OUT[n] task. Event mode: Generate IN[n] event when rising edge on pin.																											
			HITOLO	2	Task mode: Clear pin from OUT[n] task. Event mode: Generate IN[n] event when falling edge on pin.																											
			TOGGLE	3	Task mode: Toggle pin from OUT[n]. Event mode: Generate IN[n] when any change on pin.																											
D	RW	OUTINIT			When in task mode: Initial value of the output when the GPIOTE channel is configured. When in event mode: No effect.																											
			LOW	0	Task mode: Initial value of pin before task triggering is low.																											
			HIGH	1	Task mode: Initial value of pin before task triggering is high.																											

15 Programmable Peripheral Interconnect (PPI)

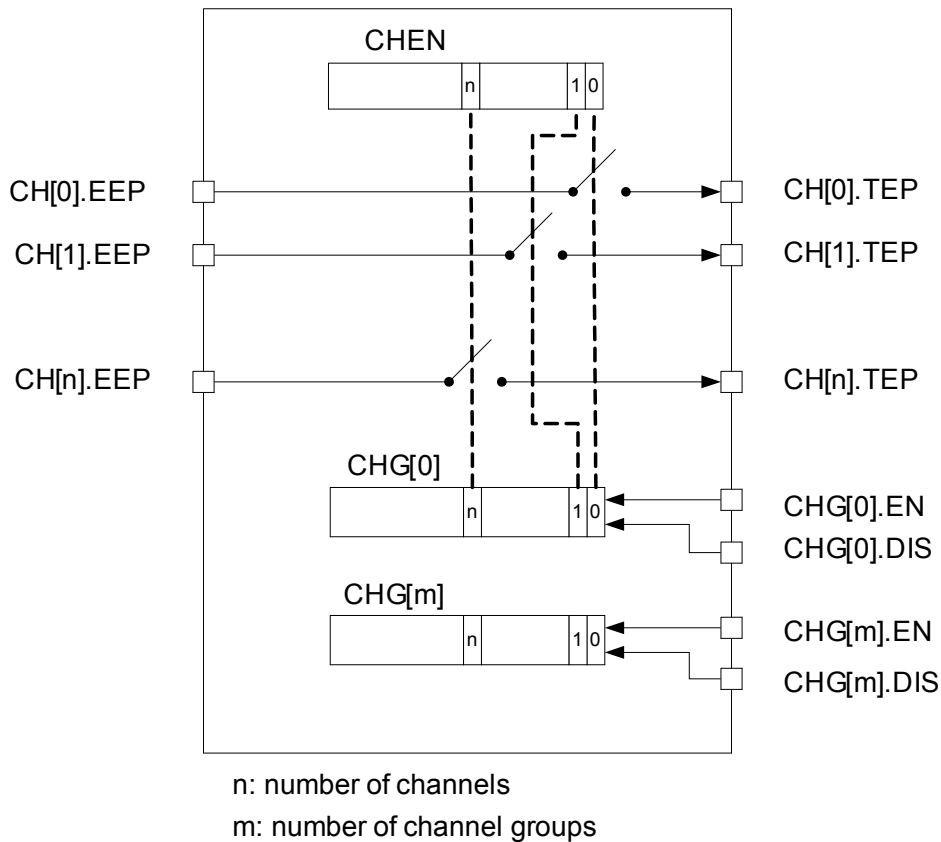


Figure 17 PPI block diagram

15.1 Functional description

The Programmable Peripheral Interconnect (PPI) enables peripherals to interact autonomously with each other using tasks and events independent of the CPU.

The PPI provides a mechanism to automatically trigger a task in one peripheral as a result of an event occurring in another peripheral. A task is connected to an event through a PPI channel. The PPI channel is composed of two end-point registers, the Event End-Point (EEP) and the Task End-Point (TEP). A peripheral task is connected to a Task End-Point using the address of the task register associated with the task. Similarly, a peripheral event is connected to an Event End-Point using the address of the event register associated with the event.

There are two ways of enabling and disabling PPI channels:

- Enable or disable PPI channels individually using the CHEN, CHENSET, and CHENCLR registers.
- Enable or disable PPI channels in PPI channel Groups through the Groups' ENABLE and DISABLE tasks. Prior to these tasks being triggered, the PPI channel Group must be configured to define which PPI channels belongs to which groups.

PPI tasks (for example, CHG0EN) can be triggered through the PPI like any other task, which means they can be hooked up to a PPI channel as a TEP. One event can trigger multiple tasks by using multiple channels and one task can be triggered by multiple events in the same way.

15.1.1 Pre-programmed channels

The PPI system has in addition to the fully programmable peripheral interconnections, a set of channels where the event (EEP) and task (TEP) endpoints are set in hardware. These fixed channels can be individually enabled, disabled, or added to PPI channel groups in the same way as ordinary PPI channels.

Channel	EEP	TEP
20	TIMER0->EVENTS_COMPARE[0]	RADIO->TASKS_TXEN
21	TIMER0->EVENTS_COMPARE[0]	RADIO->TASKS_RXEN
22	TIMER0->EVENTS_COMPARE[1]	RADIO->TASKS_DISABLE
23	RADIO->EVENTS_BCMATCH	AAR->TASKS_START
24	RADIO->EVENTS_READY	CCM->TASKS_KSGEN
25	RADIO->EVENTS_ADDRESS	CCM->TASKS_CRYPT
26	RADIO->EVENTS_ADDRESS	TIMER0->TASKS_CAPTURE[1]
27	RADIO->EVENTS_END	TIMER0->TASKS_CAPTURE[2]
28	RTC0->COMPARE[0]	RADIO-> TASKS_TXEN
29	RTC0->COMPARE[0]	RADIO-> TASKS_RXEN
30	RTC0->COMPARE[0]	TIMER0->TASKS_CLEAR
31	RTC0->COMPARE[0]	TIMER0->TASKS_START

Table 16 Pre-programmed channels

15.2 Registers

Register	Offset	Description
TASKS		
CHG[0].EN	0x000	Enable channel group 0
CHG[0].DIS	0x004	Disable channel group 0
CHG[1].EN	0x008	Enable channel group 1
CHG[1].DIS	0x00C	Disable channel group 1
CHG[2].EN	0x010	Enable channel group 2
CHG[2].DIS	0x014	Disable channel group 2
CHG[3].EN	0x018	Enable channel group 3
CHG[3].DIS	0x01C	Disable channel group 3
REGISTERS		
CHEN	0x500	Channel enable
CHENSET	0x504	Channel enable set
CHENCLR	0x508	Channel enable clear
CH[0].EEP	0x510	Channel 0 event endpoint
CH[0].TEP	0x514	Channel 0 task endpoint

Register	Offset	Description
CH[1].EEP	0x518	Channel 1 event endpoint
CH[1].TEP	0x51C	Channel 1 task endpoint
CH[2].EEP	0x520	Channel 2 event endpoint
CH[2].TEP	0x524	Channel 2 task endpoint
CH[3].EEP	0x528	Channel 3 event endpoint
CH[3].TEP	0x52C	Channel 3 task endpoint
CH[4].EEP	0x530	Channel 4 event endpoint
CH[4].TEP	0x534	Channel 4 task endpoint
CH[5].EEP	0x538	Channel 5 event endpoint
CH[5].TEP	0x53C	Channel 5 task endpoint
CH[6].EEP	0x540	Channel 6 event endpoint
CH[6].TEP	0x544	Channel 6 task endpoint
CH[7].EEP	0x548	Channel 7 event endpoint
CH[7].TEP	0x54C	Channel 7 task endpoint
CH[8].EEP	0x550	Channel 8 event endpoint
CH[8].TEP	0x554	Channel 8 task endpoint
CH[9].EEP	0x558	Channel 9 event endpoint
CH[9].TEP	0x55C	Channel 9 task endpoint
CH[10].EEP	0x560	Channel 10 event endpoint
CH[10].TEP	0x564	Channel 10 task endpoint
CH[11].EEP	0x568	Channel 11 event endpoint
CH[11].TEP	0x56C	Channel 11 task endpoint
CH[12].EEP	0x570	Channel 12 event endpoint
CH[12].TEP	0x574	Channel 12 task endpoint
CH[13].EEP	0x578	Channel 13 event endpoint
CH[13].TEP	0x57C	Channel 13 task endpoint
CH[14].EEP	0x580	Channel 14 event endpoint
CH[14].TEP	0x584	Channel 14 task endpoint
CH[15].EEP	0x588	Channel 15 event endpoint
CH[15].TEP	0x58C	Channel 15 task endpoint
CHG[0]	0x800	Channel group 0
CHG[1]	0x804	Channel group 1
CHG[2]	0x808	Channel group 2
CHG[3]	0x80C	Channel group 3

15.2.1 CHEN

Bit number	31	30	29	28	27	26	25	24	23	22	21	20	19	18	17	16	15	14	13	12	11	10	9	8	7	6	5	4	3	2	1	0						
ID (Field ID)	FF		EE		DD		CC		BB		AA		Z	Y	X	W	V	U	-	-	-	-	P	O	N	M	L	K	J	I	H	G	F	E	D	C	B	A
Reset value	0																																					
ID	RW	Field	Value ID	Value	Description																																	
A	R W	CH0			Enable or disable channel 0																																	
			0		Disable																																	
			1		Enable																																	
B	..	CH1																																		
C	..	CH2																																		
D	..	CH3																																		
E	..	CH4																																		
F	..	CH5																																		
G	..	CH6																																		
H	..	CH7																																		
I	..	CH8																																		
J	..	CH9																																		
K	..	CH10																																		
L	..	CH11																																		
M	..	CH12																																		
N	..	CH13																																		
O	..	CH14																																		
P	..	CH15																																		
U	..	CH20																																		
V	..	CH21																																		
W	..	CH22																																		
X	..	CH23																																		
Y	..	CH24																																		
Z	..	CH25																																		
AA	..	CH26																																		
BB		CH27																																		
CC		CH28																																		
DD		CH29																																		
EE		CH30																																		
FF		CH31																																		

15.2.2 CHENSET

Bit number	31	30	29	28	27	26	25	24	23	22	21	20	19	18	17	16	15	14	13	12	11	10	9	8	7	6	5	4	3	2	1	0
ID (Field ID)	FF	EE	DD	CC	BB	AA	Z	Y	X	W	V	U	-	-	-	-	P	O	N	M	L	K	J	I	H	G	F	E	D	C	B	A
Reset value	0	0	0	0	0	0	0	0	0	0	0	0	0	0	0	0	0	0	0	0	0	0	0	0	0	0	0	0	0	0	0	0
ID	RW	Field	Value ID	Value	Description																											
A		CH0			Enable channel 0																											
	W			1	Enable																											
	R		CHEN.CH0		Read value of CH0 field in CHEN register																											
B	..	CH1																												
C	..	CH2																												
D	..	CH3																												
E	..	CH4																												
F	..	CH5																												
G	..	CH6																												
H	..	CH7																												
I	..	CH8																												
J	..	CH9																												
K	..	CH10																												
L	..	CH11																												
M	..	CH12																												
N	..	CH13																												
O	..	CH14																												
P	..	CH15																												
U	..	CH20																												
V	..	CH21																												
W	..	CH22																												
X	..	CH23																												
Y	..	CH24																												
Z	..	CH25																												
AA	..	CH26																												
BB	..	CH27																												
CC	..	CH28																												
DD	..	CH29																												
EE	..	CH30																												
FF	..	CH31																												

15.2.3 CHENCLR

Bit number	31	30	29	28	27	26	25	24	23	22	21	20	19	18	17	16	15	14	13	12	11	10	9	8	7	6	5	4	3	2	1	0
ID (Field ID)	FF	EE	DD	CC	BB	AA	Z	Y	X	W	V	U	-	-	-	-	P	O	N	M	L	K	J	I	H	G	F	E	D	C	B	A
Reset value	0	0	0	0	0	0	0	0	0	0	0	0	0	0	0	0	0	0	0	0	0	0	0	0	0	0	0	0	0	0	0	0
ID	RW	Field	Value ID	Value	Description																											
A		CH0			Enable channel 0																											
	W			1	Enable																											
	R		CHEN.CH0		Read value of CH0 field in CHEN register																											
B	..	CH1																											
C	..	CH2																											
D	..	CH3																											
E	..	CH4																											
F	..	CH5																											
G	..	CH6																											
H	..	CH7																											
I	..	CH8																											
J	..	CH9																											
K	..	CH10																											
L	..	CH11																											
M	..	CH12																											
N	..	CH13																											
O	..	CH14																											
P	..	CH15																											
U	..	CH20																											
V	..	CH21																											
W	..	CH22																											
X	..	CH23																											
Y	..	CH24																											
Z	..	CH25																											
AA	..	CH26																											
BB	..	CH27																											
CC	..	CH28																											
DD	..	CH29																											
EE	..	CH30																											
FF	..	CH31																											

15.2.4 CH[n].EEP (n=0..15)

Event endpoints are only able to recognize addresses from the EVENT group.

Bit number	31	30	29	28	27	26	25	24	23	22	21	20	19	18	17	16	15	14	13	12	11	10	9	8	7	6	5	4	3	2	1	0	
ID (Field ID)	A	A	A	A	A	A	A	A	A	A	A	A	A	A	A	A	A	A	A	A	A	A	A	A	A	A	A	A	A	A	A	A	A
Reset value	0	0	0	0	0	0	0	0	0	0	0	0	0	0	0	0	0	0	0	0	0	0	0	0	0	0	0	0	0	0	0	0	
ID	RW	Field	Value ID	Value	Description																												
A	RW				Pointer to event register. Accepts only addresses to registers from the Event group.																												

15.2.5 CH[n].TEP (n=0..15)

Task endpoints are only able to recognize addresses from the TASK group.

Bit number	31	30	29	28	27	26	25	24	23	22	21	20	19	18	17	16	15	14	13	12	11	10	9	8	7	6	5	4	3	2	1	0
ID (Field ID)	A	A	A	A	A	A	A	A	A	A	A	A	A	A	A	A	A	A	A	A	A	A	A	A	A	A	A	A	A	A	A	A
Reset value	0	0	0	0	0	0	0	0	0	0	0	0	0	0	0	0	0	0	0	0	0	0	0	0	0	0	0	0	0	0	0	0
ID	RW	Field	Value ID	Value	Description																											
A	RW				Pointer to task register. Accepts only addresses to registers from the Task group.																											

15.2.6 CHG[n] (n=0..3)

Bit number	31	30	29	28	27	26	25	24	23	22	21	20	19	18	17	16	15	14	13	12	11	10	9	8	7	6	5	4	3	2	1	0
ID (Field ID)	FF	EE	DD	CC	BB	AA	Z	Y	X	W	V	U	-	-	-	-	P	O	N	M	L	K	J	I	H	G	F	E	D	C	B	A
Reset value	0	0	0	0	0	0	0	0	0	0	0	0	0	0	0	0	0	0	0	0	0	0	0	0	0	0	0	0	0	0	0	
ID	RW	Field	Value ID	Value	Description																											
A	RW	CH0			Include or exclude channel 0 in group n																											
				0	Exclude																											
				1	Include																											
B	RW	CH1																											
C	RW	CH2																											
D	RW	CH3																											
E	RW	CH4																											
F	RW	CH5																											
G	RW	CH6																											
H	RW	CH7																											
I	RW	CH8																											
J	RW	CH9																											
K	RW	CH10																											
L	RW	CH11																											
M	RW	CH12																											
N	RW	CH13																											
O	RW	CH14																											
P	RW	CH15																											
U	RW	CH20																											
V	RW	CH21																											
W	RW	CH22																											
X	RW	CH23																											
Y	RW	CH24																											
Z	RW	CH25																											
AA	RW	CH26																											
BB	RW	CH27																											
CC	RW	CH28																											
DD	RW	CH29																											
EE	RW	CH30																											
FF	RW	CH31																											

16 2.4 GHz radio (RADIO)

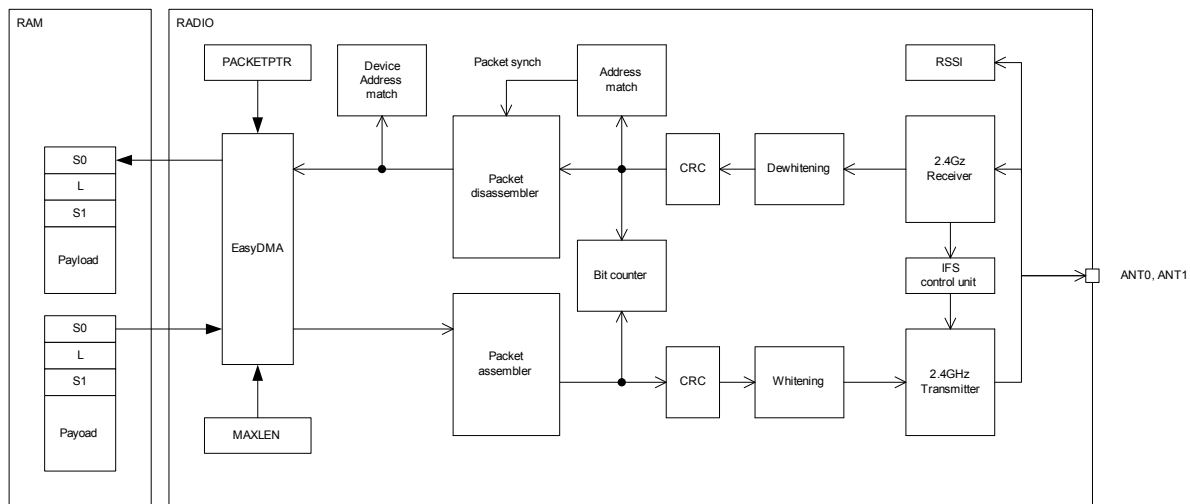


Figure 18 Radio block diagram

The RADIO contains a 2.4 GHz radio receiver and a 2.4 GHz radio transmitter that is compatible with Nordic's proprietary 2 Mbps, 1 Mbps, and 250 kbps radio modes in addition to 1 Mbps *Bluetooth* Low Energy mode.

The RADIO implements EasyDMA. EasyDMA in combination with an automated packet assembler and packet disassembler, and an automated CRC generator and CRC checker, makes it very easy to configure and use the RADIO. See *Figure 18* for more information.

The RADIO includes a Device Address Match unit and an interframe spacing control unit that can be utilized to simplify address white listing and interframe spacing respectively, in *Bluetooth* Low Energy and similar applications.

The RADIO also includes a Received Signal Strength Indicator (RSSI) and a bit counter. The bit counter generates events when a preconfigured number of bits have been sent or received by the RADIO.

16.1 Functional description

16.1.1 EasyDMA

The RADIO implements EasyDMA for reading and writing of data packets from and to the RAM without CPU involvement.

As illustrated in *Figure 18*, the RADIO's EasyDMA utilizes the same PACKETPTR pointer for receiving packets and transmitting packets. The CPU should therefore reconfigure this pointer every time the radio is switched between transmit and receive mode. The MAXLEN register configures the maximum number of bytes that can be transmitted or received by the RADIO within the same packet. This feature can be used to ensure that the RADIO does not overwrite, or read beyond, the RAM assigned to the packet.

The EasyDMA is guaranteed to have finished accessing the RAM when the DISABLED event is generated.

16.1.2 Packet configuration

A radio packet contains the following fields: PREAMBLE, ADDRESS, LENGTH, S0, S1, PAYLOAD, and CRC. The radio sends the different fields in the packet in the order they are shown in **Figure 19**, from left to right. The preamble will be sent least significant bit first on-air.

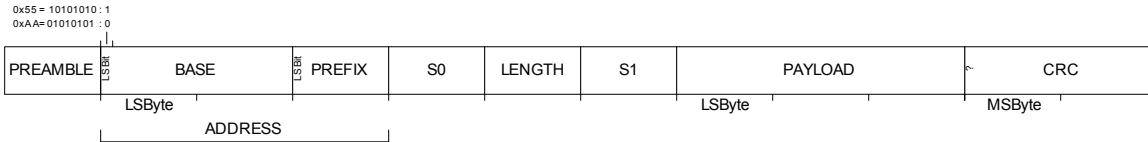


Figure 19 On-air packet layout

The PREAMBLE is always one byte long taking the value 0xAA or 0x55 depending on the first ADDRESS bit that is sent on air. If the first bit of the ADDRESS is 0 the preamble is set to 0xAA. Otherwise, the PREAMBLE is set to 0x55.

Radio packets are stored in memory inside instances of a radio packet data structure as shown in **Figure 20**. The PREAMBLE, ADDRESS and CRC fields are omitted in this data structure since they are added dynamically when the packet is sent.

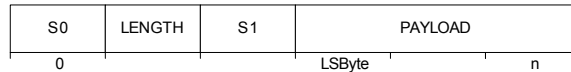


Figure 20 In-RAM representation of radio packet, S0, LENGTH, and S1 are optional

The byte ordering on air is always least significant byte first for the ADDRESS and PAYLOAD fields and most significant byte first for the CRC field. The ADDRESS fields are always transmitted and received with least significant bit first on-air. The CRC field is always transmitted and received with the most significant bit first. The bit-endianness (which means the order the bits are sent and received in) of the S0, LENGTH, S1, and PAYLOAD fields can be configured through the ENDIAN field in PCNF1.

The sizes of the S0, LENGTH, and S1 fields can be individually configured through S0S, LS, and S1S in PCNF0 respectively. If any of these fields are configured to be less than 8 bits long, the least significant bits of the fields, as seen from the RAM representation, are used.

If S0, LENGTH, or S1 are specified with zero length, their fields will be omitted in memory. Otherwise, each field is represented as a separate byte, regardless of the number of bits in their on-air counterpart.

16.1.3 Maximum packet length

Independent of the configuration of MAXLEN, the combined length of S0, LENGTH, S1, and PAYLOAD cannot exceed 255 bytes.

16.1.4 Address configuration

The on-air radio ADDRESS field is composed of two parts: the base address field and the address prefix field, see **Figure 19**. The size of the base address field is configurable through BALEN in PCNF1. The base address is truncated from LSByte if the BALEN is less than 4.

The on-air addresses are defined in the BASE_n and PREFIX_n registers. For other radio address registers such as the TXADDRESS, RXADDRESSES and RXMATCH registers, logical radio addresses ranging from 0 to 7 are being used. The relationship between the on-air radio addresses and the logical addresses are described in *Table 17*.

Logical address	Base address	Prefix byte
0	BASE0	PREFIX0.AP0
1	BASE1	PREFIX0.AP1
2	BASE1	PREFIX0.AP2
3	BASE1	PREFIX0.AP3
4	BASE1	PREFIX1.AP4
5	BASE1	PREFIX1.AP5
6	BASE1	PREFIX1.AP6
7	BASE1	PREFIX1.AP7

Table 17 Definition of logical addresses

16.1.5 Received Signal Strength Indicator (RSSI)

The radio implements a mechanism for measuring the power in the received radio signal. This feature is called Received Signal Strength Indicator (RSSI).

Sampling of the received signal strength is started by using the RSSI_{START} task. The sample can be read from the RSSI_{SAMPLE} register.

The sample period of the RSSI is defined by RSSI_{RESOLUTION}, see the device specific product specification for details. The RSSI sample will hold the average received signal strength during this sample period.

For the RSSI sample to be valid the radio has to be enabled in receive mode (RXEN task) and the reception has to be started (READY event followed by START task).

16.1.6 Data whitening

The RADIO is able to do packet whitening and de-whitening, see WHITEEN in PCNF1 register for how to enable whitening. When enabled, whitening and de-whitening are handled by the RADIO automatically as packets are sent and received, that is, radio packets located in RAM will not be whitened.

The whitening word is generated using polynomial $g(D) = D^7 + D^4 + 1$, which then is XORed with the data packet that is to be whitened, or de-whitened, see *Figure 21*.

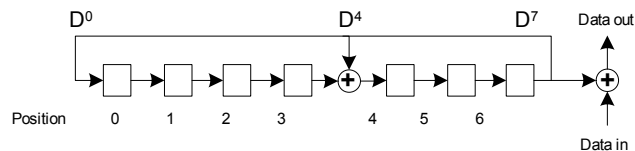


Figure 21 Data whitening and de-whitening.

Whitening and de-whitening will be performed over the whole packet, except for the preamble and the address field.

The linear feedback shift register, illustrated in **Figure 21** on page 75 can be initialized through the DATAWHITEIV register.

16.1.7 CRC

The CRC generator in the RADIO calculates the CRC over the whole packet excluding the preamble. If desirable the address field can be excluded from the CRC calculation as well, see CRCCNF register for more information.

The CRC polynomial is configurable as illustrated in **Figure 22** where bit 0 in the CRCPOLY register corresponds to X^0 and bit 1 corresponds to X^1 etc. See CRCPOLY for more information.

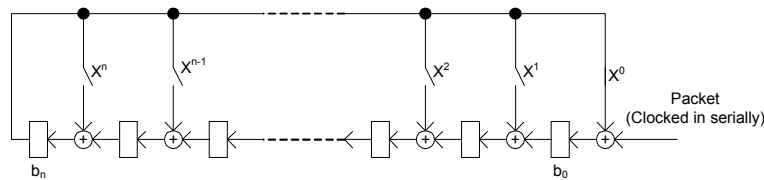


Figure 22 CRC generator for an n bit CRC

As illustrated in **Figure 17** on page 65, the CRC is calculated by feeding the packet serially through the CRC generator. Before the packet is clocked through the CRC generator, the CRC generator's latches b_0 through b_n will be initialized with a predefined value specified in the CRCINIT register. When the whole packet is clocked through the CRC generator, latches b_0 through b_n will hold the resulting CRC. This value will be used by the RADIO during both transmission and reception but it is not available to be read by the CPU at any time. A received CRC can however be read by the CPU through the RXCRC register independent of whether or not it has passed the CRC check.

The length (n) of the CRC is configurable, see CRCCNF for more information.

16.1.8 Radio states

The radio can enter the states described in **Table 18**.

State	Description
DISABLED	No operations are going on inside the radio and the power consumption is at a minimum.
RXRU	The radio is ramping up and preparing for reception.
RXIDLE	The radio is ready for reception to start.
RX	Reception has been started and the addresses enabled in the RXADDRESSES register are being monitored.
TXRU	The radio is ramping up and preparing for transmission.
TXIDLE	The radio is ready for transmission to start.
TX	The radio is transmitting a packet.

Table 18 Radio states

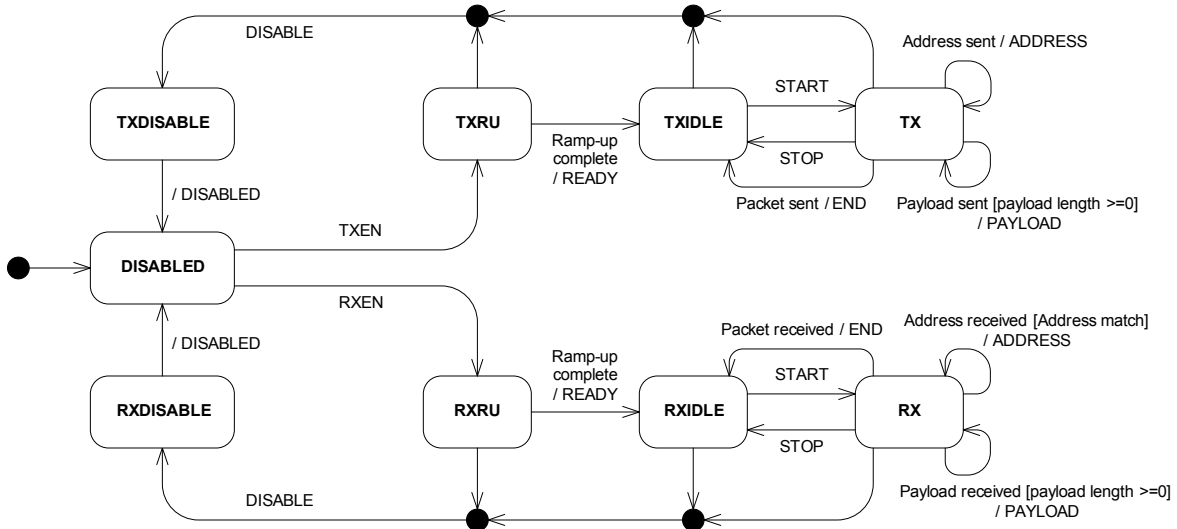


Figure 23 Radio state diagram

16.1.9 Maximum consecutive transmission time

Maximum consecutive transmission time is defined as the longest time the RADIO can be active transmitting before it has to be disabled, that is, the longest possible time between READY event and DISABLE task.

Maximum consecutive transmission time for the RADIO is 4 ms running off a 60 ppm crystal and 16 ms running off a 30 ppm crystal.

16.1.10 Transmit sequence

Before the RADIO is able to transmit a packet, it must first ramp-up in TX mode, see TXRU in *Figure 23* on page 77 and *Figure 24*. A TXRU ramp-up sequence is initiated when the TXEN task is triggered. After the radio has successfully ramped up it will generate the READY event indicating that a packet transmission can be initiated. A packet transmission is initiated by triggering the START task. As illustrated in *Figure 23* on page 77 the START task can first be triggered after the RADIO has entered into the TXIDLE state.

Figure 24 illustrates a single packet transmission where the CPU manually triggers the different tasks needed to control the flow of the RADIO, that is, no shortcuts are used. If shortcuts are not used, a certain amount of delay caused by CPU execution is expected between READY and START, and between END and DISABLE. As illustrated in *Figure 23* on page 77 the RADIO will by default transmit '1's between READY and START and between END and DISABLE.

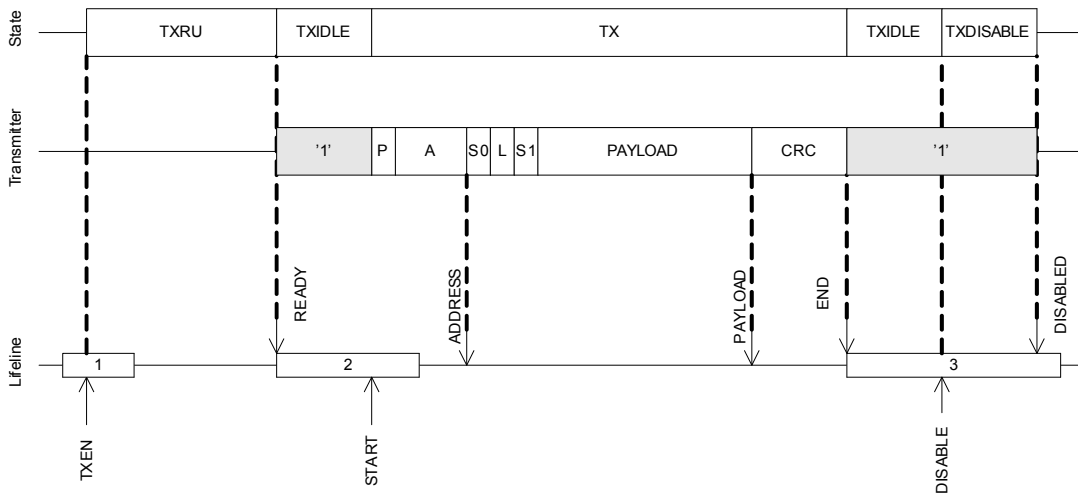


Figure 24 Transmit sequence

A slightly modified version of the transmit sequence from *Figure 24* is illustrated in *Figure 25* where the RADIO is configured to use shortcuts between READY and START, and between END and DISABLE, and therefore no delay is introduced.

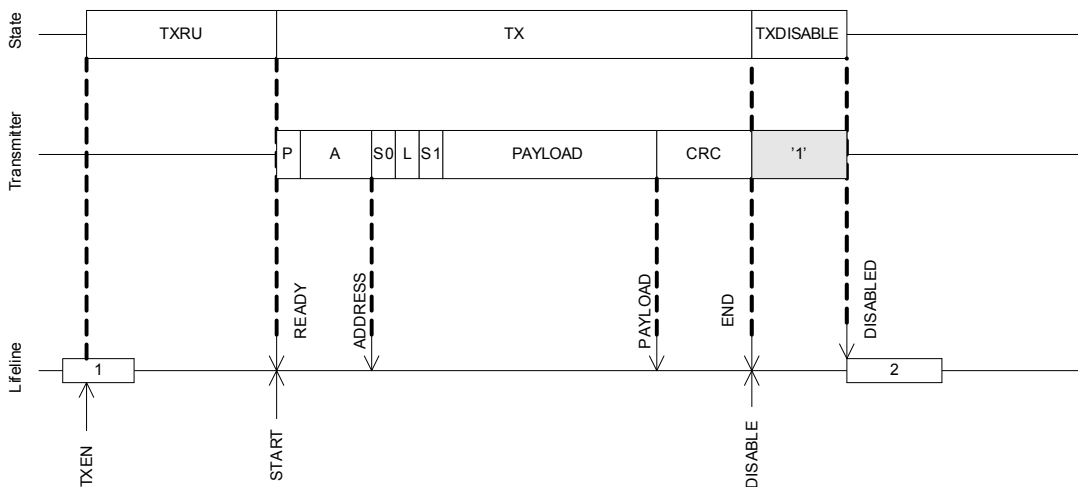


Figure 25 Transmit sequence using shortcuts to avoid delays.

The RADIO is able to send multiple packets one after the other without having to disable and re-enable the RADIO between packets, this is illustrated in **Figure 26**.

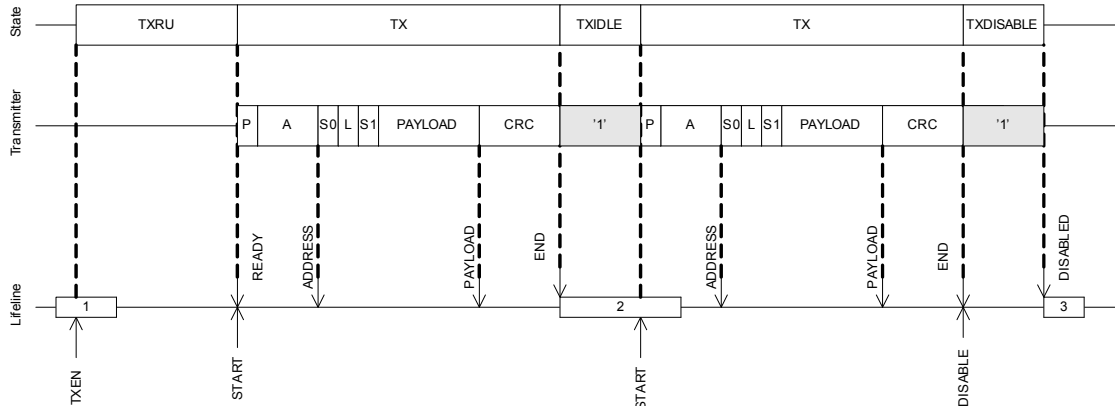


Figure 26 Transmission of multiple packets

16.1.11 Receive sequence

Before the RADIO is able to receive a packet, it must first ramp-up in RX mode. An RXRU ramp-up sequence is initiated when the RXEN task is triggered. After the radio has successfully ramped up it will generate the READY event indicating that a packet reception can be initiated. A packet reception is initiated by triggering the START task. As illustrated in **Figure 27** the START task can first be triggered after the RADIO has entered into the RXIDLE state.

Figure 28 on page 80 illustrates a single packet reception where the CPU manually triggers the different tasks needed to control the flow of the RADIO, that is, no shortcuts are used. If shortcuts are not used, a certain amount of delay, caused by CPU execution, is expected between READY and START, and between END and DISABLE. As illustrated in **Figure 28** on page 80 the RADIO will be listening and possibly receiving undefined data, illustrated with an 'X', from START and until a packet with valid preamble (P) is received.

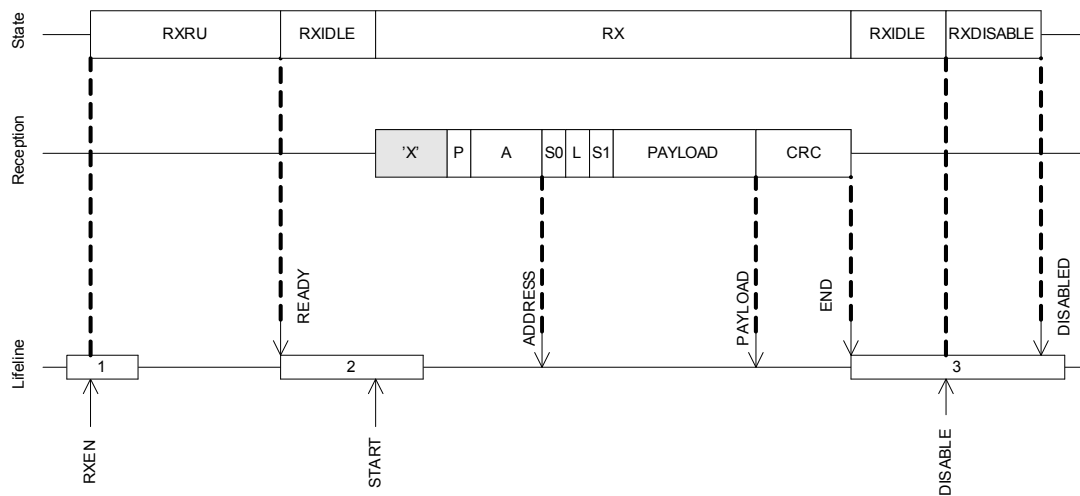


Figure 27 Receive sequence

A slightly modified version of the receive sequence from **Figure 27** is illustrated in **Figure 28** on page 80 where the RADIO is configured to use shortcuts between READY and START, and between END and DISABLE, and therefore no delay is introduced.

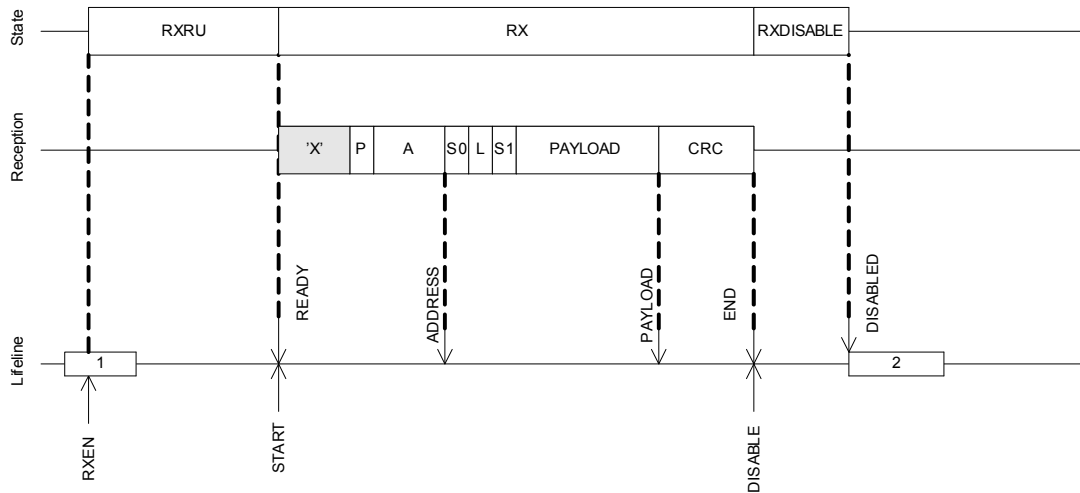


Figure 28 Receive sequence using shortcuts to avoid delays

The RADIO is able to receive multiple packets one after the other without having to disable and re-enable the RADIO between packets, this is illustrated **Figure 29**.

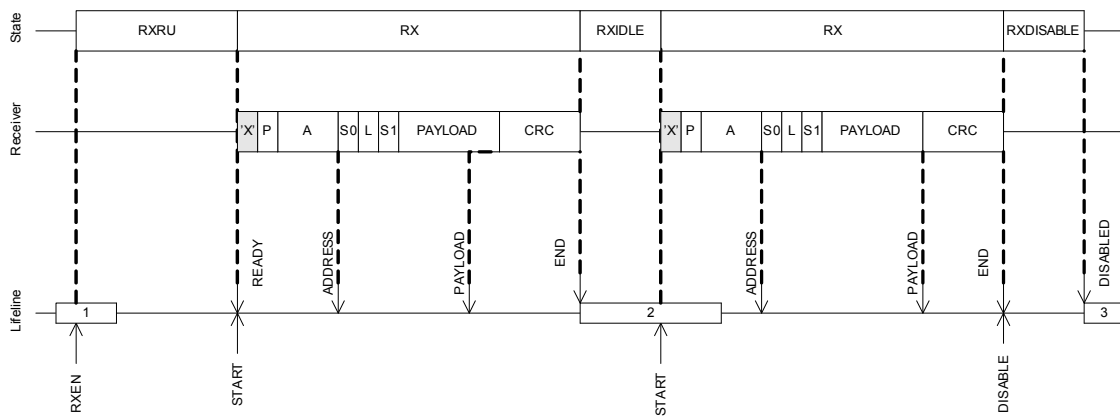


Figure 29 Reception of multiple packets

16.1.12 Interframe spacing

Interframe spacing is the time interval between two consecutive packets. It is defined as the time, in micro seconds, from the end of the last bit of the previous packet received and to the start of the first bit of the subsequent packet that is transmitted. The RADIO is able to enforce this interval as specified in the TIFS register as long as TIFS is not specified to be shorter than the RADIO's startup time (see the radio timing parameters t_{TXEN} and t_{RXEN} in the product specification for details), that is, the time needed to switch off the receiver, and switch back on the transmitter. TIFS is only enforced if END_DISABLE and DISABLED_TXEN shortcuts are enabled. TIFS is only qualified for use in BLE_1MBIT mode.

16.1.13 Device address match

The device address match feature is tailored for address white listing in a *Bluetooth* low energy and similar implementations. This feature enables on-the-fly device address matching while receiving a packet on air. This feature only works in receive mode and as long as RADIO is configured for little endian.

The Device Address match unit assumes that the 48 first bits of the payload is the device address and that bit number 6 in S0 is the TxAdd bit. See the *Bluetooth* specification 4.0 for more information about device addresses, TxAdd, and whitelisting.

The RADIO is able to listen for 8 different device addresses at the same time. These addresses are specified in a DAB/DAP register pair, one pair per address, in addition to a TxAdd bit configured in the DACNF register. The DAB register specifies the 32 least significant bits of the device address, while the DAP register specifies the 16 most significant bits of the device address.

Each of the device addresses can be individually included or excluded from the matching mechanism. This is configured in the DACNF register.

16.1.14 Bit counter

The RADIO implements a simple counter that can be configured to generate an event after a specific number of bits have been transmitted or received. By using shortcuts, this counter can be started from different events generated by the RADIO and then count relative to these events.

The bit counter can only be started after the RADIO has received the ADDRESS event.

The bit counter starts counting after it is started with the BCSTART task, and stopped by triggering the BCSTOP task. A BCMATCH event will be generated when the bit counter has counted the number of bits specified in the BCC register. The bit counter will continue to count bits until the DISABLED event is generated or until the BCSTOP task is triggered. The CPU can therefore, after a BCMATCH event, reconfigure the BCC value for new BCMATCH events within the same packet.

The bit counter will stop and reset on BCSTOP, STOP, and DISABLE tasks. The bit counter is also stopped and reset on END event unless the END_START shortcut is enabled.

Figure 30 illustrates how the bit counter can be used to generate a BCMATCH event in the beginning of the packet payload (BCC=12 bits), and generate a second BCMATCH event after sending 2 bytes (BCC=12 + 16 bits) of the payload.

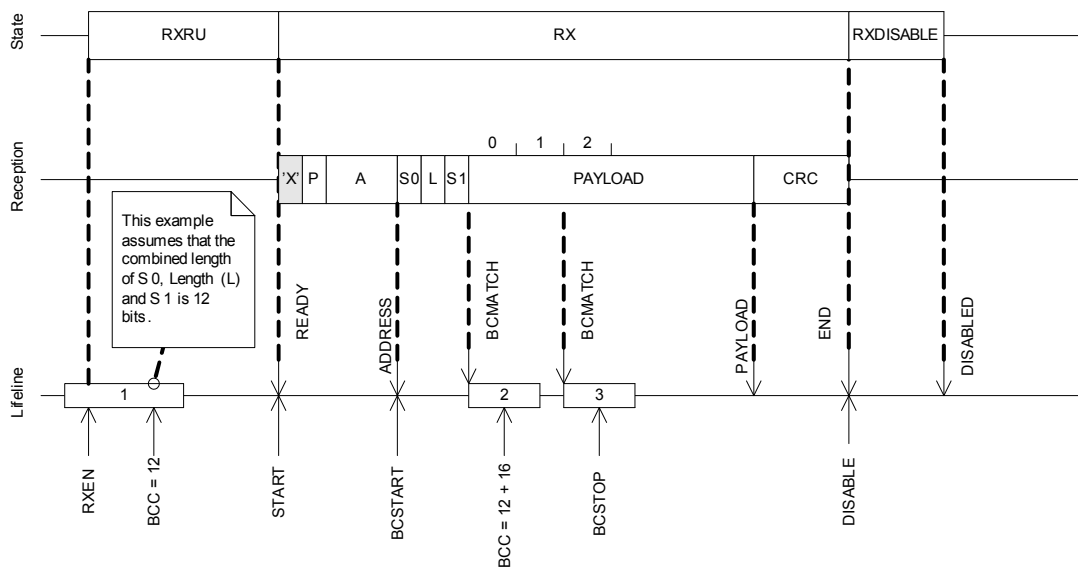


Figure 30 Bit counter example.

16.1.15 Override registers

The OVERRIDE[n] (n=0...4) registers must be configured for a specific radio mode if override parameters have been written to the FICR during production calibration. It is not possible to partially override these parameters, meaning all five registers must either be used or left untouched.

16.1.15.1 Using the Override registers

Before enabling the radio, check if the FICR contains override parameters for the selected radio mode by reading the FICR.OVERRIDDEN register. If the FICR contains override parameters for this mode, they have to be copied into the RADIO.OVERRIDE[n] (n=0...4) registers before the radio is enabled. See **Chapter 6 “Factory Information Configuration Registers (FICR)”** on page 18 for further details.

Override can be disabled by setting the value of OVERRIDE[4].OREN to 0. Override can be re-enabled by setting the value of OVERRIDE[4].OREN to 1.

Configuration of the OVERRIDE registers, including OVERRIDE[4].OREN, must occur before the radio is enabled using the RXEN or TXEN task. The registers must not be overwritten while the radio is enabled, that is, from RADIO.RXEN or RADIO.TXEN until the RADIO.DISABLED event.

16.2 Register

Register	Offset	Description
TASKS		
TXEN	0x000	Enable radio in TX mode.
RXEN	0x004	Enable radio in RX mode.
START	0x008	Start radio.
STOP	0x00C	Stop radio.
DISABLE	0x010	Disable radio.
RSSISTART	0x014	Task for starting the RSSI and take one single sample of the receive signal strength.
RSSISTOP	0x018	Task for stopping the RSSI measurement.
BCSTART	0x01C	Start bit counter.
BCSTOP	0x020	Stop bit counter.
EVENTS		
READY	0x100	Ready event.
ADDRESS	0x104	Address event.
PAYLOAD	0x108	Payload event.
END	0x10C	End event.
DISABLED	0x110	Disabled event.
DEVMATCH	0x114	A device address match occurred on the last received packet.
DEVMISS	0x118	No device address match occurred on the last received packet.
RSSIEND	0x11C	Sampling of receive signal strength complete. A new RSSI sample is ready for readout from the RSSISAMPLE register.
BCMATCH	0x128	Bit counter reached bit count value specified in BCC.
REGISTERS		
SHORTS	0x200	Shortcuts for the radio.
INTENSET	0x304	Interrupt enable set register.
INTENCLR	0x308	Interrupt enable clear register.
CRCSTATUS	0x400	CRC status.
RXMATCH	0x408	Received address.
RXCRC	0x40C	Received CRC.
DAI	0x410	Device address match index.
PACKETPTR	0x504	Packet pointer.
FREQUENCY	0x508	Frequency.
TXPOWER	0x50C	Output power.
MODE	0x510	Data rate and modulation.
PCNF0	0x514	Packet configuration 0.
PCNF1	0x518	Packet configuration 1.
BASE0	0x51C	Base address 0.
BASE1	0x520	Base address 1.
PREFIX0	0x524	Prefixes bytes for logical addresses 0-3.

Register	Offset	Description
PREFIX1	0x528	Prefixes bytes for logical addresses 4-7.
TXADDRESS	0x52C	Transmit address select.
RXADDRESSES	0x530	Receive address select.
CRCCNF	0x534	CRC configuration.
CRCPOLY	0x538	CRC polynomial.
CRCINIT	0x53C	CRC initial value.
TEST	0x540	Test features enable register.
TIFS	0x544	Interframe Spacing in μ s.
RSSISAMPLE	0x548	RSSI sample.
STATE	0x550	Current radio state.
DATAWHITEIV	0x554	Data whitening initial value.
BCC	0x560	Bit counter compare.
DAB[0]	0x600	Device address 0 base segment.
DAB[1]	0x604	Device address 1 base segment.
..
DAB[7]	0x61C	Device address 7 base segment.
DAP[0]	0x620	Device address 0 prefix.
DAP[1]	0x624	Device address 1 prefix.
..
DAP[7]	0x63C	Device address 7 prefix.
DACNF	0x640	Device address match configuration.
..
OVERRIDE[0]	0x724	Override0 - Radio configuration parameters.
OVERRIDE[1]	0x728	Override1 - Radio configuration parameters.
OVERRIDE[2]	0x72C	Override2 - Radio configuration parameters.
OVERRIDE[3]	0x730	Override3 - Radio configuration parameters.
OVERRIDE[4]	0x734	Override4 - Radio configuration parameters.
..
POWER	0xFFC	Peripheral power control.

Table 19 Register overview

16.2.1 SHORTS

Bit number	31	30	29	28	27	26	25	24	23	22	21	20	19	18	17	16	15	14	13	12	11	10	9	8	7	6	5	4	3	2	1	0
ID (Field ID)	-	-	-	-	-	-	-	-	-	-	-	-	-	-	-	-	-	-	-	-	-	-	-	-	I	G	F	E	D	C	B	A
Reset value	0	0	0	0	0	0	0	0	0	0	0	0	0	0	0	0	0	0	0	0	0	0	0	0	0	0	0	0	0	0	0	0
ID	RW	Field	Value ID	Value	Description																											
A	RW	READY_START			Enable or disable shortcut between READY event and START task.																											
B	RW	END_DISABLE			Enable or disable shortcut between END event and DISABLE task.																											
C	RW	DISABLED_TXEN			Enable or disable shortcut between DISABLED event and TXEN task.																											
D	RW	DISABLED_RXEN			Enable or disable shortcut between DISABLED event and RXEN task.																											
E	RW	ADDRESS_RSSISTART			Enable or disable shortcut between ADDRESS event and RSSISTART task.																											
F	RW	END_START			Enable or disable shortcut between END event and START task.																											
G	RW	ADDRESS_BCSTART			Enable or disable shortcut between ADDRESS event and BCSTART task.																											
I	RW	DISABLED_RSSISTOP			Enable or disable shortcut between DISABLED event and RSSISTOP task.																											

16.2.2 CRCSTATUS

Bit number	31	30	29	28	27	26	25	24	23	22	21	20	19	18	17	16	15	14	13	12	11	10	9	8	7	6	5	4	3	2	1	0
ID (Field ID)	-	-	-	-	-	-	-	-	-	-	-	-	-	-	-	-	-	-	-	-	-	-	-	-	-	-	-	-	-	-	-	A
Reset value	0	0	0	0	0	0	0	0	0	0	0	0	0	0	0	0	0	0	0	0	0	0	0	0	0	0	0	0	0	0	0	0
ID	RW	Field	Value ID	Value	Description																											
A	R				CRC status of packet received																											
				0	Packet received with CRC error																											
				1	Packet received with CRC OK																											

16.2.3 RXMATCH

Bit number	31	30	29	28	27	26	25	24	23	22	21	20	19	18	17	16	15	14	13	12	11	10	9	8	7	6	5	4	3	2	1	0		
ID (Field ID)	-	-	-	-	-	-	-	-	-	-	-	-	-	-	-	-	-	-	-	-	-	-	-	-	-	-	-	-	-	-	-	A	A	A
Reset value	0	0	0	0	0	0	0	0	0	0	0	0	0	0	0	0	0	0	0	0	0	0	0	0	0	0	0	0	0	0	0	0	0	
ID	RW	Field	Value ID	Value	Description																													
A	R				Logical address on which previous packet was received.																													

16.2.4 RXCRC

Bit number	31	30	29	28	27	26	25	24	23	22	21	20	19	18	17	16	15	14	13	12	11	10	9	8	7	6	5	4	3	2	1	0
ID (Field ID)	-	-	-	-	-	-	-	-	A	A	A	A	A	A	A	A	A	A	A	A	A	A	A	A	A	A	A	A	A	A	A	A
Reset value	0	0	0	0	0	0	0	0	0	0	0	0	0	0	0	0	0	0	0	0	0	0	0	0	0	0	0	0	0	0	0	0
ID	RW	Field	Value ID	Value	Description																											
A	R				CRC field of previously received packet.																											

16.2.5 PACKETPTR

Bit number	31	30	29	28	27	26	25	24	23	22	21	20	19	18	17	16	15	14	13	12	11	10	9	8	7	6	5	4	3	2	1	0
ID (Field ID)	A	A	A	A	A	A	A	A	A	A	A	A	A	A	A	A	A	A	A	A	A	A	A	A	A	A	A	A	A	A	A	A
Reset value	0	0	0	0	0	0	0	0	0	0	0	0	0	0	0	0	0	0	0	0	0	0	0	0	0	0	0	0	0	0	0	0
ID	RW	Field	Value ID	Value	Description																											
A	RW				Packet address to be used for the next transmission or reception. When transmitting, the packet pointed to by this address will be transmitted and when receiving, the received packet will be written to this address. This address is a byte aligned RAM address. Decision point: START task.																											

16.2.6 TXPOWER

Bit number	31	30	29	28	27	26	25	24	23	22	21	20	19	18	17	16	15	14	13	12	11	10	9	8	7	6	5	4	3	2	1	0
ID (Field ID)	-	-	-	-	-	-	-	-	-	-	-	-	-	-	-	-	-	-	-	-	-	-	-	-	-	-	-	-	-	-	-	-
Reset value	0	0	0	0	0	0	0	0	0	0	0	0	0	0	0	0	0	0	0	0	0	0	0	0	0	0	0	0	0	0	0	0
ID	RW	Field	Value ID	Value	Description																											
A	RW				Radio output power. Decision point: TXEN task.																											
		POS_4_DBM	0x04	0x04	+ 4 dBm																											
		0_DBM	0	0	0 dBm																											
		NEG_4_DBM	0xFC	0xFC	-4 dBm																											
		NEG_8_DBM	0xF8	0xF8	-8 dBm																											
		NEG_12_DBM	0xF4	0xF4	-12 dBm																											
		NEG_16_DBM	0xF0	0xF0	-16 dBm																											
		NEG_20_DBM	0xEC	0xEC	-20 dBm																											
		NEG_30_DBM	0xD8	0xD8	-30 dBm																											

16.2.7 MODE

Bit number	31	30	29	28	27	26	25	24	23	22	21	20	19	18	17	16	15	14	13	12	11	10	9	8	7	6	5	4	3	2	1	0
ID (Field ID)	-	-	-	-	-	-	-	-	-	-	-	-	-	-	-	-	-	-	-	-	-	-	-	-	-	-	-	-	-	-	-	-
Reset value	0	0	0	0	0	0	0	0	0	0	0	0	0	0	0	0	0	0	0	0	0	0	0	0	0	0	0	0	0	0	0	0
ID	RW	Field	Value ID	Value	Description																											
A	RW				Radio data rate and modulation setting. The radio supports Frequency-shift Keying (FSK) modulation, which depending on setting are compatible with either Nordic Semiconductor's proprietary radios, or <i>Bluetooth</i> low energy.																											
		NRF_1MBIT	0	0	1 Mbit/s Nordic proprietary radio mode																											
		NRF_2MBIT	1	1	2 Mbit/s Nordic proprietary radio mode																											
		NRF_250_KBIT	2	2	250 kbit/s Nordic proprietary radio mode																											
		BLE_1MBIT	3	3	1 Mbit/s <i>Bluetooth</i> Low Energy.																											

16.2.8 PCNF0

Bit number	31	30	29	28	27	26	25	24	23	22	21	20	19	18	17	16	15	14	13	12	11	10	9	8	7	6	5	4	3	2	1	0
ID (Field ID)	-	-	-	-	-	-	-	-	-	-	-	-	C	C	C	C	-	-	-	-	-	-	-	B	-	-	-	-	A	A	A	A
Reset value	0	0	0	0	0	0	0	0	0	0	0	0	0	0	0	0	0	0	0	0	0	0	0	0	0	0	0	0	0	0	0	0
ID	RW	Field	Value ID	Value	Description																											
A	RW	LFLLEN		[0..8]	Length of length field in number of bits. Decision point: START task.																											
B	RW	S0LEN		[0..1]	Length of S0 field in number of bytes. Decision point: START task.																											
C	RW	S1LEN		[0..8]	Length of S1 field in number of bits. Decision point: START task.																											

16.2.9 PCNF1

Bit number	31	30	29	28	27	26	25	24	23	22	21	20	19	18	17	16	15	14	13	12	11	10	9	8	7	6	5	4	3	2	1	0
ID (Field ID)	-	-	-	-	-	-	E	D	-	-	-	-	-	C	C	C	B	B	B	B	B	B	B	B	A	A	A	A	A	A	A	A
Reset value	0	0	0	0	0	0	0	0	0	0	0	0	0	0	0	0	0	0	0	0	0	0	0	0	0	0	0	0	0	0	0	0
ID	RW	Field	Value ID	Value	Description																											
A	RW	MAXLEN		[0..255]	Maximum length of packet payload. If the payload of a packet is larger than MAXLEN the radio will only receive MAXLEN number of bytes.																											
B	RW	STATLEN		[0..255]	Static length in number of bytes. The radio will send and receive N bytes more than what is defined in the Length field of the packet. Usually the RADIO will send/receive the number of bytes defined by the Length field in the RADIO packet. If you want to send more than that, you do so by adding a static length of N bytes to the packet. Decision point: START task.																											
C	RW	BALEN		[2..4]	Base address length in number of bytes. The address field is composed of the base address and the one byte long address prefix, e.g. set BALEN=2 to get a total address of 3 bytes. Decision point: START task.																											
D	RW	ENDIAN			On air endianness of packet length field. Decision point: START task.																											
			LITTLE	0	Least significant bit on air first																											
			BIG	1	Most significant bit on air first																											
E	RW	WHITEEN			Packet whitening enabled																											
				0	Disabled																											
				1	Enabled																											

16.2.10 BASE0

Bit number	31	30	29	28	27	26	25	24	23	22	21	20	19	18	17	16	15	14	13	12	11	10	9	8	7	6	5	4	3	2	1	0
ID (Field ID)	A	A	A	A	A	A	A	A	A	A	A	A	A	A	A	A	A	A	A	A	A	A	A	A	A	A	A	A	A	A	A	
Reset value	0	0	0	0	0	0	0	0	0	0	0	0	0	0	0	0	0	0	0	0	0	0	0	0	0	0	0	0	0	0	0	
ID	RW	Field	Value ID	Value	Description																											
A	RW				Radio base address 0. Decision point: START task.																											

16.2.11 BASE1

Bit number	31	30	29	28	27	26	25	24	23	22	21	20	19	18	17	16	15	14	13	12	11	10	9	8	7	6	5	4	3	2	1	0
ID (Field ID)	A	A	A	A	A	A	A	A	A	A	A	A	A	A	A	A	A	A	A	A	A	A	A	A	A	A	A	A	A	A	A	
Reset value	0	0	0	0	0	0	0	0	0	0	0	0	0	0	0	0	0	0	0	0	0	0	0	0	0	0	0	0	0	0	0	
ID	RW	Field	Value ID	Value	Description																											
A	RW				Radio base address 1. Decision point: START task.																											

16.2.12 PREFIX0

Bit number	31	30	29	28	27	26	25	24	23	22	21	20	19	18	17	16	15	14	13	12	11	10	9	8	7	6	5	4	3	2	1	0
ID (Field ID)	D	D	D	D	D	D	D	D	C	C	C	C	C	C	C	C	B	B	B	B	B	B	B	B	A	A	A	A	A	A	A	A
Reset value	0	0	0	0	0	0	0	0	0	0	0	0	0	0	0	0	0	0	0	0	0	0	0	0	0	0	0	0	0	0	0	0
ID	RW	Field	Value ID	Value	Description																											
A	RW	AP0			Address prefix 0. Decision point: START task.																											
B	RW	AP1		..																												
C	RW	AP2		..																												
D	RW	AP3		..																												

16.2.13 PREFIX1

Bit number	31	30	29	28	27	26	25	24	23	22	21	20	19	18	17	16	15	14	13	12	11	10	9	8	7	6	5	4	3	2	1	0
ID (Field ID)	D	D	D	D	D	D	D	D	C	C	C	C	C	C	C	C	B	B	B	B	B	B	B	B	B	A	A	A	A	A	A	A
Reset value	0	0	0	0	0	0	0	0	0	0	0	0	0	0	0	0	0	0	0	0	0	0	0	0	0	0	0	0	0	0	0	0
ID	RW	Field	Value ID	Value	Description																											
A	RW	AP4			Address prefix 4. Decision point: START task.																											
B	RW	AP5		..																												
C	RW	AP6		..																												
D	RW	AP7		..																												

16.2.14 TXADDRESS

Bit number	31	30	29	28	27	26	25	24	23	22	21	20	19	18	17	16	15	14	13	12	11	10	9	8	7	6	5	4	3	2	1	0		
ID (Field ID)	-	-	-	-	-	-	-	-	-	-	-	-	-	-	-	-	-	-	-	-	-	-	-	-	-	-	-	-	-	-	-	A	A	A
Reset value	0	0	0	0	0	0	0	0	0	0	0	0	0	0	0	0	0	0	0	0	0	0	0	0	0	0	0	0	0	0	0	0	0	0
ID	RW	Field	Value ID	Value	Description																													
A	RW				Logical address to be used when transmitting a packet. Decision point: START task.																													

16.2.15 RXADDRESSES

Bit number	31	30	29	28	27	26	25	24	23	22	21	20	19	18	17	16	15	14	13	12	11	10	9	8	7	6	5	4	3	2	1	0	
ID (Field ID)	-	-	-	-	-	-	-	-	-	-	-	-	-	-	-	-	-	-	-	-	-	-	-	-	-	H	G	F	E	D	C	B	A
Reset value	0	0	0	0	0	0	0	0	0	0	0	0	0	0	0	0	0	0	0	0	0	0	0	0	0	0	0	0	0	0	0	0	
ID	RW	Field	Value ID	Value	Description																												
A	RW	ADR0			Enable reception on logical address 0. Decision point START task																												
				0	Disable																												
				1	Enable																												
B	RW	ADR1	..																														
C	RW	ADR2	..																														
D	RW	ADR3	..																														
E	RW	ADR4	..																														
F	RW	ADR5	..																														
G	RW	ADR6	..																														
H	RW	ADR7	..																														

16.2.16 CRCCNF

Bit number	31	30	29	28	27	26	25	24	23	22	21	20	19	18	17	16	15	14	13	12	11	10	9	8	7	6	5	4	3	2	1	0	
ID (Field ID)	-	-	-	-	-	-	-	-	-	-	-	-	-	-	-	-	-	-	-	-	-	-	-	-	-	B	-	-	-	-	-	A	A
Reset value	0	0	0	0	0	0	0	0	0	0	0	0	0	0	0	0	0	0	0	0	0	0	0	0	0	0	0	0	0	0	0	0	
ID	RW	Field	Value ID	Value	Description																												
A	RW	LEN		[1..3]	CRC length in number of bytes. Decision point: START task.																												
				0	CRC length is zero, and CRC calculation is disabled.																												
B	RW	SKIP_ADR			Leave packet address field out of CRC calculation. Decision point: START task.																												
				0	CRC calculation includes address field.																												
				1	CRC calculation does not include address field. The CRC calculation will start at the first byte after the address.																												

16.2.17 CRCPOLY

Bit number	31	30	29	28	27	26	25	24	23	22	21	20	19	18	17	16	15	14	13	12	11	10	9	8	7	6	5	4	3	2	1	0
ID (Field ID)	-	-	-	-	-	-	-	-	A	A	A	A	A	A	A	A	A	A	A	A	A	A	A	A	A	A	A	A	A	A	-	
Reset value	0	0	0	0	0	0	0	0	0	0	0	0	0	0	0	0	0	0	0	0	0	0	0	0	0	0	0	0	0	0	0	
ID	RW	Field	Value ID	Value	Description																											
A	RW				CRC polynomial. Each term in the CRC polynomial is mapped to a bit in this register which index corresponds to the term's exponent. The least significant term/bit is hardwired to 1. The following example is for an 8-bit CRC polynomial: $x^8 + x^7 + x^3 + x^2 + 1 = 1\ 1000\ 1101$ Decision point: START task.																											

16.2.18 CRCINIT

Bit number	31	30	29	28	27	26	25	24	23	22	21	20	19	18	17	16	15	14	13	12	11	10	9	8	7	6	5	4	3	2	1	0
ID (Field ID)	-	-	-	-	-	-	-	-	-	A	A	A	A	A	A	A	A	A	A	A	A	A	A	A	A	A	A	A	A	A	A	
Reset value	0	0	0	0	0	0	0	0	0	0	0	0	0	0	0	0	0	0	0	0	0	0	0	0	0	0	0	0	0	0	0	
ID	RW	Field	Value ID	Value	Description																											
A	RW				Initial value for CRC calculation. Decision point: START task.																											

16.2.19 FREQUENCY

Bit number	31	30	29	28	27	26	25	24	23	22	21	20	19	18	17	16	15	14	13	12	11	10	9	8	7	6	5	4	3	2	1	0
ID (Field ID)	-	-	-	-	-	-	-	-	-	-	-	-	-	-	-	-	-	-	-	-	-	-	-	-	-	-	-	-	-	-	-	
Reset value	0	0	0	0	0	0	0	0	0	0	0	0	0	0	0	0	0	0	0	0	0	0	0	0	0	0	0	0	0	0	0	
ID	RW	Field	Value ID	Value	Description																											
A	RW				Radio channel frequency offset in MHz: RF frequency = 2400 + A (MHz) Decision point: TXEN or RXEN																											

16.2.20 TEST

Bit number	31	30	29	28	27	26	25	24	23	22	21	20	19	18	17	16	15	14	13	12	11	10	9	8	7	6	5	4	3	2	1	0
ID (Field ID)	-	-	-	-	-	-	-	-	-	-	-	-	-	-	-	-	-	-	-	-	-	-	-	-	-	-	-	-	-	-	-	
Reset value	0	0	0	0	0	0	0	0	0	0	0	0	0	0	0	0	0	0	0	0	0	0	0	0	0	0	0	0	0	0	0	
ID	RW	Field	Value ID	Value	Description																											
A	RW	CONST_CARRIER			Constant carrier. Decision point: TXEN task.																											
				0	Disable																											
				1	Enable																											
B	RW	PLL_LOCK			PLL lock. Decision point: TXEN or RXEN task.																											
				0	Disable																											
				1	Enable																											

16.2.21 RSSISAMPLE

Bit number	31	30	29	28	27	26	25	24	23	22	21	20	19	18	17	16	15	14	13	12	11	10	9	8	7	6	5	4	3	2	1	0
ID (Field ID)	-	-	-	-	-	-	-	-	-	-	-	-	-	-	-	-	-	-	-	-	-	-	-	-	-	-	-	-	-	-	-	
Reset value	0	0	0	0	0	0	0	0	0	0	0	0	0	0	0	0	0	0	0	0	0	0	0	0	0	0	0	0	0	0	0	
ID	RW	Field	Value ID	Value	Description																											
A	RW			[0..127]	RSSI sample result. The value of this register is read as a positive value while the actual received signal strength is a negative value. Actual received signal strength is as follows: Received signal strength = -A [dBm]																											

16.2.26 DAB[n] (n=0..7)

Bit number	31	30	29	28	27	26	25	24	23	22	21	20	19	18	17	16	15	14	13	12	11	10	9	8	7	6	5	4	3	2	1	0	
ID (Field ID)	A	A	A	A	A	A	A	A	A	A	A	A	A	A	A	A	A	A	A	A	A	A	A	A	A	A	A	A	A	A	A	A	A
Reset value	0	0	0	0	0	0	0	0	0	0	0	0	0	0	0	0	0	0	0	0	0	0	0	0	0	0	1	0	0	0	0	0	
ID	RW	Field	Value ID	Value	Description																												
A	RW				Device address base segment.																												

16.2.27 DAP[n] (n=0..7)

Bit number	31	30	29	28	27	26	25	24	23	22	21	20	19	18	17	16	15	14	13	12	11	10	9	8	7	6	5	4	3	2	1	0
ID (Field ID)	-	-	-	-	-	-	-	-	-	-	-	-	-	-	-	-	-	A	A	A	A	A	A	A	A	A	A	A	A	A	A	A
Reset value	0	0	0	0	0	0	0	0	0	0	0	0	0	0	0	0	0	0	0	0	0	0	0	0	0	0	1	0	0	0	0	0
ID	RW	Field	Value ID	Value	Description																											
A	RW				Device address prefix.																											

16.2.28 DACNF

Bit number	31	30	29	28	27	26	25	24	23	22	21	20	19	18	17	16	15	14	13	12	11	10	9	8	7	6	5	4	3	2	1	0
ID (Field ID)	-	-	-	-	-	-	-	-	-	-	-	-	-	-	-	-	P	O	N	M	L	K	J	I	H	G	F	E	D	C	B	A
Reset value	0	0	0	0	0	0	0	0	0	0	0	0	0	0	0	0	0	0	0	0	0	0	0	0	0	0	1	0	0	0	0	0
ID	RW	Field	Value ID	Value	Description																											
A	RW	ENA0		0 1	Enable or disable device address matching using device address 0. Disable Enable																											
B	RW	ENA1			..																											
C	RW	ENA2			..																											
D	RW	ENA3			..																											
E	RW	ENA4			..																											
F	RW	ENA5			..																											
G	RW	ENA6			..																											
H	RW	ENA7			..																											
I	RW	TXADD0			TxAdd for device address 0.																											
J	RW	TXADD1			..																											
K	RW	TXADD2			..																											
L	RW	TXADD3			..																											
M	RW	TXADD4			..																											
N	RW	TXADD5			..																											
O	RW	TXADD6			..																											
P	RW	TXADD7			..																											

16.2.29 BCC

Bit number	31	30	29	28	27	26	25	24	23	22	21	20	19	18	17	16	15	14	13	12	11	10	9	8	7	6	5	4	3	2	1	0
ID (Field ID)	A	A	A	A	A	A	A	A	A	A	A	A	A	A	A	A	A	A	A	A	A	A	A	A	A	A	A	A	A	A	A	
Reset value	0	0	0	0	0	0	0	0	0	0	0	0	0	0	0	0	0	0	0	0	0	0	0	0	0	0	0	0	0	0	0	
ID	RW	Field	Value ID	Value	Description																											
A	RW				Bit counter compare																											

16.2.30 OVERRIDE[n] (n=0..3)

Bit number	31	30	29	28	27	26	25	24	23	22	21	20	19	18	17	16	15	14	13	12	11	10	9	8	7	6	5	4	3	2	1	0
ID (Field ID)	A	A	A	A	A	A	A	A	A	A	A	A	A	A	A	A	A	A	A	A	A	A	A	A	A	A	A	A	A	A	A	
Reset value	0	0	0	0	0	0	0	0	0	0	0	0	0	0	0	0	0	0	0	0	0	0	0	0	0	0	0	0	0	0	0	
ID	RW	Field	Value ID	Value	Description																											
A	R				Radio override																											

16.2.31 OVERRIDE[4]

Bit number	31	30	29	28	27	26	25	24	23	22	21	20	19	18	17	16	15	14	13	12	11	10	9	8	7	6	5	4	3	2	1	0
ID (Field ID)	B	A	A	A	A	A	A	A	A	A	A	A	A	A	A	A	A	A	A	A	A	A	A	A	A	A	A	A	A	A	A	A
Reset value	0	0	0	0	0	0	0	0	0	0	0	0	0	0	0	0	0	0	0	0	0	0	0	0	0	0	0	0	0	0	0	0
ID	RW	Field	Value ID	Value	Description																											
A	RW				Radio override																											
B	RW	OREN			Override control.																											
			0		Disable use of OVERRIDE[n] (n=0...4) registers.																											
			1		Enable use of OVERRIDE[n] (n=0...4) registers.																											

16.2.32 POWER

Bit number	31	30	29	28	27	26	25	24	23	22	21	20	19	18	17	16	15	14	13	12	11	10	9	8	7	6	5	4	3	2	1	0	
ID (Field ID)	-	-	-	-	-	-	-	-	-	-	-	-	-	-	-	-	-	-	-	-	-	-	-	-	-	-	-	-	-	-	-	-	A
Reset value	0	0	0	0	0	0	0	0	0	0	0	0	0	0	0	0	0	0	0	0	0	0	0	0	0	0	0	0	0	0	0	1	
ID	RW	Field	Value ID	Value	Description																												
A	RW				Peripheral power control. The peripheral and its registers are reset to its initial state by switching the peripheral off and then back on again.																												
			0		Peripheral is powered off																												
			1		Peripheral is powered on																												

17 Timer/counter (TIMER)

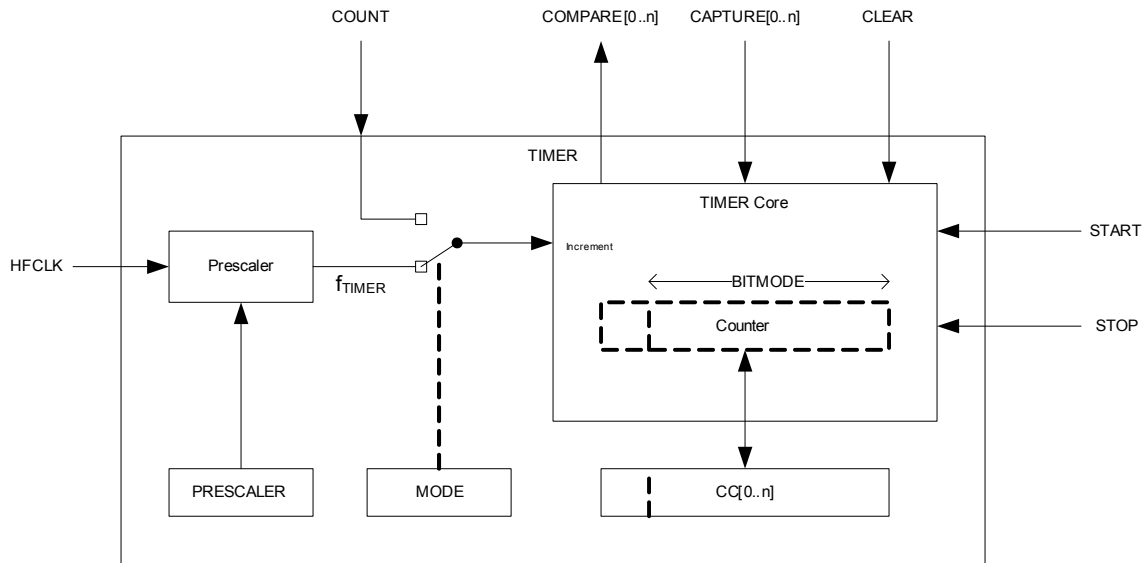


Figure 31 Block schematic for Time/counter

17.1 Functional description

The TIMER can operate in two modes, Timer mode and Counter mode. In both modes the TIMER is started by triggering the START task, and stopped by triggering the STOP task. The TIMER is a count-up timer.

In Timer mode, the TIMER's internal Counter register is incremented by one for every tick of the timer frequency f_{TIMER} as illustrated in **Figure 31**. The timer frequency is derived from HFCLK as described below using the values specified in the PRESCALER register:

$$f_{TIMER} = \frac{HFCLK}{2^{PRESCALER}}$$

In counter mode, the TIMER's internal Counter register is incremented by one each time the COUNT task is triggered, that is, the timer frequency and the prescaler are not utilized in counter mode. Similarly, the COUNT task has no effect in Timer mode.

The TIMER's maximum value is configured by changing the bit-width of the timer in the BITMODE register. For details on which bit-widths that are supported on the different timers see the device product specification.

The PRESCALER register and the BITMODE register must only be updated when the timer is stopped. If these registers are updated while the TIMER is started then this may result in unpredictable behavior.

When the timer is incremented beyond its maximum value the Counter register will overflow and the TIMER will automatically start over from zero.

The Counter register can be cleared, that is, its internal value set to zero explicitly, by triggering the CLEAR task.

The TIMER implements multiple capture/compare registers, see the product specification for more information on how many capture/compare registers that are supported in the chip.

17.1.1 Compare

The TIMER implements one COMPARE event for every available capture/compare register. A COMPARE event is generated when the Counter is incremented and then becomes equal to the value specified in one of the capture compare registers. When the Counter value becomes equal to the value specified in a capture compare register CC[n], the corresponding compare event COMPARE[n] is generated.

BITMODE specifies how many bits of the Counter register and the capture/compare register that are used when the comparison is performed. Other bits will be ignored.

17.1.2 Capture

The TIMER implements one capture task for every available capture/compare register. Every time the CAPTURE[n] task is triggered the Counter value is copied to the CC[n] register.

17.1.3 Task priority

If the START task and the STOP task are triggered at the same time, that is, within the same period of HFCLK, the STOP task will be prioritized.

17.1.4 Task delays

The CLEAR task, COUNT task and the STOP task will guarantee to take effect within one clock cycle of the HFCLK. Depending on sub-power mode, the START task may require longer time to take effect, see product specification for more information. See POWER chapter, *Chapter 11 "Power management (POWER)"* on page 40, for more information about sub-power modes.

17.2 Registers

Register	Offset	Description
TASKS		
START	0x000	Start Timer
STOP	0x004	Stop Timer
COUNT	0x008	Increment Timer (Counter mode only)
CLEAR	0x00C	Clear timer
CAPTURE[0]	0x040	Capture Timer value to CC0 register
CAPTURE[1]	0x044	Capture Timer value to CC1 register
CAPTURE[2]	0x048	Capture Timer value to CC2 register
CAPTURE[3]	0x04C	Capture Timer value to CC3 register
EVENTS		
COMPARE[0]	0x140	Compare event on CC[0] match
COMPARE[1]	0x144	Compare event on CC[1] match
COMPARE[2]	0x148	Compare event on CC[2] match
COMPARE[3]	0x14C	Compare event on CC[3] match
REGISTERS		
SHORTS	0x200	Shortcuts
INTENSET	0x304	Interrupt enable set register
INTENCLR	0x308	Interrupt enable clear register
MODE	0x504	Timer mode selection
BITMODE	0x508	Configure the number of bits used by the TIMER
PRESCALER	0x510	Timer prescaler register
CC[0]	0x540	Capture/Compare register 0
CC[1]	0x544	Capture/Compare register 1
CC[2]	0x548	Capture/Compare register 2
CC[3]	0x54C	Capture/Compare register 3

Table 20 Register overview

17.2.1 SHORTS

Bit number	31	30	29	28	27	26	25	24	23	22	21	20	19	18	17	16	15	14	13	12	11	10	9	8	7	6	5	4	3	2	1	0
ID (Field ID)	-	-	-	-	-	-	-	-	-	-	-	-	-	-	-	-	-	-	-	-	H	G	F	E	-	-	-	-	D	C	B	A
Reset value	0	0	0	0	0	0	0	0	0	0	0	0	0	0	0	0	0	0	0	0	0	0	0	0	0	0	0	0	0	0	0	0
ID	RW	Field	Value	Description																												
A	RW	COMPARE0_CLEAR		Enable or disable shortcut between COMPARE0 and CLEAR task.																												
B	RW	COMPARE1_CLEAR		Enable or disable shortcut between COMPARE1 and CLEAR task.																												
C	RW	COMPARE2_CLEAR		Enable or disable shortcut between COMPARE2 and CLEAR task.																												
D	RW	COMPARE3_CLEAR		Enable or disable shortcut between COMPARE3 and CLEAR task.																												
E	RW	COMPARE0_STOP		Enable or disable shortcut between COMPARE0 and STOP task.																												
F	RW	COMPARE1_STOP		Enable or disable shortcut between COMPARE1 and STOP task.																												
G	RW	COMPARE2_STOP		Enable or disable shortcut between COMPARE2 and STOP task.																												
H	RW	COMPARE3_STOP		Enable or disable shortcut between COMPARE3 and STOP task.																												

17.2.2 MODE

Bit number	31	30	29	28	27	26	25	24	23	22	21	20	19	18	17	16	15	14	13	12	11	10	9	8	7	6	5	4	3	2	1	0
ID (Field ID)	-	-	-	-	-	-	-	-	-	-	-	-	-	-	-	-	-	-	-	-	-	-	-	-	-	-	-	-	-	-	-	A
Reset value	0	0	0	0	0	0	0	0	0	0	0	0	0	0	0	0	0	0	0	0	0	0	0	0	0	0	0	0	0	0	0	0
ID	RW	Field	Value	Description																												
A	RW			Timer mode																												
		TIMER	0	Select timer mode																												
		COUNTER	1	Select counter mode																												

17.2.3 PRESCALER

Bit number	31	30	29	28	27	26	25	24	23	22	21	20	19	18	17	16	15	14	13	12	11	10	9	8	7	6	5	4	3	2	1	0			
ID (Field ID)	-	-	-	-	-	-	-	-	-	-	-	-	-	-	-	-	-	-	-	-	-	-	-	-	-	-	-	-	-	-	-	A	A	A	A
Reset value	0	0	0	0	0	0	0	0	0	0	0	0	0	0	0	0	0	0	0	0	0	0	0	0	0	0	0	0	0	0	1	0	0		
ID	RW	Field	Value	Description																															
A	RW		[0..9]	Prescaler value																															

17.2.4 BITMODE

Bit number	31	30	29	28	27	26	25	24	23	22	21	20	19	18	17	16	15	14	13	12	11	10	9	8	7	6	5	4	3	2	1	0		
ID (Field ID)	-	-	-	-	-	-	-	-	-	-	-	-	-	-	-	-	-	-	-	-	-	-	-	-	-	-	-	-	-	-	-	-	A	A
Reset value	0	0	0	0	0	0	0	0	0	0	0	0	0	0	0	0	0	0	0	0	0	0	0	0	0	0	0	0	0	0	0	0	0	
ID	RW	Field	Value	Description																														
A	RW			Timer bit width																														
		16BIT	0	16 bit timer bit width																														
		08BIT	1	8 bit timer bit width																														
		24BIT	2	24 bit timer bit width																														
		32BIT	3	32 bit timer bit width																														

18 Real Time Counter (RTC)

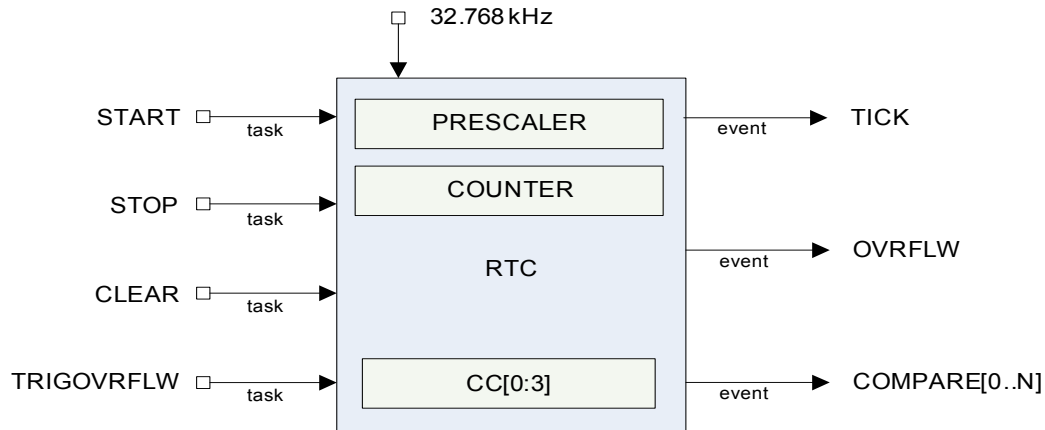


Figure 32 RTC block schematic

18.1 Functional description

The RTC is a 24 bit low-frequency clock with frequency prescaling and tick, compare, and overflow events.

18.1.1 Clock Source

The RTC will run off a low-frequency clock (LFCLK) running at 32.768 kHz. This clock may be either a RC oscillator or a crystal oscillator. The COUNTER resolution will therefore be 30.517 μ s. The RTC must be able to run while the 16 MHz system clock (SysClk) source is OFF.

18.1.2 Resolution versus overflow and the PRESCALER

COUNTER increment frequency:

$$f_{RTC} = \frac{32,768kHz}{PRESCALER + 1}$$

The PRESCALER register is read/write when the RTC is stopped. The PRESCALER register is read-only once the RTC is STARTed. Writing to the PRESCALER register when the RTC is started has no effect.

The PRESCALER is restarted on START, CLEAR and TRIGOVRFW, that is, the prescaler value is latched to an internal register (<<PRESC>>) on these tasks.

Examples

1. Desired COUNTER frequency 100 Hz (10 ms per counter period)
 PRESCALER = $\text{round}(32.768 \text{ kHz} / 100 \text{ Hz}) - 1 = 327$
 $f_{\text{RTC}} = 99.9 \text{ Hz}$
 10009.576 μs counter period
2. Desired COUNTER frequency 8 Hz (125 millisecond counter period)
 PRESCALER = $\text{round}(32.768 \text{ kHz} / 8 \text{ Hz}) - 1 = 4095$
 $f_{\text{RTC}} = 8 \text{ Hz}$
 125 ms counter period

Prescaler	Counter resolution	Overflow
0	30.517 μs	512 seconds
$2^8 - 1$	7812.5 μs	131072 seconds
$2^{12} - 1$	125 ms	582.542 hours

Table 21 RTC Resolution versus Overflow

18.1.3 The COUNTER register

The COUNTER increments on LFCLK when the internal PRESCALER register (<<PRESC>>) is 0x00. The internal <<PRESC>> register is reloaded from the PRESCALER register. If enabled, the TICK event occurs on each increment of the COUNTER. The TICK event can be disabled.

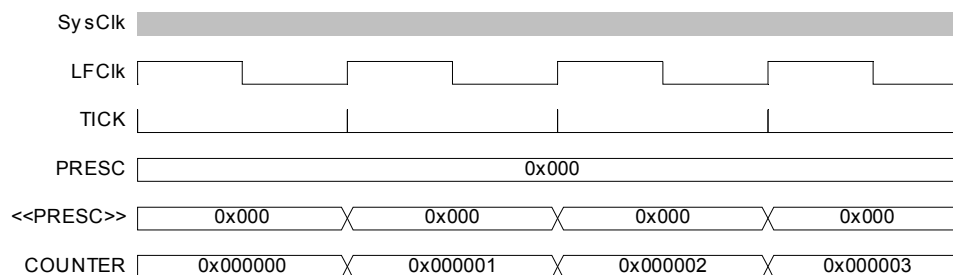


Figure 33 Timing diagram - COUNTER_PRESCALER_0

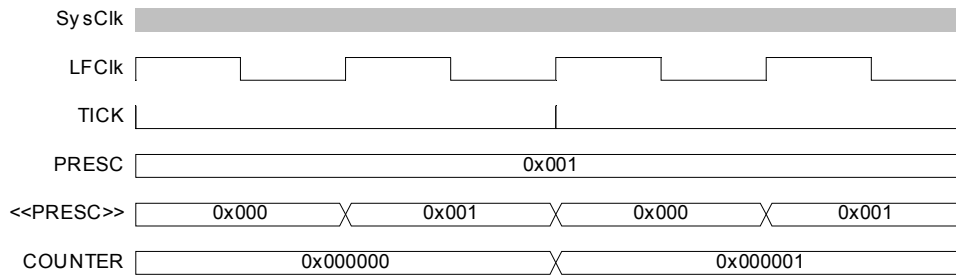


Figure 34 Timing diagram - COUNTER_PRESCALER_1

18.1.4 Overflow features

The TRIGOVFLW task sets the COUNTER value to 0xFFFFF0 to allow SW test of the overflow condition. OVRFLW occurs when COUNTER overflows from 0xFFFFF0 to 0x000000.

Note: The OVRFLW event is disabled by default.

18.1.5 The TICK event

The TICK event enables low power “tick-less” RTOS implementation as it optionally provides a regular interrupt source for a RTOS without the need to use the ARM® SysTick feature. Using the RTC TICK event rather than the SysTick allows the CPU to be powered down while still keeping RTOS scheduling active.

Note: The TICK event is disabled by default.

18.1.6 Event Control feature

To optimize RTC power consumption, events in the RTC can be prevented from being routed to the PPI by configuring the EVTEN register. When routing an event to the PPI is disabled the HFCLK will no longer be required and power consumption will be reduced.

For example, if the TICK event is not required for an application, routing of this event to the PPI should be disabled as it is frequently occurring and may raise power consumption if HFCLK can otherwise be powered down for long durations.

18.1.7 Compare feature

There are three supported compare registers and up to one optional. See product specification for details on available compare registers.

When setting a compare register, the following behavior of the RTC compare event should be noted:

- If a CC register value is 0 when a CLEAR task is set, this will not trigger a COMPARE event.

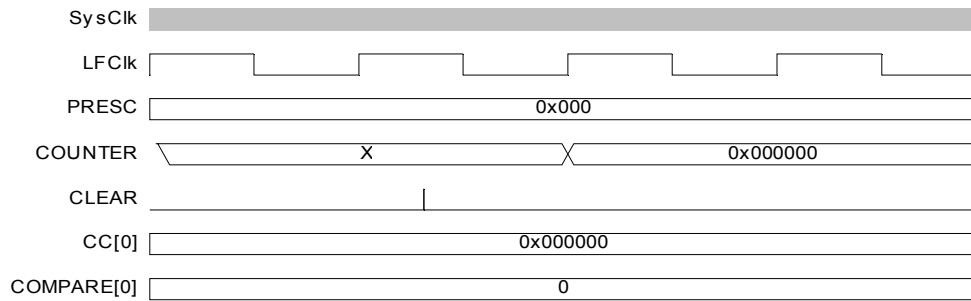


Figure 35 Timing diagram –COMPARE_CLEAR

- If a CC register is N and the COUNTER value is N when the START task is set, this will **not** trigger a COMPARE event.

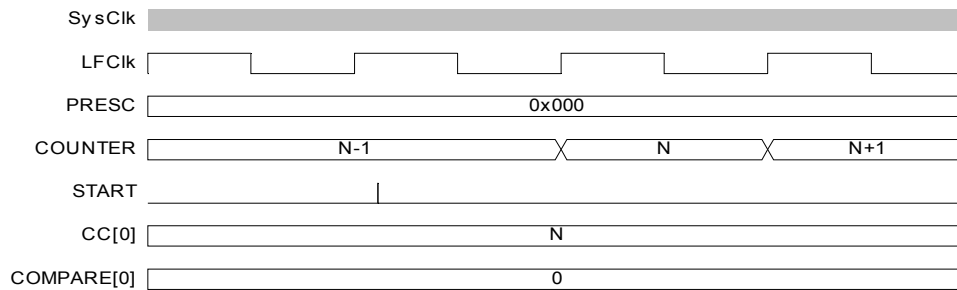


Figure 36 Timing diagram - COMPARE_START

- COMPARE occurs when a CC register is N and the COUNTER value transitions from N-1 to N.

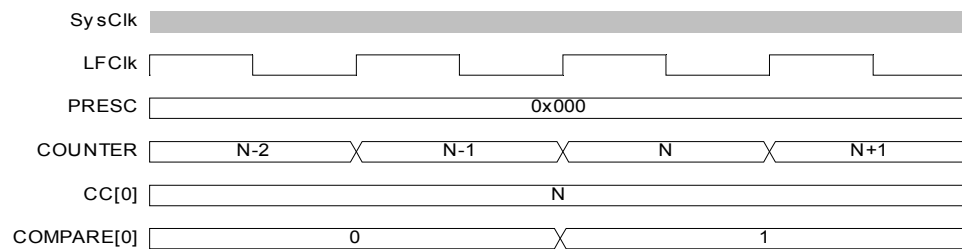


Figure 37 Timing diagram - COMPARE

- If the COUNTER is N, writing N+2 to a CC register is guaranteed to trigger a COMPARE event at N+2.

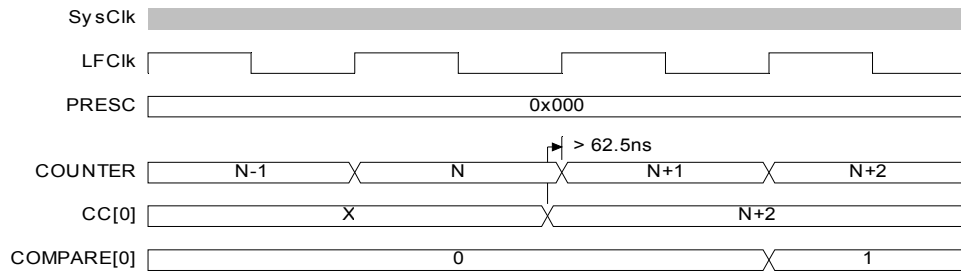


Figure 38 Timing diagram - COMPARE_N+2

- If the COUNTER is N, writing N or N+1 to a CC register may not trigger a COMPARE event.

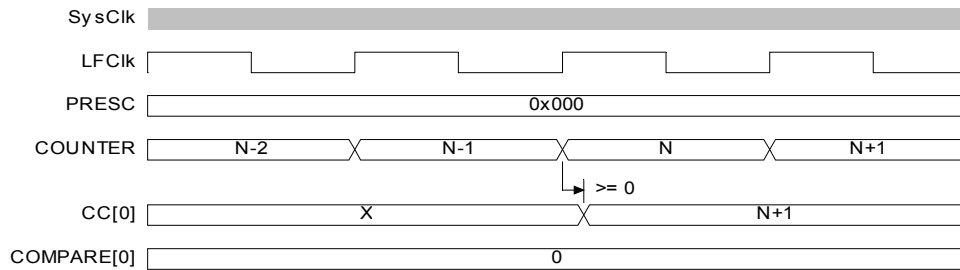


Figure 39 Timing diagram - COMPARE_N+1

- If the COUNTER is N and the current CC register value is N+1 or N+2 when a new CC value is written, a match may trigger on the previous CC value before the new value takes effect. If the current CC value greater than N+2 when the new value is written, there will be no event due to the old value.

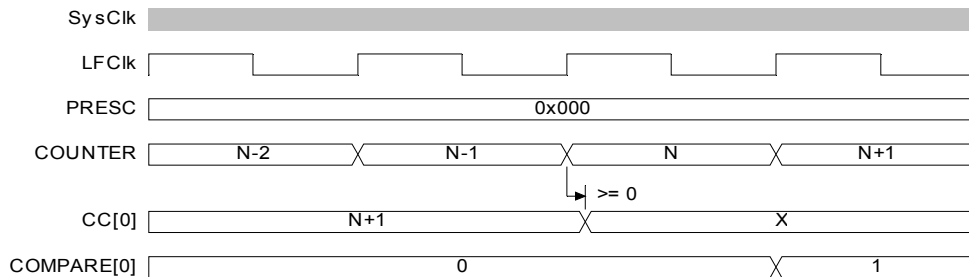


Figure 40 Timing diagram - COMPARE_N-1

18.1.8 TASK and EVENT jitter/delay

The source of jitter or delay in the RTC is due to the peripheral clock being a low frequency clock (LFCLK) which is not synchronous to the faster system clock (SysClk). Registers in the peripheral interface, part of the SysClk domain, have a set of mirrored registers in the LFCLK domain. For example, the COUNTER value accessible from the CPU is in the SysClk domain and is latched on read from an internal register called COUNTER in the LFCLK domain. COUNTER is the register which is actually modified each time the RTC ticks. These registers must be synchronised between clock domains (SysClk and LFCLK).

The following is a summary of the jitter introduced on tasks and events. Figures illustrating jitter follow.

Task	Delay
CLEAR, STOP, START, TRIGOVFLW	+15 to 46 μ s

Table 22 RTC jitter magnitudes on tasks

Operation/Function	Jitter
START to COUNTER increment	+/- 15 μ s
COMPARE to COMPARE ¹	+/- 62.5 ns

1. Assumes RTC runs continuously between these events.

Note: 32.768 kHz clock jitter is additional to the above provided numbers

Table 23 RTC jitter magnitudes on events

1. CLEAR and STOP (and TRIGOVFLW; not shown) will be delayed as long as it takes for the peripheral to clock a falling edge and rising of the LFCLK. This is between 15.2585 μ s and 45.7755 μ s – rounded to 15 μ s and 46 μ s for the remainder of the section.

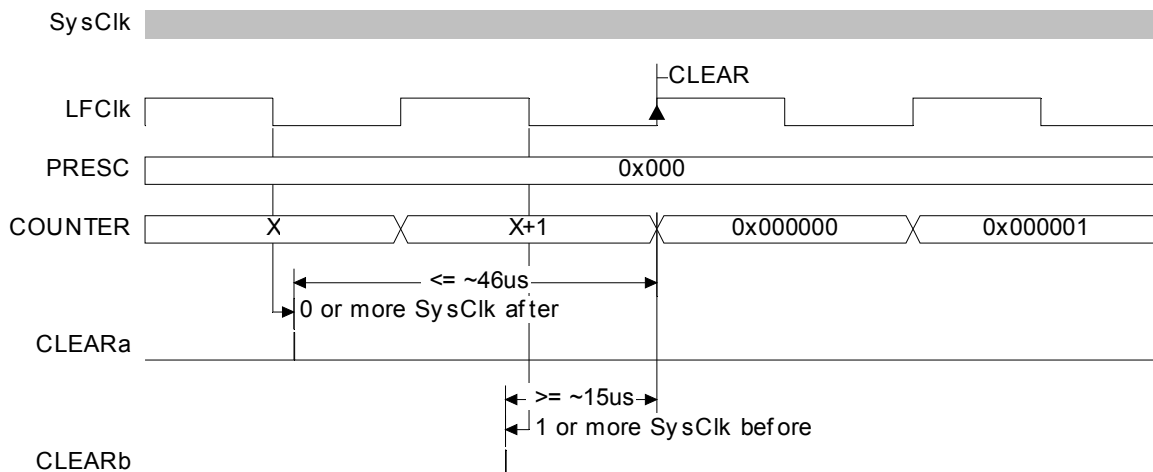


Figure 41 Timing diagram - DELAY_CLEAR

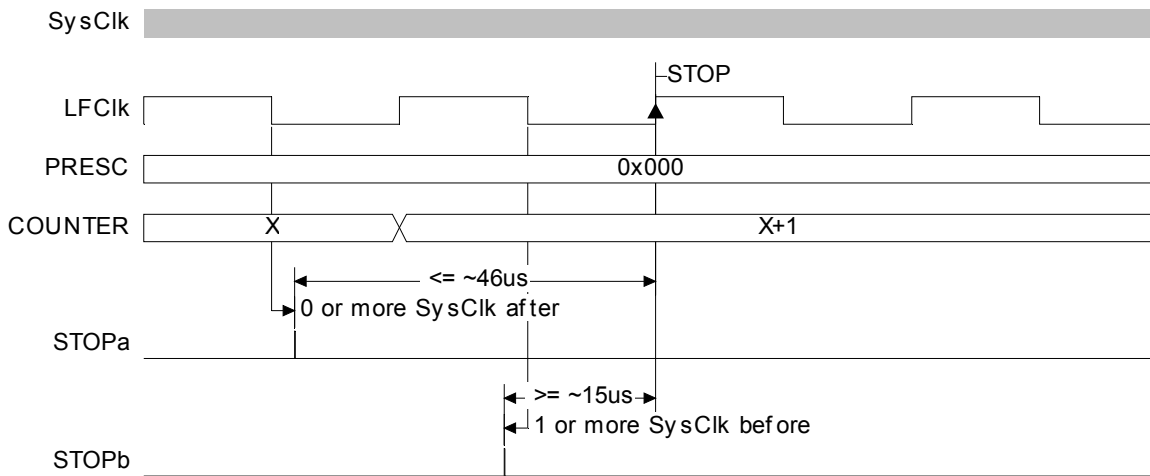


Figure 42 Timing diagram - DELAY_STOP

- The START task will start the RTC. The first increment of COUNTER (and instance of TICK event) will be after $30.5 \mu\text{s} \pm 15 \mu\text{s}$, again because at least 1 falling edge must occur after the START TASK before the rising edge causes events and COUNTER increment. The figures show the smallest and largest delays to on the START task which appears as a $\pm 15 \mu\text{s}$ jitter on the first COUNTER increment.

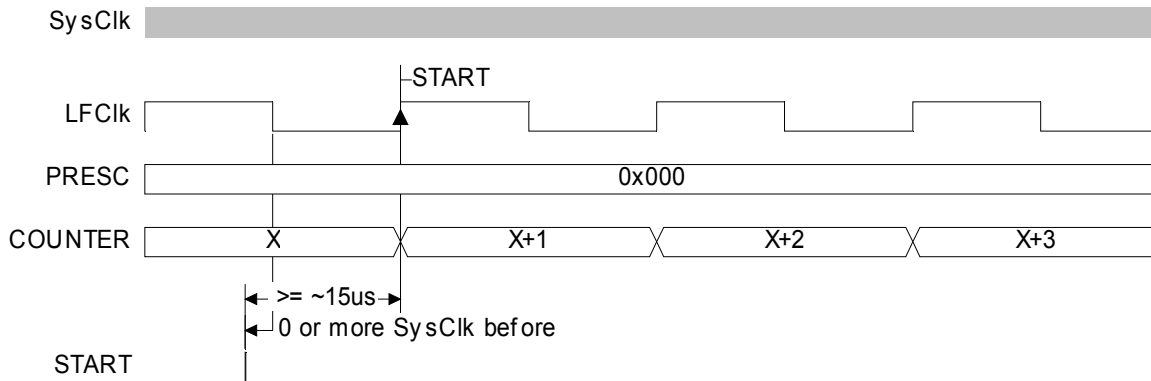


Figure 43 Timing diagram - JITTER_START-

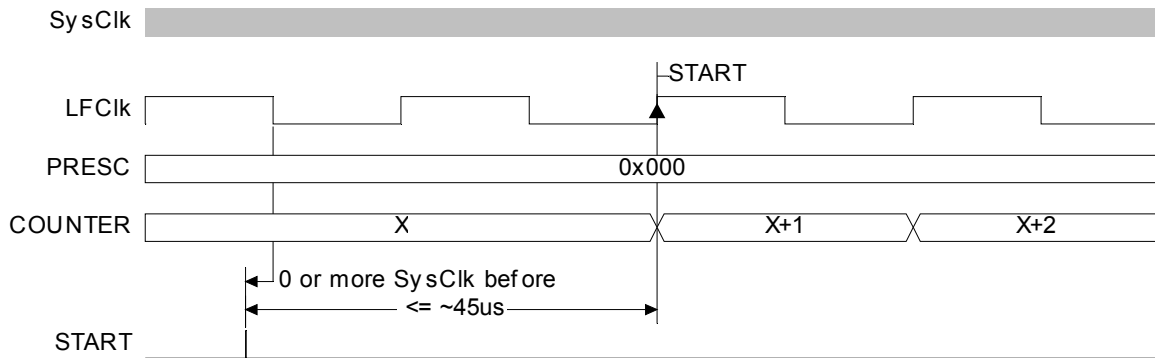


Figure 44 Timing diagram - JITTER_START+

18.1.9 Reading the COUNTER register

To read the COUNTER register, the internal <<COUNTER>> value is sampled. To ensure <<COUNTER>> is safely sampled (considering a LFCLK transition may occur during a read), the CPU and core memory bus are halted for 3 cycles by lowering the core PREADY signal. The Read takes the CPU 2 cycles in addition resulting in the COUNTER register read taking a fixed five SysClk clock cycles.

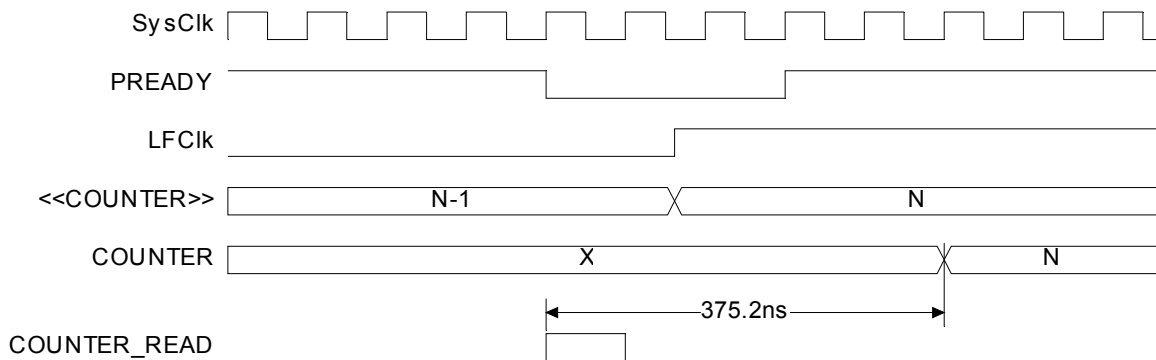


Figure 45 Timing diagram - COUNTER_READ

18.2 Registers

Register	Offset	Description
TASKS		
START	0x000	Start RTC COUNTER.
STOP	0x004	Stop RTC COUNTER.
CLEAR	0x008	Clear RTC COUNTER.
TRIGOVRFLW	0x00C	Set COUNTER to 0xFFFFF0.
EVENTS		
TICK	0x100	Event on COUNTER increment.
OVRFLW	0x104	Event on COUNTER overflow.
COMPARE[0]	0x140	Compare event on CC[0] match.
COMPARE[1]	0x144	Compare event on CC[1] match.
COMPARE[2]	0x148	Compare event on CC[2] match.
COMPARE[3]	0x14C	Compare event on CC[3] match.
REGISTERS		
INTENSET	0x304	Configures which events shall generate a RTC interrupt.
INTENCLR	0x308	Configures which events shall not generate a RTC interrupt.
EVTEN	0x340	Enable or disable event routing to PPI.
EVTENSET	0x344	Enable event routing to PPI.
EVTENCLR	0x348	Disable event routing to PPI.
COUNTER	0x504	Current COUNTER value.
PRESCALER	0x508	12 bit prescaler for COUNTER frequency ($32768/(PRESCALER+1)$). Must be written when RTC is stopped.
CC[0]	0x540	Compare register.
CC[1]	0x544	Compare register.
CC[2]	0x548	Compare register.
CC[3]	0x54C	Compare register.

18.2.1 EVTEN

Bit number	31	30	29	28	27	26	25	24	23	22	21	20	19	18	17	16	15	14	13	12	11	10	9	8	7	6	5	4	3	2	1	0	
ID (Field ID)	-	-	-	-	-	-	-	-	-	-	-	-	F	E	D	C	-	-	-	-	-	-	-	-	-	-	-	-	-	-	-	B	A
Reset value	0	0	0	0	0	0	0	0	0	0	0	0	0	0	0	0	0	0	0	0	0	0	0	0	0	0	0	0	0	0	0	0	
ID	RW	Field	Value ID	Value	Description																												
A	RW	TICK			Enable or disable routing of TICK event to PPI.																												
			1	1	Enable																												
			0	0	Disable																												
B	RW	OVERFLOW			Enable or disable routing of OVRFLW event to PPI.																												
			1	1	Enable																												
			0	0	Disable																												
C	RW	COMPARE0			Enable or disable routing of COMPARE[0]event to PPI.																												
			1	1	Enable																												
			0	0	Disable																												
D	RW	COMPARE1			Enable or disable routing of COMPARE[1]event to PPI.																												
			1	1	Enable																												
			0	0	Disable																												
E	RW	COMPARE2			Enable or disable routing of COMPARE[2]event to PPI.																												
			1	1	Enable																												
			0	0	Disable																												
F	RW	COMPARE3			Enable or disable routing of COMPARE[3]event to PPI.																												
			1	1	Enable																												
			0	0	Disable																												

18.2.2 EVTENSET

Bit number	31	30	29	28	27	26	25	24	23	22	21	20	19	18	17	16	15	14	13	12	11	10	9	8	7	6	5	4	3	2	1	0	
ID (Field ID)	-	-	-	-	-	-	-	-	-	-	-	-	F	E	D	C	-	-	-	-	-	-	-	-	-	-	-	-	-	-	-	B	A
Reset value	0	0	0	0	0	0	0	0	0	0	0	0	0	0	0	0	0	0	0	0	0	0	0	0	0	0	0	0	0	0	0	0	0
ID	RW	Field	Value ID	Value	Description																												
A		TICK			Enable routing of TICK event to PPI.																												
	W			1	Enable																												
	R		EVTEN.0		Readback bit 0 of EVTEN																												
B		OVRFLW			Enable routing of OVRFLW event to PPI.																												
	W			1	Enable																												
	R		EVTEN.1		Readback bit 1 of EVTEN																												
C		COMPARE0			Enable routing of COMPARE[0] event to PPI.																												
	W			1	Enable																												
	R		EVTEN.16		Readback bit 16 of EVTEN																												
D		COMPARE1			Enable routing of COMPARE[1] event to PPI.																												
	W			1	Enable																												
	R		EVTEN.17		Readback bit 17 of EVTEN																												
E		COMPARE2			Enable routing of COMPARE[2] event to PPI.																												
	W			1	Enable																												
	R		EVTEN.18		Readback bit 18 of EVTEN																												
F		COMPARE3			Enable routing of COMPARE[3] event to PPI.																												
	W			1	Enable																												
	R		EVTEN.19		Readback bit 19 of EVTEN																												

18.2.6 CC[N] (n=0..3)

Bit number	31	30	29	28	27	26	25	24	23	22	21	20	19	18	17	16	15	14	13	12	11	10	9	8	7	6	5	4	3	2	1	0	
ID (Field ID)	-	-	-	-	-	-	-	-	A	A	A	A	A	A	A	A	A	A	A	A	A	A	A	A	A	A	A	A	A	A	A	A	A
Reset value	0	0	0	0	0	0	0	0	0	0	0	0	0	0	0	0	0	0	0	0	0	0	0	0	0	0	0	0	0	0	0	0	0
ID	RW	Field	Value	ID	Value	Description																											
A						Compare value																											

19 Watchdog timer (WDT)

19.1 Functional description

The watchdog is implemented as a down-counter that generates a TIMEOUT event when it wraps over after counting down to 0. The watchdog timer is started by triggering the START task, whereupon the watchdog counter is loaded with the value specified in the CRV register. This counter is also reloaded with the value specified in the CRV register when a reload request is granted.

The counter reload value is specified in the CRV register, and the timer is started using the START task.

The watchdog's timeout period is given by:

$$\frac{CRV + 1}{32768} [s]$$

When started, the watchdog will automatically force the 32.768 kHz RC oscillator on.

19.1.1 Reload criteria

The watchdog has 8 separate reload request registers which shall be used to request the watchdog to reload its counter with the value specified in the CRV register. To reload the watchdog counter, the special value 0x6E524635 needs to be written to all enabled reload registers. One or more RR registers can be individually enabled via the RREN register.

19.1.2 Temporarily pausing the watchdog

By default the watchdog will be active counting down the down-counter while the CPU is sleeping and when it is halted by the debugger. It is however possible to configure the watchdog to automatically pause while the CPU is sleeping as well as when it is halted by the debugger.

19.1.3 Watchdog reset

A TIMEOUT event will automatically lead to a watchdog reset equivalent to a system reset, see **Chapter 11 "Power management (POWER)"** on page 40. If the watchdog is configured to generate an interrupt on the TIMEOUT event, the watchdog reset will be postponed with two 32.768 kHz clock cycles after the TIMEOUT event has been generated. Once the TIMEOUT event has been generated, the impending watchdog reset will always be effectuated.

The watchdog must be configured before it is started. After it is started, the watchdog's configuration registers, which comprises registers CRV, RREN, and CONFIG, will be blocked for further configuration.

The watchdog is reset when the device is put into System OFF mode. The watchdog is also reset when the whole system is reset, except for when the system is reset through a soft reset, see **Chapter 11 "Power management (POWER)"** on page 40 for more information about reset types.

When the device starts running again, after a reset, or waking up from OFF mode, the watchdog configuration registers will be available for configuration again.

19.2 Registers

Register	Offset	Description
TASKS		
START	0x000	Start the watchdog
EVENTS		
TIMEOUT	0x100	Watchdog timeout
REGISTERS		
INTENSET	0x304	Interrupt enable set register
INTENCLR	0x308	Interrupt enable clear register
RUNSTATUS	0x400	Run status
REQSTATUS	0x404	Request status
CRV	0x504	Counter reload value
RREN	0x508	Reload request enable
CONFIG	0x50C	Configuration register
RR[0]	0x600	Reload request 0
RR[1]	0x604	Reload request 1
..
RR[7]	0x61C	Reload request 7

Table 24 Register overview

19.2.1 RUNSTATUS

Bit number	31	30	29	28	27	26	25	24	23	22	21	20	19	18	17	16	15	14	13	12	11	10	9	8	7	6	5	4	3	2	1	0
ID (Field ID)	-	-	-	-	-	-	-	-	-	-	-	-	-	-	-	-	-	-	-	-	-	-	-	-	-	-	-	-	-	-	-	A
Reset value	0	0	0	0	0	0	0	0	0	0	0	0	0	0	0	0	0	0	0	0	0	0	0	0	0	0	0	0	0	0	0	
ID	RW	Field	Value ID	Value	Description																											
A	R			0	Indicates if the watchdog is running. Watchdog is not running.																											
				1	Watchdog is running.																											

19.2.2 REQSTATUS

Bit number	31	30	29	28	27	26	25	24	23	22	21	20	19	18	17	16	15	14	13	12	11	10	9	8	7	6	5	4	3	2	1	0	
ID (Field ID)	-	-	-	-	-	-	-	-	-	-	-	-	-	-	-	-	-	-	-	-	-	-	-	-	-	H	G	F	E	D	C	B	A
Reset value	0	0	0	0	0	0	0	0	0	0	0	0	0	0	0	0	0	0	0	0	0	0	0	0	0	0	0	0	0	0	0	0	1
ID	RW	Field	Value ID	Value	Description																												
A	R	RR0			Request status for RR[0] register																												
			0	0	RR[0] register is not enabled, or are already requesting reload																												
			1	1	RR[0] register is enabled, and are not yet requesting reload																												
B	R	RR1																												
C	R	RR2																												
D	R	RR3																												
R	R	RR4																												
F	R	RR5																												
G	R	RR6																												
H	R	RR7																												

19.2.3 CRV

Bit number	31	30	29	28	27	26	25	24	23	22	21	20	19	18	17	16	15	14	13	12	11	10	9	8	7	6	5	4	3	2	1	0
ID (Field ID)	A	A	A	A	A	A	A	A	A	A	A	A	A	A	A	A	A	A	A	A	A	A	A	A	A	A	A	A	A	A	A	A
Reset value	0	0	0	0	0	0	0	0	0	0	0	0	0	0	0	0	0	0	0	0	0	0	0	0	0	0	0	0	0	0	0	0
ID	RW	Field	Value ID	Value	Description																											
A	RW				Counter reload value in number of cycles of the 32.768 kHz clock																											

19.2.4 RREN

Bit number	31	30	29	28	27	26	25	24	23	22	21	20	19	18	17	16	15	14	13	12	11	10	9	8	7	6	5	4	3	2	1	0		
ID (Field ID)	-	-	-	-	-	-	-	-	-	-	-	-	-	-	-	-	-	-	-	-	-	-	-	-	-	-	H	G	F	E	D	C	B	A
Reset value	0	0	0	0	0	0	0	0	0	0	0	0	0	0	0	0	0	0	0	0	0	0	0	0	0	0	0	0	0	0	0	0	0	1
ID	RW	Field	Value ID	Value	Description																													
A	RW	RR0			Enable or disable RR[0] register																													
			0	0	Disable RR[0] register																													
			1	1	Enable RR[0] register																													
B	RW	RR1																													
C	RW	RR2																													
D	RW	RR3																													
R	RW	RR4																													
F	RW	RR5																													
G	RW	RR6																													
H	RW	RR7																													

19.2.5 CONFIG

Bit number	31	30	29	28	27	26	25	24	23	22	21	20	19	18	17	16	15	14	13	12	11	10	9	8	7	6	5	4	3	2	1	0	
ID (Field ID)	-	-	-	-	-	-	-	-	-	-	-	-	-	-	-	-	-	-	-	-	-	-	-	-	-	-	-	-	-	B	-	-	A
Reset value	0	0	0	0	0	0	0	0	0	0	0	0	0	0	0	0	0	0	0	0	0	0	0	0	0	0	0	0	0	0	0	1	
ID	RW	Field	Value ID	Value	Description																												
A	RW	SLEEP			Configure the watchdog to either be paused, or kept running, while the CPU is sleeping.																												
			PAUSE	0	Pause watchdog while the CPU is sleeping.																												
			RUN	1	Keep the watchdog running while the CPU is sleeping.																												
B	RW	HALT			Configure the watchdog to either be paused, or kept running, while the CPU is halted by the debugger.																												
			PAUSE	0	Pause watchdog while the CPU is halted by the debugger.																												
			RUN	1	Keep the watchdog running while the CPU is halted by the debugger.																												

19.2.6 RR[n] (n=0..7)

Bit number	31	30	29	28	27	26	25	24	23	22	21	20	19	18	17	16	15	14	13	12	11	10	9	8	7	6	5	4	3	2	1	0
ID (Field ID)	A	A	A	A	A	A	A	A	A	A	A	A	A	A	A	A	A	A	A	A	A	A	A	A	A	A	A	A	A	A	A	
Reset value	0	0	0	0	0	0	0	0	0	0	0	0	0	0	0	0	0	0	0	0	0	0	0	0	0	0	0	0	0	0	0	
ID	RW	Field	Value ID	Value	Description																											
A	W				Reload request register																											

20 Random Number Generator (RNG)

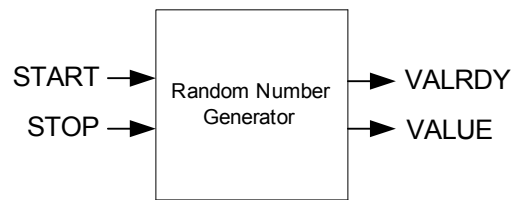


Figure 46 Random Number Generator

20.1 Functional description

The Random Number Generator (RNG) generates true non-deterministic random numbers based on internal thermal noise.

The RNG is started by triggering the START task. When started, new random numbers are generated continuously and written to the VALUE register when ready. A VALRDY event is generated for every new random number that is written to the VALUE register.

20.1.1 Digital error correction

A digital corrector algorithm is employed on the internal bit stream to remove any bias toward '1' or '0'. The bits are then queued into an 8 bit register for parallel readout from the VALUE register.

It is possible to disable the bias in the CONFIG register. This offers a substantial speed advantage, but may result in a statistical distribution that is not perfectly uniform.

20.1.2 Speed

The time needed to generate one random byte of data is unpredictable, and may vary from one byte to the next. This is especially true when digital error correction is enabled.

20.2 Registers

Register	Offset	Description
TASKS		
START	0x000	Task starting the random number generator.
STOP	0x004	Task stopping the random number generator.
EVENTS		
VALRDY	0x100	Event being generated for every new random number written to the VALUE register.
REGISTERS		
SHORTS	0x200	Shortcut register.
INTENSET	0x304	Interrupt enable set register.
INTENCLR	0x308	Interrupt enable clear register.
CONFIG	0x504	Configuration register.
VALUE	0x508	Output random number.

Table 25 Register overview

20.2.1 SHORTS

Bit number	31 30 29 28 27 26 25 24 23 22 21 20 19 18 17 16 15 14 13 12 11 10 9 8 7 6 5 4 3 2 1 0																														
ID (Field ID)	- A																														
Reset value	0 0																														
ID	RW	Field	Value ID	Value	Description																										
A	RW	VALRDY_STOP			Shortcut between VALRDY event and STOP task.																										
				0	Disable																										
				1	Enable																										

20.2.2 VALUE

Bit number	31 30 29 28 27 26 25 24 23 22 21 20 19 18 17 16 15 14 13 12 11 10 9 8 7 6 5 4 3 2 1 0																														
ID (Field ID)	- A A A A A A A A																														
Reset value	0 0																														
ID	RW	Field	Value ID	Value	Description																										
A	R			[0..255]	Generated random number.																										

20.2.3 CONFIG

Bit number	31	30	29	28	27	26	25	24	23	22	21	20	19	18	17	16	15	14	13	12	11	10	9	8	7	6	5	4	3	2	1	0
ID (Field ID)	-	-	-	-	-	-	-	-	-	-	-	-	-	-	-	-	-	-	-	-	-	-	-	-	-	-	-	-	-	-	-	A
Reset value	0	0	0	0	0	0	0	0	0	0	0	0	0	0	0	0	0	0	0	0	0	0	0	0	0	0	0	0	0	0	0	0
ID	RW	Field	Value ID	Value	Description																											
A	RW	DERCEN			Digital error correction																											
				0	Disabled																											
				1	Enabled																											

21 Temperature sensor (TEMP)

21.1 Functional description

The temperature sensor measures the silicon die temperature.

The TEMP is started by triggering the START task. When the temperature measurement is completed, a DATARDY event will be generated and the result of the measurement can be read from the TEMP register.

When the temperature measurement is completed, the TEMP analog electronics power down to save power.

The TEMP only supports one-shot operation, meaning that every TEMP measurement has to be explicitly started using the START task.

21.2 Registers

Register	Offset	Description
TASKS		
START	0x000	Start temperature measurement.
STOP	0x004	Stop temperature measurement.
EVENTS		
DATARDY	0x100	Temperature measurement complete, data ready.
REGISTERS		
INTENSET	0x304	Interrupt enable set register.
INTENCLR	0x308	Interrupt enable clear register.
TEMP	0x508	Temperature.

Table 26 Register overview

21.2.1 TEMP

Bit number	31	30	29	28	27	26	25	24	23	22	21	20	19	18	17	16	15	14	13	12	11	10	9	8	7	6	5	4	3	2	1	0				
R	A	A	A	A	A	A	A	A	A	A	A	A	A	A	A	A	A	A	A	A	A	A	A	A	A	A	A	A	A	A	A					
Reset value	0	0	0	0	0	0	0	0	0	0	0	0	0	0	0	0	0	0	0	0	0	0	0	0	0	0	0	0	0	0	0					
ID Field	Value		Description																																	
A			Result of temperature measurement. Die temperature in °C, 2's complement format, 0.25 °C precision. Decision point: DATARDY.																																	

22 AES Electronic Codebook Mode Encryption (ECB)

22.1 Functional description

AES ECB is a single AES block encrypt hardware module.

AES ECB features:

- 128 bit AES encryption
- Supports standard AES ECB block encryption
- Memory pointer support
- DMA data transfer

AES ECB performs a 128 bit AES block encrypt. At the STARTECB task, data and key is loaded into the algorithm by EasyDMA. When output data has been written back to memory, the ENDECB event is triggered.

AES ECB can be stopped by triggering the STOPECB task.

22.1.1 EasyDMA

The ECB implements an EasyDMA mechanism for reading and writing to and from the RAM. When the ENDECB or ERRORECB is generated EasyDMA stops accessing the RAM.

22.1.2 ECB Data Structure

Input to the block encrypt and output from the block encrypt are stored in the same data structure. ECBDATAPTR should point to this data structure before STARTECB is initiated.

Property	Address offset	Description
KEY	0	16 byte AES key
CLEARTEXT	16	16 byte AES cleartext input block
CIPHERTEXT	32	16 byte AES ciphertext output block

Table 27 ECB data structure overview

22.1.3 Shared resources

The ECB, CCM, and AAR share the same AES module. The ECB will always have lowest priority and if there is a sharing conflict during encryption, the ECB operation will be aborted and an ERRORECB event will be generated.

22.2 Registers

Register	Offset	Description
TASKS		
STARTECB	0x000	Start ECB block encrypt. If a crypto operation is already running in the AES core, the STARTECB task will not start a new encryption and an ERRORECB event will be triggered.
STOPECB	0x004	Abort a possible executing ECB operation. If a running ECB operation is aborted by STOPECB, the ERRORECB event is triggered.
EVENTS		
ENDECB	0x100	ECB block encrypt complete.
ERRORECB	0x104	ECB block encrypt aborted because of a STOPECB task or due to an error.
REGISTERS		
INTENSET	0x304	Interrupt enable set register.
INTENCLR	0x308	Interrupt enable clear register.
ECBDATAPTR	0x504	ECB block encrypt memory pointers.

Table 28 Register overview

22.2.1 ECBDATAPTR

Bit number	31	30	29	28	27	26	25	24	23	22	21	20	19	18	17	16	15	14	13	12	11	10	9	8	7	6	5	4	3	2	1	0
ID (Field ID)	A	A	A	A	A	A	A	A	A	A	A	A	A	A	A	A	A	A	A	A	A	A	A	A	A	A	A	A	A	A	A	
Reset value	0	0	0	0	0	0	0	0	0	0	0	0	0	0	0	0	0	0	0	0	0	0	0	0	0	0	0	0	0	0	0	
ID	A																															
RW																																
Field	Value ID	Value																									Description					
A																											Pointer to the ECB data structure (see Table 27 on page 122)					

23 AES CCM Mode Encryption (CCM)

23.1 Functional description

The AES CCM supports three operations: key-stream generation, packet encryption, and packet decryption. All these operations are done in compliance with the *Bluetooth* specification¹. A new key-stream must be generated before a new packet encryption or packet decryption operation can be started.

A key-stream is generated by triggering the KSGEN task. An ENDKSGEN event will be generated when the new key-stream has been generated. The key-stream will be stored in the AES CCM's temporary memory area, specified by the SCRATCHPTR, where it will be used in subsequent encryption and decryption operations.

Encryption is started by triggering the CRYPT task with the MODE register set to ENCRYPTION. Similarly, decryption is started by triggering the same task with MODE set to DECRYPTION. An ENDCRYPT event will be generated when packet encryption is completed as well as when packet decryption is completed, see *Figure 47*.

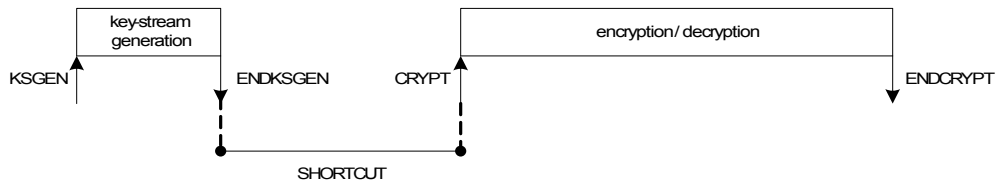


Figure 47 Key-stream generation followed by encryption or decryption. The shortcut is optional.

Key-stream generation, packet encryption, and packet decryption operations utilize the configuration specified in the data structure pointed to by the CNFPTR pointer. It is necessary to configure this pointer and its underlying data structure, and the MODE register before the KSGEN task is triggered. It is also necessary to configure the INPTR pointer and the OUTPTR pointer before the CRYPT task is triggered.

If a shortcut is used between ENDKSGEN event and CRYPT task, the INPTR pointer and the OUTPTR pointer must be configured before the KSGEN task is triggered.

23.1.1 Encryption

During packet encryption the AES CCM will read the unencrypted packet located in RAM at the address specified in the INPTR pointer, encrypt the packet and append a four byte long Message Integrity Check (MIC) field to the packet. The AES CCM will also modify the length field of the packet to adjust for the appended MIC field, that is, add four bytes to the length, and store the resulting packet back into RAM at the address specified in the OUTPTR pointer, see *Figure 48* on page 125.

Empty packets (length field is set to 0) will not be encrypted but instead moved unmodified through the AES CCM.

The AES CCM is limited to read maximum 27 bytes of the unencrypted payload (PL) regardless of what is specified in the length field of the unencrypted packet.

1. *Bluetooth* AES CCM 128 bit block encryption, see *Bluetooth* specification Version 4.0.

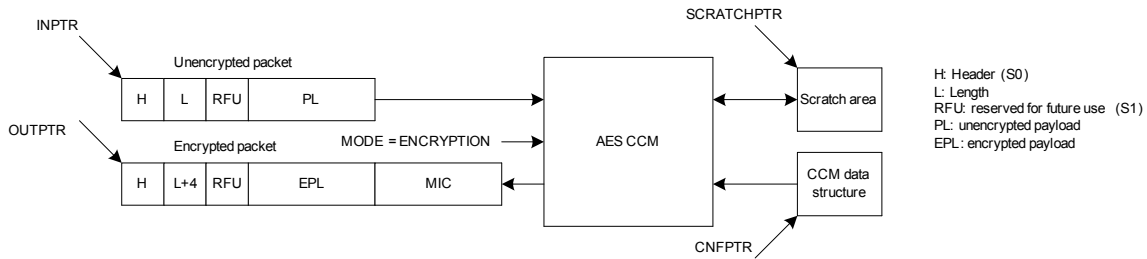


Figure 48 Encryption

23.1.2 Decryption

During packet decryption the AES CCM will read the encrypted packet located in RAM at the address specified in the INPTR pointer, decrypt the packet, authenticate the packet's MIC field and generate the appropriate MIC status. The AES CCM will also modify the length field of the packet to adjust for the MIC field, that is, subtract four bytes from the length, and then store the decrypted packet back into RAM at the address pointed to by the OUTPTR pointer, see **Figure 49**.

The CCM is only able to decrypt packets that are at least 5 bytes long, that is, 1 byte encrypted payload (EPL) and 4 bytes of MIC. The CCM will therefore generate a MIC error for packets where the length field is set to 1, 2, 3 or 4.

Empty packets (length field is set to 0) will not be decrypted but instead moved unmodified through the AES CCM, these packets will always pass the MIC check.

The AES CCM is limited to read maximum 27 bytes of the encrypted payload and four bytes of the MIC regardless of what is specified in the length field of the encrypted packet.

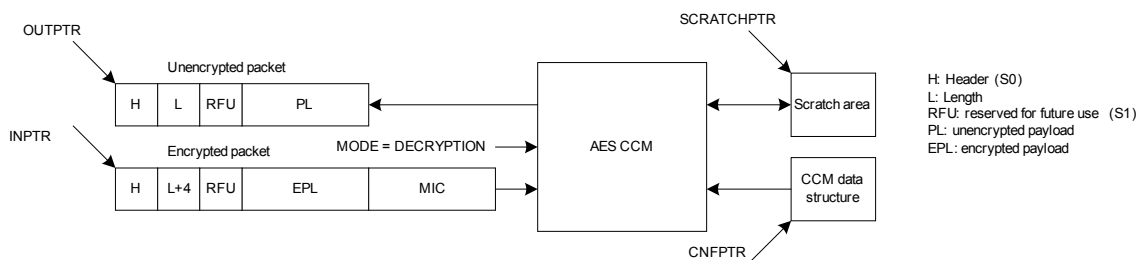


Figure 49 Decryption

23.1.3 AES CCM and RADIO concurrent operation

The AES CCM is designed to run in parallel with the RADIO to enable on-the-fly encryption and decryption of RADIO packets without CPU involvement. To facilitate this, the RADIO has to be configured with the following settings:

Radio parameter	Value	Description
PCNF0.S0LEN	1	S0 field = 1 byte. Must match with the HEADER property in the data structure associated with INPTR and OUTPTR, see <i>Table 31</i> on page 129 and <i>Table 32</i> on page 129
PCNF0.LFLEN	5	Length field = 5 bit. Must match with the LENGTH property in the data structure associated with INPTR and OUTPTR, see <i>Table 31</i> on page 129 and <i>Table 32</i> on page 129
PCNF0.S1LEN	3	S1 field = 3 bit. Must match with the RFU property in the data structure associated with INPTR and OUTPTR, see <i>Table 31</i> on page 129 and <i>Table 32</i> on page 129
MODE	1_MBIT_QPSK	1 Mbps data rate
PCNF1.BALEN	3	Length of address (32 bit)
CRCCNF.LEN	3	Length of CRC (24 bit)

Table 29 Radio configuration settings

23.1.4 Encrypting packets on-the-fly in radio transmit mode

When the AES CCM is encrypting a packet on-the-fly at the same time as the RADIO is transmitting it, the RADIO must read the encrypted packet from the same memory location as the AES CCM is writing to. The OUTPTR pointer in the AES CCM must therefore point to the same memory location as the PACKETPTR pointer in the RADIO, see *Figure 50*.

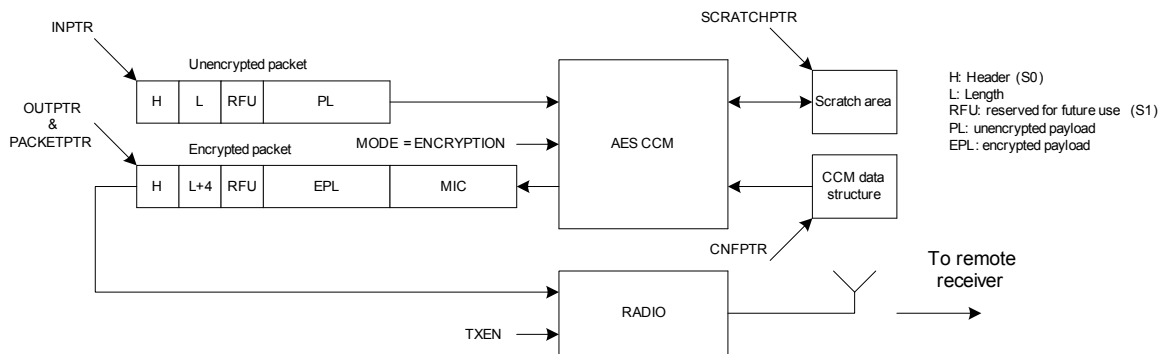


Figure 50 Configuration of on-the-fly encryption

In order to match the RADIO's timing, the KSGEN task must be triggered no later than when the START task in the RADIO is triggered, in addition the shortcut between the ENDKSGEN event and the CRYPT task must be enabled. This use-case is illustrated in *Figure 51* on page 127 using a PPI connection between the READY event in the RADIO and the KSGEN task in the AES CCM.

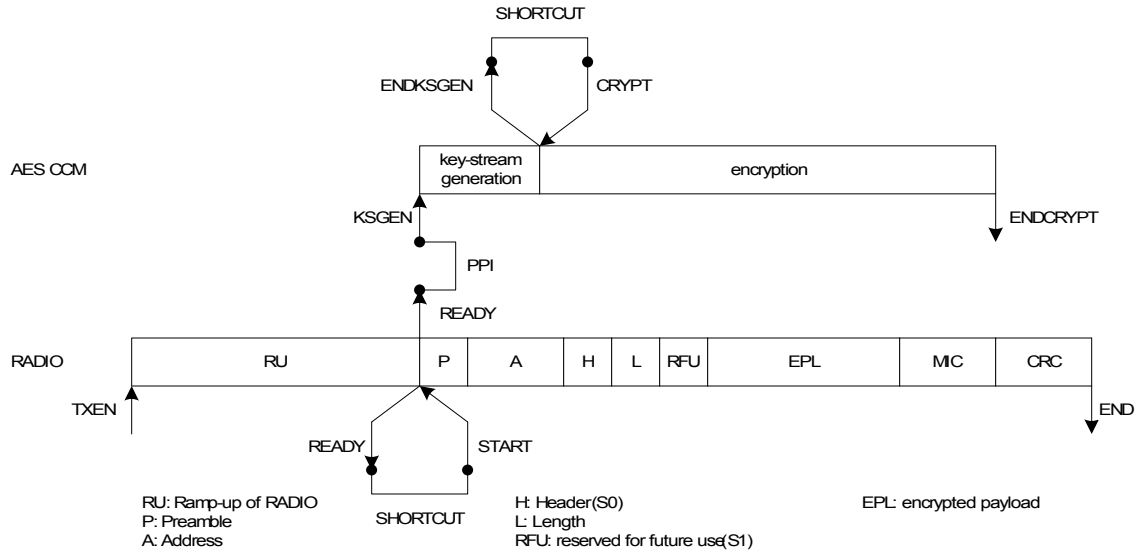


Figure 51 On-the-fly encryption using a PPI connection

23.1.5 Decrypting packets on-the-fly in radio receive mode

When the AES CCM is decrypting a packet on-the-fly at the same time as the RADIO is receiving it, the AES CCM must read the encrypted packet from the same memory location as the RADIO is writing to. The INPTR in the AES CCM must therefore point to the same memory location as the PACKETPTR pointer in the RADIO, see *Figure 52*.

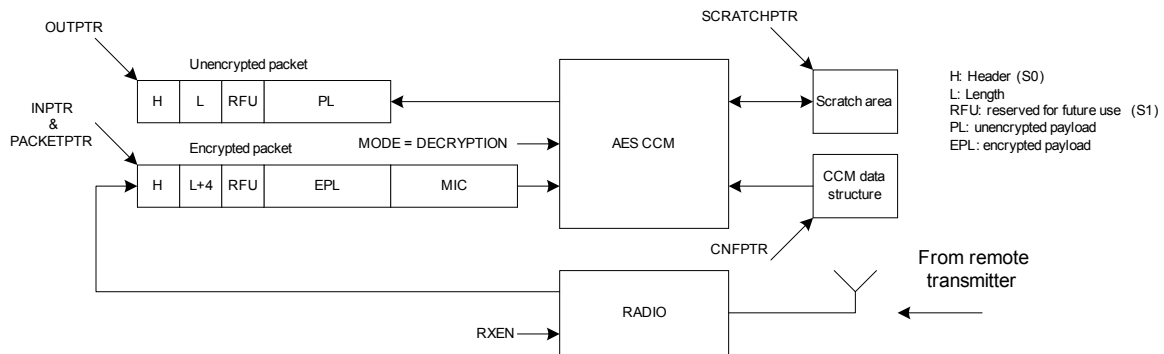


Figure 52 Configuration of on-the-fly decryption

In order to match the RADIO's timing, the KSGEN task must be triggered no later than when the START task in the RADIO is triggered. In addition, the CRYPT task must be triggered no earlier than when the ADDRESS event is generated by the RADIO.

If the CRYPT task is triggered exactly at the same time as the ADDRESS event is generated by the RADIO, the AES CCM will guarantee that the decryption is completed no later than when the END event in the RADIO is generated.

This use-case is illustrated in **Figure 53** using a PPI connection between the ADDRESS event in the RADIO and the CRYPT task in the AES CCM. The KSGEN task is trigger from the READY event in the RADIO through a PPI connection.

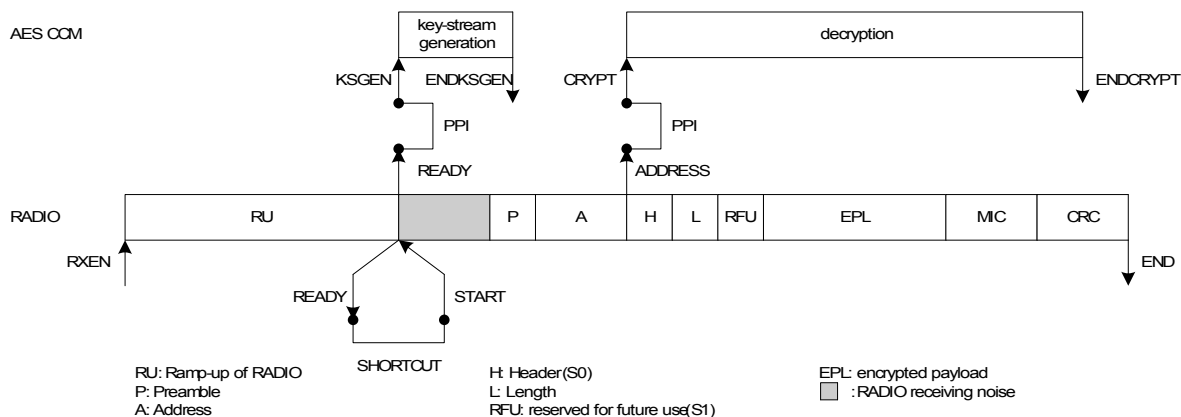


Figure 53 On-the-fly decryption using a PPI connection between the READY event in the RADIO and the KSGEN task in the AES CCM

23.1.6 CCM data structure

The CCM data structure specified in **Table 30** is located in RAM at the memory location specified by the CNFPTR pointer register.

Property	Address offset	Description
KEY	0	16 byte AES key
PKTCTR	16	Octet0 (LSO) of packet counter
	17	Octet1 of packet counter
	18	Octet2 of packet counter
	19	Octet3 of packet counter
	20	Bit 6 – Bit 0: Octet4 (7 most significant bits of packet counter, with Bit 6 being the most significant bit) Bit7: Ignored
	21	Ignored
	22	Ignored
	23	Ignored
DIRECTION	24	Bit 0: Direction bit Bit 7 – Bit 1: Zero padded
IV	25	8 byte initialization vector (IV) Octet0 (LSO) of IV, Octet1 of IV, ... , Octet7 (MSO) of IV

Table 30 CCM data structure overview

The NONCE vector (as specified by the *Bluetooth Core Specification*) will be generated by hardware based on the information specified in the CNFPTR data structure.

Property	Address offset	Description
HEADER	0	Packet Header
LENGTH	1	Number of bytes in unencrypted payload
RFU	2	Reserved Future Use
PAYLOAD	3	0 to 27 bytes unencrypted payload

Table 31 Data structure for unencrypted packet

Property	Address offset	Description
HEADER	0	Packet Header
LENGTH	1	Number of bytes in encrypted payload including length of MIC Note: LENGTH will be 0 for empty packets since the MIC is not added to empty packets
RFU	2	Reserved Future Use
PAYLOAD	3	0 to 27 bytes encrypted payload
MIC	3 + payload length	ENCRYPT: 4 bytes encrypted MIC Note: MIC is not added to empty packets

Table 32 Data structure for encrypted packet

23.1.7 EasyDMA and ERROR event

The CCM implements an EasyDMA mechanism for reading and writing to the RAM.

In some scenarios where the CPU and other DMA enabled peripherals are accessing the RAM at the same time, the CCM DMA could experience some bus conflicts which may also result in an error during encryption. If this happens, the ERROR event will be generated.

EasyDMA finishes accessing the RAM when the ENDKSGEN and ENDCRYPT events are generated.

23.1.8 Shared resources

The CCM shares registers and other resources with other peripherals that have the same ID as the CCM. The user must therefore disable all peripherals that have the same ID as the CCM before the CCM can be configured and used. Disabling a peripheral that have the same ID as the CCM will not reset any of the registers that are shared with the CCM. It is therefore important to configure all relevant CCM registers explicitly to secure that it operates correctly.

The Instantiation table, *Table 3* on page 13, shows which peripherals have the same ID as the CCM.

23.2 Registers

Register	Offset	Description
TASKS		
KSGEN	0x000	Start generation of key-stream. This operation will stop by itself when completed.
CRYPT	0x004	Start encryption/decryption. This operation will stop by itself when completed.
STOP	0x008	Stop encryption/decryption
EVENTS		
ENDKSGEN	0x100	Key-stream generation complete
ENDCRYPT	0x104	Encrypt/decrypt complete
ERROR	0x108	CCM error event
REGISTERS		
SHORTS	0x200	Shortcut register
INTENSET	0x304	Interrupt enable set register
INTENCLR	0x308	Interrupt enable clear register
MICSTATUS	0x400	MIC check result
ENABLE	0x500	Enable
MODE	0x504	Operation mode
CNFPTR	0x508	Pointer to data structure holding AES key and NONCE vector
INPTR	0x50C	Input pointer
OUTPTR	0x510	Output pointer
SCRATCHPTR	0x521	Pointer to data area used for temporary storage

23.2.1 SHORTS

Bit number	31	30	29	28	27	26	25	24	23	22	21	20	19	18	17	16	15	14	13	12	11	10	9	8	7	6	5	4	3	2	1	0	
ID (Field ID)	-	-	-	-	-	-	-	-	-	-	-	-	-	-	-	-	-	-	-	-	-	-	-	-	-	-	-	-	-	-	-	-	A
Reset value	0	0	0	0	0	0	0	0	0	0	0	0	0	0	0	0	0	0	0	0	0	0	0	0	0	0	0	0	0	0	0	0	
ID	RW	Field	Value ID	Value	Description																												
A	RW	ENDKSGEN_ CRYPT		0	Short-cut between ENDKSGEN event and CRYPT task																												
				1	Disable Enable																												

23.2.2 MICSTATUS

Bit number	31	30	29	28	27	26	25	24	23	22	21	20	19	18	17	16	15	14	13	12	11	10	9	8	7	6	5	4	3	2	1	0	
ID (Field ID)	-	-	-	-	-	-	-	-	-	-	-	-	-	-	-	-	-	-	-	-	-	-	-	-	-	-	-	-	-	-	-	-	A
Reset value	0	0	0	0	0	0	0	0	0	0	0	0	0	0	0	0	0	0	0	0	0	0	0	0	0	0	0	0	0	0	0	0	
ID	RW	Field	Value ID	Value	Description																												
A	R			0	The result of the MIC check performed during the previous decryption operation.																												
				1	MIC check failed MIC check passed																												

23.2.8 SCRATCHPTR

Bit number	31 30 29 28 27 26 25 24 23 22 21 20 19 18 17 16 15 14 13 12 11 10 9 8 7 6 5 4 3 2 1 0
ID (Field ID)	A A
Reset value	0 0

ID	RW	Field	Value ID	Value	Description
A					<p>Pointer to a 'scratch' data area used for temporary storage during key-stream generation, MIC generation and encryption/decryption.</p> <p>The scratch area is used for temporary storage of data during key-stream generation and encryption. A space of minimum 43 bytes must be reserved.</p>

24 Accelerated Address Resolver (AAR)

24.1 Functional description

24.1.1 Resolving a resolvable address

A private resolvable address shall be composed of 6 bytes as illustrated in *Figure 54*.

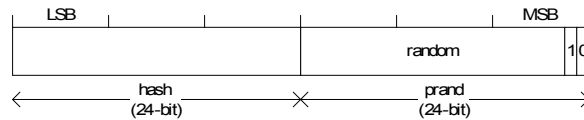


Figure 54 Resolvable address

To resolve an address the ADDRPTR pointer must point to the least significant byte (LSB) of the resolvable address offset by 3 bytes to accommodate the packet header. The resolver is started by triggering the START task. A RESOLVED event is generated when and if the AAR manages to resolve the address using one of the Identity Resolving Keys (IRK) found in the IRK data structure. The AAR will use the IRK specified in the register IRK0 to IRK15 starting from IRK0. How many to be used is specified by the NIRK register. The AAR module will generate a NOTRESOLVED event if it is not able to resolve the address using the specified list of IRKs.

The AAR will go through the list of available IRKs in the IRK data structure and for each IRK try to resolve the address according to the Resolvable Private Address Resolution Procedure described in the Bluetooth Specification². The time it takes to resolve an address may vary depending on where in the list the resolvable address is located. The resolution time will also be affected by RAM accesses performed by other peripherals and the CPU. See product specification for more information about resolution time.

The AAR will not distinguish between public and random addresses. The AAR will also not distinguish between static and private addresses, or between private resolvable and private non-resolvable addresses.

The AAR will stop as soon as it has managed to resolve the address, or after trying to resolve the address using NIRK number of IRKs from the IRK data structure. The AAR will generate an END event after it has stopped.

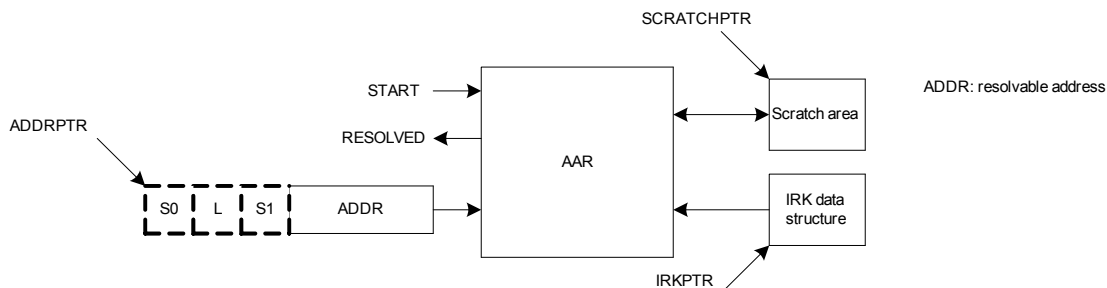


Figure 55 Address resolution with packet preloaded into RAM

2. Bluetooth Specification Version 4.0 [Vol 3] chapter 10.8.2.3.

24.1.2 Use case example for chaining RADIO packet reception with resolving addresses with the AAR

The AAR may be started as soon as the 6 bytes required by the AAR has been received by the RADIO and stored in RAM. The ADDRPTR pointer must point to the least significant byte of the resolvable address within the received packet.

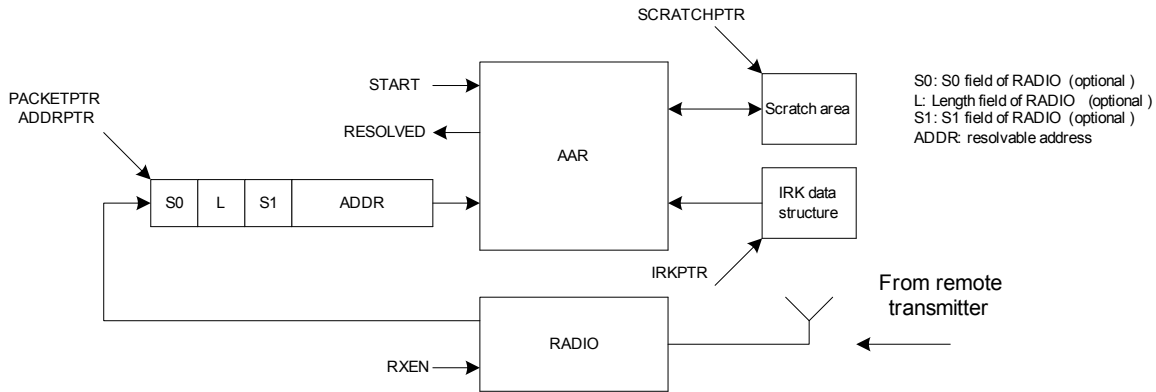


Figure 56 Address resolution with packet loaded into RAM by the RADIO

24.1.3 IRK data structure

The IRK data structure specified in **Table 33** is located in RAM at the memory location specified by the CNFPTR pointer register.

Property	Address offset	Description
IRK0	0	IRK number 0 (16 – byte)
IRK1	16	IRK number 1 (16 – byte)
..
IRK15	240	IRK number 15 (16 – byte)

Table 33 IRK data structure overview

24.1.4 EasyDMA

The AAR implements EasyDMA for reading and writing to the RAM. EasyDMA finishes accessing the RAM when the END, RESOLVED, and NOTRESOLVED events are generated.

24.1.5 Shared resources

The AAR shares registers and other resources with other peripherals that have the same ID as the AAR. The user must therefore disable all peripherals that have the same ID as the AAR before the AAR can be configured and used. Disabling a peripheral that have the same ID as the AAR will not reset any of the registers that are shared with the AAR. It is therefore important to configure all relevant AAR registers explicitly to secure that it operates correctly. The Instantiation table, **Table 3** on page 13, shows which peripherals have the same ID as the AAR.

24.2 Registers

Register	Offset	Description
TASKS		
START	0x000	Start resolving addresses based on IRKs specified in the IRK data structure
STOP	0x008	Stop resolving addresses
EVENTS		
END	0x100	Address resolution procedure complete
RESOLVED	0x104	Address resolved
NOTRESOLVED	0x108	Address not resolved
REGISTERS		
INTENSET	0x304	Interrupt enable set register
INTENCLR	0x308	Interrupt enable clear register
STATUS	0x400	Resolution status
ENABLE	0x500	Enable AAR
NIRK	0x504	Number of IRKs
IRKPTR	0x508	Pointer to IRK data structure
ADDPTR	0x510	Pointer to the resolvable address
SCRATCHPTR	0x514	Pointer to data area used for temporary storage

24.2.1 STATUS

Bit number	31	30	29	28	27	26	25	24	23	22	21	20	19	18	17	16	15	14	13	12	11	10	9	8	7	6	5	4	3	2	1	0				
ID (Field ID)	-	-	-	-	-	-	-	-	-	-	-	-	-	-	-	-	-	-	-	-	-	-	-	-	-	-	-	-	-	-	-	-	A	A	A	A
Reset value	0	0	0	0	0	0	0	0	0	0	0	0	0	0	0	0	0	0	0	0	0	0	0	0	0	0	0	0	0	0	0	0	0	0		
ID	RW	Field	Value ID	Value	Description																															
A	R		0..15		The IRK that was used last time an address was resolved																															

24.2.2 ENABLE

Bit number	31	30	29	28	27	26	25	24	23	22	21	20	19	18	17	16	15	14	13	12	11	10	9	8	7	6	5	4	3	2	1	0				
ID (Field ID)	-	-	-	-	-	-	-	-	-	-	-	-	-	-	-	-	-	-	-	-	-	-	-	-	-	-	-	-	-	-	-	-	-	-	A	A
Reset value	0	0	0	0	0	0	0	0	0	0	0	0	0	0	0	0	0	0	0	0	0	0	0	0	0	0	0	0	0	0	0	0	0	0	0	
ID	RW	Field	Value ID	Value	Description																															
A	RW			0	Enable or disable AAR																															
				3	Disable																															
					Enable																															

24.2.3 NIRK

Bit number	31	30	29	28	27	26	25	24	23	22	21	20	19	18	17	16	15	14	13	12	11	10	9	8	7	6	5	4	3	2	1	0																
ID (Field ID)	-	-	-	-	-	-	-	-	-	-	-	-	-	-	-	-	-	-	-	-	-	-	-	-	-	-	-	-	-	-	-	-	-	-	A	A	A	A	A									
Reset value	0	0	0	0	0	0	0	0	0	0	0	0	0	0	0	0	0	0	0	0	0	0	0	0	0	0	0	0	0	0	0	0	0	0	0	0	0	0	0	0	0	0	0	0	0	0	0	1
ID	RW	Field	Value ID	Value	Description																																											
A	RW			1..16	Number of identity root keys available in the IRK data structure																																											

24.2.4 IRKPTR

Bit number	31	30	29	28	27	26	25	24	23	22	21	20	19	18	17	16	15	14	13	12	11	10	9	8	7	6	5	4	3	2	1	0																
ID (Field ID)	A	A	A	A	A	A	A	A	A	A	A	A	A	A	A	A	A	A	A	A	A	A	A	A	A	A	A	A	A	A	A	A	A	A	A	A	A	A	A	A	A	A	A	A	A	A		
Reset value	0	0	0	0	0	0	0	0	0	0	0	0	0	0	0	0	0	0	0	0	0	0	0	0	0	0	0	0	0	0	0	0	0	0	0	0	0	0	0	0	0	0	0	0	0	0	0	0
ID	RW	Field	Value ID	Value	Description																																											
A	RW				Pointer to the IRK data structure																																											

24.2.5 ADDRPTR

Bit number	31	30	29	28	27	26	25	24	23	22	21	20	19	18	17	16	15	14	13	12	11	10	9	8	7	6	5	4	3	2	1	0																
ID (Field ID)	A	A	A	A	A	A	A	A	A	A	A	A	A	A	A	A	A	A	A	A	A	A	A	A	A	A	A	A	A	A	A	A	A	A	A	A	A	A	A	A	A	A	A	A	A	A		
Reset value	0	0	0	0	0	0	0	0	0	0	0	0	0	0	0	0	0	0	0	0	0	0	0	0	0	0	0	0	0	0	0	0	0	0	0	0	0	0	0	0	0	0	0	0	0	0	0	0
ID	RW	Field	Value ID	Value	Description																																											
A	RW				Pointer to resolvable address (6 bytes)																																											

24.2.6 SCRATCHPTR

Bit number	31	30	29	28	27	26	25	24	23	22	21	20	19	18	17	16	15	14	13	12	11	10	9	8	7	6	5	4	3	2	1	0																	
ID (Field ID)	A	A	A	A	A	A	A	A	A	A	A	A	A	A	A	A	A	A	A	A	A	A	A	A	A	A	A	A	A	A	A	A	A	A	A	A	A	A	A	A	A	A	A	A	A	A	A	A	
Reset value	0	0	0	0	0	0	0	0	0	0	0	0	0	0	0	0	0	0	0	0	0	0	0	0	0	0	0	0	0	0	0	0	0	0	0	0	0	0	0	0	0	0	0	0	0	0	0	0	0
ID	RW	Field	Value ID	Value	Description																																												
A	RW				Pointer to a 'scratch' data are used for temporary storage during resolution																																												
					A space of minimum 3 bytes must be reserved																																												

25 Serial Peripheral Interface (SPI) Master

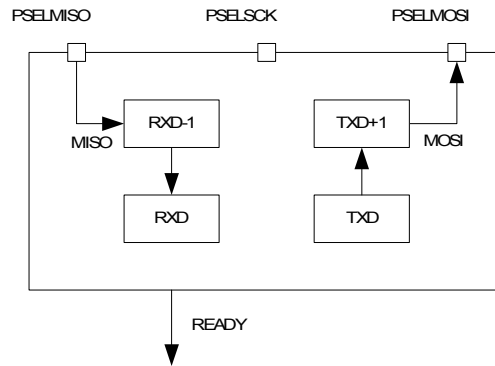


Figure 57 SPI master

Note: RXD-1 and TXD+1 illustrate the double buffered version of RXD and TXD respectively.

25.1 SPI master - functional description

The SPI master provides a simple CPU interface which includes a TXD register for sending data and an RXD register for receiving data. These registers are double buffered to enable some degree of uninterrupted data flow in and out of the SPI master. The SPI master does not implement support for chip select directly. Therefore, the CPU must use available GPIOs to select the correct slave and control this independently of the SPI master. The SPI master supports SPI modes 0 through 3.

25.1.1 SPI master mode pin configuration

The different signals SCK, MOSI, and MISO associated with the SPI master are mapped to physical pins according to the configuration specified in the PSELSCK, PSELMOSI, and PSELMISO registers respectively. If a value of 0xFFFFFFFF is specified in any of these registers, the associated SPI master signal is not connected to any physical pin. The PSELSCK, PSELMOSI, and PSELMISO registers and their configurations are only used as long as the SPI master is enabled, and retained only as long as the device is in ON mode.

To secure correct behavior in the SPI, the pins used by the SPI must be configured in the GPIO peripheral as described in **Table 34** prior to enabling the SPI. The SCK must always be connected to a pin, and that pin's input buffer must always be connected for the SPI to work. This configuration must be retained in the GPIO for the selected IOs as long as the SPI is enabled.

Only one peripheral can be assigned to drive a particular GPIO pin at a time, failing to do so may result in unpredictable behavior.

SPI master signal	SPI master pin	Direction	Output value
SCK	As specified in PSELSCK	Output	Same as CONFIG.CPOL
MOSI	As specified in PSELMOSI	Output	0
MISO	As specified in PSELMISO	Input	Not applicable

Table 34 GPIO configuration

25.1.2 Shared resources

The SPI shares registers and other resources with other peripherals that have the same ID as the SPI. The user must therefore disable all peripherals that have the same ID as the SPI before the SPI can be configured and used. Disabling a peripheral that have the same ID as the SPI will not reset any of the registers that are shared with the SPI. It is therefore important to configure all relevant SPI registers explicitly to secure that it operates correctly.

The Instantiation table in **Section 4.2 “Instantiation”** on page 13 shows which peripherals have the same ID as the SPI.

25.1.3 SPI master transaction sequence

An SPI master transaction is started by writing the first byte, which is to be transmitted by the SPI master, to the TXD register. Since the transmitter is double buffered, the second byte can be written to the TXD register immediately after the first one. The SPI master will then send these bytes in the order they are written to the TXD register.

The SPI master is a synchronous interface, and for every byte that is sent, a different byte will be received at the same time; this is illustrated in **Figure 58**. Bytes that are received will be moved to the RXD register where the CPU can extract them by reading the register. The RXD register is double buffered in the same way as the TXD register, and a second byte can therefore be received at the same time as the first byte is being extracted from RXD by the CPU. The SPI master will generate a READY event every time a new byte is moved to the RXD register. The double buffered byte will be moved from RXD-1 to RXD as soon as the first byte is extracted from RXD. The SPI master will stop when there are no more bytes to send in TXD and TXD+1.

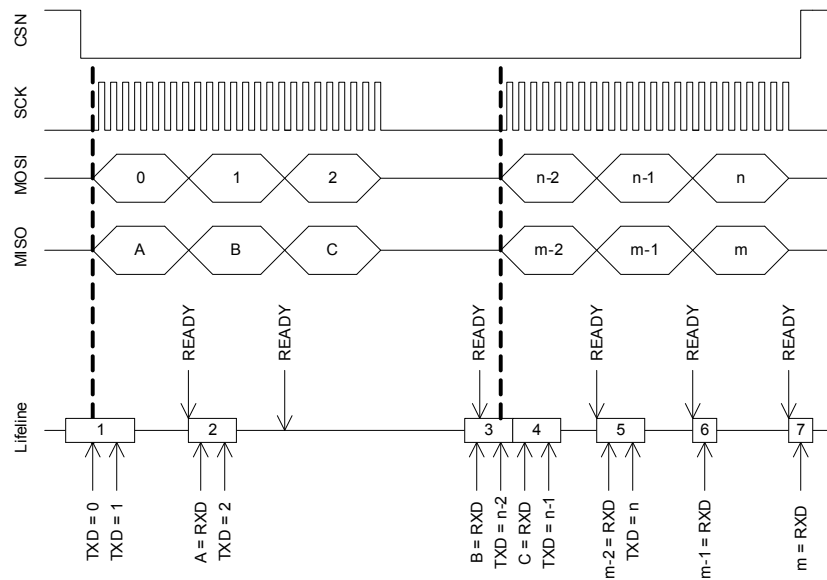


Figure 58 SPI master transaction.

The READY event of the third byte transaction is delayed until B is extracted from RXD in occurrence number 3 on the horizontal lifeline. The reason for this is that the third event is generated first when C is moved from RXD-1 to RXD after B is read.

The SPI master will move the incoming byte to the RXD register after a short delay following the SCK clock period of the last bit in the byte. This also means that the READY event will be delayed accordingly, see **Figure 59**. Therefore, it is important that you always clear the READY event, even if the RXD register and the data that is being received is not used.

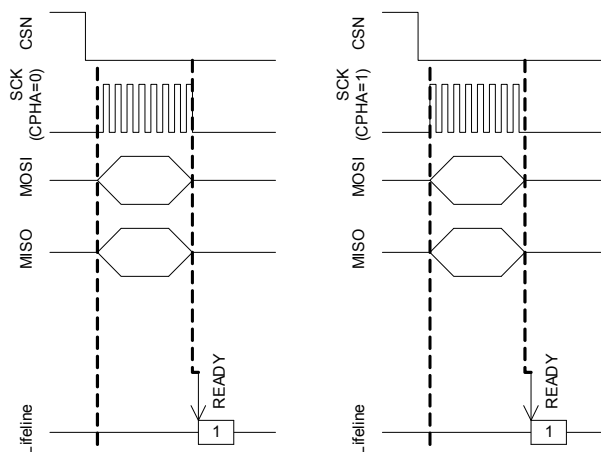


Figure 59 READY event timing details for SPI master mode for CPHA = 0 and CPHA = 1.

25.2 Registers

Register	Offset	Description
EVENTS		
READY	0x108	TXD byte sent and RXD byte received
REGISTERS		
INTENSET	0x304	Interrupt enable set register
INTENCLR	0x308	Interrupt enable clear register
ENABLE	0x500	Enable SPI
PSELCK	0x508	Pin select for SCK
PSELMOSI	0x50C	Pin select for MOSI
PSELMISO	0x510	Pin select for MISO
RXD	0x518	RXD register
TXD	0x51C	TXD register
FREQUENCY	0x524	SPI frequency
CONFIG	0x554	Configuration register

Table 35 Register overview

25.2.1 RXD

Bit number	31	30	29	28	27	26	25	24	23	22	21	20	19	18	17	16	15	14	13	12	11	10	9	8	7	6	5	4	3	2	1	0		
ID (Field ID)	-	-	-	-	-	-	-	-	-	-	-	-	-	-	-	-	-	-	-	-	-	-	-	-	-	-	A	A	A	A	A	A	A	A
Reset value	0	0	0	0	0	0	0	0	0	0	0	0	0	0	0	0	0	0	0	0	0	0	0	0	0	0	0	0	0	0	0	0	0	
ID	RW	Field	Value ID	Value	Description																													
A	RW				RX data received. Double buffered.																													

25.2.2 TXD

Bit number	31	30	29	28	27	26	25	24	23	22	21	20	19	18	17	16	15	14	13	12	11	10	9	8	7	6	5	4	3	2	1	0							
ID (Field ID)	-	-	-	-	-	-	-	-	-	-	-	-	-	-	-	-	-	-	-	-	-	-	-	-	-	-	-	-	-	-	-	-	A	A	A	A	A	A	A
Reset value	0	0	0	0	0	0	0	0	0	0	0	0	0	0	0	0	0	0	0	0	0	0	0	0	0	0	0	0	0	0	0	0	0	0	0	0	0	0	0
ID	RW	Field	Value ID	Value	Description																																		
A	RW				TX data to send. Double buffered																																		

25.2.3 ENABLE

Bit number	31	30	29	28	27	26	25	24	23	22	21	20	19	18	17	16	15	14	13	12	11	10	9	8	7	6	5	4	3	2	1	0					
ID (Field ID)	0	0	0	0	0	0	0	0	0	0	0	0	0	0	0	0	0	0	0	0	0	0	0	0	0	0	0	0	0	0	0	0	A	A	A		
Reset value	0	0	0	0	0	0	0	0	0	0	0	0	0	0	0	0	0	0	0	0	0	0	0	0	0	0	0	0	0	0	0	0	0	0	0	0	0
ID	RW	Field	Value ID	Value	Description																																
A	RW				Enable or disable SPI																																
			DISABLE	0	Disable SPI																																
			ENABLE	1	Enable SPI																																

25.2.4 PSELCK

Bit number	31	30	29	28	27	26	25	24	23	22	21	20	19	18	17	16	15	14	13	12	11	10	9	8	7	6	5	4	3	2	1	0				
ID (Field ID)	A	A	A	A	A	A	A	A	A	A	A	A	A	A	A	A	A	A	A	A	A	A	A	A	A	A	A	A	A	A	A	A	A	A	A	A
Reset value	1	1	1	1	1	1	1	1	1	1	1	1	1	1	1	1	1	1	1	1	1	1	1	1	1	1	1	1	1	1	1	1	1	1	1	1
ID	RW	Field	Value ID	Value	Description																															
A					Pin number configuration for SPI SCK signal																															
	RW			[0..31]	Pin number to route the SPI SCK signal to																															
	W			0xFFFFFFFF	Disconnect																															

25.2.5 PSELMOSI

Bit number	31	30	29	28	27	26	25	24	23	22	21	20	19	18	17	16	15	14	13	12	11	10	9	8	7	6	5	4	3	2	1	0
ID (Field ID)	A	A	A	A	A	A	A	A	A	A	A	A	A	A	A	A	A	A	A	A	A	A	A	A	A	A	A	A	A	A	A	A
Reset value	1	1	1	1	1	1	1	1	1	1	1	1	1	1	1	1	1	1	1	1	1	1	1	1	1	1	1	1	1	1	1	
ID	RW	Field	Value ID	Value	Description																											
A					Pin number configuration for SPI MOSI signal																											
	RW			[0..31]	Pin number to route the SPI MOSI signal to																											
	W			0xFFFFFFFF	Disconnect																											

25.2.6 PSELMISO

Bit number	31	30	29	28	27	26	25	24	23	22	21	20	19	18	17	16	15	14	13	12	11	10	9	8	7	6	5	4	3	2	1	0
ID (Field ID)	A	A	A	A	A	A	A	A	A	A	A	A	A	A	A	A	A	A	A	A	A	A	A	A	A	A	A	A	A	A	A	
Reset value	1	1	1	1	1	1	1	1	1	1	1	1	1	1	1	1	1	1	1	1	1	1	1	1	1	1	1	1	1	1	1	
ID	RW	Field	Value ID	Value	Description																											
A					Pin number configuration for SPI master MISO signal																											
	RW			[0..31]	Pin number to route the SPI master MISO signal to																											
	W			0xFFFFFFFF	Disconnect																											

25.2.7 CONFIG

Bit number	31	30	29	28	27	26	25	24	23	22	21	20	19	18	17	16	15	14	13	12	11	10	9	8	7	6	5	4	3	2	1	0		
ID (Field ID)	-	-	-	-	-	-	-	-	-	-	-	-	-	-	-	-	-	-	-	-	-	-	-	-	-	-	-	-	-	-	-	C	B	A
Reset value	0	0	0	0	0	0	0	0	0	0	0	0	0	0	0	0	0	0	0	0	0	0	0	0	0	0	0	0	0	0	0	0	0	
ID	RW	Field	Value ID	Value	Description																													
A	RW	ORDER			Bit order																													
			MSBFIRST	0	Most significant bit shifted out first																													
			LSBFIRST	1	Least significant bit shifted out first																													
B	RW	CPOL			Serial clock (SCK) polarity																													
			ACTIVEHIGH	0	Active high																													
			ACTIVELOW	1	Active low																													
C	RW	CPHA			Serial clock (SCK) phase																													
			LEADING	0	Sample on leading edge of clock, shift serial data on trailing edge																													
			TRAILING	1	Sample on trailing edge of clock, shift serial data on leading edge																													

25.2.8 FREQUENCY

Bit number	31	30	29	28	27	26	25	24	23	22	21	20	19	18	17	16	15	14	13	12	11	10	9	8	7	6	5	4	3	2	1	0
ID (Field ID)	A	A	A	A	A	A	A	A	A	A	A	A	A	A	A	A	A	A	A	A	A	A	A	A	A	A	A	A	A	A	A	A
Reset value	0	0	0	0	0	0	0	0	0	0	0	0	0	0	0	0	0	0	0	0	0	0	0	0	0	0	0	0	0	0	0	0

ID	RW	Field	Value ID	Value	Description
A	RW				SPI master data rate
			K125	0x02000000	125 kbps
			K250	0x04000000	250 kbps
			K500	0x08000000	500 kbps
			M1	0x10000000	1 Mbps
			M2	0x20000000	2 Mbps
			M4	0x40000000	4 Mbps
			M8	0x80000000	8 Mbps

26 SPI Slave (SPIS)

SPIS is a SPI slave with EasyDMA support for ultra low power serial communication from an external SPI master. EasyDMA in conjunction with hardware based semaphore mechanisms removes all real-time requirements associated with controlling the SPI slave from a low priority CPU execution context.

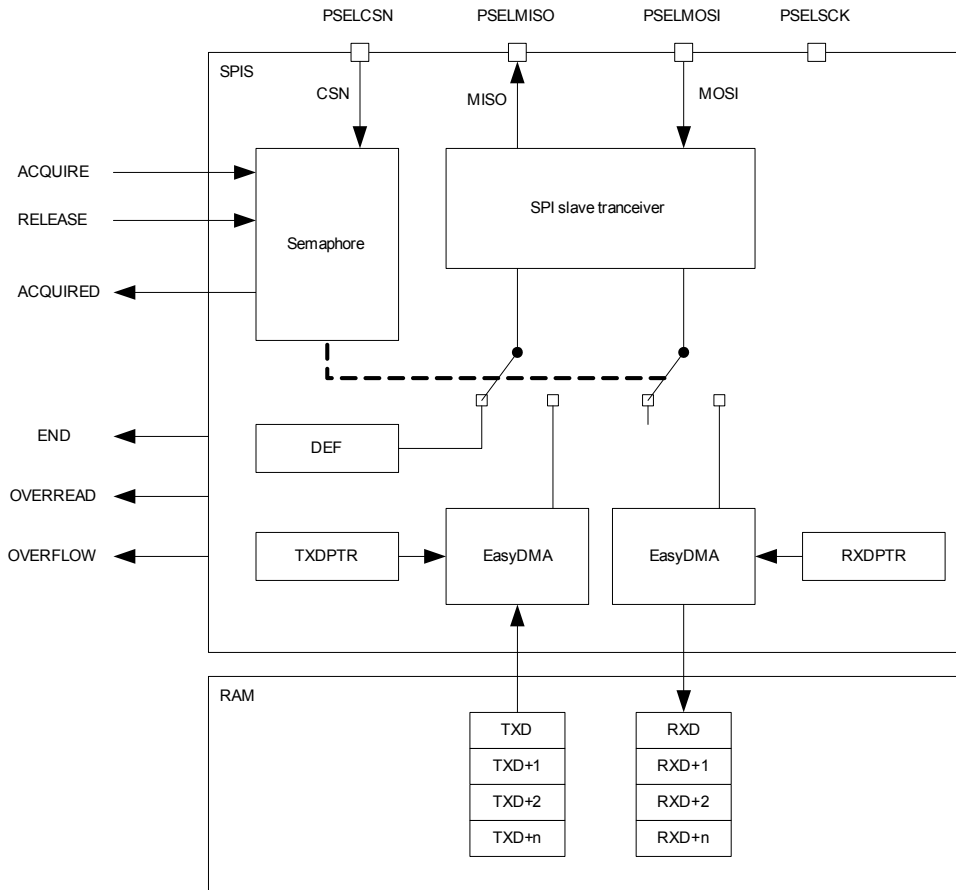


Figure 60 SPI slave

26.1 Pin configuration

The different signals CSN, SCK, MOSI, and MISO associated with the SPI slave are mapped to physical pins according to the configuration specified in the PSELCSN, PSELSCK, PSELMOSI, and PSELMISO registers respectively. If a value of 0xFFFFFFFF is specified in any of these registers, the associated SPI slave signal will not be connected to any physical pins.

The PSELCSN, PSELSCK, PSELMOSI, and PSELMISO registers and their configurations are only used as long as the SPI slave is enabled, and retained only as long as the device is in System ON mode, see **Chapter 11 “Power management (POWER)”** on page 40 for more information about power modes.

To secure correct behavior in the SPI slave, the pins used by the SPI slave must be configured in the GPIO peripheral as described in **Table 36** on page 144 prior to enabling the SPI slave. This is to secure that the pins used by the SPI slave are driven correctly if the SPI slave itself is temporarily disabled or the device temporarily enters System OFF. This configuration must be retained in the GPIO for the selected I/Os as long as the SPI slave is to be recognized by an external SPI master.

The MISO line is set in high impedance as long as the SPI slave is not selected with CSN.

Only one peripheral can be assigned to drive a particular GPIO pin at a time, failing to do so may result in unpredictable behavior.

SPI signal	SPI pin	Direction	Output value	Comment
CSN	As specified in PSELCSN	Input	Not applicable	
SCK	As specified in PSELSCK	Input	Not applicable	
MOSI	As specified in PSELMOSI	Input	Not applicable	
MISO	As specified in PSELMISO	Input	Not applicable	Emulates that the SPI slave is not selected.

Table 36 Pin configuration

26.2 Shared resources

The SPI slave shares registers and other resources with other peripherals that have the same ID as the SPI slave. You must, therefore, disable all peripherals that have the same ID as the SPI slave before the SPI slave can be configured and used. Disabling a peripheral that has the same ID as the SPI slave will not reset any of the registers that are shared with the SPI slave. It is important to configure all relevant SPI slave registers explicitly to secure that it operates correctly.

The Instantiation table in *Section 4.2 "Instantiation"* on page 13 shows which peripherals have the same ID as the SPI slave.

26.3 EasyDMA

The SPI Slave implements EasyDMA for reading and writing to and from the RAM. The EasyDMA will have finished accessing the RAM when the END event is generated.

26.4 SPI slave operation

SPI slave uses two memory pointers, RXDPTR and TXDPTR, that point to the RXD buffer (receive buffer) and TXD buffer (transmit buffer) respectively, see *Figure 60* on page 143. Since these buffers are located in RAM, which can be accessed by both the SPI slave and the CPU, a hardware based semaphore mechanism is implemented to enable safe sharing.

Before the CPU can safely update the RXDPTR and TXDPTR pointers it must first acquire the SPI semaphore. The CPU can acquire the semaphore by triggering the ACQUIRE task and then receiving the ACQUIRED event. When the CPU has updated the RXDPTR and TXDPTR pointers the CPU must release the semaphore before the SPI slave will be able to acquire it. The CPU releases the semaphore by triggering the RELEASE task. This is illustrated in *Figure 61* on page 146. Triggering the RELEASE task when the semaphore is not granted to the CPU will have no effect.

The semaphore mechanism does not, at any time, prevent the CPU from performing read or write access to the RXDPTR register, the TXDPTR registers, or the RAM that these pointers are pointing to. The semaphore is only telling when these can be updated by the CPU so that safe sharing is achieved.

The semaphore is by default assigned to the CPU after the SPI slave is enabled. No ACQUIRED event will be generated for this initial semaphore handover. An ACQUIRED event will be generated immediately if the ACQUIRE task is triggered while the semaphore is assigned to the CPU.

The SPI slave will try to acquire the semaphore when CSN goes low. If the SPI slave does not manage to acquire the semaphore at this point, the transaction will be ignored. This means that all incoming data on

MOSI will be discarded, and the DEF (default) character will be clocked out on the MISO line throughout the whole transaction. This will also be the case even if the semaphore is released by the CPU during the transaction. In case of a race condition where the CPU and the SPI slave try to acquire the semaphore at the same time, as illustrated in lifeline item 2 in **Figure 61** on page 146, the semaphore will be granted to the CPU.

If the SPI slave acquires the semaphore, the transaction will be granted. The incoming data on MOSI will be stored in the RXD buffer and the data in the TXD buffer will be clocked out on MISO.

When a granted transaction is completed and CSN goes high, the SPI slave will automatically release the semaphore and generate the END event.

As long as the semaphore is available the SPI slave can be granted multiple transactions one after the other. If the CPU is not able to reconfigure the TXDPTR and RXDPTR between granted transactions, the same TX data will be clocked out and the RX buffers will be overwritten. To prevent this from happening, the END_ACQUIRE shortcut can be used. With this shortcut enabled the semaphore will be handed over to the CPU automatically after the granted transaction has completed, giving the CPU the ability to update the TXDPTR and RXDPTR between every granted transaction.

If the CPU tries to acquire the semaphore while it is assigned to the SPI slave, an immediate handover will not be granted. However, the semaphore will be handed over to the CPU as soon as the SPI slave has released the semaphore after the granted transaction is completed. If the END_ACQUIRE shortcut is enabled and the CPU has triggered the ACQUIRE task during a granted transaction, only one ACQUIRE request will be served following the END event.

The MAXRX register specifies the maximum number of bytes the SPI slave can receive in one granted transaction. If the SPI slave receives more than MAXRX number of bytes, an OVERFLOW will be indicated in the STATUS register and the incoming bytes will be discarded.

The MAXTX parameter specifies the maximum number of bytes the SPI slave can transmit in one granted transaction. If the SPI slave is forced to transmit more than MAXTX number of bytes, an OVERREAD will be indicated in the STATUS register and the ORC character will be clocked out.

The AMOUNTRX and AMOUNTTX registers are updated when a granted transaction is completed. The AMOUNTTX register indicates how many bytes were read from the TX buffer in the last transaction, that is, ORC (over-read) characters are not included in this number. Similarly, the AMOUNTRX register indicates how many bytes were written into the RX buffer in the last transaction.

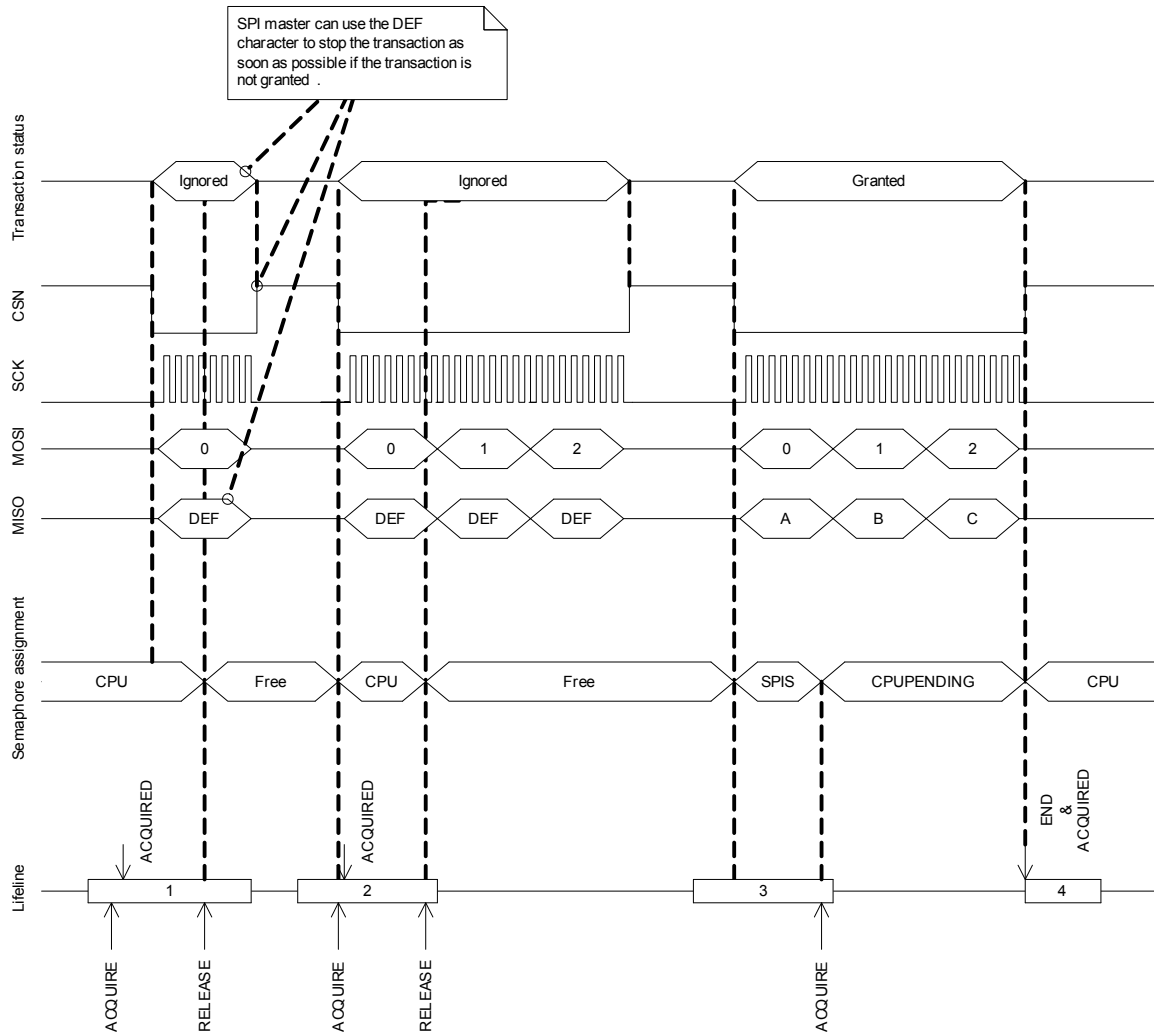


Figure 61 SPI transaction when shortcut between END and ACQUIRE is enabled.

26.5 Registers

Register	Offset	Description	Support
TASKS			
ACQUIRE	0x024	Acquire SPI semaphore.	S
RELEASE	0x028	Release SPI semaphore, enabling the SPI slave to acquire it.	S
EVENTS			
END	0x104	Granted transaction completed.	S
ACQUIRED	0x128	Semaphore acquired.	S
REGISTERS			
SHORTS	0x200	Shortcut for the SPI slave.	S
INTENSET	0x304	Interrupt enable set register.	S
INTENCLR	0x308	Interrupt enable clear register.	S
SEMSTAT	0x400	Semaphore status register.	S
STATUS	0x440	Status from last transaction.	S
ENABLE	0x500	Enable SPI slave.	S
PSELCK	0x508	Pin select for SCK.	S
PSELMISO	0x50C	Pin select for MISO.	S
PSELMOSI	0x510	Pin select for MOSI.	S
PSELCSN	0x514	Pin select for CSN.	S
RXDPTR	0x534	RXD data pointer.	S
MAXRX	0x538	Maximum number of bytes in receive buffer.	S
AMOUNTRX	0x53C	Number of bytes received in last granted transaction.	S
TXDPTR	0x544	TXD data pointer.	S
MAXTX	0x548	Maximum number of bytes in transmit buffer.	S
AMOUNTTX	0x54C	Number of bytes transmitted in last granted transaction.	S
CONFIG	0x554	Configuration register.	S
DEF	0x55C	Default character. Character clocked out in case of an ignored transaction.	S
ORC	0x5C0	Over-read character. Character clocked out after an over-read of the transmit buffer.	S

Table 37 Register overview

26.5.1 SHORTS

Bit number	31	30	29	28	27	26	25	24	23	22	21	20	19	18	17	16	15	14	13	12	11	10	9	8	7	6	5	4	3	2	1	0	
ID (Field ID)	-	-	-	-	-	-	-	-	-	-	-	-	-	-	-	-	-	-	-	-	-	-	-	-	-	-	-	-	-	-	A	-	-
Reset value	0	0	0	0	0	0	0	0	0	0	0	0	0	0	0	0	0	0	0	0	0	0	0	0	0	0	0	0	0	0	0	0	
ID	RW	Field	Value ID	Value	Description																												
A	RW	END_ACQUIRE			Enable or disable shortcut between END event and ACQUIRE task.																												

26.5.2 ENABLE

Bit number	31	30	29	28	27	26	25	24	23	22	21	20	19	18	17	16	15	14	13	12	11	10	9	8	7	6	5	4	3	2	1	0	
ID (Field ID)	0	0	0	0	0	0	0	0	0	0	0	0	0	0	0	0	0	0	0	0	0	0	0	0	0	0	0	0	0	0	A	A	A
Reset value	0	0	0	0	0	0	0	0	0	0	0	0	0	0	0	0	0	0	0	0	0	0	0	0	0	0	0	0	0	0	0	0	0
ID	RW	Field	Value ID	Value	Description																												
A	RW		DISABLE	0	Enable or disable SPI slave																												
			ENABLE	2	Disable SPI slave																												
					Enable SPI slave																												

26.5.3 SEMSTAT

Bit number	31	30	29	28	27	26	25	24	23	22	21	20	19	18	17	16	15	14	13	12	11	10	9	8	7	6	5	4	3	2	1	0	
ID (Field ID)	-	-	-	-	-	-	-	-	-	-	-	-	-	-	-	-	-	-	-	-	-	-	-	-	-	-	-	-	-	-	-	A	A
Reset value	0	0	0	0	0	0	0	0	0	0	0	0	0	0	0	0	0	0	0	0	0	0	0	0	0	0	0	0	0	0	0	0	1
ID	RW	Field	Value ID	Value	Description																												
A	R		Free	0	Semaphore status.																												
			CPU	1	Semaphore is free.																												
			SPIS	2	Semaphore is assigned to CPU.																												
			CPUENDING	3	Semaphore is assigned to SPI slave.																												
					Semaphore is assigned to SPI but a handover to the CPU is pending.																												

26.5.4 STATUS

Individual status bits are cleared by writing a '1' to the bits that shall be cleared.

Bit number	31	30	29	28	27	26	25	24	23	22	21	20	19	18	17	16	15	14	13	12	11	10	9	8	7	6	5	4	3	2	1	0	
ID (Field ID)	-	-	-	-	-	-	-	-	-	-	-	-	-	-	-	-	-	-	-	-	-	-	-	-	-	-	-	-	-	-	-	B	A
Reset value	0	0	0	0	0	0	0	0	0	0	0	0	0	0	0	0	0	0	0	0	0	0	0	0	0	0	0	0	0	0	0	0	
ID	RW	Field	Value ID	Value	Description																												
A	RW	OVERREAD			TX buffer over-read detected and prevented.																												
B	RW	OVERFLOW			RX buffer overflow detected and prevented.																												

26.5.5 RXDPTR

Bit number	31	30	29	28	27	26	25	24	23	22	21	20	19	18	17	16	15	14	13	12	11	10	9	8	7	6	5	4	3	2	1	0
ID (Field ID)	A	A	A	A	A	A	A	A	A	A	A	A	A	A	A	A	A	A	A	A	A	A	A	A	A	A	A	A	A	A	A	A
Reset value	0	0	0	0	0	0	0	0	0	0	0	0	0	0	0	0	0	0	0	0	0	0	0	0	0	0	0	0	0	0	0	0
ID	RW	Field	Value ID	Value	Description																											
A	RW				RXD data pointer																											

26.5.6 TXDPTR

Bit number	31	30	29	28	27	26	25	24	23	22	21	20	19	18	17	16	15	14	13	12	11	10	9	8	7	6	5	4	3	2	1	0	
ID (Field ID)	A	A	A	A	A	A	A	A	A	A	A	A	A	A	A	A	A	A	A	A	A	A	A	A	A	A	A	A	A	A	A	A	A
Reset value	0	0	0	0	0	0	0	0	0	0	0	0	0	0	0	0	0	0	0	0	0	0	0	0	0	0	0	0	0	0	0	0	
ID	RW	Field	Value ID	Value	Description																												
A	RW				TXD data pointer																												

26.5.7 PSELCSN

Bit number	31	30	29	28	27	26	25	24	23	22	21	20	19	18	17	16	15	14	13	12	11	10	9	8	7	6	5	4	3	2	1	0
ID (Field ID)	A	A	A	A	A	A	A	A	A	A	A	A	A	A	A	A	A	A	A	A	A	A	A	A	A	A	A	A	A	A	A	A
Reset value	1	1	1	1	1	1	1	1	1	1	1	1	1	1	1	1	1	1	1	1	1	1	1	1	1	1	1	1	1	1	1	1
ID	RW	Field	Value ID	Value	Description																											
A	RW			[0..31]	Pin number configuration for SPI CSN signal. Pin number to route the SPI CSN signal to.																											
	W			0xFFFFFFFF	Disconnect.																											

26.5.8 PSELSCK

Bit number	31	30	29	28	27	26	25	24	23	22	21	20	19	18	17	16	15	14	13	12	11	10	9	8	7	6	5	4	3	2	1	0
ID (Field ID)	A	A	A	A	A	A	A	A	A	A	A	A	A	A	A	A	A	A	A	A	A	A	A	A	A	A	A	A	A	A	A	A
Reset value	1	1	1	1	1	1	1	1	1	1	1	1	1	1	1	1	1	1	1	1	1	1	1	1	1	1	1	1	1	1	1	1
ID	RW	Field	Value ID	Value	Description																											
A	RW			[0..31]	Pin number configuration for SPI SCK signal. Pin number to route the SPI SCK signal to.																											
	W			0xFFFFFFFF	Disconnect.																											

26.5.9 PSELMOSI

Bit number	31	30	29	28	27	26	25	24	23	22	21	20	19	18	17	16	15	14	13	12	11	10	9	8	7	6	5	4	3	2	1	0
ID (Field ID)	A	A	A	A	A	A	A	A	A	A	A	A	A	A	A	A	A	A	A	A	A	A	A	A	A	A	A	A	A	A	A	A
Reset value	1	1	1	1	1	1	1	1	1	1	1	1	1	1	1	1	1	1	1	1	1	1	1	1	1	1	1	1	1	1	1	1
ID	RW	Field	Value ID	Value	Description																											
A	RW			[0..31]	Pin number configuration for SPI MOSI signal. Pin number to route the SPI MOSI signal to.																											
	W			0xFFFFFFFF	Disconnect.																											

26.5.10 PSELMISO

Bit number	31	30	29	28	27	26	25	24	23	22	21	20	19	18	17	16	15	14	13	12	11	10	9	8	7	6	5	4	3	2	1	0
ID (Field ID)	A	A	A	A	A	A	A	A	A	A	A	A	A	A	A	A	A	A	A	A	A	A	A	A	A	A	A	A	A	A	A	A
Reset value	1	1	1	1	1	1	1	1	1	1	1	1	1	1	1	1	1	1	1	1	1	1	1	1	1	1	1	1	1	1	1	
ID	RW	Field	Value ID	Value	Description																											
A	RW			[0..31]	Pin number configuration for SPI MISO signal.																											
	W			0xFFFFFFFF	Pin number to route the SPI MISO signal to. Disconnect.																											

26.5.11 CONFIG

Bit number	31	30	29	28	27	26	25	24	23	22	21	20	19	18	17	16	15	14	13	12	11	10	9	8	7	6	5	4	3	2	1	0		
ID (Field ID)	-	-	-	-	-	-	-	-	-	-	-	-	-	-	-	-	-	-	-	-	-	-	-	-	-	-	-	-	-	-	-	C	B	A
Reset value	0	0	0	0	0	0	0	0	0	0	0	0	0	0	0	0	0	0	0	0	0	0	0	0	0	0	0	0	0	0	0	0	0	
ID	RW	Field	Value ID	Value	Description																													
A	RW	ORDER			Bit order.																													
			MSBFIRST	0	Most significant bit shifted out first.																													
			LSBFIRST	1	Least significant bit shifted out first.																													
B	RW	CPHA			Serial clock (SCK) phase.																													
			LEADING	0	Sample on leading edge of clock, shift serial data on trailing edge.																													
			TRAILING	1	Sample on trailing edge of clock, shift serial data on leading edge.																													
C	RW	CPOL			Serial clock (SCK) polarity.																													
			ACTIVEHIGH	0	Active high.																													
			ACTIVELOW	1	Active low.																													

26.5.12 DEF

Bit number	31	30	29	28	27	26	25	24	23	22	21	20	19	18	17	16	15	14	13	12	11	10	9	8	7	6	5	4	3	2	1	0								
ID (Field ID)	-	-	-	-	-	-	-	-	-	-	-	-	-	-	-	-	-	-	-	-	-	-	-	-	-	-	-	-	-	-	-	-	A	A	A	A	A	A	A	A
Reset value	0	0	0	0	0	0	0	0	0	0	0	0	0	0	0	0	0	0	0	0	0	0	0	0	0	0	0	0	0	0	0	0	0	0	0	0	0	0	0	0
ID	RW	Field	Value ID	Value	Description																																			
A	RW				Default character. Clocked out on MISO during an ignored transaction.																																			

26.5.13 ORC

Bit number	31	30	29	28	27	26	25	24	23	22	21	20	19	18	17	16	15	14	13	12	11	10	9	8	7	6	5	4	3	2	1	0																	
ID (Field ID)	-	-	-	-	-	-	-	-	-	-	-	-	-	-	-	-	-	-	-	-	-	-	-	-	-	-	-	-	-	-	-	-	-	-	-	-	-	-	-	-	A	A	A	A	A	A	A	A	
Reset value	0	0	0	0	0	0	0	0	0	0	0	0	0	0	0	0	0	0	0	0	0	0	0	0	0	0	0	0	0	0	0	0	0	0	0	0	0	0	0	0	0	0	0	0	0	0	0	0	0
ID	RW	Field	Value ID	Value	Description																																												
A	RW				Over-read character. Character clocked out after an over-read of the transmit buffer.																																												

26.5.14 MAXRX

Bit number	31	30	29	28	27	26	25	24	23	22	21	20	19	18	17	16	15	14	13	12	11	10	9	8	7	6	5	4	3	2	1	0		
ID (Field ID)	-	-	-	-	-	-	-	-	-	-	-	-	-	-	-	-	-	-	-	-	-	-	-	-	-	-	A	A	A	A	A	A	A	A
Reset value	0	0	0	0	0	0	0	0	0	0	0	0	0	0	0	0	0	0	0	0	0	0	0	0	0	0	0	0	0	0	0	0	0	
ID	A	RW		Field	Value ID	Value	Description																											
A	RW						Maximum number of bytes in receive buffer.																											

26.5.15 MAXTX

Bit number	31	30	29	28	27	26	25	24	23	22	21	20	19	18	17	16	15	14	13	12	11	10	9	8	7	6	5	4	3	2	1	0		
ID (Field ID)	-	-	-	-	-	-	-	-	-	-	-	-	-	-	-	-	-	-	-	-	-	-	-	-	-	-	-	A	A	A	A	A	A	A
Reset value	0	0	0	0	0	0	0	0	0	0	0	0	0	0	0	0	0	0	0	0	0	0	0	0	0	0	0	0	0	0	0	0	0	
ID	A	RW		Field	Value ID	Value	Description																											
A	RW						Maximum number of bytes in transmit buffer.																											

26.5.16 AMOUNTRX

Bit number	31	30	29	28	27	26	25	24	23	22	21	20	19	18	17	16	15	14	13	12	11	10	9	8	7	6	5	4	3	2	1	0	
ID (Field ID)	-	-	-	-	-	-	-	-	-	-	-	-	-	-	-	-	-	-	-	-	-	-	-	-	-	-	-	A	A	A	A	A	A
Reset value	0	0	0	0	0	0	0	0	0	0	0	0	0	0	0	0	0	0	0	0	0	0	0	0	0	0	0	0	0	0	0	0	
ID	A	RW		Field	Value ID	Value	Description																										
A	RW						Number of bytes received in the last granted transaction.																										

26.5.17 AMOUNTTX

Bit number	31	30	29	28	27	26	25	24	23	22	21	20	19	18	17	16	15	14	13	12	11	10	9	8	7	6	5	4	3	2	1	0	
ID (Field ID)	-	-	-	-	-	-	-	-	-	-	-	-	-	-	-	-	-	-	-	-	-	-	-	-	-	-	-	A	A	A	A	A	A
Reset value	0	0	0	0	0	0	0	0	0	0	0	0	0	0	0	0	0	0	0	0	0	0	0	0	0	0	0	0	0	0	0	0	
ID	A	RW		Field	Value ID	Value	Description																										
A	RW						Number of bytes transmitted in the last granted transaction.																										

27 I²C compatible Two Wire Interface (TWI)

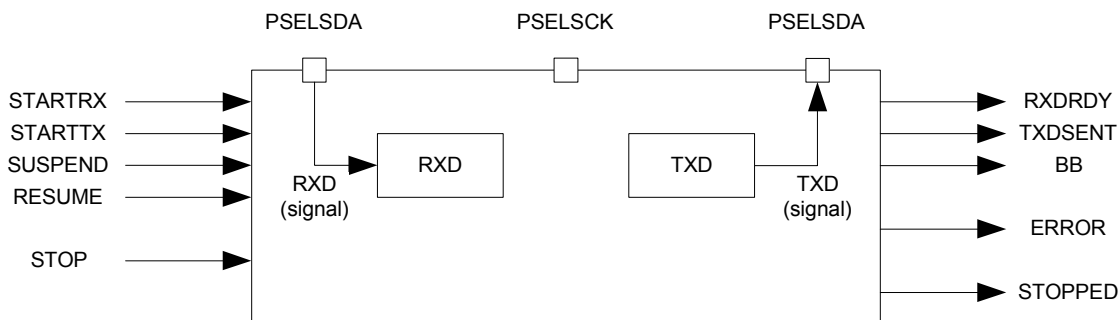


Figure 62 TWI master's main features

27.1 Functional description

The TWI master is compatible with I²C operating at 100 kHz and 400 kHz. This TWI master is not compatible with CBUS. As illustrated in **Figure 62**, the TWI transmitter and receiver are single buffered.

A TWI setup comprising one master and three slaves is illustrated in **Figure 63**. This TWI master is only able to operate as the only master on the TWI bus.

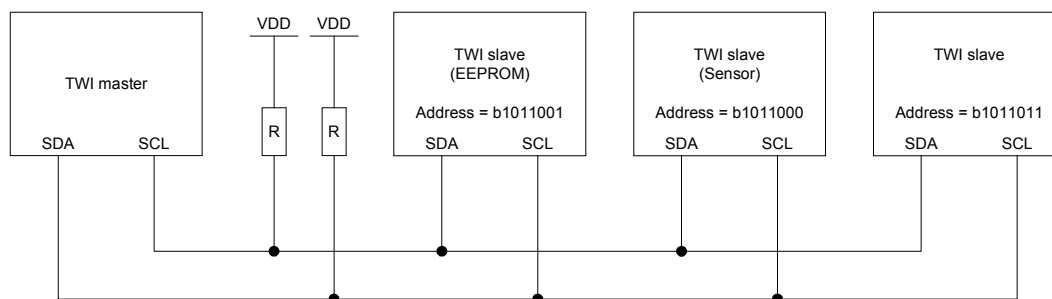


Figure 63 A typical TWI setup comprising one master and three slaves

This TWI master supports clock stretching performed by the slaves. The TWI master is started by triggering the STARTTX or STARTRX tasks, and stopped by triggering the STOP task.

If a NACK is clocked in from the slave, the TWI master will generate an ERROR event.

27.2 Master mode pin configuration

The different signals SCL and SDA associated with the TWI master are mapped to physical pins according to the configuration specified in the PSELSCL and PSELSDA registers respectively. If a value of 0xFFFFFFFF is specified in any of these registers, the associated TWI master signal is not connected to any physical pin. The PSELSCL and PSELSDA registers and their configurations are only used as long as the TWI master is enabled, and retained only as long as the device is in ON mode. To secure correct signal levels on the pins used by the TWI master when the system is in OFF mode, and when the TWI master is disabled, these pins must be configured in the GPIO peripheral as described in **Table 38** on page 153.

Only one peripheral can be assigned to drive a particular GPIO pin at a time, failing to do so may result in unpredictable behavior.

TWI master signal	TWI master pin	Direction	Drive strength	Output value
SCL	As specified in PSELSCL	Input	S0D1	Not applicable
SDA	As specified in PSELSDA	Input	S0D1	Not applicable

Table 38 GPIO configuration

27.3 Shared resources

The TWI shares registers and other resources with other peripherals that have the same ID as the TWI. Therefore, you must disable all peripherals that have the same ID as the TWI before the TWI can be configured and used. Disabling a peripheral that has the same ID as the TWI will not reset any of the registers that are shared with the TWI. It is therefore important to configure all relevant TWI registers explicitly to secure that it operates correctly.

The Instantiation table in *Section 4.2 “Instantiation”* on page 13 shows which peripherals have the same ID as the TWI.

27.4 Master write sequence

A TWI master write sequence is started by triggering the STARTTX task. After the STARTTX task has been triggered, the TWI master will generate a start condition on the TWI bus, followed by clocking out the address and the READ/WRITE bit set to 0 (WRITE=0, READ=1). The address must match the address of the slave device that the master wants to write to. The READ/WRITE bit is followed by an ACK/NACK bit (ACK=0 or NACK=1) generated by the slave.

After receiving the ACK/NACK bit, the TWI master will clock out the data bytes that are written to the TXD register. Each byte clocked out from the master will be followed by an ACK/NACK bit clocked in from the slave. A TXDSENT event will be generated each time the TWI master has clocked out a TXD byte, and the associated ACK/NACK bit has been clocked in from the slave.

The TWI master transmitter is single buffered, and a second byte can only be written to the TXD register after the previous byte has been clocked out and the ACK/NACK bit clocked in, that is, after the TXDSENT event has been generated.

If the CPU is prevented from writing to TXD when the TWI master is ready to clock out a byte, the TWI master will stretch the clock until the CPU has written a byte to the TXD register.

A typical TWI master write sequence is illustrated in *Figure 64* on page 154. Occurrence 3 in *Figure 64* on page 154 illustrates delayed processing of the TXDSENT event associated with TXD byte 1. In this scenario the TWI master will stretch the clock to prevent writing erroneous data to the slave.

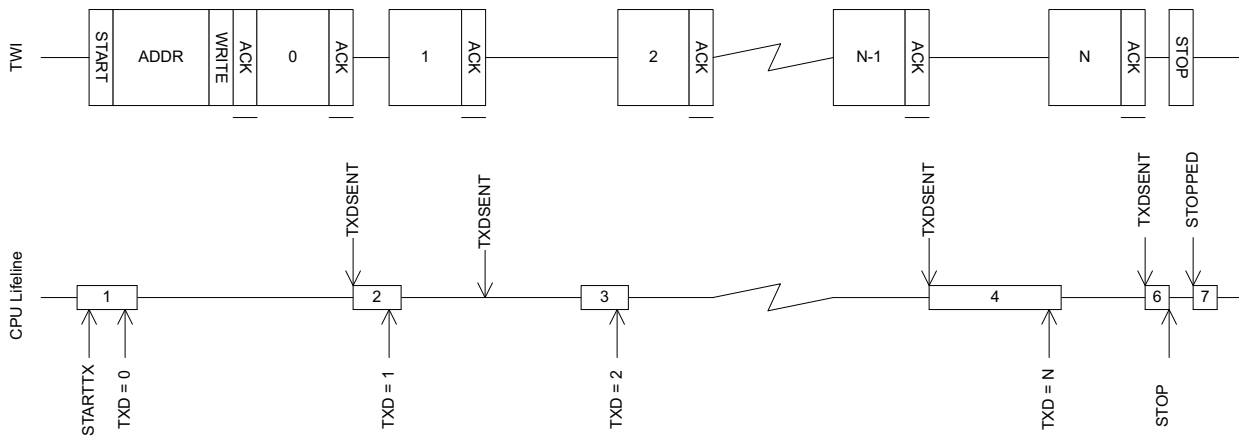


Figure 64 The TWI master writing data to a slave.

The TWI master write sequence is stopped when the STOP task is triggered. When the STOP task is triggered, the TWI master will generate a stop condition on the TWI bus.

27.5 Master read sequence

A TWI master read sequence is started by triggering the STARTRX task. After the STARTRX task has been triggered the TWI master will generate a start condition on the TWI bus, followed by clocking out the address and the READ/WRITE bit set to 1 (WRITE = 0, READ = 1). The address must match the address of the slave device that the master wants to read from. The READ/WRITE bit is followed by an ACK/NACK bit (ACK=0 or NACK = 1) generated by the slave.

After having sent the ACK/NACK bit the TWI slave will send data to the master using the clock generated by the master.

The TWI master will generate a RXDRDY event every time a new byte is received in the RXD register.

After receiving a byte, the TWI master will delay sending the ACK/NACK bit by stretching the clock until the CPU has extracted the received byte, that is, by reading the RXD register.

The TWI master read sequence is stopped by triggering the STOP task. This task must be triggered before the last byte is extracted from RXD to ensure that the TWI master sends a NACK back to the slave before generating the stop condition.

A typical TWI master read sequence is illustrated in *Figure 65* on page 155. Occurrence 3 in *Figure 65* on page 155 illustrates delayed processing of the RXDRDY event associated with RXD byte B. In this scenario the TWI master will stretch the clock to prevent the slave from overwriting the contents of the RXD register.

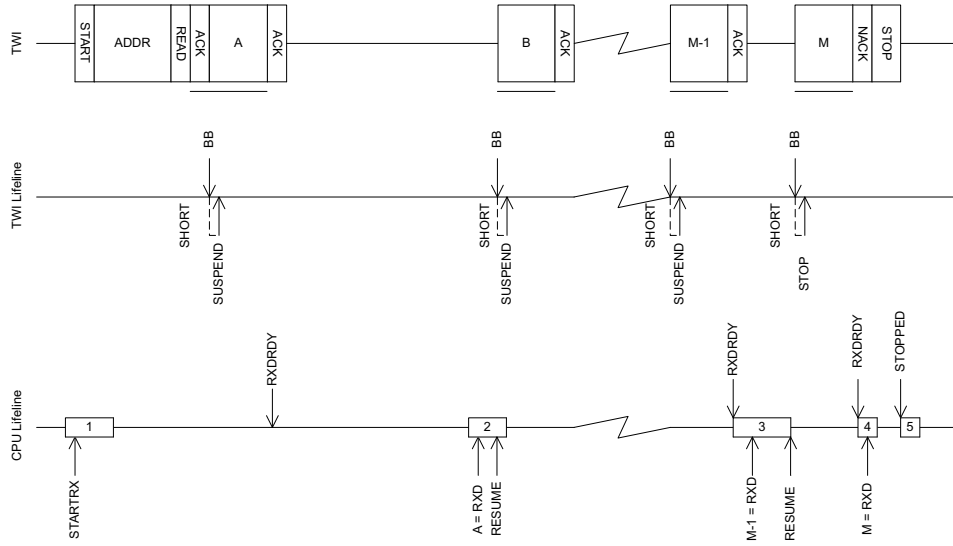


Figure 65 The TWI master reading data from a slave.

27.6 Master repeated start sequence

Figure 66 illustrates a typical repeated start sequence where the TWI master writes one byte to the slave followed by reading M bytes from the slave. Any combination and number of transmit and receive sequences can be combined in this fashion. Only one shortcut to STOP can be enabled at any given time.

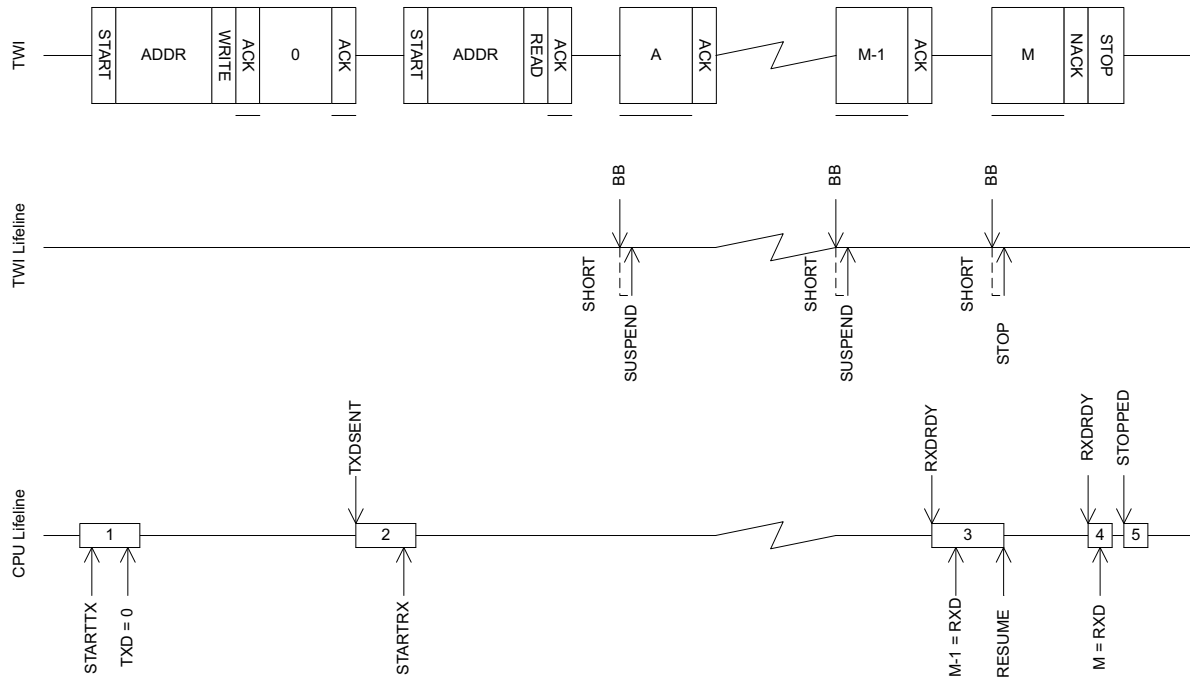


Figure 66 A repeated start sequence, where the TWI master writes one byte, followed by reading M bytes from the slave without performing a stop in-between

To generate a repeated start after a read sequence, a second start task must be triggered instead of the STOP task, that is, STARTRX or STARTTX. This start task must be triggered before the last byte is extracted from RXD to ensure that the TWI master sends a NACK back to the slave before generating the repeated start condition.

27.7 Registers

Register	Offset	Description
TASKS		
STARTRX	0x000	Start TWI receive sequence
STARTTX	0x008	Start TWI transmit sequence
STOP	0x014	Stop TWI transaction
SUSPEND	0x01C	Suspend TWI transaction
RESUME	0x020	Resume TWI transaction
EVENTS		
STOPPED	0x104	TWI stopped
RXDRDY	0x108	TWI RXD byte received
TXDSENT	0x11C	TWI TXD byte sent
ERROR	0x124	TWI error
BB	0x138	TWI byte boundary, generated before each byte that is sent or received
REGISTERS		
SHORTS	0x200	Shortcut register
INTENSET	0x304	Interrupt enable set register
INTENCLR	0x308	Interrupt enable clear register
ERRORSRC	0x4C4	TWI error source
ENABLE	0x500	Enable TWI master
PSELSCL	0x508	Pin select for SCL
PSELSDA	0x50C	Pin select for SDA
RXD	0x518	RXD register
TXD	0x51C	TXD register
FREQUENCY	0x524	TWI frequency
ADDRESS	0x588	Address used in the TWI transfer

Table 39 Register overview

27.7.1 SHORTS

Bit number		31 30 29 28 27 26 25 24 23 22 21 20 19 18 17 16 15 14 13 12 11 10 9 8 7 6 5 4 3 2 1 0																															
ID (Field ID)		- B A																															
Reset value		0 0																															
ID	RW	Field	Value ID	Value	Description																												
A	RW	BB_SUSPEND		0 1	Short-cut between BB event and SUSPEND task Disable Enable																												
B	RW	BB_STOP		0 1	Short-cut between BB event and STOP task Disable Enable																												

27.7.2 ERRORSRC

Bit number	31	30	29	28	27	26	25	24	23	22	21	20	19	18	17	16	15	14	13	12	11	10	9	8	7	6	5	4	3	2	1	0			
ID (Field ID)	-	-	-	-	-	-	-	-	-	-	-	-	-	-	-	-	-	-	-	-	-	-	-	-	-	-	-	-	-	-	-	-	C	B	-
Reset value	0	0	0	0	0	0	0	0	0	0	0	0	0	0	0	0	0	0	0	0	0	0	0	0	0	0	0	0	0	0	0	0	0	0	
ID	RW	Field	Value ID	Value	Description																														
B	RW	ANACK		1	NACK received after sending the address (write '1' to clear)																														
C	RW	DNACK		1	NACK received after sending a data byte (write '1' to clear)																														

27.7.3 ENABLE

Bit number	31	30	29	28	27	26	25	24	23	22	21	20	19	18	17	16	15	14	13	12	11	10	9	8	7	6	5	4	3	2	1	0			
ID (Field ID)	0	0	0	0	0	0	0	0	0	0	0	0	0	0	0	0	0	0	0	0	0	0	0	0	0	0	0	0	0	0	0	0	A	A	A
Reset value	0	0	0	0	0	0	0	0	0	0	0	0	0	0	0	0	0	0	0	0	0	0	0	0	0	0	0	0	0	0	0	0	0	0	0
ID	RW	Field	Value ID	Value	Description																														
A	RW	ENABLE			Enable or disable TWI																														
			DISABLE	0	Disable TWI																														
			ENABLE	5	Enable TWI																														

27.7.4 PSELSCL

Bit number	31	30	29	28	27	26	25	24	23	22	21	20	19	18	17	16	15	14	13	12	11	10	9	8	7	6	5	4	3	2	1	0	
ID (Field ID)	A	A	A	A	A	A	A	A	A	A	A	A	A	A	A	A	A	A	A	A	A	A	A	A	A	A	A	A	A	A	A	A	A
Reset value	1	1	1	1	1	1	1	1	1	1	1	1	1	1	1	1	1	1	1	1	1	1	1	1	1	1	1	1	1	1	1	1	1
ID	RW	Field	Value ID	Value	Description																												
A					Pin number configuration for TWI SCL signal																												
	RW			[0..31]	Pin number to route the TWI SCL signal to																												
	W			0xFFFFFFFF	Disconnect																												

27.7.5 PSELSDA

Bit number	31	30	29	28	27	26	25	24	23	22	21	20	19	18	17	16	15	14	13	12	11	10	9	8	7	6	5	4	3	2	1	0	
ID (Field ID)	A	A	A	A	A	A	A	A	A	A	A	A	A	A	A	A	A	A	A	A	A	A	A	A	A	A	A	A	A	A	A	A	A
Reset value	1	1	1	1	1	1	1	1	1	1	1	1	1	1	1	1	1	1	1	1	1	1	1	1	1	1	1	1	1	1	1	1	1
ID	RW	Field	Value ID	Value	Description																												
A					Pin number configuration for TWI SDA signal																												
	RW			[0..31]	Pin number to route the TWI SDA signal to																												
	W			0xFFFFFFFF	Disconnect																												

27.7.6 RXD

Bit number	31 30 29 28 27 26 25 24 23 22 21 20 19 18 17 16 15 14 13 12 11 10 9 8 7 6 5 4 3 2 1 0				
ID (Field ID)	- A A A A A A A A				
Reset value	0 0				
ID	RW	Field	Value ID	Value	Description
A	RW				RX data from last transfer

27.7.7 TXD

Bit number	31 30 29 28 27 26 25 24 23 22 21 20 19 18 17 16 15 14 13 12 11 10 9 8 7 6 5 4 3 2 1 0				
ID (Field ID)	- A A A A A A A A				
Reset value	0 0				
ID	RW	Field	Value ID	Value	Description
A	RW				TX data for next transfer

27.7.8 FREQUENCY

Bit number	31 30 29 28 27 26 25 24 23 22 21 20 19 18 17 16 15 14 13 12 11 10 9 8 7 6 5 4 3 2 1 0				
ID (Field ID)	A A				
Reset value	0 0 0 0 0 1 0				
ID	RW	Field	Value ID	Value	Description
A	RW				TWI master clock frequency
			K100	0x01980000	100 kbps
			K250	0x40000000	250 kbps
			K400	0x06680000	400 kbps

27.7.9 ADDRESS

Bit number	31 30 29 28 27 26 25 24 23 22 21 20 19 18 17 16 15 14 13 12 11 10 9 8 7 6 5 4 3 2 1 0				
ID (Field ID)	- A A A A A A A A				
Reset value	0 0				
ID	RW	Field	Value ID	Value	Description
A	RW				TWI address

28 Universal Asynchronous Receiver/Transmitter (UART)

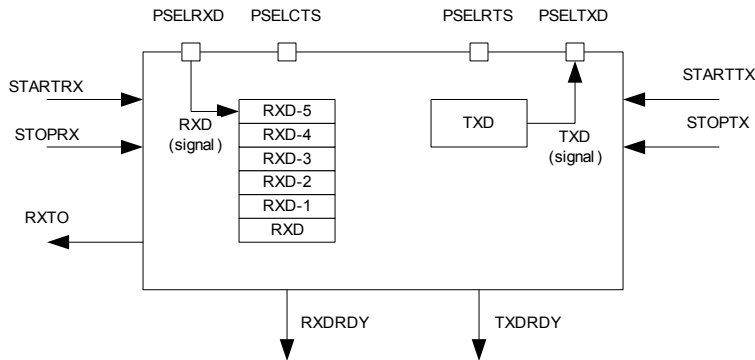


Figure 67 UART configuration

28.1 Functional description

The UART implements support for the following features:

- Full-duplex operation
- Automatic flow control
- Parity checking and generation for the 9th data bit

As illustrated in **Figure 67**, the UART uses the TXD and RXD registers directly to transmit and receive data. The UART uses one stop bit.

28.2 Pin configuration

The different signals RXD, CTS (Clear To Send, active low), RTS (Request To Send, active low), and TXD associated with the UART are mapped to physical pins according to the configuration specified in the PSELRXD, PSELCTS, PSELRTS, and PSELTXD registers respectively. If a value of 0xFFFFFFFF is specified in any of these registers, the associated UART signal will not be connected to any physical pin. The PSELRXD, PSELCTS, PSELRTS, and PSELTXD registers and their configurations are only used as long as the UART is enabled, and retained only for the duration the device is in ON mode. To secure correct signal levels on the pins by the UART when the system is in OFF mode, the pins must be configured in the GPIO peripheral as described in **Table 40**.

Only one peripheral can be assigned to drive a particular GPIO pin at a time. Failing to do so may result in unpredictable behavior.

UART pin	Direction	Output value
RXD	Input	Not applicable
CTS	Input	Not applicable
RTS	Output	1
TXD	Output	1

Table 40 GPIO configuration

28.3 Shared resources

The UART shares registers and other resources with other peripherals that have the same ID as the UART. Therefore, you must disable all peripherals that have the same ID as the UART before the UART can be configured and used. Disabling a peripheral that has the same ID as the UART will not reset any of the registers that are shared with the UART. It is therefore important to configure all relevant UART registers explicitly to ensure that it operates correctly.

See the Instantiation table in *Section 4.2 “Instantiation”* on page 13 for details on peripherals and their IDs.

28.4 Transmission

A UART transmission sequence is started by triggering the STARTTX task. Bytes are transmitted by writing to the TXD register. When a byte has been successfully transmitted the UART will generate a TXDRDY event after which a new byte can be written to the TXD register. A UART transmission sequence is stopped immediately by triggering the STOPTX task.

If flow control is enabled a transmission will be automatically suspended when CTS is deactivated and resumed when CTS is activated again, as illustrated in *Figure 68*. A byte that is in transmission when CTS is deactivated will be fully transmitted before the transmission is suspended.

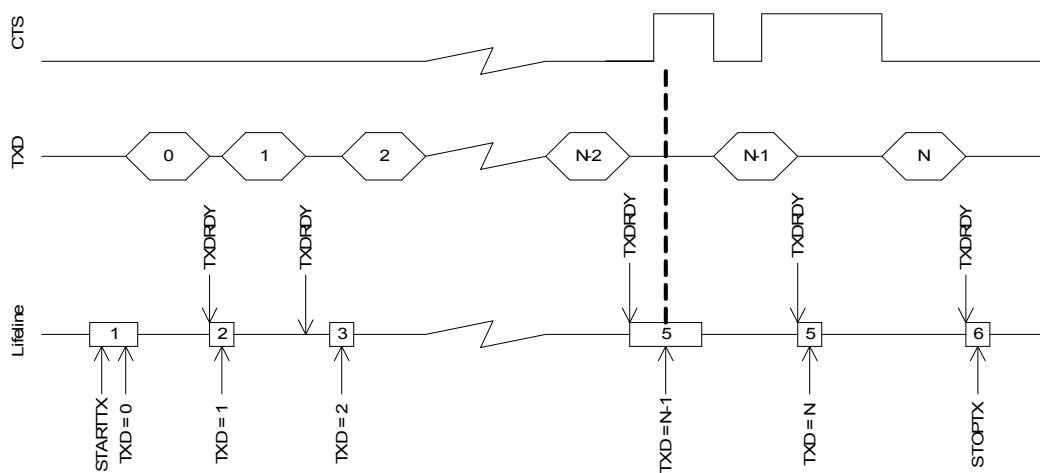


Figure 68 UART transmission

28.5 Reception

A UART reception sequence is started by triggering the STARTRX task. The UART receiver chain implements a FIFO capable of storing six incoming RXD bytes before data is overwritten. Bytes are extracted from this FIFO by reading the RXD register. When a byte is extracted from the FIFO a new byte pending in the FIFO will be moved to the RXD register. The UART will generate an RXDRDY event every time a new byte is moved to the RXD register.

When flow control is enabled, the UART will deactivate the RTS signal when there is only space for four more bytes in the receiver FIFO. The counterpart transmitter is therefore able to send up to four bytes after the RTS signal is deactivated before data is being overwritten. To prevent overwriting data in the FIFO, the counterpart UART transmitter must therefore make sure to stop transmitting data within four bytes after the RTS line is deactivated.

The RTS signal will first be activated again when the FIFO has been emptied, that is, when all bytes in the FIFO have been read by the CPU, see **Figure 69**.

The RTS signal will also be deactivated when the receiver is stopped through the STOPRX task as illustrated in **Figure 69**. The UART will be able to receive up to four bytes if they are sent immediately after the RTS signal has been deactivated. This is possible because the UART is, even after the STOPRX task is triggered, able to receive bytes for an extended period equal to the time it takes to send four bytes on the configured baud rate. The UART will generate a receiver timeout event (RXTO) when this period has elapsed.

To prevent loss of incoming data the RXD register must only be read once following every RXDRDY event. If there is more than one byte available in the FIFO, RXDRDY event will be triggered immediately when the RXD register is read. To ensure that you have control of any new RXDRDY event arriving you must clear the EVENT before you read the RXD register.

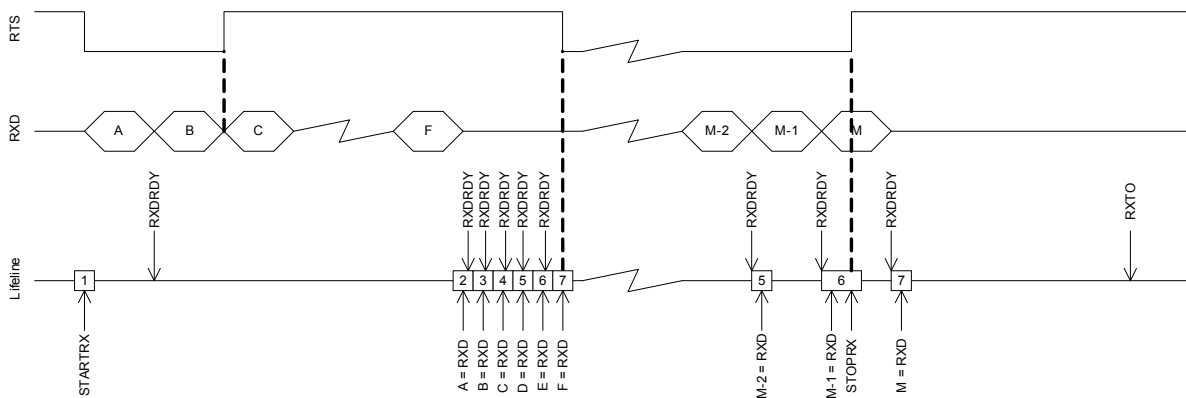


Figure 69 UART reception.

As indicated in occurrence 2 in **Figure 69**, the RXDRDY event associated with byte B is generated first after byte A has been extracted from RXD.

28.6 Error conditions

An ERROR event, in the form of a framing error, will be generated if a valid stop bit is not detected in a frame. Another ERROR event, in the form of a break condition, will be generated if the RXD line is held active low for longer than the length of a data frame. Effectively, a framing error is always generated before a break condition occurs.

28.7 Using the UART without flow control

If flow control is not enabled the interface will behave as if the CTS and RTS lines are kept active all the time.

28.8 Parity configuration

When parity is enabled, the parity will be generated automatically from the even parity of TXD and RXD for transmission and reception respectively.

28.9 Registers

Register	Offset	Description	
TASKS			
STARTRX	0x000	Start UART receiver	
STOPRX	0x004	Stop UART receiver	
STARTTX	0x008	Start UART transmitter	
STOPTX	0x00C	Stop UART transmitter	
EVENTS			
RXDRDY	0x108	Data received in RXD	
TXDRDY	0x11C	Data sent from TXD	
ERROR	0x124	Error detected	
RXTO	0x144	Receiver timeout	
REGISTERS			
INTENSET	0x304	Interrupt enable set register	
INTENCLR	0x308	Interrupt enable clear register	
ERRORSRC	0x480	Error source	
ENABLE	0x500	Enable UART	
PSELRTS	0x508	Pin select for RTS	
PSELTXD	0x50C	Pin select for TXD	
PSELCTS	0x510	Pin select for CTS	
PSELRXD	0x514	Pin select for RXD	
RXD	0x518	RXD register	
TXD	0x51C	TXD register	
BAUDRATE	0x524	Baud rate	
CONFIG	0x56C	Configuration of parity and hardware flow control	

Table 41 Register overview

28.9.1 RXD

Bit number	31	30	29	28	27	26	25	24	23	22	21	20	19	18	17	16	15	14	13	12	11	10	9	8	7	6	5	4	3	2	1	0
ID (Field ID)	-	-	-	-	-	-	-	-	-	-	-	-	-	-	-	-	-	-	-	-	-	-	-	-	-	-	A	A	A	A	A	A
Reset value	0	0	0	0	0	0	0	0	0	0	0	0	0	0	0	0	0	0	0	0	0	0	0	0	0	0	0	0	0	0	0	
ID	RW	Field	Value ID	Value	Description																											
A	R				RX data received in previous transfers.																											

28.9.2 TXD

Bit number	31	30	29	28	27	26	25	24	23	22	21	20	19	18	17	16	15	14	13	12	11	10	9	8	7	6	5	4	3	2	1	0		
ID (Field ID)	-	-	-	-	-	-	-	-	-	-	-	-	-	-	-	-	-	-	-	-	-	-	-	-	-	-	A	A	A	A	A	A	A	A
Reset value	0	0	0	0	0	0	0	0	0	0	0	0	0	0	0	0	0	0	0	0	0	0	0	0	0	0	0	0	0	0	0	0	0	0
ID	RW	Field	Value ID	Value	Description																													
A	W				TX data to be transferred.																													

28.9.3 ENABLE

Bit number	31	30	29	28	27	26	25	24	23	22	21	20	19	18	17	16	15	14	13	12	11	10	9	8	7	6	5	4	3	2	1	0		
ID (Field ID)	0	0	0	0	0	0	0	0	0	0	0	0	0	0	0	0	0	0	0	0	0	0	0	0	0	0	0	0	0	0	A	A	A	
Reset value	0	0	0	0	0	0	0	0	0	0	0	0	0	0	0	0	0	0	0	0	0	0	0	0	0	0	0	0	0	0	0	0	0	0
ID	RW	Field	Value ID	Value	Description																													
A	RW				Enable or disable UART																													
			DISABLE	0	Disable UART																													
			ENABLE	4	Enable UART																													

28.9.4 PSELRTS

Bit number	31	30	29	28	27	26	25	24	23	22	21	20	19	18	17	16	15	14	13	12	11	10	9	8	7	6	5	4	3	2	1	0	
ID (Field ID)	A	A	A	A	A	A	A	A	A	A	A	A	A	A	A	A	A	A	A	A	A	A	A	A	A	A	A	A	A	A	A	A	A
Reset value	1	1	1	1	1	1	1	1	1	1	1	1	1	1	1	1	1	1	1	1	1	1	1	1	1	1	1	1	1	1	1	1	1
ID	RW	Field	Value ID	Value	Description																												
A					Pin number configuration for UART RTS signal																												
	RW			[0..31]	Pin number to route the UART RTS signal to																												
	W			0xFFFFFFFF	Disconnect																												

28.9.5 PSELTXD

Bit number	31	30	29	28	27	26	25	24	23	22	21	20	19	18	17	16	15	14	13	12	11	10	9	8	7	6	5	4	3	2	1	0	
ID (Field ID)	A	A	A	A	A	A	A	A	A	A	A	A	A	A	A	A	A	A	A	A	A	A	A	A	A	A	A	A	A	A	A	A	A
Reset value	1	1	1	1	1	1	1	1	1	1	1	1	1	1	1	1	1	1	1	1	1	1	1	1	1	1	1	1	1	1	1	1	1
ID	RW	Field	Value ID	Value	Description																												
A					Pin number configuration for UART TXD signal																												
	RW			[0..31]	Pin number to route the UART TXD signal to																												
	W			0xFFFFFFFF	Disconnect																												

28.9.6 PSELCTS

Bit number	31	30	29	28	27	26	25	24	23	22	21	20	19	18	17	16	15	14	13	12	11	10	9	8	7	6	5	4	3	2	1	0
ID (Field ID)	A	A	A	A	A	A	A	A	A	A	A	A	A	A	A	A	A	A	A	A	A	A	A	A	A	A	A	A	A	A	A	A
Reset value	1	1	1	1	1	1	1	1	1	1	1	1	1	1	1	1	1	1	1	1	1	1	1	1	1	1	1	1	1	1	1	
ID	RW	Field	Value ID	Value	Description																											
A					Pin number configuration for UART CTS signal																											
	RW			[0..31]	Pin number to route the UART CTS signal to																											
	W			0xFFFFFFFF	Disconnect																											

28.9.7 PSELRXD

Bit number	31	30	29	28	27	26	25	24	23	22	21	20	19	18	17	16	15	14	13	12	11	10	9	8	7	6	5	4	3	2	1	0
ID (Field ID)	A	A	A	A	A	A	A	A	A	A	A	A	A	A	A	A	A	A	A	A	A	A	A	A	A	A	A	A	A	A	A	
Reset value	1	1	1	1	1	1	1	1	1	1	1	1	1	1	1	1	1	1	1	1	1	1	1	1	1	1	1	1	1	1	1	
ID	RW	Field	Value ID	Value	Description																											
A					Pin number configuration for UART RXD signal																											
	RW			[0..31]	Pin number to route the UART RXD signal to																											
	W			0xFFFFFFFF	Disconnect																											

28.9.8 ERRORSRC

Bit number	31	30	29	28	27	26	25	24	23	22	21	20	19	18	17	16	15	14	13	12	11	10	9	8	7	6	5	4	3	2	1	0			
ID (Field ID)	-	-	-	-	-	-	-	-	-	-	-	-	-	-	-	-	-	-	-	-	-	-	-	-	-	-	-	-	-	-	-	D	C	B	A
Reset value	0	0	0	0	0	0	0	0	0	0	0	0	0	0	0	0	0	0	0	0	0	0	0	0	0	0	0	0	0	0	0	0	0		
ID	RW	Field	Value ID	Value	Description																														
A		OVERRUN			Overrun error. A start bit is received while the previous data still lies in RXD. (Previous data is lost.)																														
	R			0	Not occurred																														
	R			1	Occurred																														
	W			1	Clear																														
B	..	PARITY	..		Parity error. A character with bad parity is received, if HW parity check is enabled.																														
C	..	FRAMING	..		Framing error occurred. A valid stop bit is not detected on the serial data input after all bits in a character have been received.																														
D	..	BREAK	..		Break condition. The serial data input is '0' for longer than the length of a data frame. (The data frame length is 10 bits without parity bit, and 11 bits with parity bit.)																														

28.9.9 CONFIG

Bit number	31	30	29	28	27	26	25	24	23	22	21	20	19	18	17	16	15	14	13	12	11	10	9	8	7	6	5	4	3	2	1	0		
ID (Field ID)	-	-	-	-	-	-	-	-	-	-	-	-	-	-	-	-	-	-	-	-	-	-	-	-	-	-	-	-	-	-	-	B	B	A
Reset value	0	0	0	0	0	0	0	0	0	0	0	0	0	0	0	0	0	0	0	0	0	0	0	0	0	0	0	0	0	0	1	0	0	
ID	RW	Field	Value ID	Value	Description																													
A	RW	HWFC			Hardware flow control																													
				0	Disabled																													
				1	Enabled																													
B	RW	PARITY			Parity																													
				0x0	Exclude parity bit																													
				0x7	Include parity bit																													

28.9.10 BAUDRATE

Bit number	31	30	29	28	27	26	25	24	23	22	21	20	19	18	17	16	15	14	13	12	11	10	9	8	7	6	5	4	3	2	1	0
ID (Field ID)	A	A	A	A	A	A	A	A	A	A	A	A	A	A	A	A	A	A	A	A	A	A	A	A	A	A	A	A	A	A	A	A
Reset value	0	0	0	0	0	0	0	1	1	0	0	1	1	0	0	0	0	0	0	0	0	0	0	0	0	0	0	0	0	0	0	0
ID	RW	Field	Value ID	Value	Description																											
A	RW				Baud-rate																											
		BAUD1200		0x0004F000	1200 baud																											
		BAUD2400		0x0009D000	2400 baud																											
		BAUD4800		0x0013B000	4800 baud																											
		BAUD9600		0x00275000	9600 baud																											
		BAUD14400		0x003B0000	14400 baud																											
		BAUD19200		0x004EA000	19200 baud																											
		BAUD28800		0x0075F000	28800 baud																											
		BAUD38400		0x009D5000	38400 baud																											
		BAUD57600		0x00EBF000	57600 baud																											
		BAUD76800		0x013A9000	76800 baud																											
		BAUD115200		0x01D7E000	115200 baud																											
		BAUD230400		0x03AFB000	230400 baud																											
		BAUD250000		0x04000000	250000 baud																											
		BAUD460800		0x075F7000	460800 baud																											
		BAUD921600		0X0EBEDFA4	921600 baud																											
		BAUD1M		0x10000000	1 megabaud																											

29 Quadrature Decoder (QDEC)

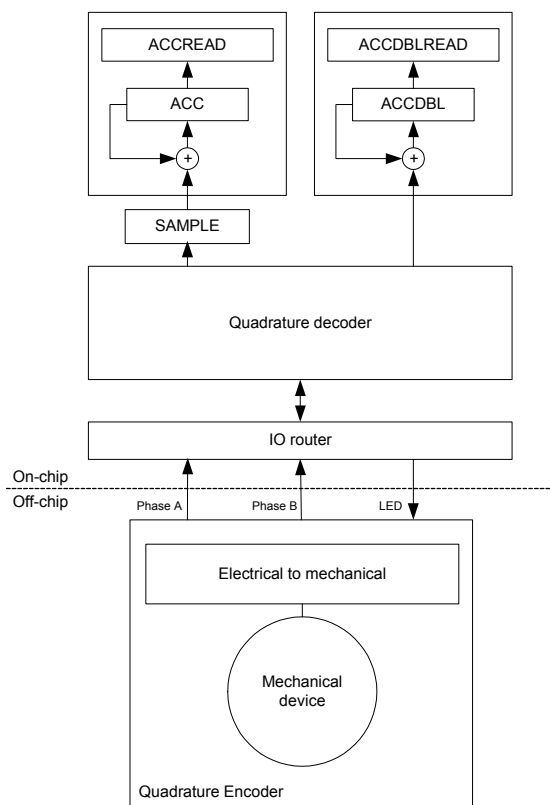


Figure 70 Quadrature decoder configuration

29.1 Functional description

The Quadrature Decoder (QDEC) can be used for decoding the output of an off-chip quadrature encoder. The QDEC provides the following:

- Decoding of digital waveform from off-chip quadrature encoder.
- Sample accumulation eliminating hard real-time requirements to be enforced on application.
- Optional input debounce filters.
- Optional LED output signal for optical encoders.

29.1.1 Pin configuration

The different signals: Phase A, Phase B, and LED, are mapped to physical pins according to the configuration specified in the PSELA, PSELB, and PSELLED registers respectively. If a value of 0xFFFFFFFF is specified in any of these registers, the associated signal will not be connected to any physical pin. The PSELA, PSELB, and PSELLED registers and their configurations are only used as long as the QDEC is enabled, and retained only as long as the device is in ON mode.

To secure correct behavior in the QDEC, the pins used by the QDEC must be configured in the GPIO peripheral as described in **Table 42** on page 168 prior to enabling the QDEC. This configuration must be retained in the GPIO for the selected IOs as long as the QDEC is enabled.

Only one peripheral can be assigned to drive a particular GPIO pin at a time, failing to do so may result in unpredictable behavior.

QDEC signal	QDEC pin	Direction	Output value
Phase A	As specified in PSELA	Input	Not applicable
Phase B	As specified in PSELB	Input	Not applicable
LED	As specified in PSELLED	Input	Not applicable

Table 42 GPIO configuration

29.1.2 Sampling and decoding

The off-chip quadrature encoder is an incremental motion encoder outputting two waveforms; phase A and phase B. The two output waveforms are always 90 degrees out of phase, meaning that one always changes level before the other. The direction of movement is indicated by which of these two waveforms that changes level first. Invalid transitions may occur, that is when the two waveforms switch simultaneously. This may occur if the wheel rotates too fast relative to the sample rate set for the decoder.

The QDEC decodes the output from the off-chip encoder by sampling the QDEC phase input pins (A and B) at a fixed rate as specified in the SAMPLEPER register.

When started, the decoder continuously samples the two input waveforms and decodes these by comparing the current sample pair (n) with the previous sample pair (n-1). The decoding of the sample pairs is described in *Table 43*.

Previous sample pair (n - 1)		Current samples pair (n)		SAMPLE register	ACC operation	ACCDBL operation	Description
A	B	A	B				
0	0	0	0	0	No change	No change	No movement
		0	1	1	Increment	No change	Movement in positive direction
		1	0	-1	Decrement	No change	Movement in negative direction
		1	1	2	No change	Increment	Error: Double transition
0	1	0	0	-1	Decrement	No change	Movement in negative direction
		0	1	0	No change	No change	No movement
		1	0	2	No change	Increment	Error: Double transition
		1	1	1	Increment	No change	Movement in positive direction
1	0	0	0	1	Increment	No change	Movement in positive direction
		0	1	2	No change	Increment	Error: Double transition
		1	0	0	No change	No change	No movement
		1	1	-1	Decrement	No change	Movement in negative direction
1	1	0	0	2	No change	Increment	Error: Double transition
		0	1	-1	Decrement	No change	Movement in negative direction
		1	0	1	Increment	No change	Movement in positive direction
		1	1	0	No change	No change	No movement

Table 43 Quadrature decoder input decoding

29.1.3 LED output

The LED output follows the sample period and the LED is switched on a given period prior to sampling and switched off immediately after the inputs are sampled. The period the LED is switched on prior to sampling is given in the LEDPRE register.

The LED output pin polarity is specified in the LEDPOL register.

For using off-chip mechanical encoders not requiring a LED, the LED output can be disabled by writing 0xFFFFFFFF to the PSELLED register. In this case the QDEC will not acquire access to a LED output pin and the pin can be used for other purposes by the CPU.

29.1.4 Debounce filters

Each of the two phase inputs have digital debounce filters. When enabled, the filter inputs are sampled at a fixed 1 MHz frequency during the entire sample period (which is specified in the SAMPLEPER register), and the filters require all of the samples within this sample period to equal before the input signal is accepted and transferred to the output of the filter.

As a result, only input signal with a steady state longer than twice the period specified in SAMPLEPER are guaranteed to pass through the filter, and any signal with a steady state shorter than SAMPLEPER will always be suppressed by the filter. (This is assumed that the frequency during the debounce period never exceeds 500 kHz (as required by the Nyquist theorem when using a 1 MHz sample frequency).

Note: The LED will always be ON when the debounce filters are enabled, as the inputs in this case will be sampled continuously.

29.1.5 Accumulators

The quadrature decoder contains two the accumulator registers ACC and ACCDBL that accumulates valid motion sample values and the number of detected invalid samples (double transitions), respectively.

The ACC register will accumulate all valid values (1/-1) written to the SAMPLE register. This can be useful for preventing hard real-time requirements from being enforced on the application. When using the ACC register the application does not need to read every single sample from the SAMPLE register, but can instead fetch the ACC register whenever it fits the application. The ACC register will always hold the relative movement of the external mechanical device since the previous clearing of the ACC register. Sample values indicating a double transition (2) will not be accumulated in the ACC register.

An ACCOF event will be generated if the ACC receives a SAMPLE value that would cause the register to overflow or underflow. Any SAMPLE value that would cause the an ACC overflow or underflow will be discarded, but any samples not causing the ACC to overflow or underflow will still be accepted.

The accumulator ACCDBL accumulates the number of detected double transitions since the previous clearing of the ACCDBL register.

The ACC and ACCDBL registers can be cleared by the READCLRACC and subsequently read using the ACCREAD and ACCDBLREAD registers.

29.1.6 Output/input pins

The QDEC uses a 3 pin interface to the off-chip quadrature encoder.

These pins will be acquired when the QDEC is enabled in the ENABLE register. The pins acquired by the QDEC cannot be written by the CPU, but they can still be read by the CPU.

The pin numbers to be used for the QDEC are selected using the PSELn registers.

29.2 Registers

Register	Offset	Description
TASKS		
START	0x000	Task starting the quadrature decoder. When started, the SAMPLE register will be continuously updated at the rate given in the SAMPLEPER register.
STOP	0x004	Task stopping the quadrature decoder.
READCLRACC	0x008	Task transferring the content of ACC to ACCREAD and the content of ACCDBL to ACCDBLREAD, and then clearing the ACC and ACCDBL registers. These read-and-clear operations will be done automatically.
EVENTS		
SAMPLERDY	0x100	Event being generated for every new sample value written to the SAMPLE register.
REPORTRDY	0x104	Event being generated when REPORTPER number of samples has been accumulated in the ACC register and the content of the ACC register does not equal 0. (Thus, this event is only generated if a motion is detected since the previous clearing of the ACC register).
ACCOF	0x108	ACC or ACCDBL register overflow.
REGISTERS		
SHORTS	0x200	Shortcut register.
INTENSET	0x304	Interrupt enable set register.
INTENCLR	0x308	Interrupt enable clear register.
ENABLE	0x500	ADC enable.
LEDPOL	0x504	ADC configuration.
SAMPLEPER	0x508	ADC conversion result.
SAMPLE	0x50C	Motion sample value.
REPORTPER	0x510	Number of samples to be taken before a REPORTRDY event is generated.
ACC	0x514	Register accumulating the valid transitions.
ACCREAD	0x518	Snapshot of the ACC register updated by the READCLRACC task.
PSELLED	0x51C	GPIO pin number to be used as LED output.
PSELA	0x520	GPIO pin number to be used as Phase A input.
PSELB	0x524	GPIO pin number to be used as Phase B input.
DBFEN	0x528	Enable input debounce filters.
LEDPRE	0x540	Time period the LED is switched ON prior to sampling.
ACCDBL	0x544	Register accumulating the number of detected double transitions.
ACCDBLREAD	0x548	Snapshot of the ACCDBL.

29.2.1 Shorts

Bit number	31	30	29	28	27	26	25	24	23	22	21	20	19	18	17	16	15	14	13	12	11	10	9	8	7	6	5	4	3	2	1	0		
ID (Field ID)	-	-	-	-	-	-	-	-	-	-	-	-	-	-	-	-	-	-	-	-	-	-	-	-	-	-	-	-	-	-	-	-	B	A
Reset value	0	0	0	0	0	0	0	0	0	0	0	0	0	0	0	0	0	0	0	0	0	0	0	0	0	0	0	0	0	0	0	0	0	

ID	RW	Field	Value ID	Value	Description
A	RW	REPORTRDY_ READCLRACC	Disable	0	Short REPORTRDY event to READCLRACC task.
			Enable	1	
B	RW	SAMPLERDY_ STOP	Disable	0	Short SAMPLERDY event to STOP task.
			Enable	1	

29.2.2 ENABLE

Bit number	31	30	29	28	27	26	25	24	23	22	21	20	19	18	17	16	15	14	13	12	11	10	9	8	7	6	5	4	3	2	1	0	
ID (Field ID)	-	-	-	-	-	-	-	-	-	-	-	-	-	-	-	-	-	-	-	-	-	-	-	-	-	-	-	-	-	-	-	-	A
Reset value	0	0	0	0	0	0	0	0	0	0	0	0	0	0	0	0	0	0	0	0	0	0	0	0	0	0	0	0	0	0	0	0	

ID	RW	Field	Value ID	Value	Description
A	RW	VAL			Enable the quadrature decoder. When enabled, the decoder pins will be active. When disabled, the quadrature decoder pins are not active and can be used as GPIO.
			DISABLE	0	
			ENABLE	1	

29.2.3 LEDPOL

Bit number	31	30	29	28	27	26	25	24	23	22	21	20	19	18	17	16	15	14	13	12	11	10	9	8	7	6	5	4	3	2	1	0	
ID (Field ID)	-	-	-	-	-	-	-	-	-	-	-	-	-	-	-	-	-	-	-	-	-	-	-	-	-	-	-	-	-	-	-	-	A
Reset value	0	0	0	0	0	0	0	0	0	0	0	0	0	0	0	0	0	0	0	0	0	0	0	0	0	0	0	0	0	0	0	0	

ID	RW	Field	Value ID	Value	Description
A	RW				LED output polarity.
			ACTIVELOW	0	LED active on output pin low.
			ACTIVEHIGH	1	LED active on output pin high.

29.2.4 SAMPLEPER

Bit number	31	30	29	28	27	26	25	24	23	22	21	20	19	18	17	16	15	14	13	12	11	10	9	8	7	6	5	4	3	2	1	0			
ID (Field ID)	-	-	-	-	-	-	-	-	-	-	-	-	-	-	-	-	-	-	-	-	-	-	-	-	-	-	-	-	-	-	-	-	A	A	A
Reset value	0	0	0	0	0	0	0	0	0	0	0	0	0	0	0	0	0	0	0	0	0	0	0	0	0	0	0	0	0	0	0	0	0	0	
ID	RW	Field	Value ID	Value	Description																														
A	RW	VAL			Sample period. The SAMPLE register will be updated for every new sample.																														
			128_US	0	128 μ s																														
			256_US	1	256 μ s																														
			512_US	2	512 μ s																														
			1024_US	3	1024 μ s																														
			2048_US	4	2048 μ s																														
			4096_US	5	4096 μ s																														
			8192_US	6	8192 μ s																														
			16384_US	7	16384 μ s																														

29.2.5 SAMPLE

Bit number	31	30	29	28	27	26	25	24	23	22	21	20	19	18	17	16	15	14	13	12	11	10	9	8	7	6	5	4	3	2	1	0	
ID (Field ID)	A	A	A	A	A	A	A	A	A	A	A	A	A	A	A	A	A	A	A	A	A	A	A	A	A	A	A	A	A	A	A	A	A
Reset value	0	0	0	0	0	0	0	0	0	0	0	0	0	0	0	0	0	0	0	0	0	0	0	0	0	0	0	0	0	0	0	0	0
ID	RW	Field	Value ID	Value	Description																												
A	R			(-1..2)	Last motion sample.																												
					The value is a 2's complement value, and the sign gives the direction of the motion. The value '2' indicates a double transition.																												

29.2.6 REPORTPER

Bit number	31	30	29	28	27	26	25	24	23	22	21	20	19	18	17	16	15	14	13	12	11	10	9	8	7	6	5	4	3	2	1	0			
ID (Field ID)	-	-	-	-	-	-	-	-	-	-	-	-	-	-	-	-	-	-	-	-	-	-	-	-	-	-	-	-	-	-	-	-	A	A	A
Reset value	0	0	0	0	0	0	0	0	0	0	0	0	0	0	0	0	0	0	0	0	0	0	0	0	0	0	0	0	0	0	0	0	0	0	
ID	RW	Field	Value ID	Value	Description																														
A	RW	VAL			Specifies the number of samples to be accumulated in the ACC register before the REPORTRDY event can be generated. The report period in μs is given as: $RPUS = SP * RP$ Where RPUS is the report period in [$\mu\text{s}/\text{report}$] SP is the sample period in [$\mu\text{s}/\text{sample}$] specified in SAMPLEPER RP is the report period in [$\text{samples}/\text{report}$] specified in REPORTPER																														
			10_SMPL	0	10 samples/report																														
			40_SMPL	1	40 samples/report																														
			80_SMPL	2	80 samples/report																														
			120_SMPL	3	120 samples/report																														
			160_SMPL	4	160 samples/report																														
			200_SMPL	5	200 samples/report																														
			240_SMPL	6	240 samples/report																														
			280_SMPL	7	280 samples/report																														

29.2.7 ACC

Bit number	31	30	29	28	27	26	25	24	23	22	21	20	19	18	17	16	15	14	13	12	11	10	9	8	7	6	5	4	3	2	1	0	
ID (Field ID)	A	A	A	A	A	A	A	A	A	A	A	A	A	A	A	A	A	A	A	A	A	A	A	A	A	A	A	A	A	A	A	A	A
Reset value	0	0	0	0	0	0	0	0	0	0	0	0	0	0	0	0	0	0	0	0	0	0	0	0	0	0	0	0	0	0	0	0	0
ID	RW	Field	Value ID	Value	Description																												
A	R			(-1024..1023)	Register accumulating all valid samples (not double transition) read from the RENC (in the SAMPLE register). Double transitions (SAMPLE = 2) will not be accumulated in this register. The value is a 32 bit 2's complement value. If a sample that would cause this register to overflow or underflow is received, the sample will be ignored and an overflow event (ACCOF) will be generated. The ACC register is cleared by triggering the READCLRACC task.																												

29.2.8 ACCREAD

Bit number	31	30	29	28	27	26	25	24	23	22	21	20	19	18	17	16	15	14	13	12	11	10	9	8	7	6	5	4	3	2	1	0	
ID (Field ID)	A	A	A	A	A	A	A	A	A	A	A	A	A	A	A	A	A	A	A	A	A	A	A	A	A	A	A	A	A	A	A	A	A
Reset value	0	0	0	0	0	0	0	0	0	0	0	0	0	0	0	0	0	0	0	0	0	0	0	0	0	0	0	0	0	0	0	0	
ID	RW	Field	Value ID	Value	Description																												
A	R			(-1024..1023)	Snapshot of the ACC register.																												
					The ACCREAD register is updated when the READCLRACC task is triggered,																												

29.2.9 PSELLED

Bit number	31	30	29	28	27	26	25	24	23	22	21	20	19	18	17	16	15	14	13	12	11	10	9	8	7	6	5	4	3	2	1	0
ID (Field ID)	A	A	A	A	A	A	A	A	A	A	A	A	A	A	A	A	A	A	A	A	A	A	A	A	A	A	A	A	A	A	A	A
Reset value	1	1	1	1	1	1	1	1	1	1	1	1	1	1	1	1	1	1	1	1	1	1	1	1	1	1	1	1	1	1	1	
ID	RW	Field	Value ID	Value	Description																											
A	RW			(0..31)	GPIO pin number to be used as LED output. Writing the value 0xFFFFFFFF will disable this output.																											

29.2.10 PSELA

Bit number	31	30	29	28	27	26	25	24	23	22	21	20	19	18	17	16	15	14	13	12	11	10	9	8	7	6	5	4	3	2	1	0
ID (Field ID)	A	A	A	A	A	A	A	A	A	A	A	A	A	A	A	A	A	A	A	A	A	A	A	A	A	A	A	A	A	A	A	A
Reset value	1	1	1	1	1	1	1	1	1	1	1	1	1	1	1	1	1	1	1	1	1	1	1	1	1	1	1	1	1	1	1	
ID	RW	Field	Value ID	Value	Description																											
A	RW			(0..31)	GPIO pin number to be used as Phase A input. Writing the value 0xFFFFFFFF will disable this input.																											

29.2.11 PSELB

Bit number	31	30	29	28	27	26	25	24	23	22	21	20	19	18	17	16	15	14	13	12	11	10	9	8	7	6	5	4	3	2	1	0
ID (Field ID)	A	A	A	A	A	A	A	A	A	A	A	A	A	A	A	A	A	A	A	A	A	A	A	A	A	A	A	A	A	A	A	A
Reset value	1	1	1	1	1	1	1	1	1	1	1	1	1	1	1	1	1	1	1	1	1	1	1	1	1	1	1	1	1	1	1	
ID	RW	Field	Value ID	Value	Description																											
A	RW			(0..31)	GPIO pin number to be used as Phase B input. Writing the value 0xFFFFFFFF will disable this input.																											

29.2.12 LEDPRE

Bit number	31	30	29	28	27	26	25	24	23	22	21	20	19	18	17	16	15	14	13	12	11	10	9	8	7	6	5	4	3	2	1	0
ID (Field ID)	-	-	-	-	-	-	-	-	-	-	-	-	-	-	-	-	-	-	-	-	-	-	-	-	-	-	-	-	-	-	-	-
Reset value	0	0	0	0	0	0	0	0	0	0	0	0	0	0	0	0	0	0	0	0	0	0	0	0	0	0	0	0	0	0	0	
ID	RW	Field	Value ID	Value	Description																											
A	RW			(0..511)	Period in μ s the LED is switched on prior to sampling.																											

29.2.13 DBFEN

Bit number	31	30	29	28	27	26	25	24	23	22	21	20	19	18	17	16	15	14	13	12	11	10	9	8	7	6	5	4	3	2	1	0
ID (Field ID)	-	-	-	-	-	-	-	-	-	-	-	-	-	-	-	-	-	-	-	-	-	-	-	-	-	-	-	-	-	-	-	A
Reset value	0	0	0	0	0	0	0	0	0	0	0	0	0	0	0	0	0	0	0	0	0	0	0	0	0	0	0	0	0	0	0	
ID	RW	Field	Value ID	Value	Description																											
A	RW				Enable input debounce filters.																											
				0	Disable																											
				1	Enable																											

29.2.14 ACCDBL

Bit number	31	30	29	28	27	26	25	24	23	22	21	20	19	18	17	16	15	14	13	12	11	10	9	8	7	6	5	4	3	2	1	0			
ID (Field ID)	-	-	-	-	-	-	-	-	-	-	-	-	-	-	-	-	-	-	-	-	-	-	-	-	-	-	-	-	-	-	-	A	A	A	A
Reset value	0	0	0	0	0	0	0	0	0	0	0	0	0	0	0	0	0	0	0	0	0	0	0	0	0	0	0	0	0	0	0	0	0		
ID	RW	Field	Value ID	Value	Description																														
A	R			(0..15)	Register accumulating the number of detected double or illegal transitions. (SAMPLE = 2).																														
					When this register has reached its maximum value the accumulation of double / illegal transitions will stop.																														
					An overflow event (ACCOF) will be generated if any double or illegal transitions are detected after the maximum or minimum value was reached.																														
					This field is cleared by triggering the READCLRACC task.																														

29.2.15 ACCDBLREAD

Bit number	31	30	29	28	27	26	25	24	23	22	21	20	19	18	17	16	15	14	13	12	11	10	9	8	7	6	5	4	3	2	1	0				
ID (Field ID)	-	-	-	-	-	-	-	-	-	-	-	-	-	-	-	-	-	-	-	-	-	-	-	-	-	-	-	-	-	-	-	-	A	A	A	A
Reset value	0	0	0	0	0	0	0	0	0	0	0	0	0	0	0	0	0	0	0	0	0	0	0	0	0	0	0	0	0	0	0	0	0	0		
ID	RW	Field	Value ID	Value	Description																															
A	R			(0..15)	Snapshot of the ACCDBL register.																															
					This field is updated when the READCLRACC task is triggered.																															

30 Analog to Digital Converter (ADC)

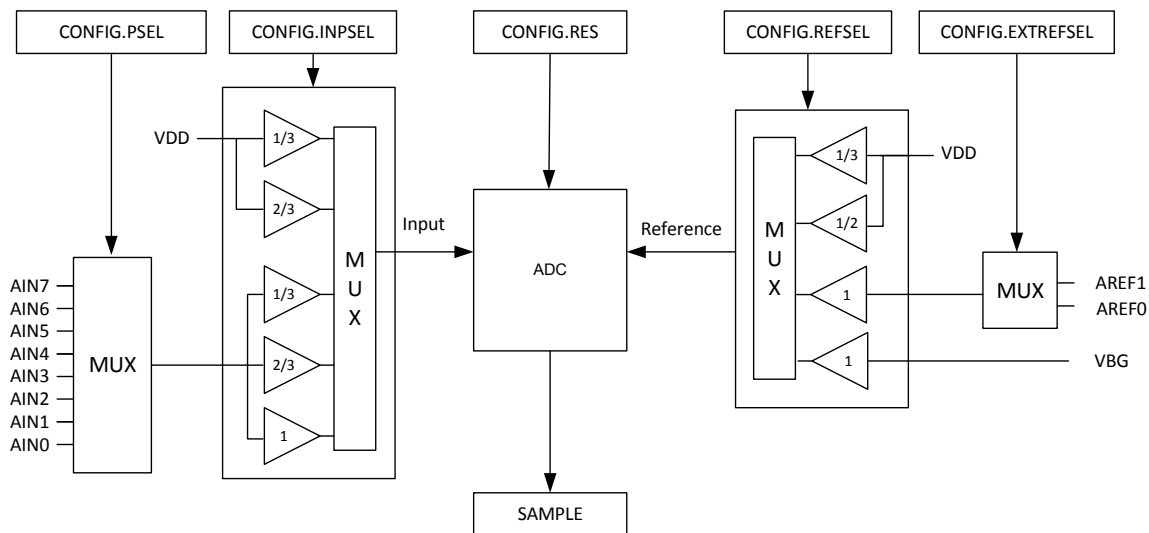


Figure 71 Analog to Digital converter

30.1 Functional description

30.1.1 Configuration

All parameters such as input selection, reference selection, resolution, pre-scaling etc. are configured using the CONFIG register.

Note: It is not allowed to configure the ADC during an on-going ADC conversion (ADC busy).

30.1.2 Usage

An ADC conversion is started by using the START task, either by writing the task register directly from the CPU or by triggering the task through the PPI.

During sampling the ADC will enter a busy state. The ADC busy/ready state can be monitored via the BUSY register.

When the ADC conversion is completed, an END event will be generated and the result of the conversion can be read from the RESULT register.

When the ADC conversion is completed, the ADC analog electronics power down to save power.

30.1.3 One-shot / continuous operation

The ADC itself only supports one-shot operation, this means every single conversion has to be explicitly started using the START task.

However, continuous ADC operation can be achieved by continuously triggering the START task from, for example, a timer through the PPI.

30.1.4 Pin configuration

The user can use the PSEL register to select one of the analog input pins, AIN0 through AIN7, as input for the ADC. See the device product specification for more information about which analog pins are available on a particular device. The selected analog pin will be acquired by the ADC when it is enabled through the ENABLE register, see *Chapter 13 "GPIO"* on page 58 for more information on how analog pins are selected.

30.1.5 Shared resources

The ADC shares registers and other resources with peripherals that have the same ID as the ADC. The user must therefore disable all peripherals that have the same ID as the ADC before the ADC can be configured and used. The ADC is using the same analog pins as the LPCOMP. The LPCOMP must therefore be disabled before the ADC can be enabled. It is important to configure all relevant ADC registers explicitly to secure that it operates correctly.

The Instantiation table in *Section 4.2 "Instantiation"* on page 13 shows which peripherals have the same ID as the ADC.

30.2 Registers

Register	Offset	Description
TASKS		
START	0x000	Start a new ADC conversion.
STOP	0x004	Stop ADC.
EVENTS		
END	0x100	An ADC conversion is completed.
REGISTERS		
INTENSET	0x304	Interrupt enable set register.
INTENCLR	0x308	Interrupt enable clear register.
BUSY	0x400	ADC busy (conversion in progress).
ENABLE	0x500	Enable ADC. When enabled, the ADC will acquire access to the analog input pins specified in the CONFIG register.
CONFIG	0x504	ADC configuration.
RESULT	0x508	Result of the previous ADC conversion.

Table 44 Register overview

30.2.1 BUSY

Bit number	31	30	29	28	27	26	25	24	23	22	21	20	19	18	17	16	15	14	13	12	11	10	9	8	7	6	5	4	3	2	1	0
ID (Field ID)	-	-	-	-	-	-	-	-	-	-	-	-	-	-	-	-	-	-	-	-	-	-	-	-	-	-	-	-	-	-	-	A
Reset value	0	0	0	0	0	0	0	0	0	0	0	0	0	0	0	0	0	0	0	0	0	0	0	0	0	0	0	0	0	0	0	
ID	RW	Field	Value ID	Value	Description																											
A	R			0	ADC is ready. No ongoing conversion.																											
				1	ADC is busy. Conversion in progress.																											

30.2.2 ENABLE

Bit number	31	30	29	28	27	26	25	24	23	22	21	20	19	18	17	16	15	14	13	12	11	10	9	8	7	6	5	4	3	2	1	0		
ID (Field ID)	-	-	-	-	-	-	-	-	-	-	-	-	-	-	-	-	-	-	-	-	-	-	-	-	-	-	-	-	-	-	-	-	A	A
Reset value	0	0	0	0	0	0	0	0	0	0	0	0	0	0	0	0	0	0	0	0	0	0	0	0	0	0	0	0	0	0	0	0	0	
ID	RW	Field	Value ID	Value	Description																													
A	RW	VAL																																
			0	0	ADC disabled.																													
			1	1	ADC enabled.																													

30.2.3 CONFIG

Bit number	31	30	29	28	27	26	25	24	23	22	21	20	19	18	17	16	15	14	13	12	11	10	9	8	7	6	5	4	3	2	1	0
ID (Field ID)	-	-	-	-	-	-	-	-	-	-	-	-	-	-	-	E	E	D	D	D	D	D	D	D	D	D	D	D	D	D	D	D
Reset value	0	0	0	0	0	0	0	0	0	0	0	0	0	0	0	0	0	0	0	0	0	0	0	0	0	0	0	0	0	0	0	0
ID	RW	Field	Value ID	Value	Description																											
A	RW	RES			ADC resolution.																											
			8_BIT	0	8 bit																											
			9_BIT	1	9 bit																											
			10_BIT	2	10 bit																											
B	RW	INPSEL			ADC input selection.																											
			AIN_NO_PS	0	Analog input pin specified by CONFIG.PSEL with no prescaling.																											
			AIN_2_3_PS	1	Analog input pin specified by CONFIG. PSEL with 2/3 prescaling.																											
			AIN_1_3_PS	2	Analog input pin specified by CONFIG. PSEL with 1/3 prescaling.																											
			VDD_2_3_PS	5	VDD with 2/3 prescaling.																											
			VDD_1_3_PS	6	VDD with 1/3 prescaling.																											
C	RW	REFSEL			ADC reference selection																											
			VBG	0	Use internal 1.2 V band gap reference.																											
			EXT	1	Use external reference specified by CONCFIG EXTREFSEL.																											
			VDD_1_2_PS	2	Use VDD with 1/2 prescaling. (Only applicable when VDD is in the range 1.7V – 2.6V).																											
			VDD_1_3_PS	3	Use VDD with 1/3 prescaling. (Only applicable when VDD is in the range 2.5V – 3.6V).																											
D	RW	PSEL			Select pin to be used as ADC input pin.																											
			DISABLE	0	Analog input pins disabled.																											
			AIN0	1	Use AIN0 as analog input.																											
			AIN1	2	Use AIN1 as analog input.																											
			AIN2	4	Use AIN2 as analog input.																											
			AIN3	8	Use AIN3 as analog input.																											
			AIN4	16	Use AIN4 as analog input.																											
			AIN5	32	Use AIN5 as analog input.																											
			AIN6	64	Use AIN6 as analog input.																											
			AIN7	128	Use AIN7 as analog input.																											
E	RW	EXTREFSEL			External reference pin selection.																											
			NONE	0	Analog reference inputs disabled.																											
			AREF0	1	Use AREF0 as analog reference.																											
			AREF1	2	Use AREF1 as analog reference.																											

30.2.4 RESULT

Bit number	31	30	29	28	27	26	25	24	23	22	21	20	19	18	17	16	15	14	13	12	11	10	9	8	7	6	5	4	3	2	1	0
ID (Field ID)	-	-	-	-	-	-	-	-	-	-	-	-	-	-	-	-	-	-	-	-	-	-	-	A	A	A	A	A	A	A	A	A
Reset value	0	0	0	0	0	0	0	0	0	0	0	0	0	0	0	0	0	0	0	0	0	0	0	0	0	0	0	0	0	0	0	
ID	RW	Field	Value ID	Value	Description																											
A	R		[0..1023]		Result of the previous ADC conversion. The value is updated for every completed ADC conversion. The result value is relative to the selected ADC reference input. If the sampled analog input signal is equal to or greater than the ADC reference signal, the result value will be set to the maximum (limited by the selected ADC bit width). The value is right justified (LSB of sample value always on register bit 0).																											

31 Low Power Comparator (LPCOMP)

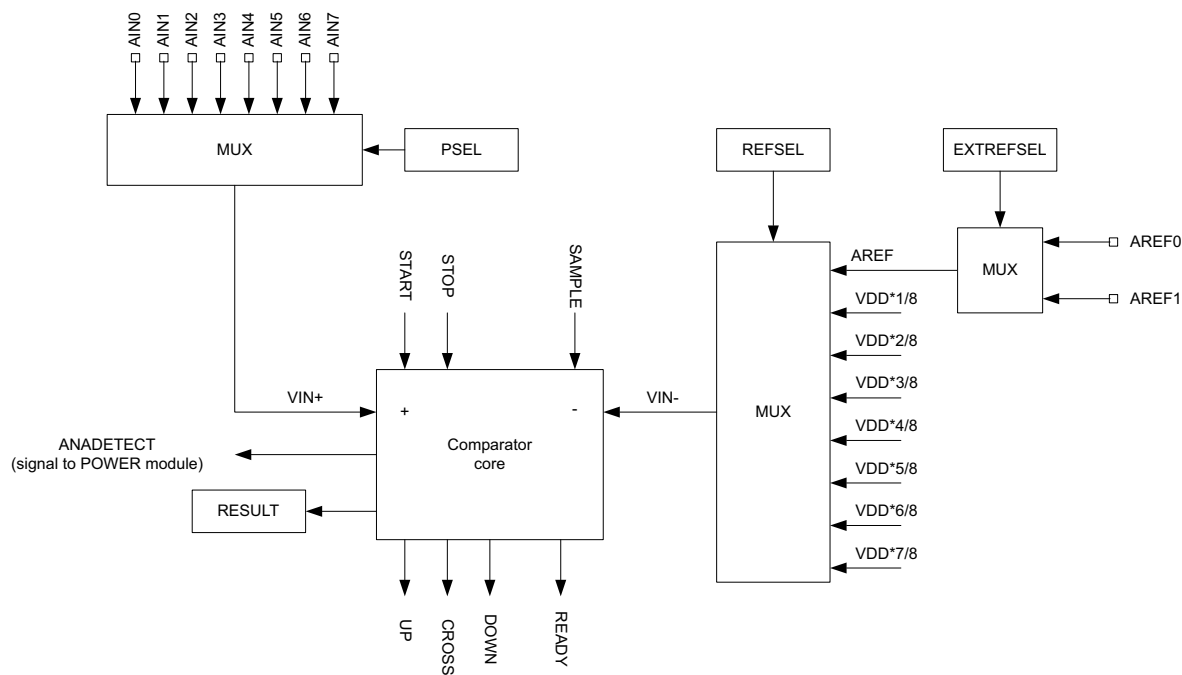


Figure 72 Low power comparator

31.1 Functional description

The low power comparator (LPCOMP) compares an input voltage (VIN+), which comes from an analog input pin selected through the PSEL register against a reference voltage (VIN-) selected through the REFSEL and EXTREFSEL registers.

The PSEL, REFSEL, and EXTREFSEL registers must be configured before the LPCOMP is enabled through the ENABLE register.

The LPCOMP is started by triggering the START task. After a start-up time of $t_{LPCOMPSTARTUP}$ the LPCOMP will generate a READY event to indicate that the comparator is ready to use and the output of the LPCOMP is correct. After the READY event is generated, the LPCOMP will generate events every time VIN+ crosses VIN-, that is, every time VIN+ rises above VIN- (upward crossing) and every time VIN+ falls below VIN- (downward crossing), see **Figure 72**. The LPCOMP is stopped by triggering the STOP task.

An upward crossing will generate an UP event and a downward crossing will generate a DOWN event. The CROSS event will be generated every time there is a crossing, independent of direction.

LPCOMP will be operational in both System ON and System OFF mode when it is enabled through the ENABLE register, see **Chapter 11 "Power management (POWER)"** on page 40 for more information about power modes. All LPCOMP registers including the ENABLE register are classified as retained registers when the LPCOMP is enabled. However, when the device wakes up from System OFF, all LPCOMP registers will be reset.

The LPCOMP can wake up the system from System OFF by asserting the ANADETECT signal. The ANADETECT signal can be derived from any of the event sources that generate the UP, DOWN, and CROSS events. In case of wakeup from System OFF, no events will be generated, only the ANADETECT signal. See the ANADETECT register *Section 31.4.7 “ANADETECT”* on page 185 for more information on how to configure the ANADETECT signal.

The immediate value of the LPCOMP can be sampled to the RESULT register by triggering the SAMPLE task.

See the *Section 11.2.1 “RESETREAS”* on page 50 on the RESETREAS register in the POWER module for more information on how to detect a wakeup from LPCOMP.

31.2 Pin configuration

You can use the PSEL register to select one of the analog input pins, AIN0 through AIN7, as analog input pin for the LPCOMP, see *Figure 72* on page 181. Similarly, you can use the EXTREFSEL register to select one of the analog reference input pins, AREF0 and AREF1, as input for AREF in case AREF is selected in REFSEL. The selected analog pins will be acquired by the LPCOMP when it is enabled through the ENABLE register. See the product specification for more information about which analog pins are available on a particular device.

31.3 Shared resources

The LPCOMP shares registers and other resources with peripherals that have the same ID as the LPCOMP. You must disable all peripherals that have the same ID as the LPCOMP before the LPCOMP can be configured and used. Disabling a peripheral that has the same ID as the LPCOMP will not reset any of the registers that are shared with the LPCOMP. Therefore, it is important to configure all relevant LPCOMP registers explicitly to secure that it operates correctly.

See the Instantiation table in *Section 4.2 “Instantiation”* on page 13 for details on peripherals and their IDs.

Note: The LPCOMP is using the same analog pins as the ADC. The ADC must be disabled before the LPCOMP can be enabled.

31.4 Registers

Register	Offset	Description
TASKS		
START	0x000	Start comparator.
STOP	0x004	Stop comparator.
SAMPLE	0x008	Sample comparator value.
EVENTS		
READY	0x100	LPCOMP is ready and output is valid.
DOWN	0x104	Downward crossing.
UP	0x108	Upward crossing.
CROSS	0x10C	Downward or upward crossing.
REGISTERS		
SHORTS	0x200	Shortcuts for LPCOMP.
INTENSET	0x304	Interrupt enable set register.
INTENCLR	0x308	Interrupt enable clear register.
RESULT	0x400	Compare result.
ENABLE	0x500	Enable LPCOMP.
PSEL	0x504	Input pin select.
REFSEL	0x508	Reference select.
EXTREFSEL	0x50C	External reference select.
ANADETECT	0x520	Analog detect configuration.

Table 45 Register overview

31.4.1 SHORTS

Bit number	31 30 29 28 27 26 25 24 23 22 21 20 19 18 17 16 15 14 13 12 11 10 9 8 7 6 5 4 3 2 1 0																														
ID (Field ID)	- E D C B A																														
Reset value	0 0																														
ID	RW	Field	Value ID	Value	Description																										
A	RW	READY_SAMPLE		0 1	Enable or disable shortcut between READY event and SAMPLE task. Disable shortcut. Enable shortcut.																										
B	RW	READY_STOP		0 1	Enable or disable shortcut between READY event and STOP task. Disable shortcut. Enable shortcut.																										
C	RW	DOWN_STOP		0 1	Enable or disable shortcut between DOWN event and STOP task. Disable shortcut. Enable shortcut.																										
D	RW	UP_STOP		0 1	Enable or disable shortcut between UP event and STOP task. Disable shortcut. Enable shortcut.																										
E	RW	CROSS_STOP		0 1	Enable or disable shortcut between CROSS event and STOP task. Disable shortcut. Enable shortcut.																										

31.4.2 ENABLE

Bit number	31	30	29	28	27	26	25	24	23	22	21	20	19	18	17	16	15	14	13	12	11	10	9	8	7	6	5	4	3	2	1	0	
ID (Field ID)	-	-	-	-	-	-	-	-	-	-	-	-	-	-	-	-	-	-	-	-	-	-	-	-	-	-	-	-	-	-	-	-	A A
Reset value	0	0	0	0	0	0	0	0	0	0	0	0	0	0	0	0	0	0	0	0	0	0	0	0	0	0	0	0	0	0	0	0	
ID	RW	Field	Value ID	Value	Description																												
A	RW				Enable or disable LPCOMP.																												
				0	Disable LPCOMP.																												
				1	Enable LPCOMP.																												

31.4.3 RESULT

Bit number	31	30	29	28	27	26	25	24	23	22	21	20	19	18	17	16	15	14	13	12	11	10	9	8	7	6	5	4	3	2	1	0		
ID (Field ID)	-	-	-	-	-	-	-	-	-	-	-	-	-	-	-	-	-	-	-	-	-	-	-	-	-	-	-	-	-	-	-	-	-	A
Reset value	0	0	0	0	0	0	0	0	0	0	0	0	0	0	0	0	0	0	0	0	0	0	0	0	0	0	0	0	0	0	0	0	0	
ID	RW	Field	Value ID	Value	Description																													
A	R				Result of last compare. Decision point SAMPLE task.																													
			BELOW	0	Input voltage is below the reference threshold. (VIN+ < VIN-)																													
			ABOVE	1	Input voltage is above the reference threshold. (VIN+ > VIN-)																													

31.4.4 PSEL

Bit number	31	30	29	28	27	26	25	24	23	22	21	20	19	18	17	16	15	14	13	12	11	10	9	8	7	6	5	4	3	2	1	0	
ID (Field ID)	-	-	-	-	-	-	-	-	-	-	-	-	-	-	-	-	-	-	-	-	-	-	-	-	-	-	-	-	-	-	-	-	A A A
Reset value	0	0	0	0	0	0	0	0	0	0	0	0	0	0	0	0	0	0	0	0	0	0	0	0	0	0	0	0	0	0	0	0	
ID	RW	Field	Value ID	Value	Description																												
A	RW				Analog pin select.																												
			AIN0	0	AIN0 selected as analog input.																												
			AIN1	1	AIN1 selected as analog input.																												
			AIN2	2	AIN2 selected as analog input.																												
			AIN3	3	AIN3 selected as analog input.																												
			AIN4	4	AIN4 selected as analog input.																												
			AIN5	5	AIN5 selected as analog input.																												
			AIN6	6	AIN6 selected as analog input.																												
			AIN7	7	AIN7 selected as analog input.																												

31.4.5 REFSEL

Bit number	31	30	29	28	27	26	25	24	23	22	21	20	19	18	17	16	15	14	13	12	11	10	9	8	7	6	5	4	3	2	1	0		
ID (Field ID)	-	-	-	-	-	-	-	-	-	-	-	-	-	-	-	-	-	-	-	-	-	-	-	-	-	-	-	-	-	-	-	A	A	A
Reset value	0	0	0	0	0	0	0	0	0	0	0	0	0	0	0	0	0	0	0	0	0	0	0	0	0	0	0	0	0	0	0	0	0	
ID	RW	Field	Value ID	Value	Description																													
A	RW				Reference select.																													
			VDD_1_8	0	VDD * 1/8 selected as reference.																													
			VDD_2_8	1	VDD * 2/8 selected as reference.																													
			VDD_3_8	2	VDD * 3/8 selected as reference.																													
			VDD_4_8	3	VDD * 4/8 selected as reference.																													
			VDD_5_8	4	VDD * 5/8 selected as reference.																													
			VDD_6_8	5	VDD * 6/8 selected as reference.																													
			VDD_7_8	6	VDD * 7/8 selected as reference.																													
			AREF	7	External analog reference selected.																													

31.4.6 EXTREFSEL

Bit number	31	30	29	28	27	26	25	24	23	22	21	20	19	18	17	16	15	14	13	12	11	10	9	8	7	6	5	4	3	2	1	0
ID (Field ID)	-	-	-	-	-	-	-	-	-	-	-	-	-	-	-	-	-	-	-	-	-	-	-	-	-	-	-	-	-	-	-	A
Reset value	0	0	0	0	0	0	0	0	0	0	0	0	0	0	0	0	0	0	0	0	0	0	0	0	0	0	0	0	0	0	0	0
ID	RW	Field	Value ID	Value	Description																											
A	RW				External analog reference select.																											
			AREF0	0	Use AREF0 as external analog reference.																											
			AREF1	1	Use AREF1 as external analog reference.																											

31.4.7 ANADETECT

Bit number	31	30	29	28	27	26	25	24	23	22	21	20	19	18	17	16	15	14	13	12	11	10	9	8	7	6	5	4	3	2	1	0	
ID (Field ID)	-	-	-	-	-	-	-	-	-	-	-	-	-	-	-	-	-	-	-	-	-	-	-	-	-	-	-	-	-	-	-	A	A
Reset value	0	0	0	0	0	0	0	0	0	0	0	0	0	0	0	0	0	0	0	0	0	0	0	0	0	0	0	0	0	0	0	0	0
ID	RW	Field	Value ID	Value	Description																												
A	RW				Analog detect configuration.																												
			CROSS	0	Generate ANADETECT on crossing, both upward crossing and downward crossing.																												
			UP	1	Generate ANADETECT on upward crossing only.																												
			DOWN	2	Generate ANADETECT on downward crossing only.																												

Appendix A: SoftDevice architecture

Figure 73 is a block diagram of the nRF51 series software architecture including the standard ARM® CMSIS interface for nRF51 hardware, profile and application code, application specific peripheral drivers, and a firmware module identified as a SoftDevice.

A SoftDevice is precompiled and linked binary software implementing a wireless protocol. While it is software, application developers have minimal compile-time dependence on its features. The unique hardware and software supported framework, in which it executes, provides run-time isolation and determinism in its behavior. These characteristics make the interface comparable to a hardware peripheral abstraction with a functional, programmatic interface.

The SoftDevice Application Program Interface (API) is available to applications as a high-level programming language interface, for example, a C header file.

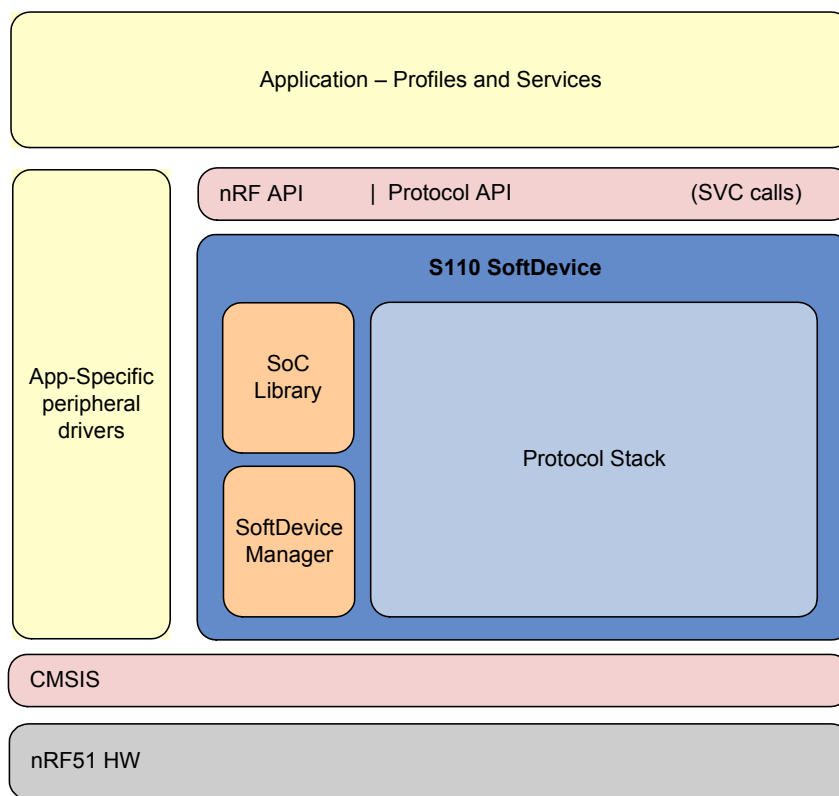


Figure 73 Software architecture block diagram

A SoftDevice consists of three main components:

1. SoC Library - API for shared hardware resource management (application coexistence).
2. SoftDevice manager - SoftDevice management API (enabling/disabling the SoftDevice, etc.).
3. Protocol stack - Implementation of protocol stack and API.

When the SoftDevice is disabled, only the SoftDevice Manager API is available for the application. For more information about enabling/disabling the SoftDevice, see the Softdevice enable and disable section on page 194.

SoC library

The SoC library provides functions for accessing shared hardware resources. The features of this library will vary between implementations of SoftDevices so detailed descriptions of the SoC library API are made available with the Software Development Kits (SDK) specific to each SoftDevice. The following is a summary of common components in the library.

Component	Description
NVIC	Wrapper functions for the CMSIS NVIC functions provided by ARM®. Note: To ensure reliable usage of the SoftDevice you must use the wrapper functions when the SoftDevice is enabled.
MUTEX	Disabling interrupts shall not be done while the SoftDevice is enabled. Mutex functions have been implemented to provide safe regions.
RAND	Random number generator - hardware sharing between SoftDevice and application.
POWER	Power management - Functions for power management.
CLOCK	Clock management – Functions for managing clock sources.
PPI	Safe PPI access to dedicated Application PPI channels.
PWR_MNG	Power management support (not a full implementation) for the application.

SoftDevice Manager

The SoftDevice Manager (SDM) API implements functions for controlling the state of the SoftDevice enabled/disabled. When enabled, the SDM configures low frequency clock (LFCLK) source, interrupt management and the embedded protocol stack.

Detailed documentation of the SDM API is made available with the Software Development Kits (SDK) specific to each SoftDevice.

Protocol stack

The major component in each SoftDevice is a wireless protocol stack providing abstract control of the RF transceiver features for wireless applications. For example, fully qualified *Bluetooth* low energy and ANT™ protocols layers may be implemented in a SoftDevice to provide application developers with an out-of-the-box solution for applications using standard 2.4 GHz protocols.

Application Program Interface (API)

In addition, to a Protocol API enabling wireless applications, there is a nRF API that supports both the SoftDevice manager and the SoC library. The nRF API is consistent across SoftDevices in the nRF51 range of ANT™ and *Bluetooth* products for code compatibility.

The SoftDevice API is implemented using thread-safe Supervisor Calls (SVC). All application interaction with the stack and libraries is asynchronous and event driven. From the application this looks like regular functions, but no compiling or linking is required. All SVC interface functions will be provided through header files for the SDM, SoC Library, and protocol(s).

SVC calls are conceptually software triggered interrupts with a procedure call standard for parameter passing and return values. Each API call generates an interrupt allowing single-thread API context and SoftDevice function locations to be independent from the application perspective at compile-time. SoftDevice API functions can only be called from lower interrupt priority when compared to the SVC priority. See the Exception (interrupt) management with a SoftDevice section **on page 190**.

Memory isolation and run-time protection

SoftDevice program and data memory are sandboxed³ to prevent SoftDevice program corruption by the application ensuring robust and predictable performance.

Program memory and RAM are divided into two regions using registers. Region 0 is occupied by the SoftDevice while Region 1 is available to the application.

Code regions are defined when programming a SoftDevice by setting a register defining program code length. RAM regions are defined at run-time when the SoftDevice is enabled. See *Figure 74* for an overview of regions.

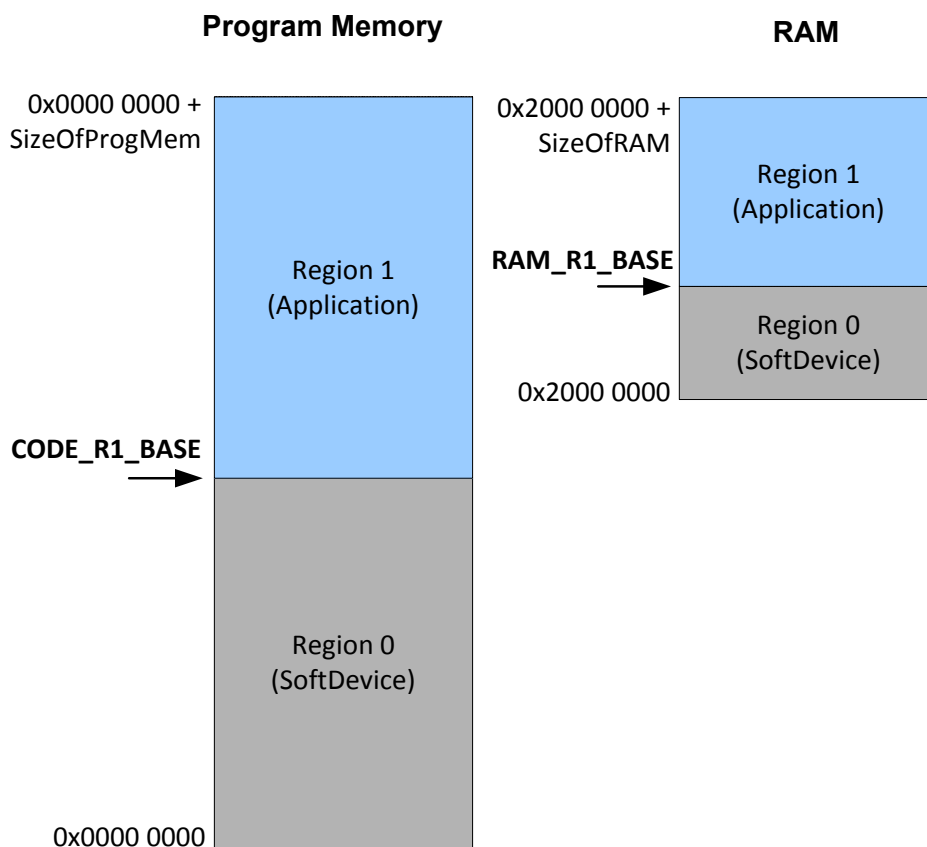


Figure 74 Memory region designation

The SoftDevice uses a fixed amount of flash (program) memory and a variable amount of RAM depending on its state. The flash and RAM usage is specified by size (kilobytes or bytes) and the `CODE_R1_BASE` and `RAM_R1_BASE` addresses which are the usable base addresses of Application code and RAM respectively. Application code must have base address `CODE_R1_BASE` while the Application RAM must be allocated between `RAM_R1_BASE` and the top of RAM, excluding the allocation for the call stack and heap.

Example Application program code address range:

`CODE_R1_BASE = Program ≤ SizeOfProgMem`

3. A sandbox is a set of access rules for memory imposed on the user.

Example Application RAM address range assuming call stack and heap location as shown in:

$$\text{RAM_R1_BASE} \leq \text{RAM} \leq (0x2000\ 0000 + \text{SizeOfRAM}) - (\text{Call Stack} + \text{Heap})$$

Sandboxing protects region 0 memory. Region 0 program memory cannot be read, written, or erased⁴ at runtime. Region 0 RAM cannot be written to by an application at runtime. Violation of these rules, for example an attempt to write to the protected Region 0 memory, will result in a system Hard Fault as defined in the ARM® architecture. There are debugger restrictions applied to these regions which are outlined in *Chapter 8 "Memory Protection Unit (MPU)"* on page 26 that do not affect execution.

When the SoftDevice is disabled the whole of RAM is available to the application. In the context of an enabled SoftDevice however, lower address space of RAM will be "consumed" by the SoftDevice and be marked as write protected.

It is important to note that when the SoftDevice is disabled, the RAM previously used by the application will not be restored. In practice, the application will in many cases want to specify its RAM region from the protected memory length until the end of RAM. This is to make application development easy without having to think about what data to put where.

Note:

- The call stack is conventionally located by the initial value of Main Stack Pointer (MSP) at the top address of RAM.
- By default RAM1 block is OFF in System ON-mode. If the MSP initial value defined in the application vector table is in the RAM1 block, the RAM block will be enabled before the application reset vector is executed.
- Do not change the value of MSP dynamically (i.e. never set the MSP register directly).
- RAM located in the SoftDevice's region will be scrambled once the SoftDevice is enabled.
- The RAM scrambled by the SoftDevice will not be recovered on SoftDevice disable.

Call stack

The call stack is defined by the application. The main stack pointer (MSP) gets initialized on reset to the address specified by the application vector table entry 0. The application may, in its reset vector, configure the CPU to use the process stack pointer (PSP) in thread mode. This configuration is optional but may be used by an operating system (OS), for example, to isolate application threads and OS context memory. The application programmer must be aware that the SoftDevice will use the MSP as it is always executed in exception mode.

In configurations without an OS, the main stack grows down and is shared with the nRF51 SoftDevice. The Cortex-M0 has no hardware for detecting stack overflow, and the application is responsible for leaving enough space both for the application itself and the nRF51 SoftDevice stack requirements.

It is customary, but not required, to let the stack run downwards from the upper limit of RAM Region 1.

4. An exception is via the Erase All feature which removes all program code from a device.

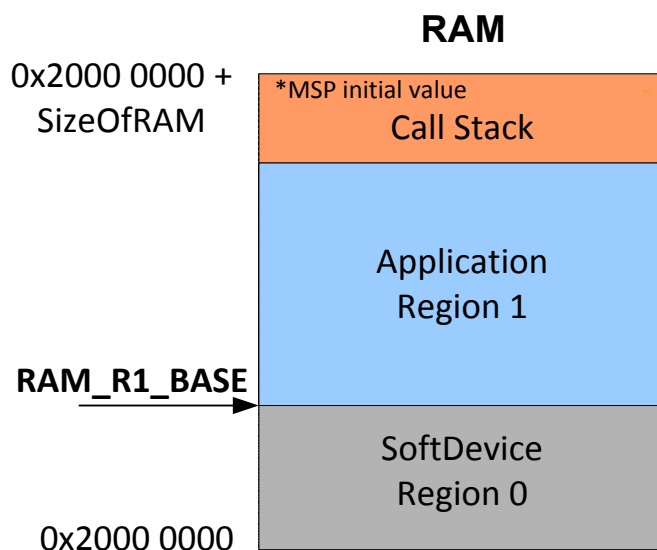


Figure 75 Call stack location example

With each release of a nRF51 SoftDevice its maximum (worst case) call stack requirement is specified, see the SoftDevice specification for more information. The SoftDevice uses the call stack when LowerStack or UpperStack events occur. These events are asynchronous to the application so the application programmer must reserve call stack for the application in addition to the call stack requirement for the SoftDevice.

Heap

At this time there is no heap required by nRF51 SoftDevices. The application is free to allocate and use a heap without disrupting the function of a SoftDevice.

Peripheral run-time protection

To prevent the application from accidentally disrupting the protocol stack in any way, the application sandbox also protects SoftDevice peripherals. As with program and data memory protection, an attempt to perform a write to a protected peripheral will result in a Hard Fault. Protected peripheral registers are readable by the application, but a write will cause a Hard Fault. Note that peripherals are only protected while the SoftDevice is enabled, otherwise they are available to the application. See the SoftDevice specification for an overview of the peripherals that are restricted by the SoftDevice.

Exception (interrupt) management with a SoftDevice

To implement Service Call (SVC) APIs and ensure that embedded protocol real-time requirements are met independent of application processing, the SoftDevice implements an exception model for execution as shown in **Figure 76** on page 191. Care must be taken when selecting the correct interrupt priority for application events according to the guidelines that follow. The NVIC API to the SoC Library supports safe configuration of interrupt priority from the application.

The Cortex-M0 processor has four configurable interrupt priorities ranging from 0 to 3 (with 0 being highest priority). On reset, all interrupts are configured with the highest priority (0).

The highest priority (LowerStack) is reserved by the SoftDevice to service real-time protocol timing requirements and thus must remain unused by the application programmer. The SoftDevice also reserves priority 2 (UpperStack (SVC) priority). This priority is used by higher level, deferrable, SoftDevice tasks and the API functions executed as SVC interrupts (see Interface section *on page 187*).

The application provides two configurable priorities, App(H) and App(L), in addition to the background level - main.

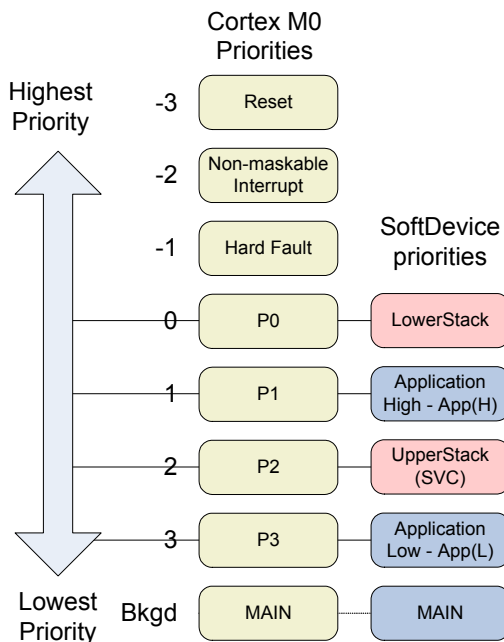


Figure 76 Exception model

As seen from the figure, App(H) is located between the two priorities reserved by the SoftDevice. This enables a low-latency application interrupt in order to support fast sensor interfaces. The App(H) will only experience latency from interrupts in the LowerStack priority, while App(L) can experience latency from LowerStack, App(H) and UpperStack context interrupts.

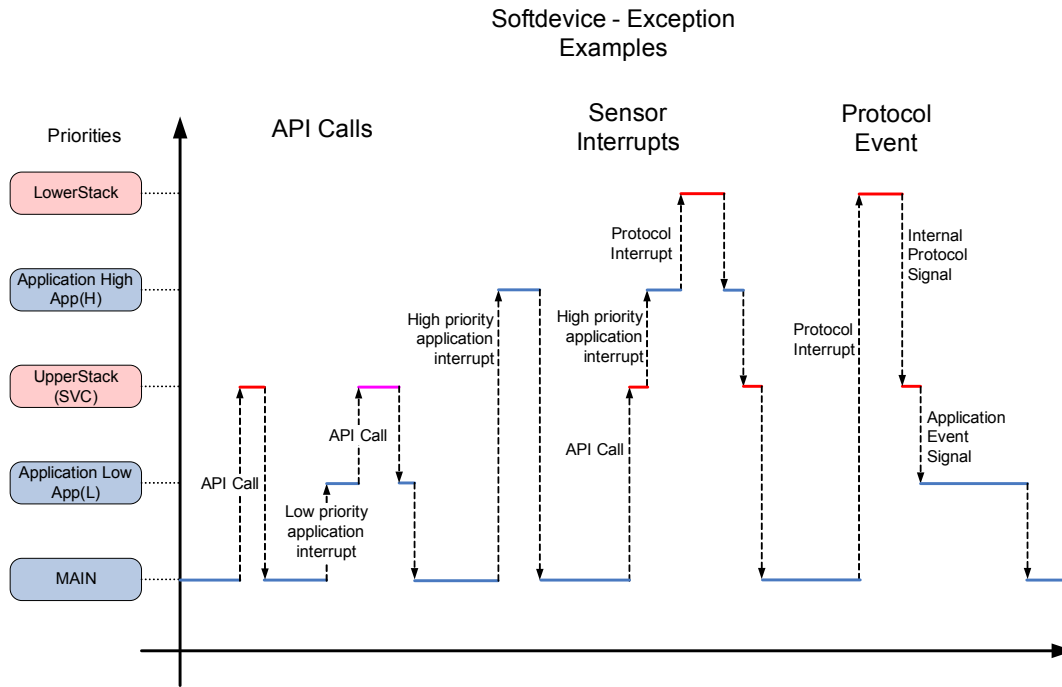


Figure 77 SoftDevice exception examples

Interrupt forwarding to the application

At the lowest level, the SoftDevice Manager receives all interrupts regardless of enabled state. When the SoftDevice is enabled, some interrupt numbers are reserved for use by the protocol stack implemented in the SoftDevice and any handler defined by the application will not receive these interrupts. The reserved interrupts directly correspond to the hardware resource usage of the SoftDevice which can be found in the corresponding SoftDevice Specification. For example, if a SoftDevice (or embedded protocol stack) requires the exclusive use of a peripheral "TIMER0", that peripheral's interrupt handler can be implemented in the application, but will not be executed while the SoftDevice is enabled.

All interrupts corresponding to hardware peripherals not used by the SoftDevice are forwarded directly to the application defined interrupt handler. For the SoftDevice Manager to locate the application interrupt vectors, the application must define its interrupt vector table at the bottom of code Region 1 (see **Figure 78** on page 193). In a majority of toolchains, the base address of the application code is positioned after the top address of the SoftDevice. Then, the code can be developed as a standard ARM® Cortex™-M0 application project with the compiler tool creating the interrupt vector table as normal.

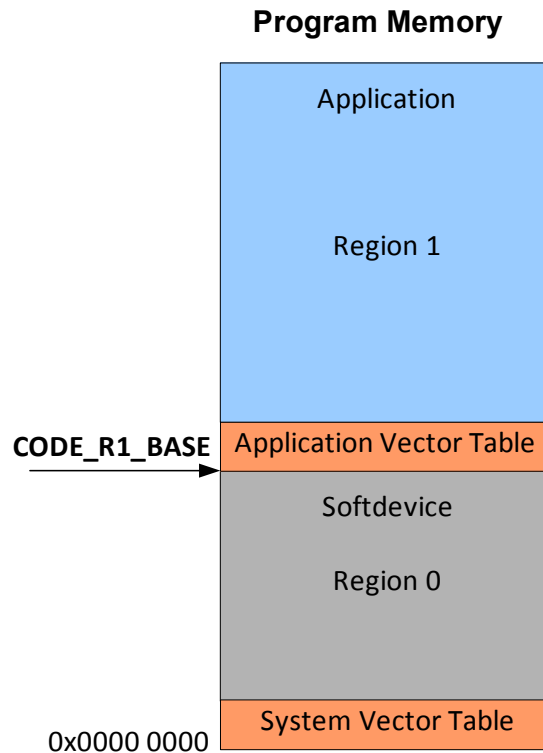


Figure 78 System and application interrupt vector tables

SVC interrupt is handled by SoftDevice manager and the SVC number inspected. If equal or greater than 0x10, the interrupt is processed by the SoftDevice. Values below 0x10 cause the SVC to be forwarded to the application. This allows the application to make use of a range of SVC numbers for its own purpose, for example, for an RTOS.

Note: While the Cortex™-M0 allows each interrupt to be assigned to an IRQ level 0 to 3, the priorities of the interrupts reserved by the SoftDevice cannot be changed. This includes the SVC interrupt. Handlers running at Application High level have neither access to SoftDevice functions nor to application specific SVCs or RTOS functions running at Application Low level.

If the SoftDevice is not enabled, all interrupts are immediately forwarded to the application specified handler. The exception to this is that SVC interrupts with an SVC number above or equal to 0x10 are not forwarded.

Events - SoftDevice to application

Software triggered interrupts in reserved IRQ slots are used to signal events from SoftDevice to application. For details on this technique and how to implement handling of these events, refer to the Software Development Kit (SDK) for your device.

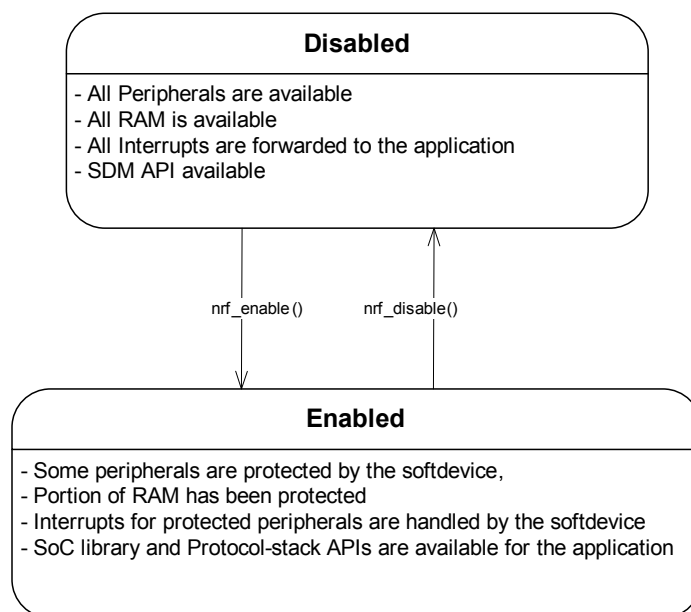
SoftDevice enable and disable

Before enabling the SoftDevice, you cannot use any capabilities of the SoftDevice. This extends to the use of the SoC library and protocol stack functions. All of the chip's resources are freely available to the application, with some exceptions:

- SVC numbers 0x10 to 0xFF are reserved.
- SoftDevice program memory is reserved.

Once the SoftDevice has been enabled, more restrictions apply:

- Some RAM will be reserved.
- Some peripherals will be reserved.
- Some of the peripherals that are reserved will have a SoC library interface.
- Interrupts will not arrive in the application for reserved peripherals.
- The reserved peripherals are reset upon SoftDevice disable.
- *nrf_nvic_* functions must be used instead of *CMSIS NVIC_* functions for safe use of the SoftDevice.
- Maximum interrupt latency will be determined by the SoftDevice .



Power management

While the SoftDevice is disabled, the application must implement power management at the highest level. After a SoftDevice is enabled, the POWER peripheral will be protected. This means that all interactions with the POWER peripheral must happen through the SoC Library Power API. This API provides an interface for turning on/off peripherals and checking the power status of peripherals that are not protected by the SoftDevice. The application will also have the ability to set the other registers in the peripheral and put the chip in System OFF.

Error handling

All SoftDevice API functions return an error code on success and failure.

Hard Faults are triggered if an application attempts to access memory contrary to the sandbox rules or peripheral configurations at runtime.

An assertion mechanism through a registered callback can indicate fatal failures in the SoftDevice to the application.