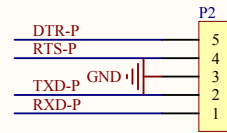
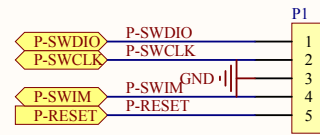
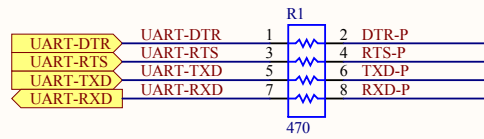
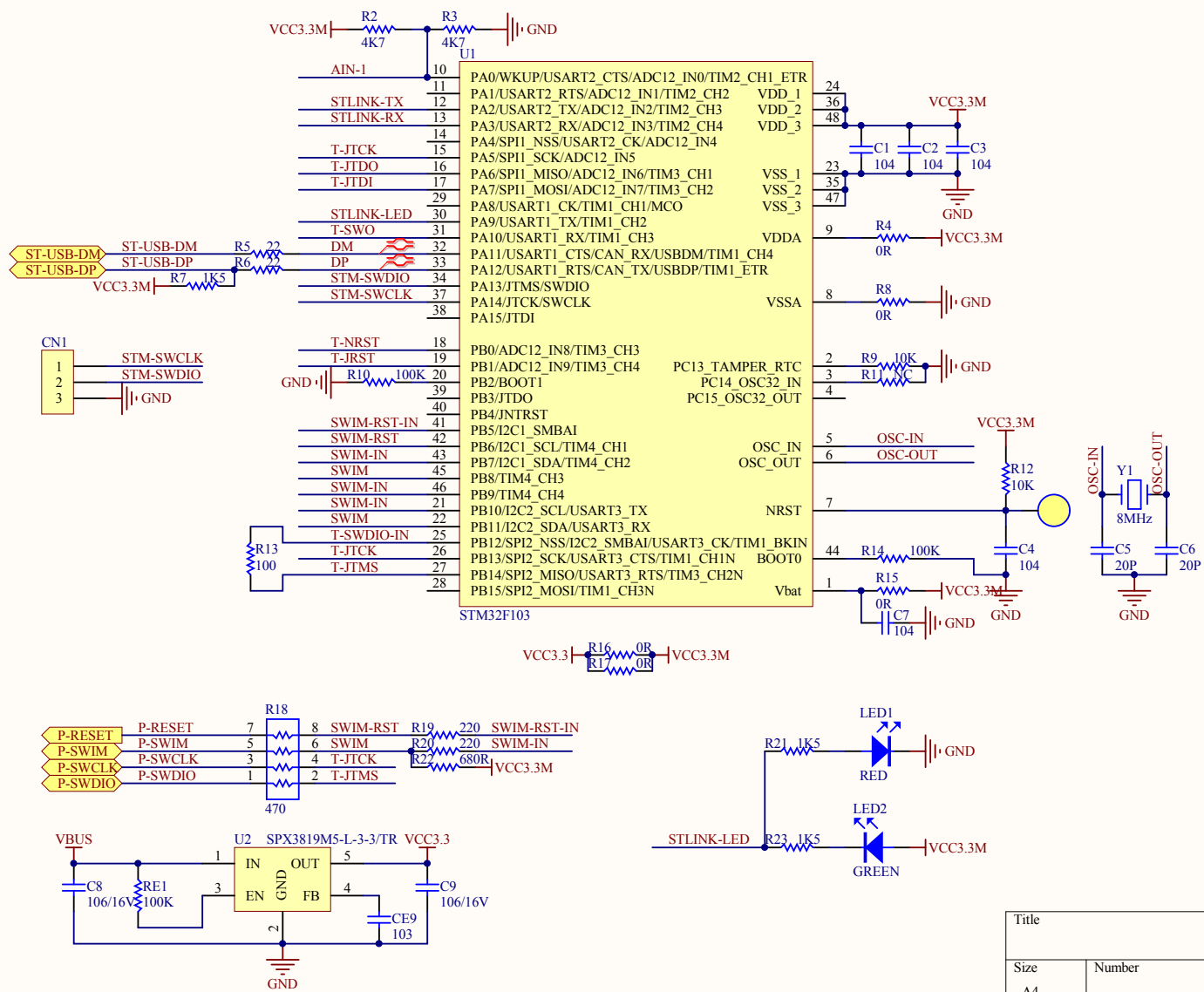


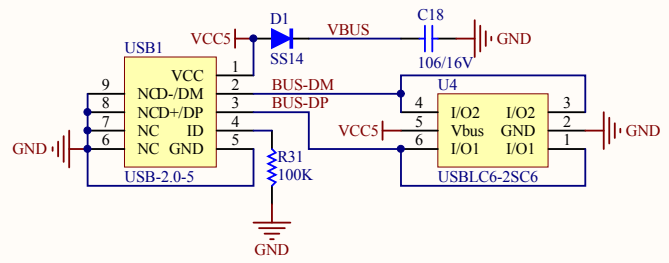
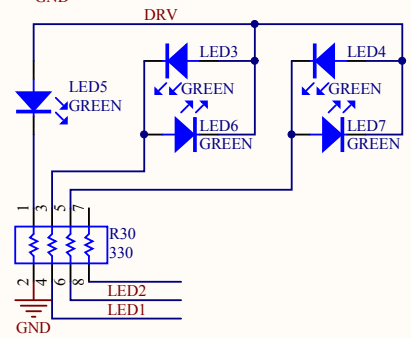
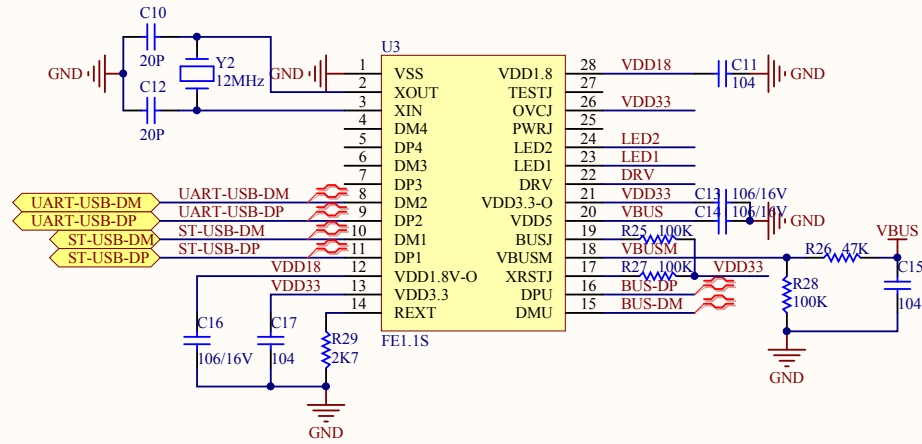
Title		
Size A4	Number	Revision
Date: 2017/9/14	Sheet of	
File: Z:\ST-LINK-V2 UART FE1.IS V1.3\..main	Drawn By:	



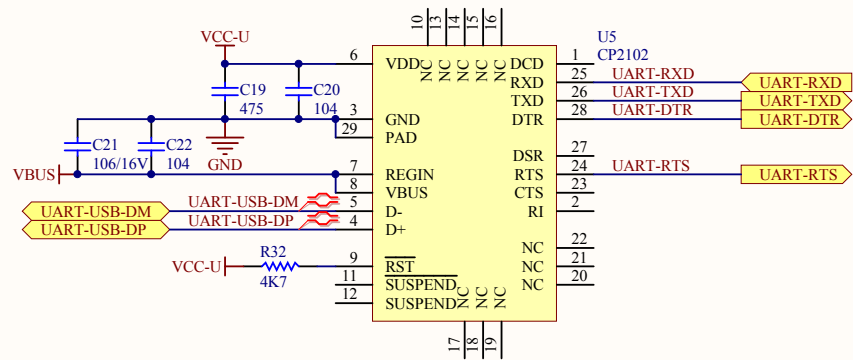
Title		
Size A4	Number	Revision
Date: 2017/9/14	Sheet of	
File: Z:\ST-LINK-V2 UART FE1.IS V1.3\..PORT	Doc	



Title		
Size	Number	Revision
A4		
Date:	2017/9/14	Sheet of
File:	Z:\ST-LINK-V2 UART FE1.1S V1.3\..ST-LINK-V2	SchDoc



Title		
Size	Number	Revision
A4		
Date:	2017/9/14	Sheet of
File:	Z:\ST-LINK-V2 UART FE1.1S V1.3\..USBDRIVER.SchDoc	



Title		
Size	Number	Revision
A4		
Date:	2017/9/14	Sheet of
File:	Z:\ST-LINK-V2 UART FE1.1S V1.3\..USBDriver\TechDoc	