

A

A

B

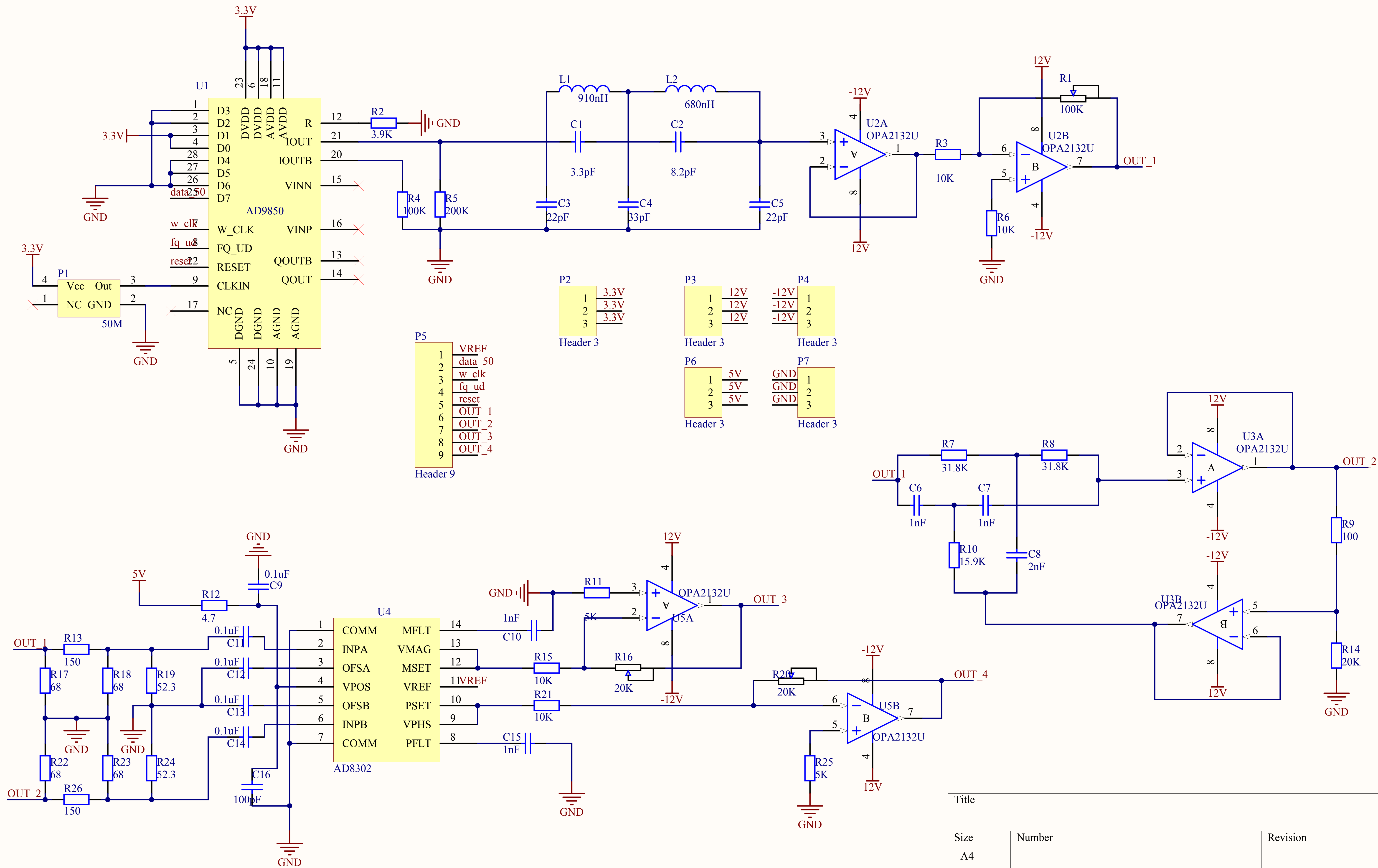
B

C

C

D

D



Title		
Size	Number	Revision
A4		
Date:	2012/12/5	Sheet of
File:	G:\...\...\	.SchDoc
		Drawn By: