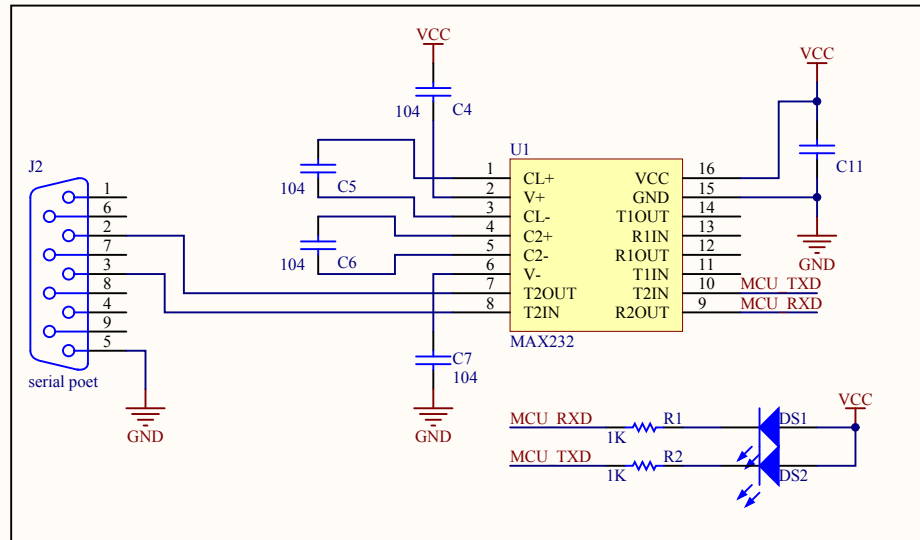
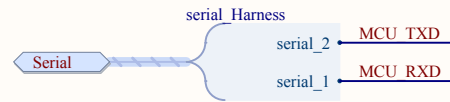
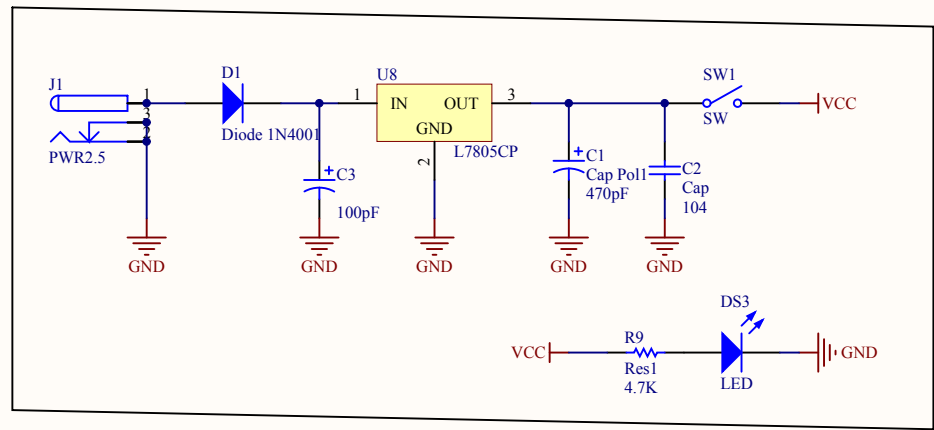


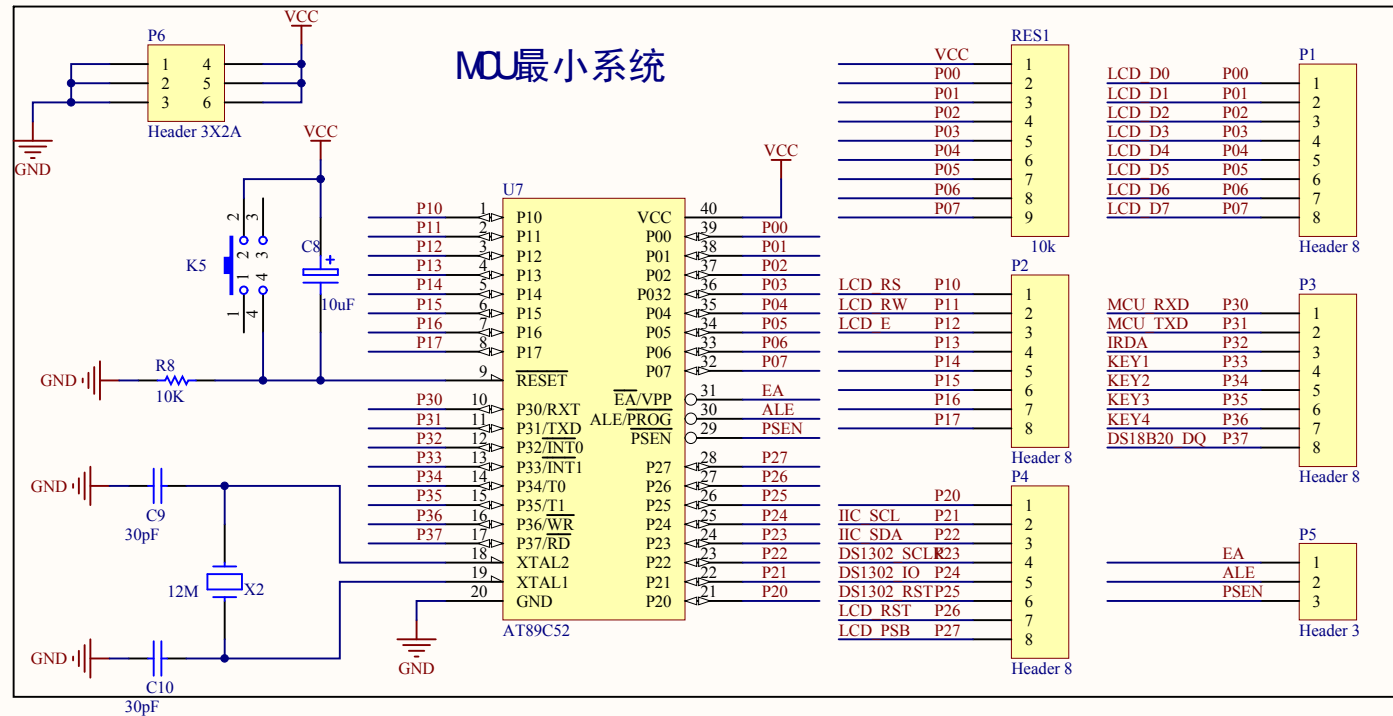
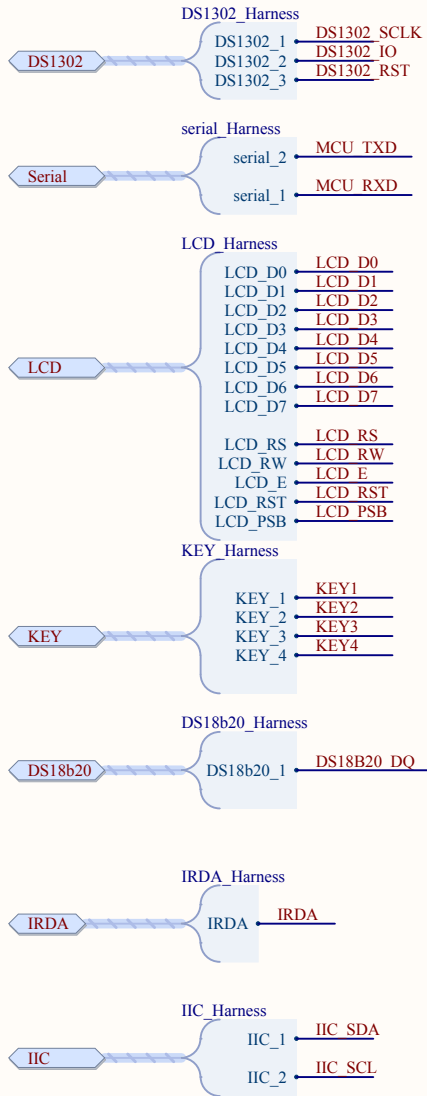
Title Top_Module			
Size: A4	Number: 1	Revision: V1.0	
Date: 2012-11-28	Time: 13:10:42	Sheet 1 of 1	
File: D:\Altium Designer Summer 09\My Project\52 \DIY-STC\PCB II\Top module.SchDoc			



Title Serial_Module			
Size: A4	Number: 1	Revision: V1.0	
Date: 2012-11-28	Time: 13:10:42	Sheet 1 of 1	
File: D:\Altium Designer Summer 09\My Project\52 \DIY-STC\PCB II\Serial_Module.SchDoc			

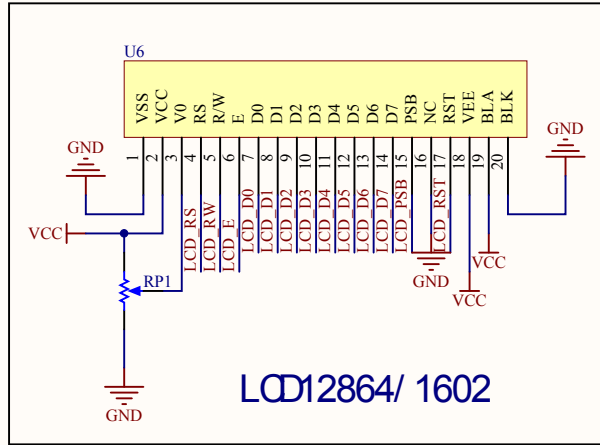
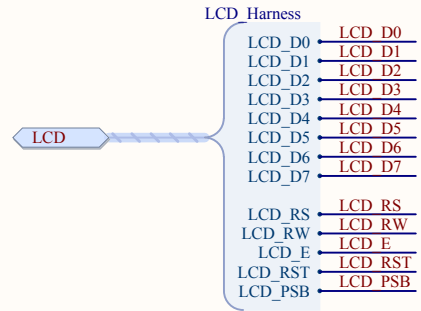


Title Power_Module			
Size: A4	Number: 1	Revision: V1.0	
Date: 2012-11-28	Time: 13:10:42	Sheet 1 of 1	
File: D:\Altium Designer Summer 09\My Project\52 \DIY-STC\PCB II\Power_Module.SchDoc			

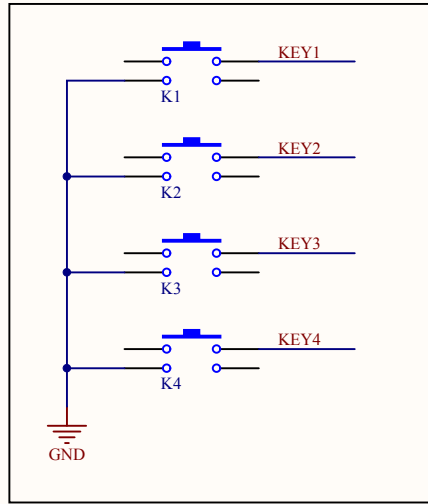
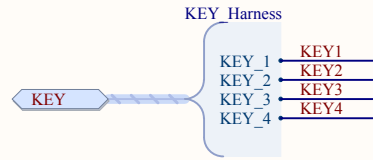


Title MCU_Module		
Size: A4	Number: 1	Revision: V1.0
Date: 2012-11-28	Time: 13:10:42	Sheet 1 of 1
File: D:\Altium Designer Summer 09\My Project\52 \DIY-STC\PCB IIMCU_Module.SchDoc		





Title LCD_Module			
Size: A4	Number: 1	Revision: V1.0	
Date: 2012-11-28	Time: 13:10:42	Sheet 1 of 1	
File: D:\Altium Designer Summer 09\My Project\52 \DIY-STC\PCB I\LCD Module.SchDoc			



Title KEY_Module			
Size: A4	Number: 1	Revision: V1.0	
Date: 2012-11-28	Time: 13:10:42	Sheet 1 of 1	
File: D:\Altium Designer Summer 09\My Project\52 \DIY-STC\PCB II\KEY Module.SchDoc			

1

2

3

4

A

A

B

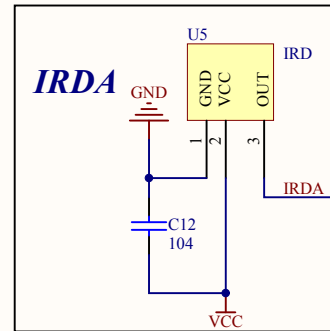
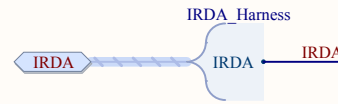
B

C

C

D

D



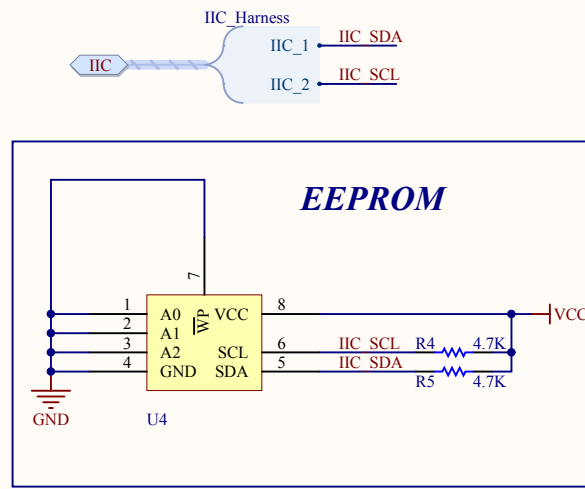
Title IRD_Module			
Size: A4	Number: 1	Revision: V1.0	
Date: 2012-11-28	Time: 13:10:43	Sheet 1 of 1	
File: D:\Altium Designer Summer 09\My Project\52 \DIY-STC\PCB IIRDA Module.SchDoc			

1

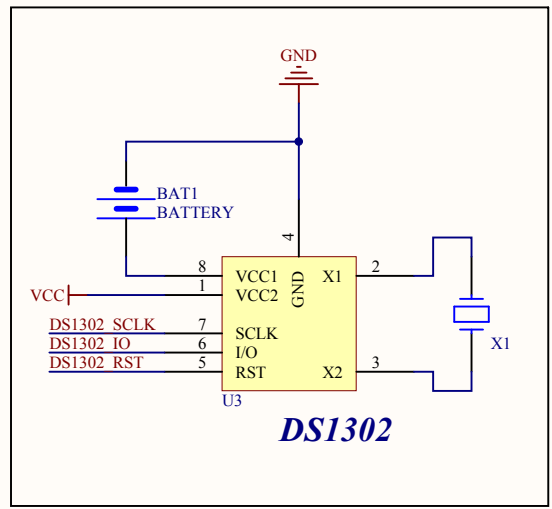
2

3

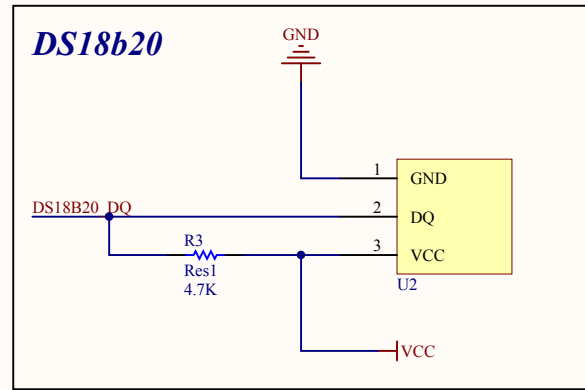
4



Title EEPROM_Module			
Size: A4	Number: 1	Revision: V1.0	
Date: 2012-11-28	Time: 13:10:43	Sheet 1 of 1	
File: D:\Altium Designer Summer 09\My Project\52 \DIY-STC\PCB IIEEPROM Module.SchDoc			



Title DS1302_Module			
Size: A4	Number: 1	Revision: V1.0	
Date: 2012-11-28	Time: 13:10:43	Sheet 1 of 1	
File: D:\Altium Designer Summer 09\My Project\52 \DIY-STC\PCB II\DS1302_Module.SchDoc			



Title DS18B20_Module			
Size: A4	Number: 1	Revision: V1.0	
Date: 2012-11-28	Time: 13:10:43	Sheet 1 of 1	
File: D:\Altium Designer Summer 09\My Project\52 \DIY-STC\PCB I\Ds18b20 Module.SchDoc			

Comment	Description	Designator	Footprint	LibRef	Quantity
BATTERY		BAT1	纽扣电池_小号	电池	1
Cap Pol1	Polarized Capacitor (Radial)	C1, C3	电解电容	Cap Pol1	2
Cap	Capacitor	C2	RAD-0.1	Cap	1
电容		C4, C5, C6, C7, C9, C10, C11, C12	瓷片电容	瓷片电容	8
电容		C8	CAPPR2-5x6.8	电解电容	1
Diode 1N4001	1 Amp General Purpose Rectifier	D1	DIO10.46-5.3x2.8	Diode 1N4001	1
LED		DS1, DS2, DS3	LED	LED	3
PWR2.5	Low Voltage Power Supply Connector	J1	KLD-0202	PWR2.5	1
serial poet		J2	Serial port	Serial port	1
按键		K1, K2, K3, K4, K5	四脚按键	四脚按键	5
Header 8	Header, 8-Pin	P1, P2, P3, P4	HDR1X8	Header 8	4
Header 3	Header, 3-Pin	P5	HDR1X3	Header 3	1
Header 3X2A	Header, 3-Pin, Dual row	P6	HDR2X3_CEN	Header 3X2A	1
Res1	Resistor	R1, R2, R3, R4, R5, R8, R9	AXIAL-0.3	Res1	7
Header 9	Header, 9-Pin	RES1	HDR1X9	Header 9	1
RPot		RP1	W103	W103 电位器	1
SW		SW1	SW6	SW6	1
MAX232		U1	MAX232	MAX232	1
DS18B20		U2	DS18B20	DS18B20	1
DS1302		U3	DS1302	DS1302	1
IIC24CXX		U4	IIC24CXX	IIC24CXX	1
IRD		U5	HS3800	HS3800	1
LCD12864		U6	LCD12864	LCD12864	1
AT89C52		U7	AT89C52	AT89C52	1
L7805CP		U8	L7805CP	L7805CP	1
32.768k		X1	32.768k 晶振	32.768k 晶振	1
12M晶振		X2	12M晶振	12M晶振	1