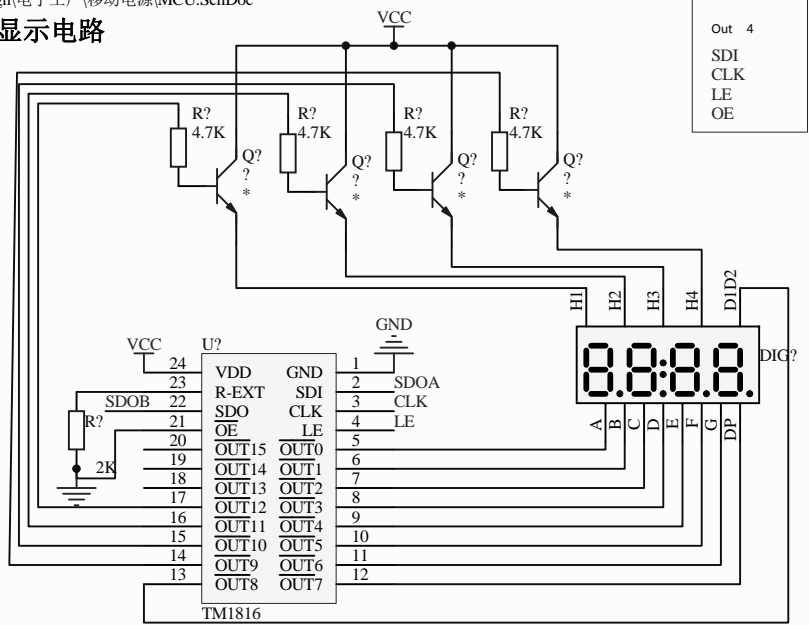
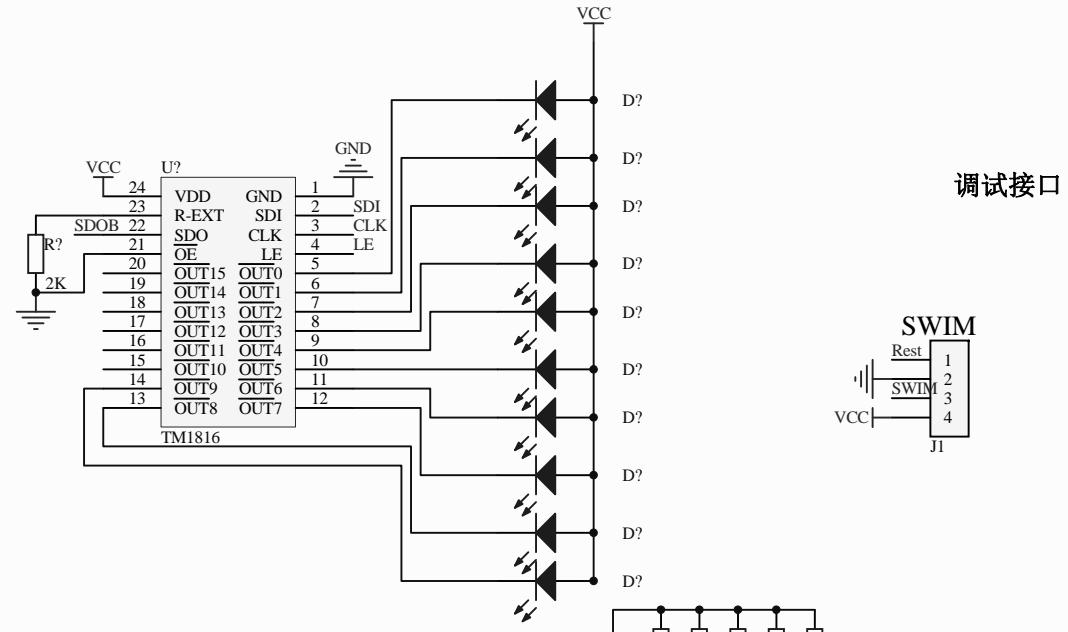


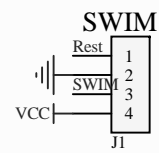
显示电路



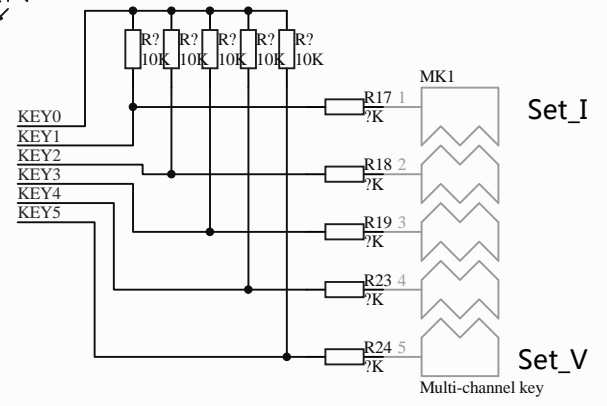
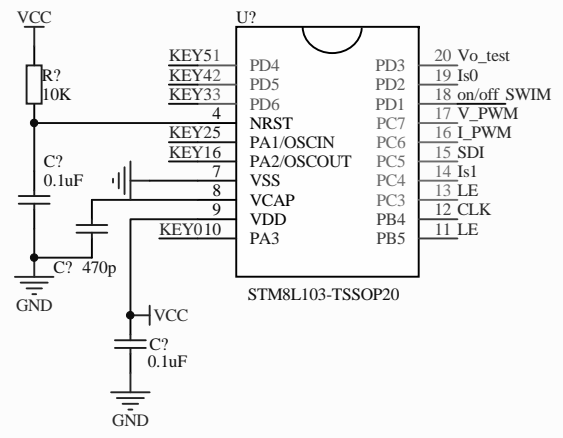
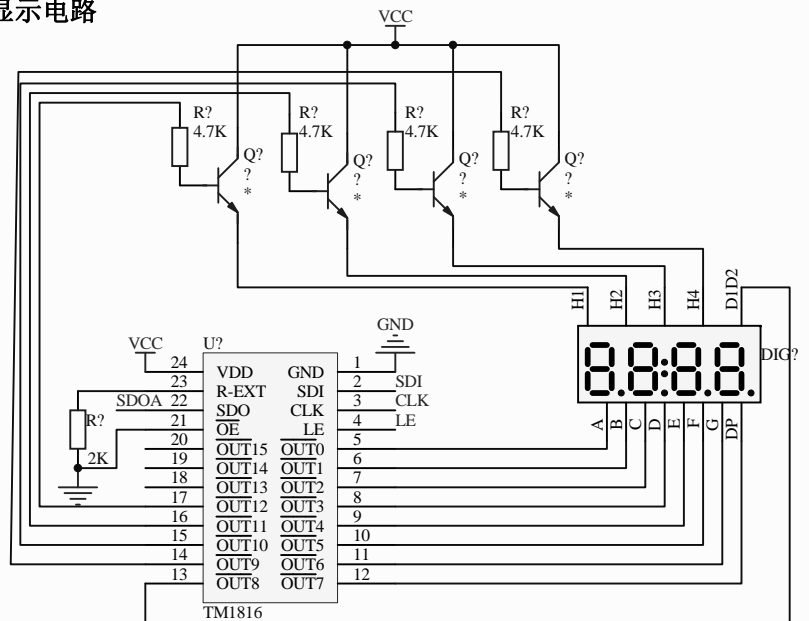
Out 4
SDI
CLK
LE
OE




调试接口



显示电路



	Title: Design of CatLab	Version: 1.0
	Author: PomCat	
	CheckedBy: *	
Description:		
2011/1/13		