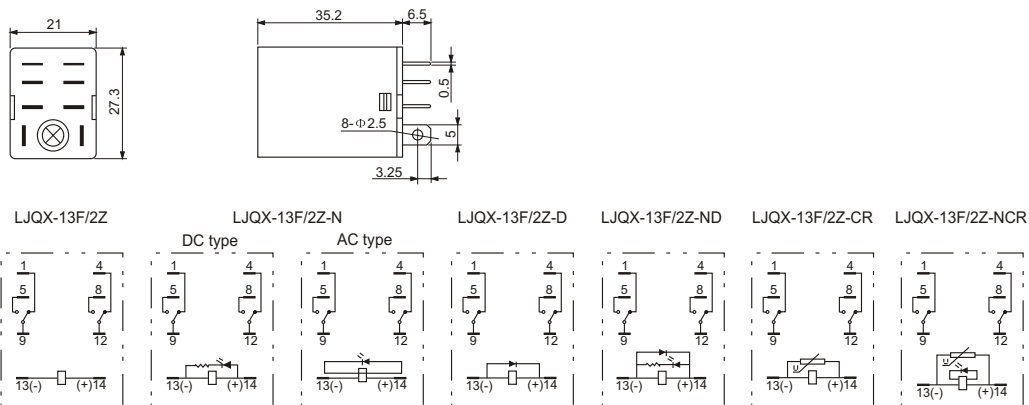


LJQX-13F 系列 Series

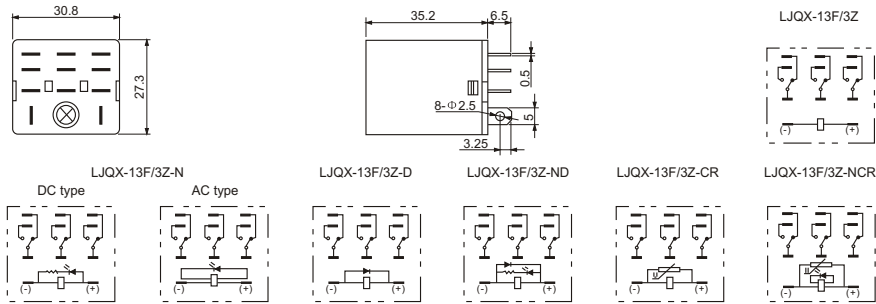


產品型號 Model	LJQX-13F-2Z	LJQX-13F-3Z	LJQX-13F-4Z
外形尺寸(毫米) Dimension(mm)	27.3×21×35.2	30.8×27.3×35.2	41×27.3×35.2
觸點形式 Contact Form	2Z 2H 2D	3Z 3H 3D	4Z 4H 4D
觸點材料 Contact Material	銀合金 Silver alloy		
觸點容量阻性 Resistance Performance Of Contactor Capacity	10A/28VDC 10A/240VAC		
繞圈功率Coil Power at 23°C	DC(W)	1Z 2Z≤0.9W, 3Z≤1.5W, 4Z≤1.6W	
	AC(VA)	1Z 2Z≤1.2VA, 3Z≤2VA, 4Z≤2.5VA	
繞圈電壓Coil Voltage	DC(V)	6~220V	
	AC(V)	6~380V	
吸合電壓 Pick-up Voltage at 23°C	DC≤75% AC≤80%		
釋放電壓 Drop-out Voltage at 23°C	DC≥10% AC≥30%		
最大電壓 Max Voltage at 23°C	110%		
接觸電阻 Contact Resistance(at 6VDC 1A)	≤ 100mΩ		
介質耐壓 Dielectric Strength	開路觸點間 Between Open Contacts	≥ 1200VAC 50Hz/1min 漏電流 Leakage current 1mA	
	觸點組間 Contacts pieces	≥ 1500VAC 50Hz/1min 漏電流 Leakage current 1mA	
	繞圈觸點間 Between Coil & Contacts	≥ 1500VAC 50Hz/1min 漏電流 Leakage current 1mA	
絕緣電阻 Insulation Resistance(MΩ) at 500VDC	≥ 500MΩ		
工作壽命 Service life	電氣(次) Electrical	10 ⁵ Times(頻率Frequency: 通On1次Time/1S, 斷Off1次Time/1S)	
	機械(次) Mechanical	10 ⁶ Times(頻率Frequency: 300次Time/1min)	
環境溫度 Ambient Temperature	-25°C~+55°C		
引出端形式 Terminal type	插入式Insert type, 焊接式Welding type		
配用插座 Suitable socket	LPTF08A	LPTF11A	LPTF14A
產品重量(g) Product Weight	40g	50g	60g
同類型參照 Same Reference	HH62P、LY2	HH63P、LY3	HH64P、LY4

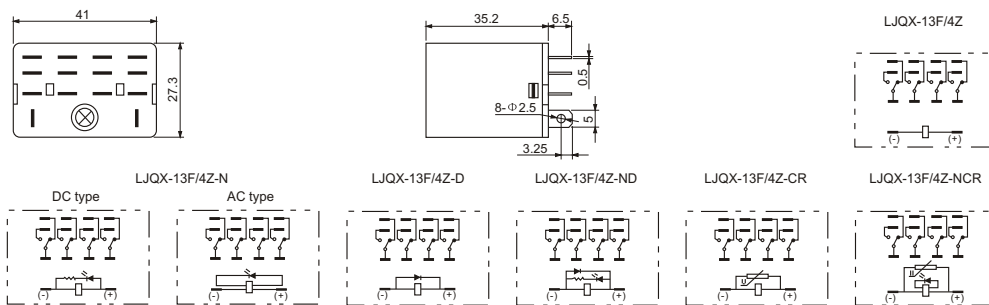
LJQX-13F-2Z 安裝尺寸和接線圖 Installation dimensions and connecting diagram



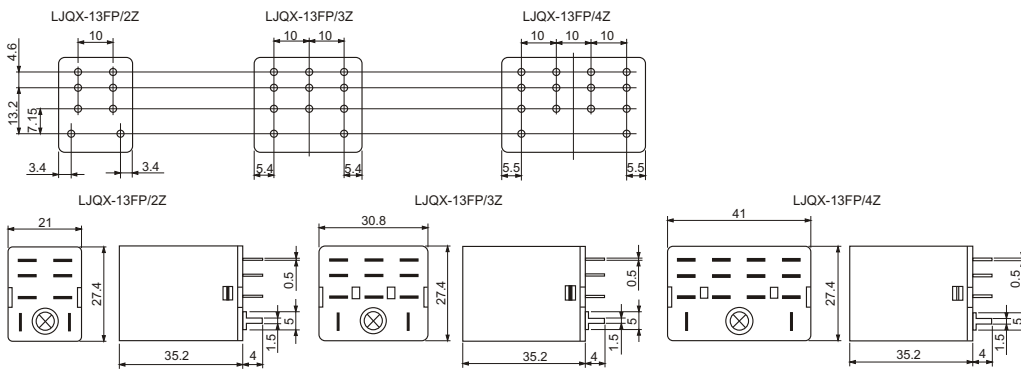
LJQX-13F-3Z 安裝尺寸和接綫圖 Installation dimensions and connecting diagram



LJQX-13F-4Z 安裝尺寸和接綫圖 Installation dimensions and connecting diagram



LJQX-13FP-2Z、LJQX-13FP-3Z、LJQX-13FP-4Z 安裝尺寸和接綫圖 Installation dimensions and connecting diagram



LJQX-13FB-2Z、LJQX-13FB-3Z、LJQX-13FB-4Z 安裝尺寸和接綫圖 Installation dimensions and connecting diagram

