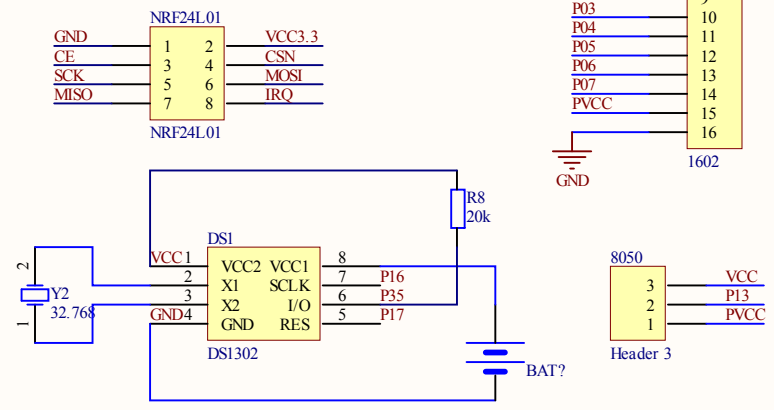
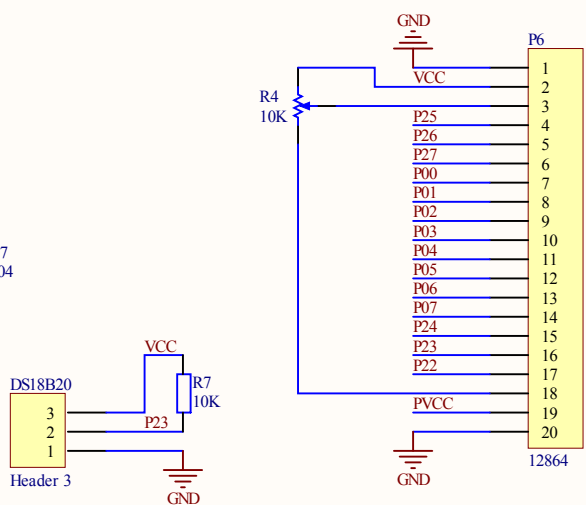
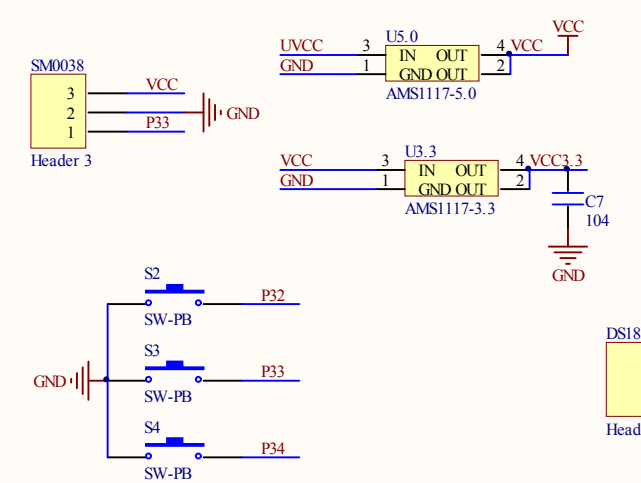
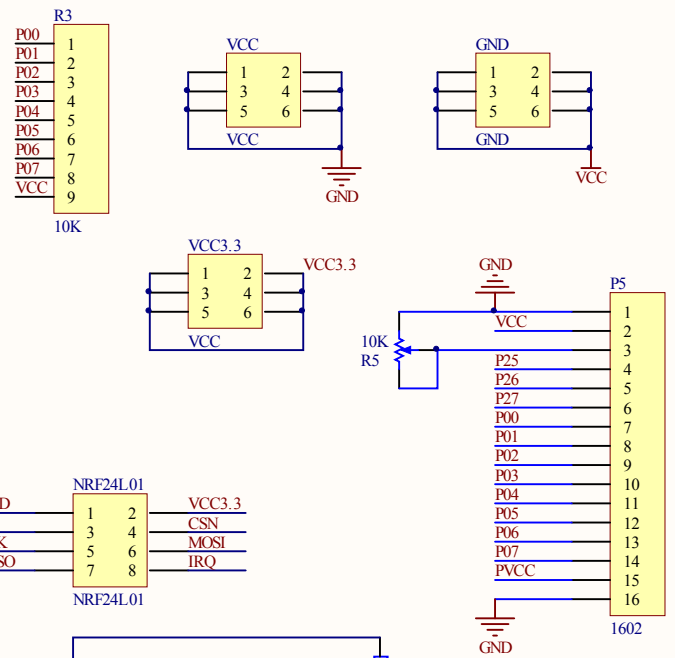
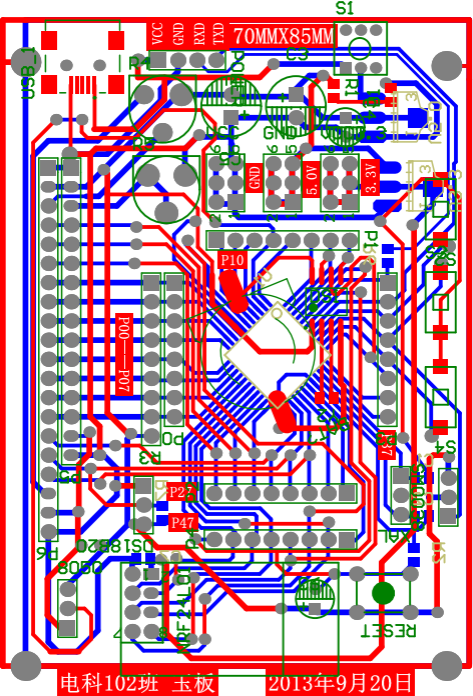


P15	1	MOSI/ADC5/P1.5	SS/CCP1/ADC4/P1.4	44	P14
P16	2	MISO/ADC6/P1.6	TxD2/CCP0/ADC3/P1.3	43	P13
P17	3	SCLK/ADC7/P1.7	RxD2/EC1/ADC2/P1.2	42	P12
RESET	P47	4	RST1/P47	41	P11
RXD	P30	5	INT1/P47	40	P10
SCK	P43	6	SCLK/TxD2/CCP1/P4.3	39	P42
TXD	P31	7	ADC0/P1.0/CLKOUT2	38	VCC
P32	8	TXD/P3.1	P4.2/CCP0/MISO/RxD2	37	P00
P33	9	INT0/P3.2	VCC	36	P01
P34	10	INT1/P3.3	P0.0	35	P02
P35	11	CLKOUT0/INT1/T0/P3.4	P0.1	34	P03
P36	12	CLKOUT1/INT1/T1/P3.5	P0.2	33	P04
P37	13	WR/P3.6	P0.3	32	P05
X1	14	RD/P3.7	P0.4	31	P06
X2	15	XTAL2	P0.5	30	P07
GND	16	XTAL1	P0.6	29	P46
P40	17	GND	P0.7	28	P41
P20	18	GND	P4.6/EX.LVD/RST2	27	P45
P21	19	SS/P4.0	P4.1/EC1/MOSI	26	P44
P22	20	P20/A8	ALE/P4.5	25	P27
P23	21	P2.1/A9	NA/P4.4	24	P26
P24	22	P2.2/A10	P2.7/A15	23	P25
		P2.3/A11	P2.6/A14		
		P2.4/A12	P2.5/A13		



Title		
Size	Number	Revision
A4		
Date:	2014/7/10	Sheet of
File:	E:\ _STC12C5A	.SchDpDrawn By:



Comment	Description	Designator	Footprint	LibRef	Quantity
Header 3	Header, 3-Pin	8050, DS18B20, SM0038	HDR1X3	Header 3	3
BATT		BAT?	BATM	BAT	1
33PF	Capacitor	C1, C2	6-0805	Cap	2
100PF	Polarized Capacitor (Radial)	C3	CAP3.0	Cap Pol1	1
0.1U	Capacitor	C4	CAP2.54	Cap	1
103	Capacitor	C5	CAP3.0	Cap	1
10UF	Polarized Capacitor (Radial)	C6	CAP2.54	Cap Pol1	1
104		C7	6-0805	C	1
POWER	Typical INFRARED GaAs LED	D1	6-0805	LED0	1
DS1302		DS1	8S2_M	DS1302	1
GND	Header, 3-Pin, Dual row	GND	HDR2X3	Header 3X2	1
NRF24L01	Header, 4-Pin, Dual row	NRF24L01	NRF24L01	Header 4X2	1
P0	Header, 8-Pin, Right Angle	P0	HDR1X8	Header 8H	1
P1	Header, 8-Pin, Right Angle	P1	HDR1X8	Header 8H	1
P2	Header, 8-Pin, Right Angle	P2	HDR1X8	Header 8H	1
P3	Header, 8-Pin, Right Angle	P3	HDR1X8	Header 8H	1
P4	Header, 8-Pin, Right Angle	P4	HDR1X8	Header 8H	1
1602	Header, 16-Pin	P5	HDR1X16	Header 16	1
12864	Header, 20-Pin	P6	HDR1X20	Header 20	1
POWER	Header, 4-Pin	POWER	HDR1X4	Header 4	1
1K	Resistor	R1, R6	6-0805	R, Res3	2
10K	Resistor	R2, R7	6-0805	R, Res3	2
10K	Header, 9-Pin	R3	HDR1X9	Header 9	1
10K	Square Trimming Potentiometer	R4, R5	LANBAI	RPot SM	2
20k		R8	6-0805	R	1
RESET	Switch	RESET	KEY_M	SW-PB	1
POWER	Single-Pole, Single-Throw Switch	S1	BOTTOM	SW-SPST	1
SW-PB	Switch	S2, S3, S4	SW-PB	SW-PB	3
STC12C5A		U1	LQFP44	STC12C5A	1
AMS1117-3.3		U3.3	AMS1117	AMS1117	1
AMS1117-5.0		U5.0	AMS1117	AMS1117	1
USB		USB_1	USB/SM0.8-6H5	USB5	1
VCC	Header, 3-Pin, Dual row	VCC, VCC3.3	HDR2X3	Header 3X2	2
12M	Header, 3-Pin, Right Angle	XAL	HDR1X3	Header 3H	1
32.768	Crystal Oscillator	Y2	6-0805	XTAL	1