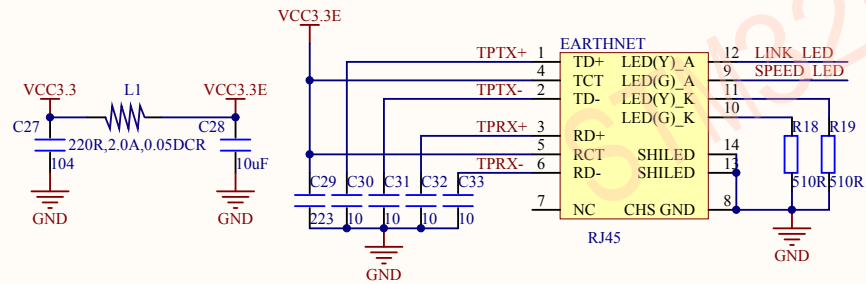
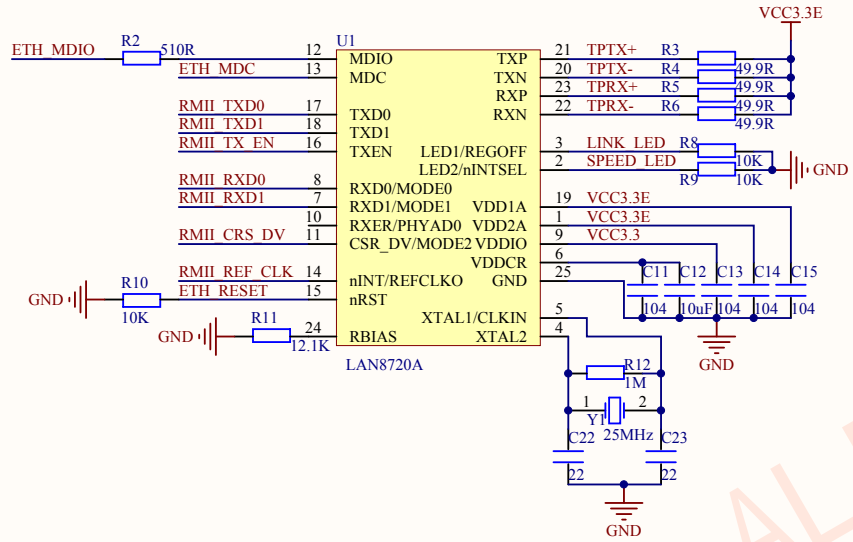
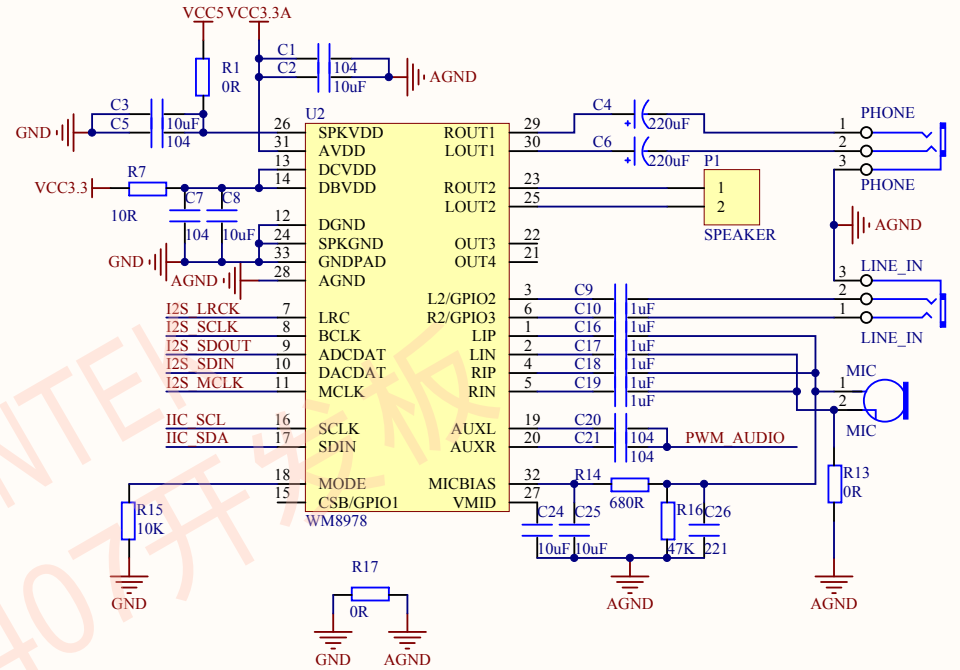


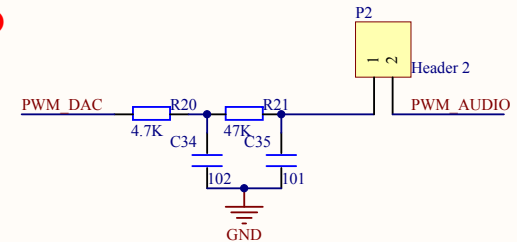
# EARTHNET



# I2S DAC&ADC

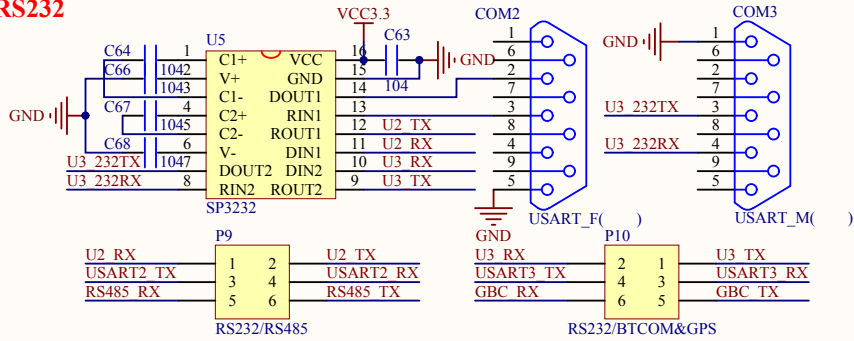


# PWM DAC/AUDIO

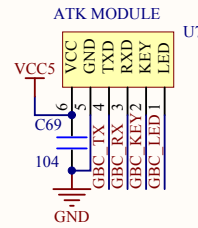




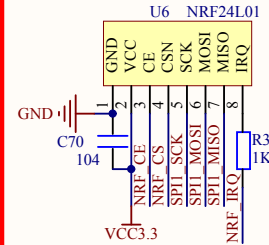
### RS232



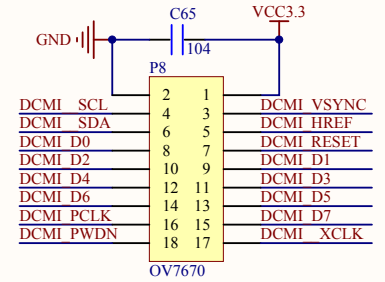
### ATK MODULE



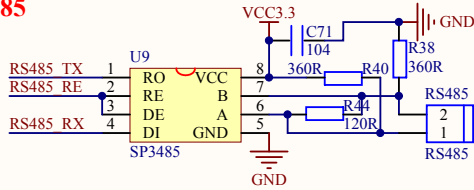
### WIRELESS



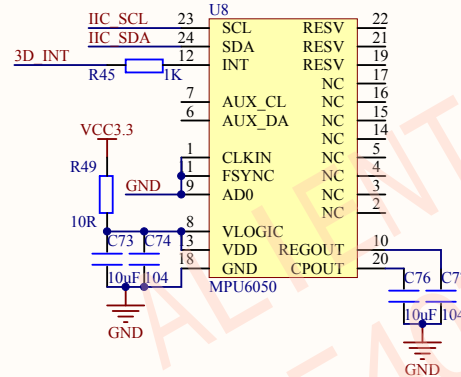
### OLED&CAMERA



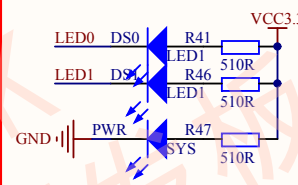
### RS485



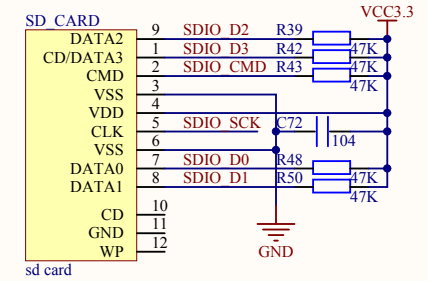
### 6 AXIS SENSOR



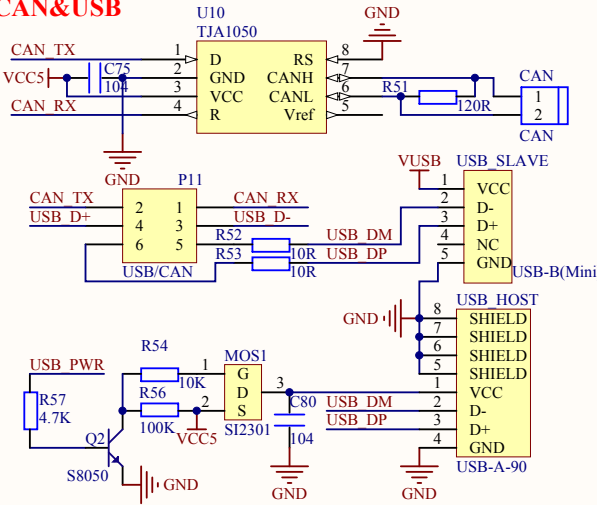
### LED



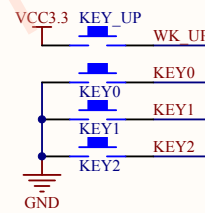
### SD CARD



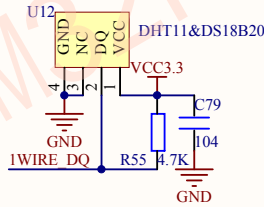
### CAN&USB



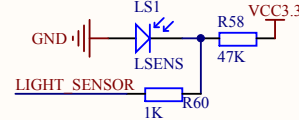
### KEY



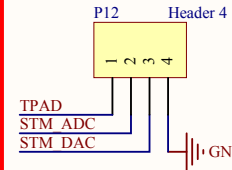
### TEMP&HUMI SENSOR



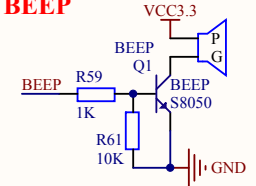
### LIGHT\_SENSOR



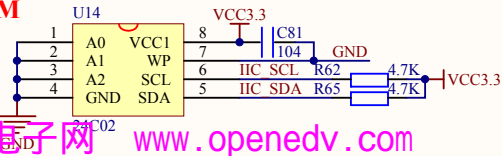
### ADC&DAC



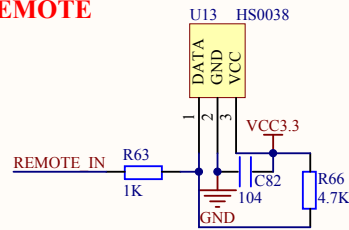
### BEEP



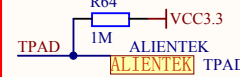
### EEPROM



### REMOTE



### TOUCH\_KEY

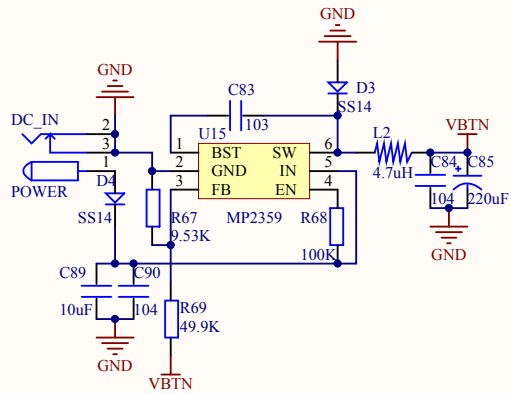


Title: STM32F407 EXPLORER DEVICES  
Author: ATOM@ALIENTEK  
Date: 2014/12/16  
Revision: V1.5

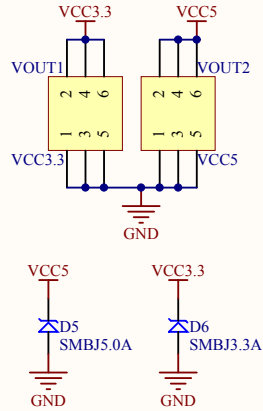
Size: SheetSize  
File: DEVICE.SchDoc  
Version: Version



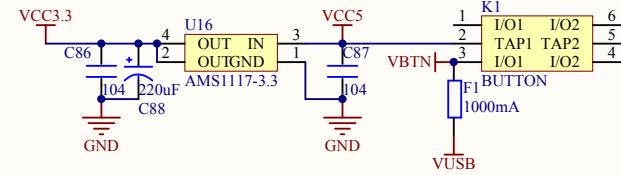
## DC POWER IN



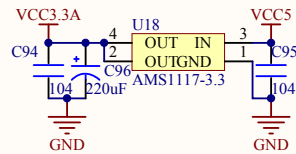
## ON BOARD POWER SOURCE



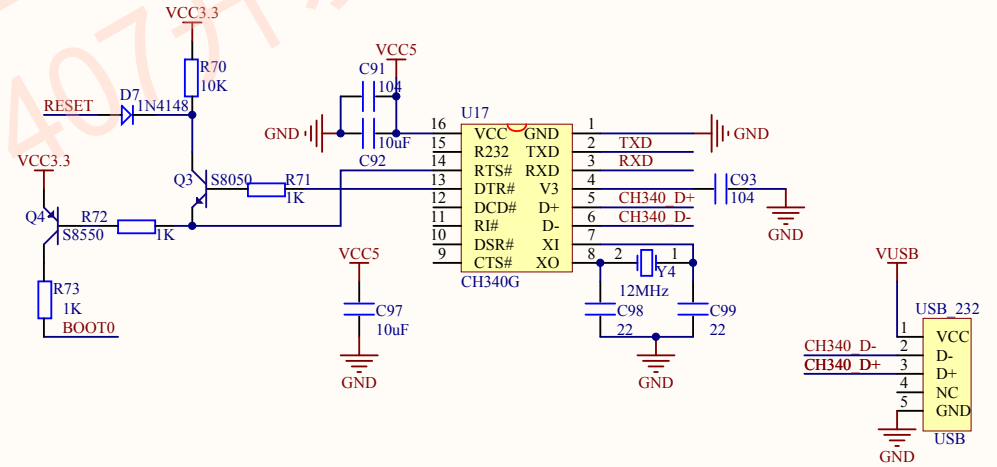
## 3.3V & POWER SWITCH

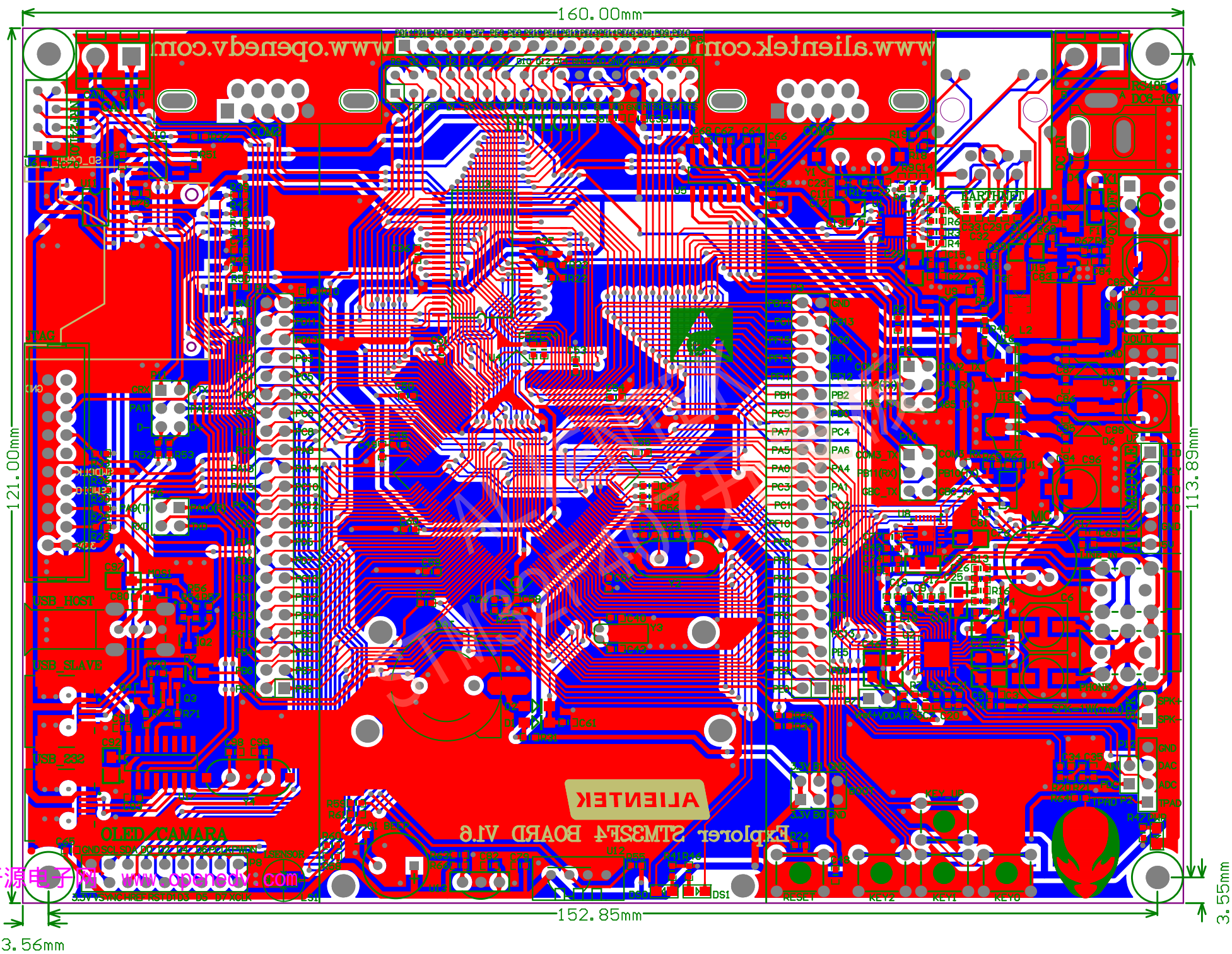


## WM8978 ANALOG POWER



## USB USART&USB POWER





开源电子网 [www.openedv.com](http://www.openedv.com)

3.56mm

152.85mm

3.55mm