

eZEM F5529 Device, JTAG, LEDs, XTAL

TITLE: MSP-EXP430F5529_2_0

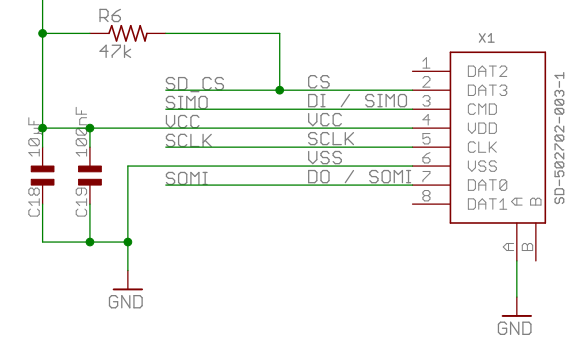
Document Number:

REV:
2.0

Date: 10/19/2010 4:35:40 PM

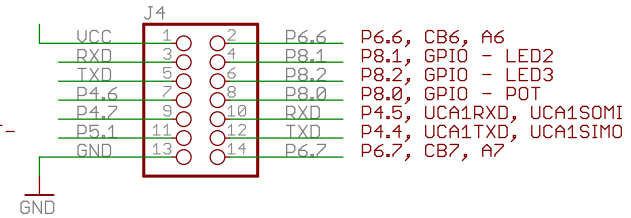
Sheet: 1/7

microSD Memory Card Interface

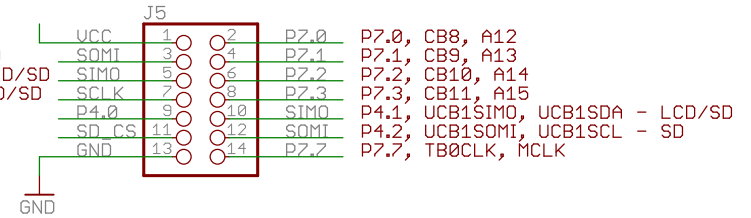


F5529 Pin Access Headers

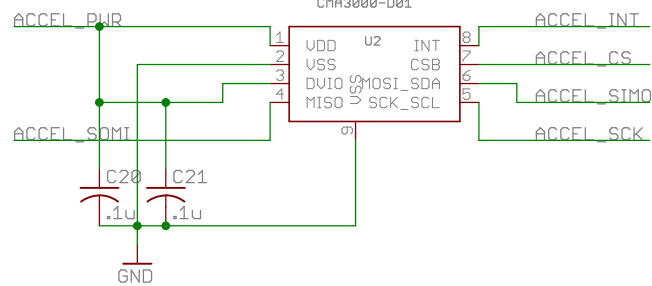
P4.5, UCA1RXD, UCA1SOMI
 P4.4, UCA1TXD, UCA1SIMO
 P4.6, GPIO - RF
 P4.7, GPIO - RF
 P5.1, A9, UREF-, VeREF-



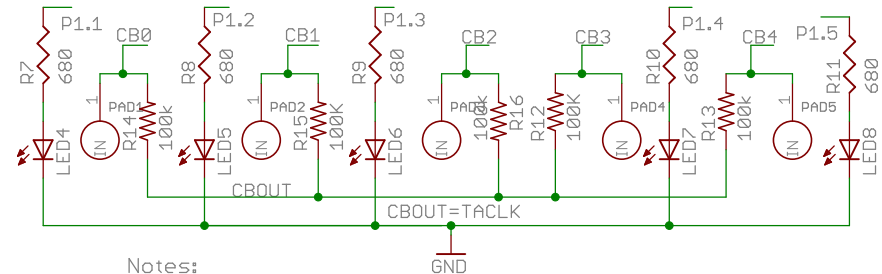
P4.2, UCB1SOMI, UCB1SCL - SD
 P4.1, UCB1SIMO, UCB1SDA - LCD/SD
 P4.3, UCB1CLK, UCA1STE - LCD/SD
 P4.0, UCB1STE, UCA1CLK - RF
 P3.7, TB0OUTH, SUMOUT - SD



Accelerometer



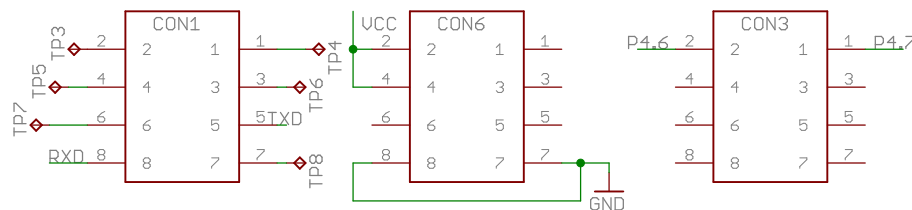
Touch Pads



Notes:

- 1- Keep touch pad R's & LEDs near pads; clean routing to MSP430
- 2 - Functionality to be as clear as possible in SILK of layout

CC430 EM Interface Headers



eZEV F5529 Cap Touch, miniSD, Accel, RF

TITLE: MSP-EXP430F5529_2_0

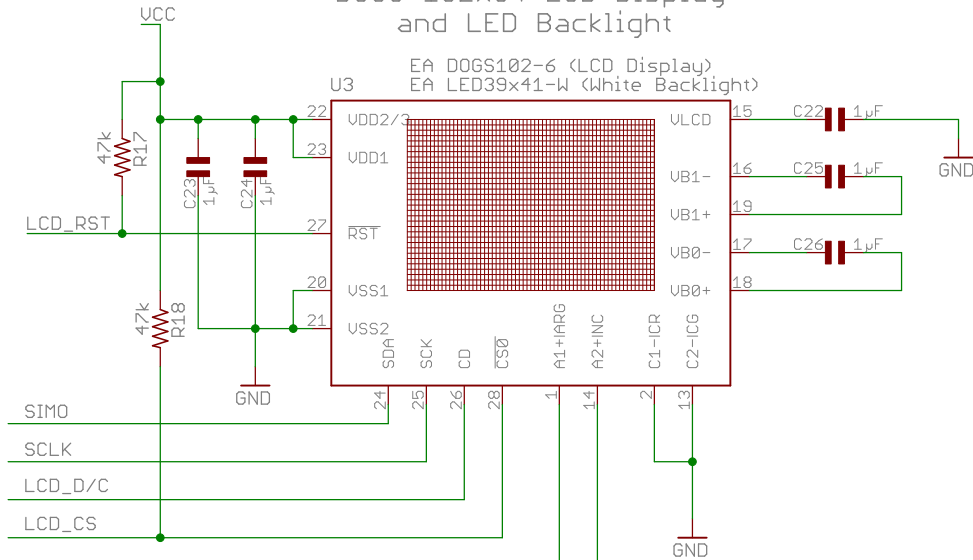
Document Number:

REV:
2.0

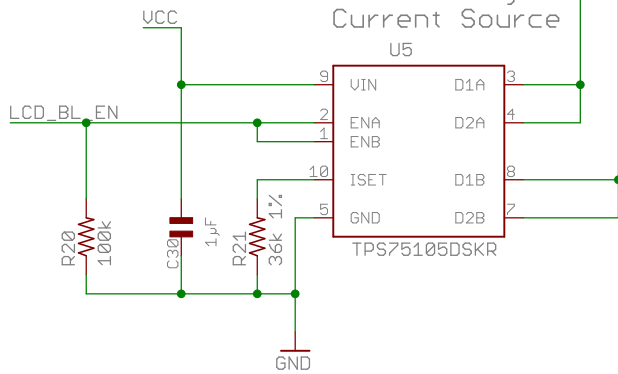
Date: 10/19/2010 4:35:40 PM

Sheet: 2/7

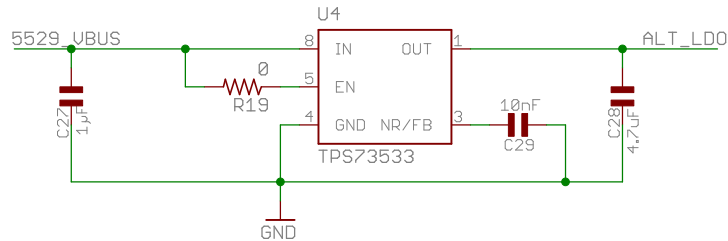
DOGS 102x64 LCD Display and LED Backlight



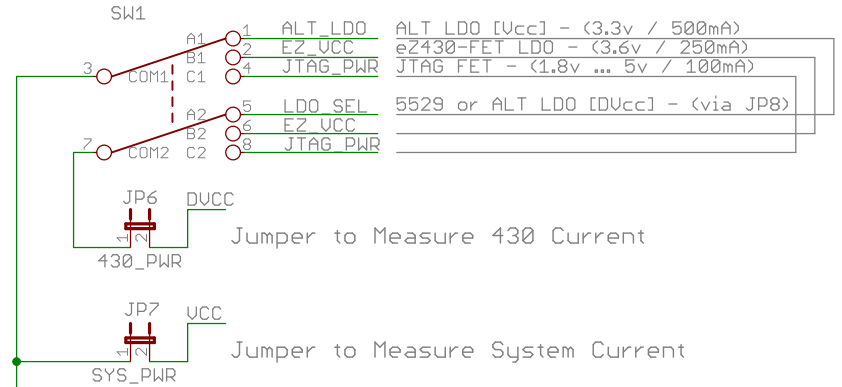
LED Backlight Current Source



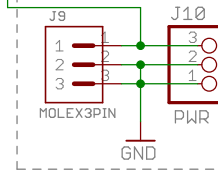
Alternate LDO (3.3v / 500mA)



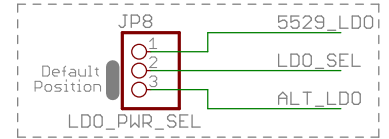
F5529 EVM Power Selection



External Battery or Power Supply Input

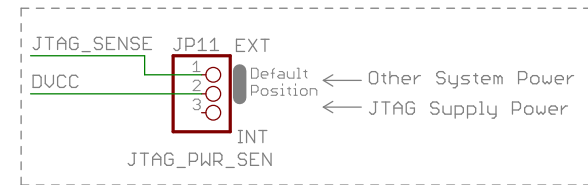


LDO Power Selection for 5529 DVCC



For External Battery Operation: Select 'JTAG_PWR' on Power Select (SW1) and 'EXT' on JTAG Sense Select Jumper (JP8)

JTAG External / Internal Power Sense Select



eZEVM F5529 LCD, Power Selection, Alt LDO

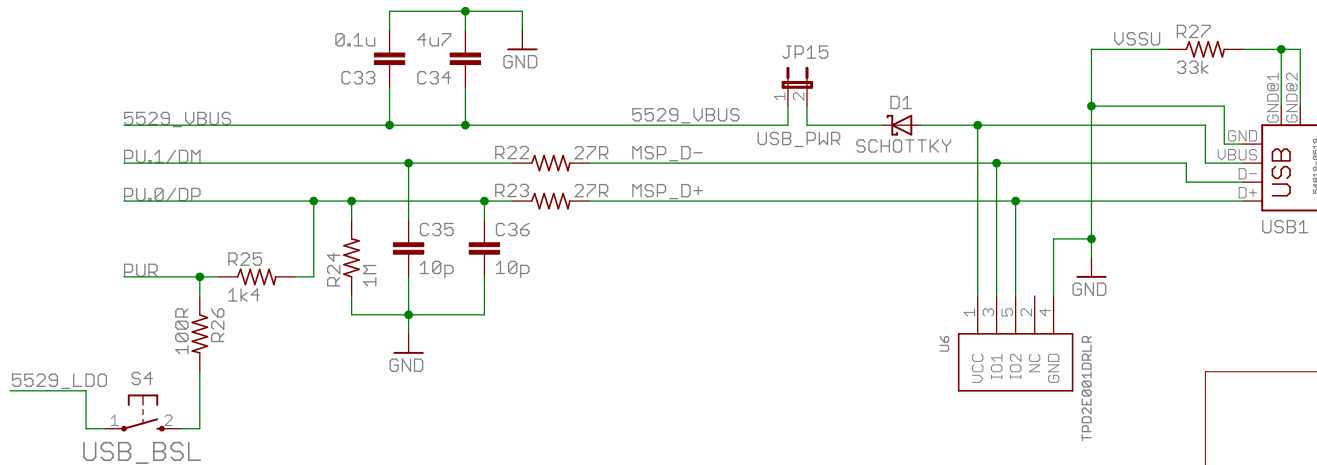
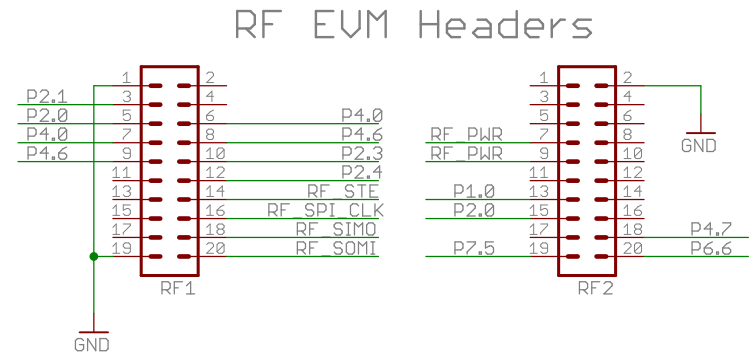
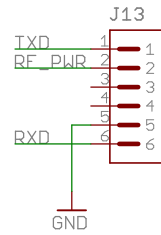
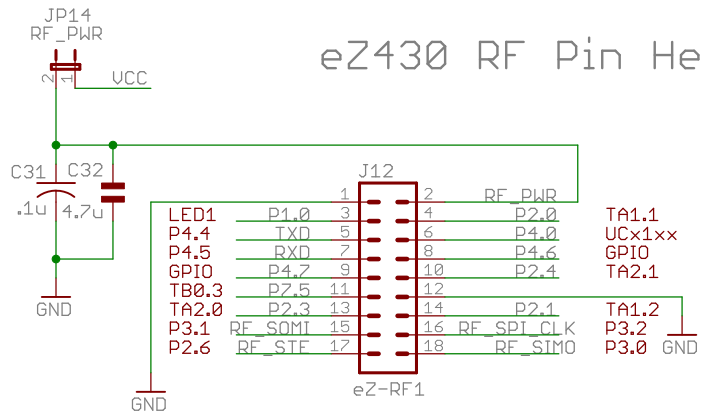
TITLE: MSP-EXP430F5529_2_0

Document Number:

REV:
2.0

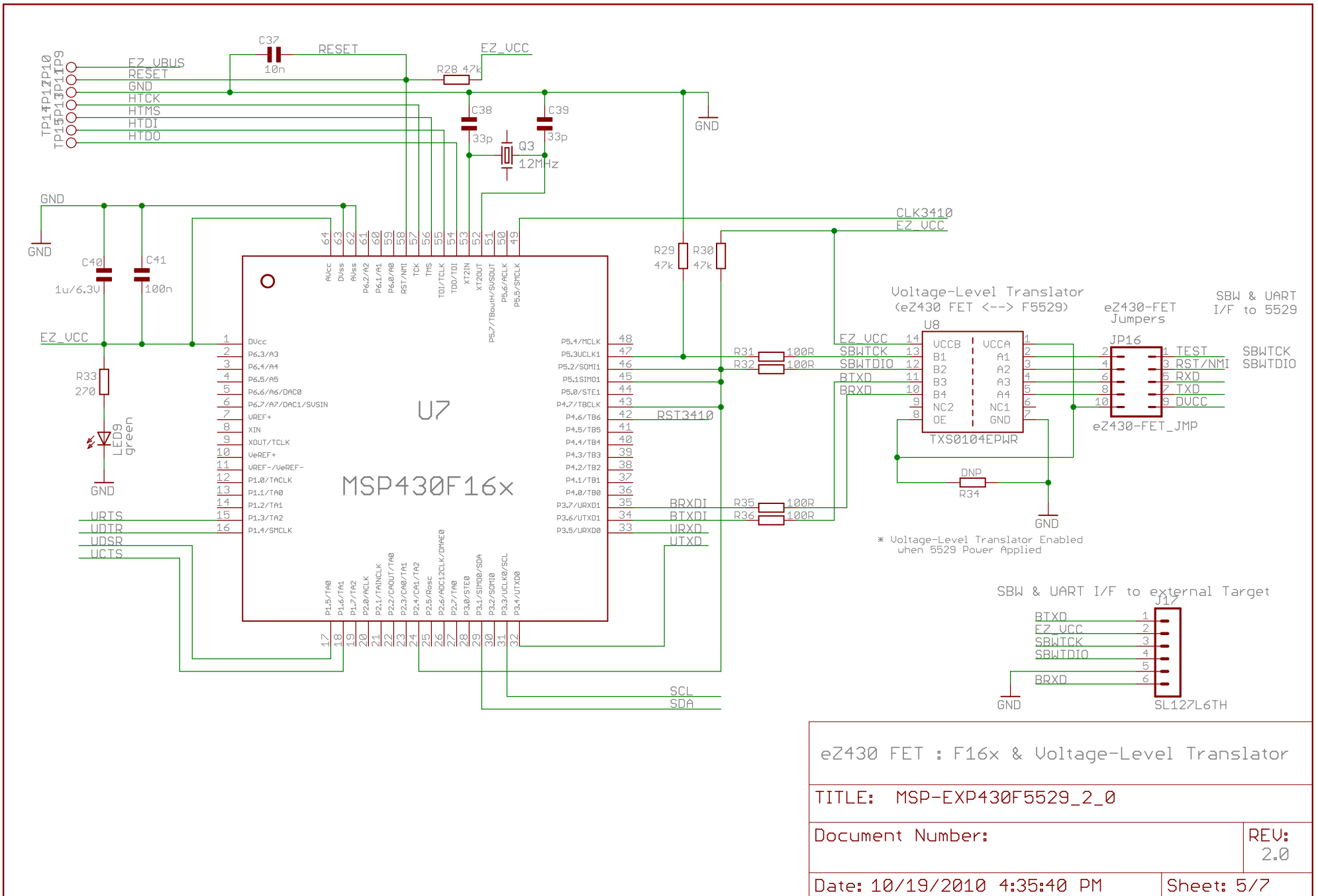
Date: 10/19/2010 4:35:40 PM

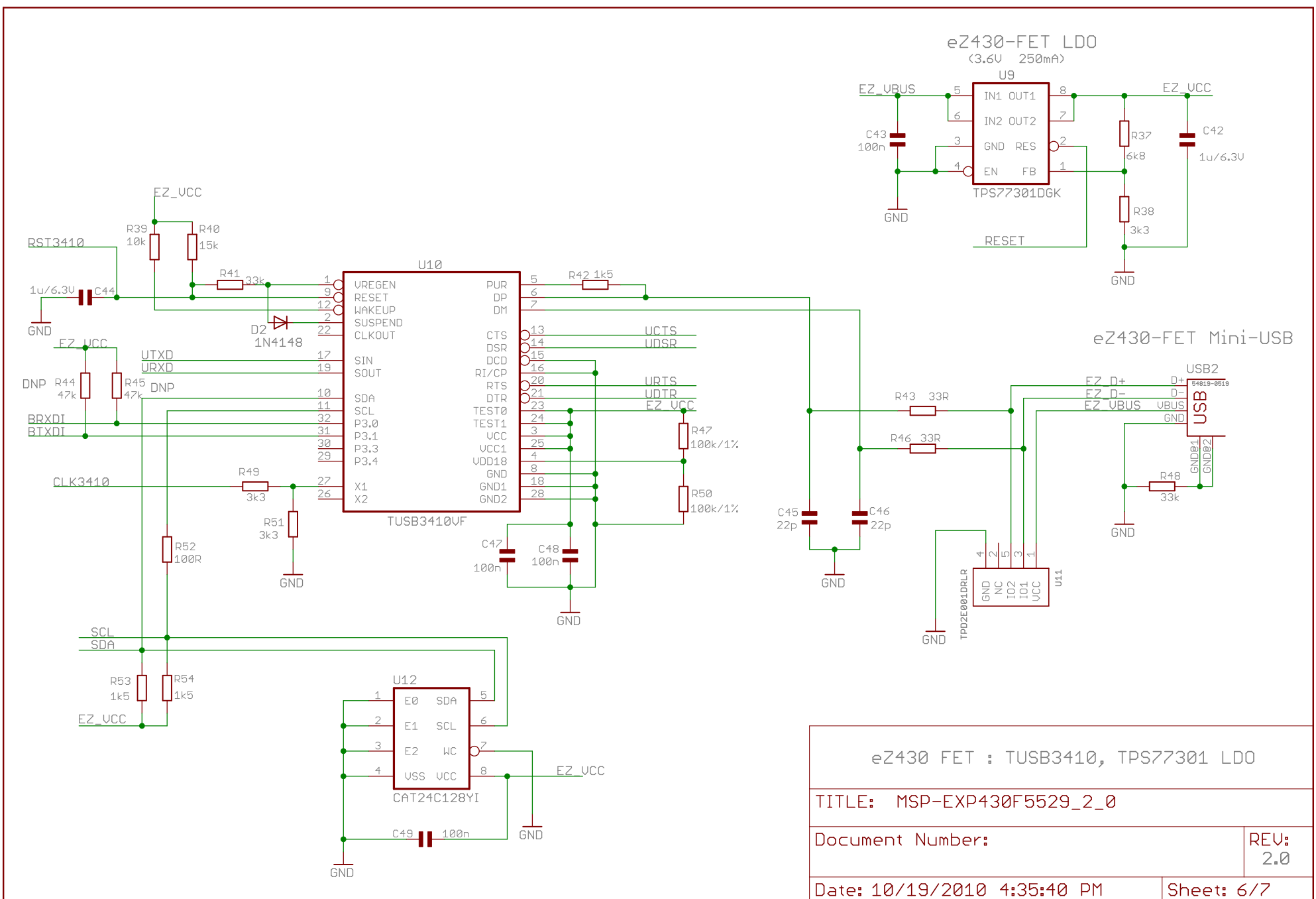
Sheet: 3/7



F5529 Mini-USB

eZEVM F5529 USB & Headers	
TITLE: MSP-EXP430F5529_2_0	
Document Number:	REV: 2.0
Date: 10/19/2010 4:35:40 PM	Sheet: 4/7





eZ430 FET : TUSB3410, TPS77301 LDO	
TITLE: MSP-EXP430F5529_2_0	
Document Number:	REV: 2.0
Date: 10/19/2010 4:35:40 PM	Sheet: 6/7

Revision History

PCB Revision 2.0
(See PCB Revision 1.0 for Previous Revision History)

09.26.2010

Added e2430-FET to F5529 Voltage-Level Translator (TXS0104E).
Added Alternate LDO (TPS73533) Option for Vcc System Power.
Added DOGS 102x64 Dot-Matrix LCD and White LED Backlight.
Added LED Backlight Driver (TPS75105).
Modified power selection for Vcc and DVcc.
Removed extra headers and prototype area.
Extensive PCB Layout Rearrangement.
Modified RF Headers for Additional EUM Capability.

TITLE: MSP-EXP430F5529_2_0	
Document Number:	REV: 2.0
Date: 10/19/2010 4:35:40 PM	Sheet: 7/7