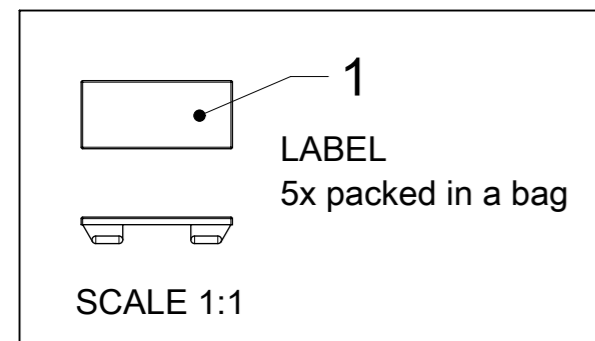


**TABLE 1**

MOLEX P/N	ENG. NO.	CABLE LENGTH (mm)	LED
1202480001	BTB4000-FBW-05	5000	NO
1202480002	BTB4000-FBW-10	10000	NO
1202480003	BTB4000-FBW-15	15000	NO
1202480004	BTB400P-FBW-05	5000	YES
1202480005	BTB400P-FBW-10	10000	YES
1202480006	BTB400P-FBW-15	15000	YES
1202480007	BTB400N-FBW-05	5000	YES
1202480008	BTB400N-FBW-10	10000	YES
1202480009	BTB400N-FBW-15	15000	YES

**TABLE 2 BILL OF MATERIAL**

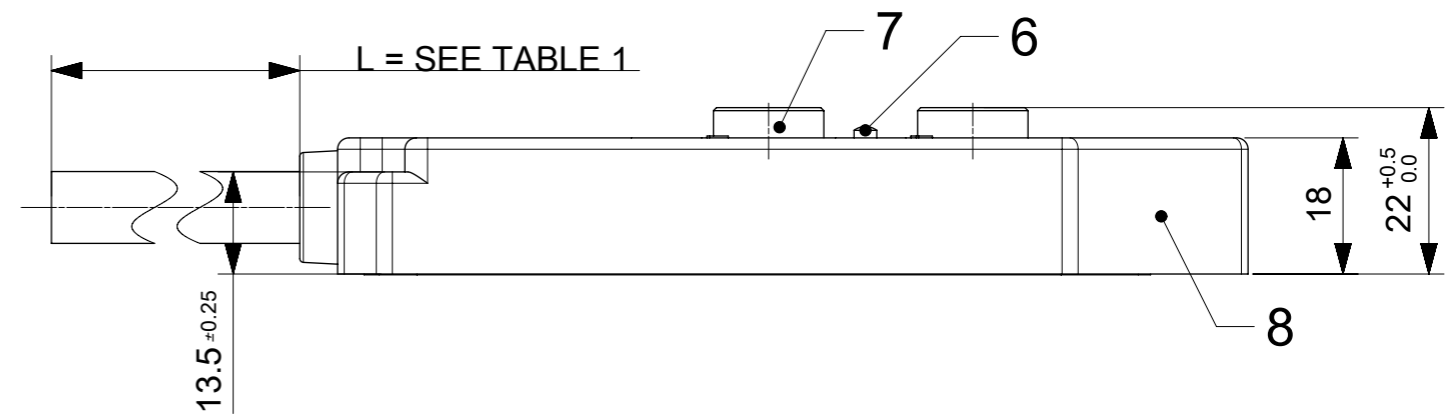
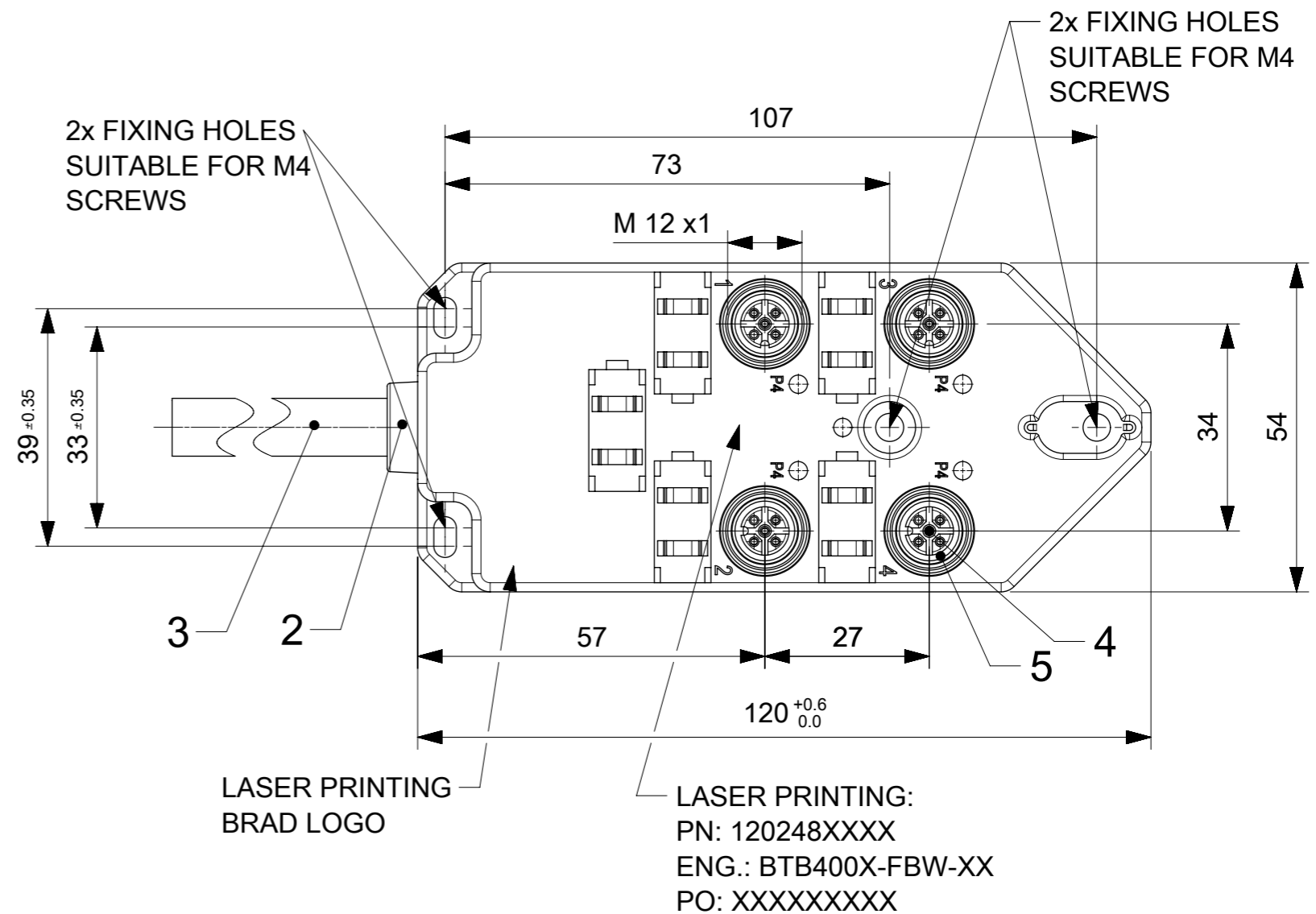
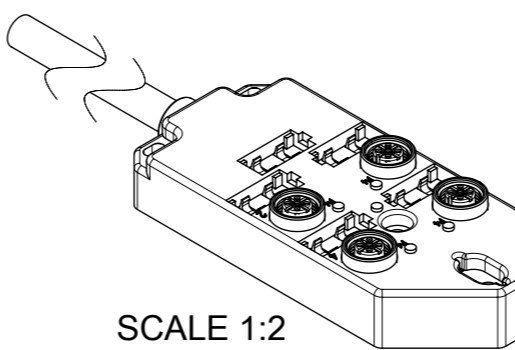
ITEM	DESCRIPTION	MATERIAL	FINISH
1	LABEL	ABS	WHITE
2	CABLE PLATE	PBT	BLACK
3	CABLE	TPU BASED	BLACK
4	CONTACT	BRONZE	GOLD OVER NICKEL
5	O-RING	FPM	RED
6	LED	NO LED = PA	BLACK
		WITH LED = PA	TRANSPARENT
7	SHELL	BRASS	NICKEL PLATED
8	HOUSING	PBT	BLACK



**GENERAL CHARACTERISTICS:**

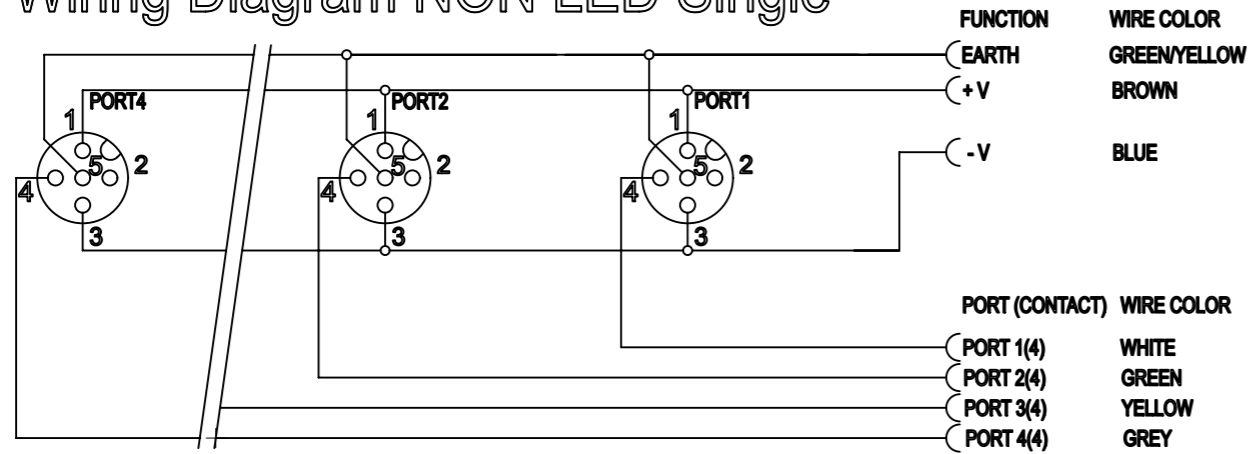
ELECTRICAL AND MECHANICAL DATA ACC. TO IEC 61076-2-101

NOMINAL VOLTAGE: 10-30 V DC  
 AMPERE RATING: 4 A PER PORT / 12 A MAX  
 AMPERE RATING WITH UL REGISTRATION: 3 A PER PORT / 9 A MAX  
 IP DEGREE OF PROTECTION: IP 67  
 TEMPERATURE RANGE: -25°C to + 85°C

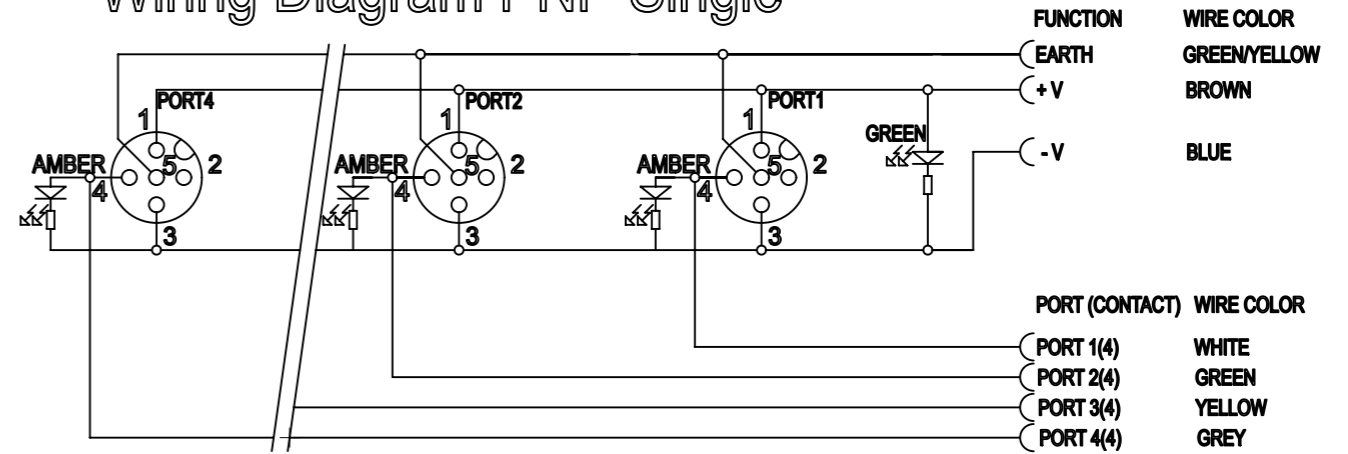


SYMBOLS		THIS DRAWING CONTAINS INFORMATION THAT IS PROPRIETARY TO MOLEX ELECTRONIC TECHNOLOGIES, LLC AND SHOULD NOT BE USED WITHOUT WRITTEN PERMISSION	
DIMENSION UNITS	SCALE	CURRENT REV DESC: LASER PRINT UPDATE	
mm		<b>molex</b> MPIS M12 PNP NPN NOS 4P 4PT AC FE STR BK XM STA SINGLE	
GENERAL TOLERANCES (UNLESS SPECIFIED)			
ANGULAR TOL ± °		EC NO: 606042	2018/08/28
▽ = 0 4 PLACES	±	DRWN: SSM	2018/10/18
▽ = 0 3 PLACES	±	CHK'D: RSILLER	2018/10/18
▽ = 0 2 PLACES	±	APPR: RSILLER	2018/10/18
▽ = 0 1 PLACE	±	INITIAL REVISION:	
▽ = 0 0 PLACES	± 0.25	DRWN: AAHLERS	2015/04/01
■ = 0		APPR: RSILLER	2015/05/20
▽ = 0		DRAFT WHERE APPLICABLE MUST REMAIN WITHIN DIMENSIONS	
		THIRD ANGLE PROJECTION	DRAWING
		A3-SIZE	SERIES
		120248	MATERIAL NUMBER
		SEE TABLE 1	CUSTOMER
		GENERAL MARKET	SHEET NUMBER
			1 OF 2

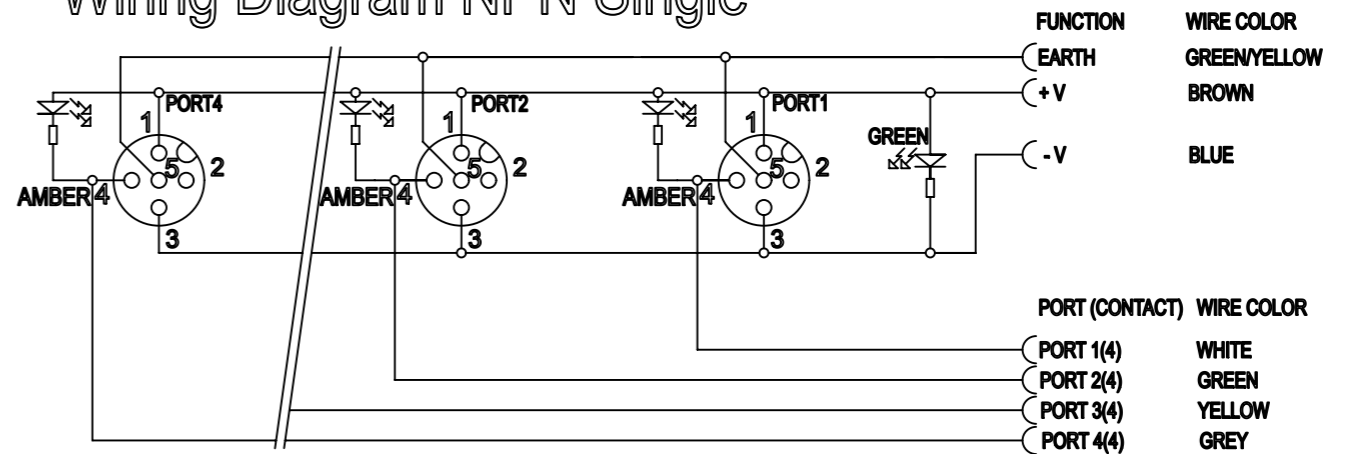
# Wiring Diagram NON LED Single



# Wiring Diagram PNP Single



# Wiring Diagram NPN Single



<b>SYMBOLS</b> DIMENSION UNITS SCALE ▽ = 0 mm ▽ = 0 GENERAL TOLERANCES (UNLESS SPECIFIED) ▽ = 0 ANGULAR TOL ± ° ▽ = 0 4 PLACES ± ▽ = 0 3 PLACES ± ▽ = 0 2 PLACES ± ▽ = 0 1 PLACE ± ▽ = 0 0 PLACES ± 0.25 ■ = 0 DRAFT WHERE APPLICABLE MUST REMAIN WITHIN DIMENSIONS ▽ = 0	THIS DRAWING CONTAINS INFORMATION THAT IS PROPRIETARY TO MOLEX ELECTRONIC TECHNOLOGIES, LLC AND SHOULD NOT BE USED WITHOUT WRITTEN PERMISSION		CURRENT REV DESC: LASER PRINT UPDATE			
	EC NO: 606042		2018/08/28			MPIS M12 PNP NPN NOS 4P 4PT AC FE STR BK XM STA SINGLE
	DRWN: SSM		2018/10/18			
	CHK'D: RSILLER		2018/10/18			
APPR: RSILLER		2018/10/18		PRODUCT CUSTOMER DRAWING		
INITIAL REVISION:		DOCUMENT NUMBER		DOC TYPE DOC PART REVISION		
DRWN: AAHLERS		2015/04/01		1202480001 PSD 000 B		
APPR: RSILLER		2015/05/20				
THIRD ANGLE PROJECTION		DRAWING		SERIES		
		A3-SIZE		120248		
MATERIAL NUMBER		CUSTOMER		SHEET NUMBER		
SEE TABLE 1		GENERAL MARKET		2 OF 2		