

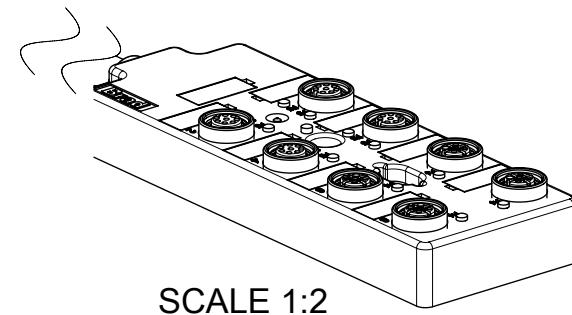
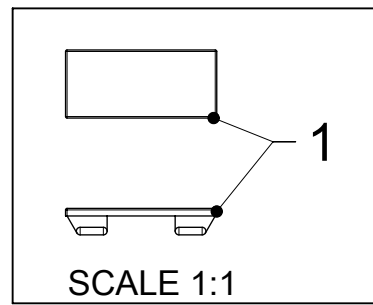
**TABLE 1**

MOLEX P/N	ENG. NO.	CABLE LENGTH (mm)
1202480500	BTB851P-FBW-05	5000
1202480501	BTB851P-FBW-10	10000
1202480502	BTB851P-FBW-15	15000

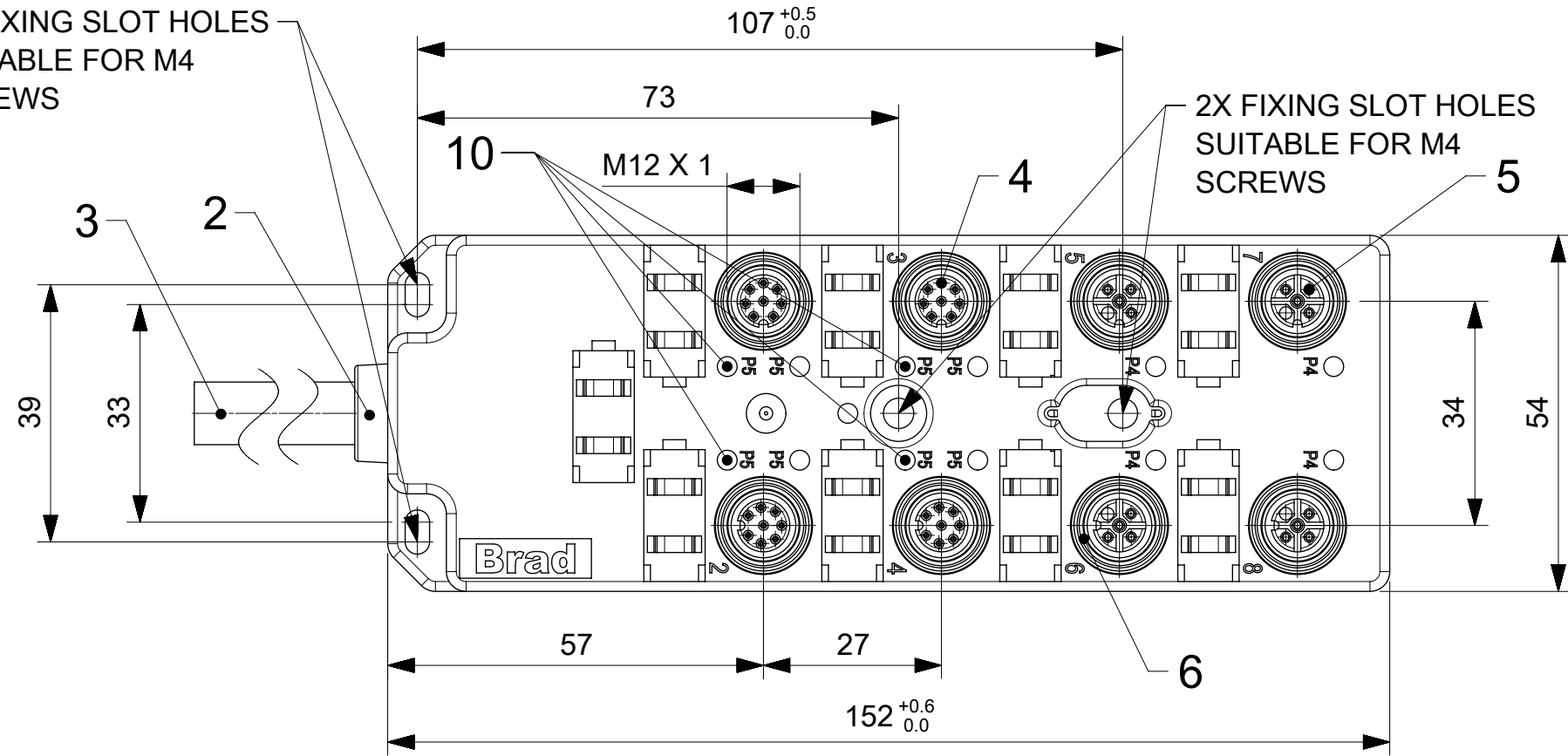
**TABLE 2: BILL OF MATERIAL**

ITEM	DESCRIPTION	MATERIAL	FINISH
1	LABEL	ABS	WHITE
2	CABLE PLATE	PBT	BLACK
3	CABLE	TPU BASED	BLACK
4	CONTACT	BRONZE	GOLD OVER NICKEL
5	CONTACT	BRONZE	GOLD OVER NICKEL
6	O-RING	FPM	RED
7	LED	PA	TRANSPARENT
8	SHELL	BRASS	NICKEL PLATED
9	HOUSING	PBT	BLACK
10	LED	PA	RED

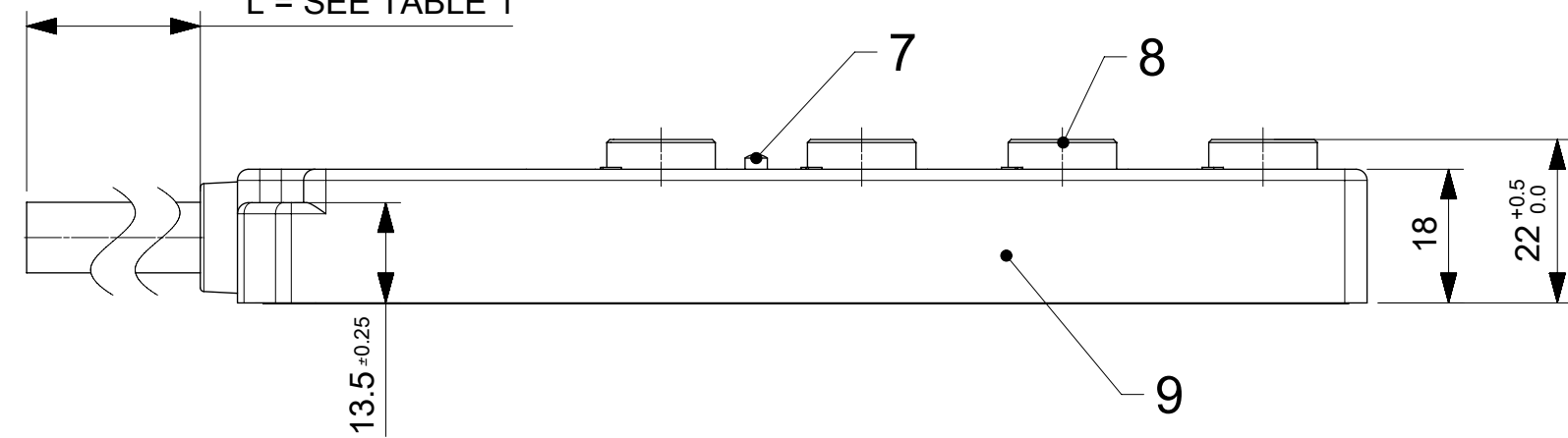
**PACKED IN BAG (9X)**



2X FIXING SLOT HOLES  
SUITABLE FOR M4  
SCREWS



L = SEE TABLE 1



**GENERAL CHARACTERISTICS:**

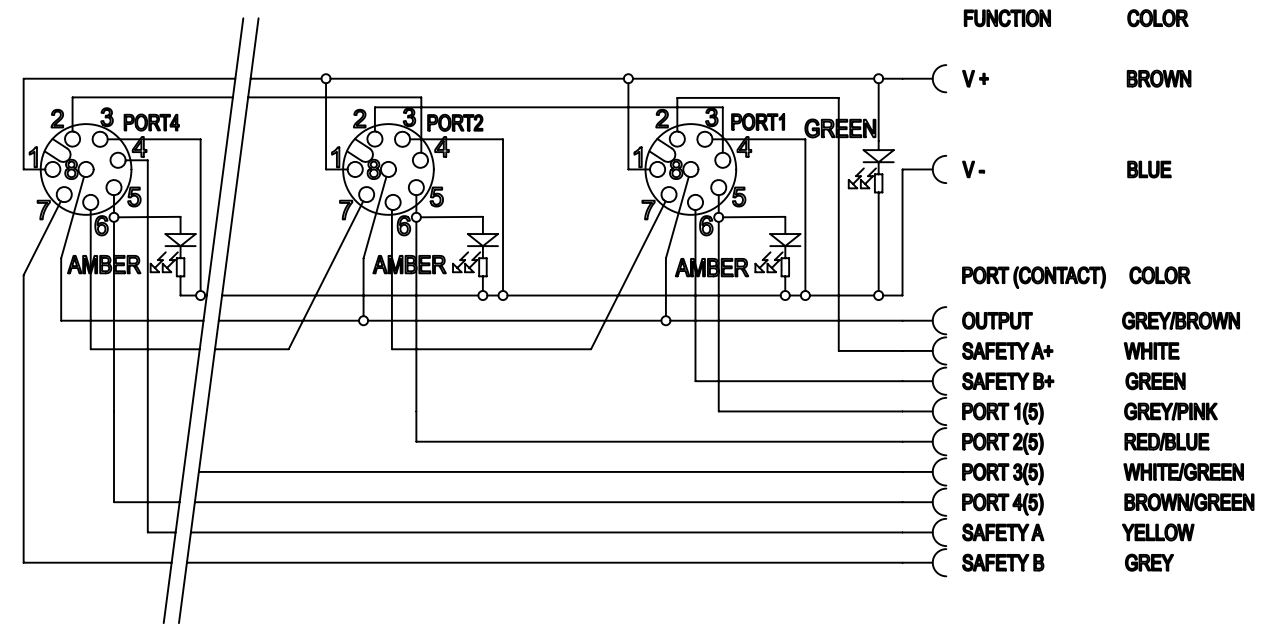
ELECTRICAL AND MECHANICAL DATA ACC. TO IEC 61076-2-101

NOMINAL VOLTAGE: 10-30 V DC  
 AMPERE RATING: 4 A PER PORT / 12 A MAX  
 AMPERE RATING WITH UL REGISTRATION: 3 A PER PORT / 9 A MAX  
 IP DEGREE OF PROTECTION: IP 67  
 TEMPERATURE RANGE: -25°C to + 85°C

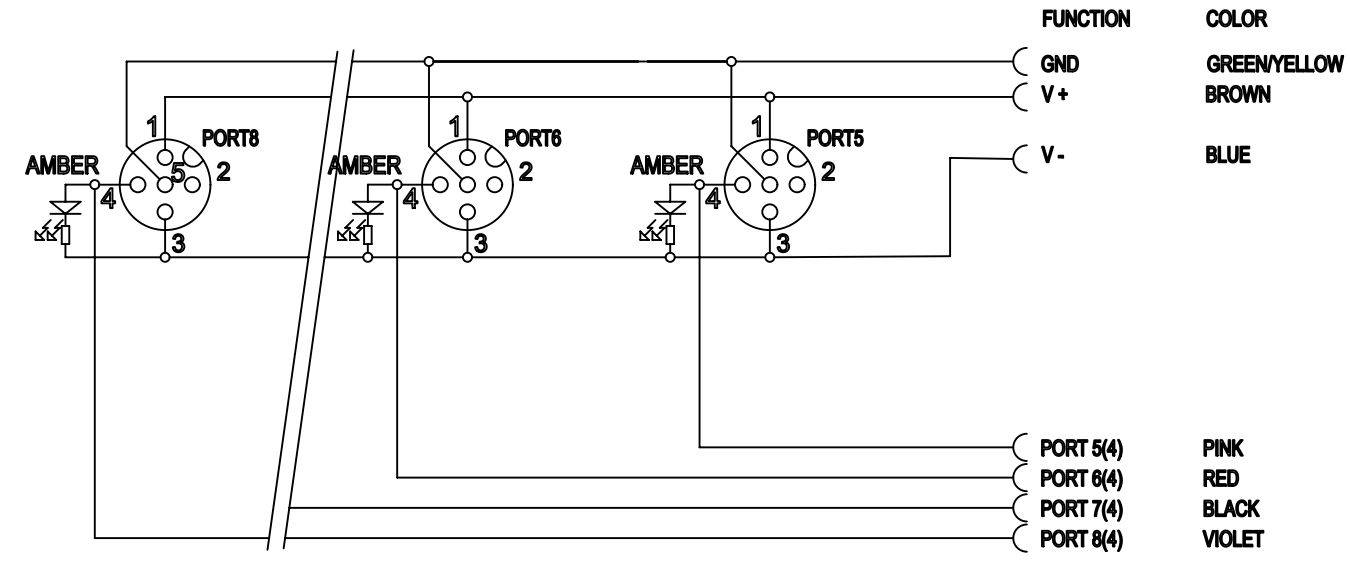
THIS DRAWING CONTAINS INFORMATION THAT IS PROPRIETARY TO MOLEX INCORPORATED AND SHOULD NOT BE USED WITHOUT WRITTEN PERMISSION

EC DESCRIPTION EC NO: 103237 DRWN: SMORADICHARG 2016/02/16 CHK'D: RSILLER 2016/03/03 APPR: RSILLER 2016/03/03	QUALITY SYMBOLS	GENERAL TOLERANCES (UNLESS SPECIFIED)	DIMENSION UNITS	SCALE				
	▽ = 0 ▽ = 0 ▽ = 0 ▽ = 0 ▽ = 0 ▽ = 0 ▽ = 0 ▽ = 0	ANGULAR TOL ± ° 4 PLACES ± 3 PLACES ± 2 PLACES ± 1 PLACE ± 0 PLACES ± 0.25	mm	1:1				
	DRWN BY ULETTENMEIER CHK'D BY DATE 2015/05/06	APPR BY RSILLER DATE 2015/12/23	PRODUCT CUSTOMER DRAWING					
	DRAFT WHERE APPLICABLE MUST REMAIN WITHIN DIMENSIONS	DRAWING SIZE A3	THIRD ANGLE PROJECTION	SERIES 120248		MATERIAL NUMBER SEE TABLE 1	CUSTOMER GENERAL MARKET	
A1	REV				DOCUMENT NUMBER 1202480500	DOC TYPE PSD	DOC PART 000	SHEET NUMBER 1 OF 2

### Wiring Diagram Safety Wired (Port 1 - 4)



### Wiring Diagram PNP single (Port 5 - 8)



THIS DRAWING CONTAINS INFORMATION THAT IS PROPRIETARY TO MOLEX INCORPORATED AND SHOULD NOT BE USED WITHOUT WRITTEN PERMISSION													
<b>QUALITY SYMBOLS</b> ▽ = 0 ▽ = 0 ▽ = 0 ▼ = 0 ▽ = 0 ☒ = 0 ■ = 0 ▽ = 0	<b>EC DESCRIPTION</b> EC NO: 103237 DRWN: SMORADICHARG CHK'D: RSILLER APPR: RSILLER			2016/02/16 2016/03/03 2016/03/03		<b>GENERAL TOLERANCES (UNLESS SPECIFIED)</b> ANGULAR TOL ± ° 4 PLACES ± 3 PLACES ± 2 PLACES ± 1 PLACE ± 0 PLACES ± 0.25		DIMENSION UNITS: mm SCALE:					
	DRWN BY: ULETTENMEIER DATE: 2015/05/06		CHK'D BY:		DATE:		MPIS M12 SAFETY PNP NPN NOS 4P 4PT AC FE 8P 4PT AC FE STA BK XM SINGLE						
	APPR BY: RSILLER DATE: 2015/12/23		DRAFT WHERE APPLICABLE MUST REMAIN WITHIN DIMENSIONS		DRAWING SIZE: A3 THIRD ANGLE PROJECTION					PRODUCT CUSTOMER DRAWING			
	SERIES: 120248		MATERIAL NUMBER:		CUSTOMER: GENERAL MARKET			DOCUMENT NUMBER: 1202480500			DOC TYPE: PSD	DOC PART: 000	SHEET NUMBER: 2 OF 2