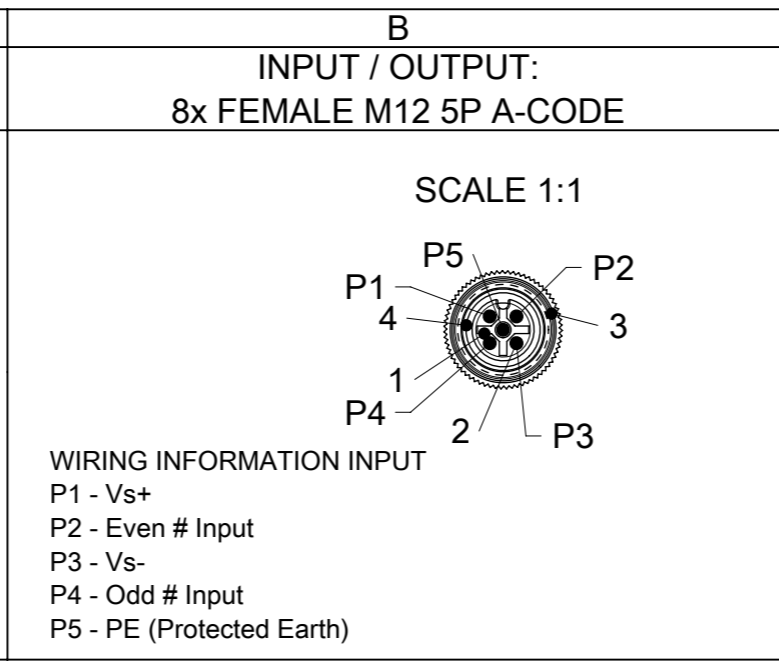
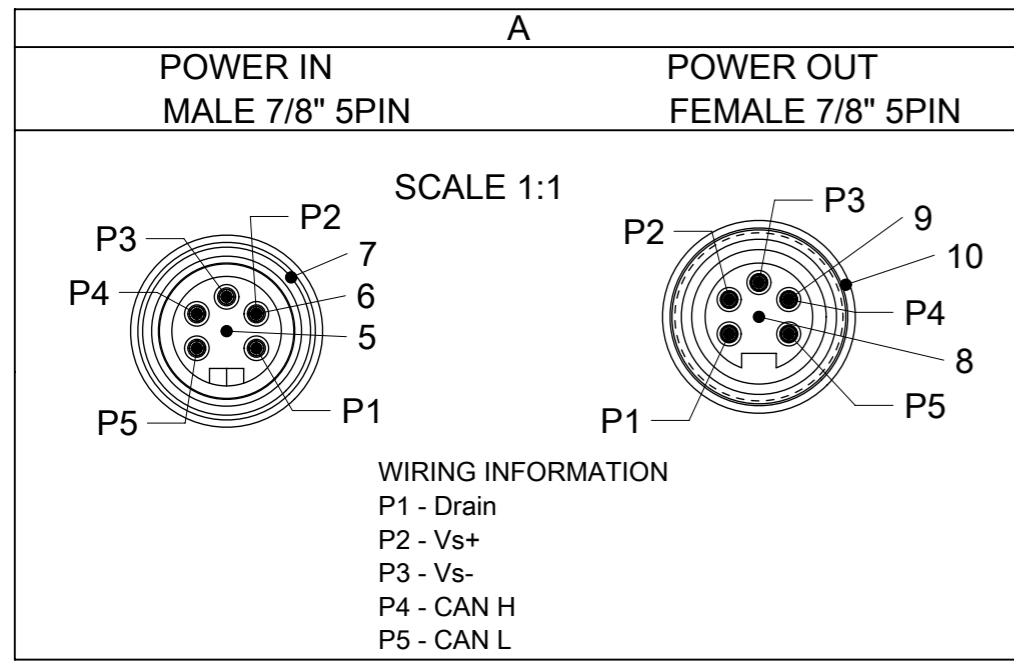


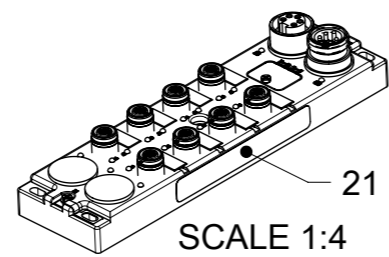
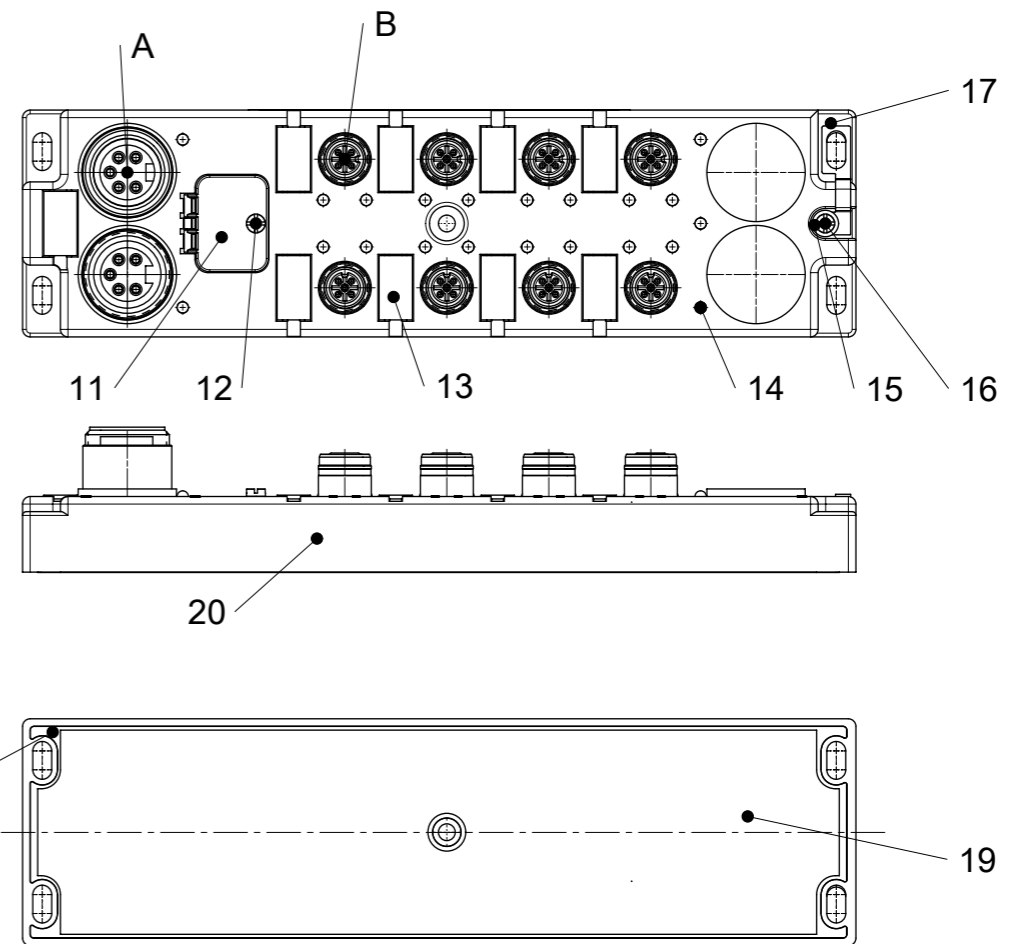
SCALE 1:2

THIS DRAWING CONTAINS INFORMATION THAT IS PROPRIETARY TO MOLEX ELECTRONIC TECHNOLOGIES, LLC AND SHOULD NOT BE USED WITHOUT WRITTEN PERMISSION														
QUALITY SYMBOLS ▽A = 0 ▽E = 0 ▽F = 0 ▼ = 0 ▽C = 0 ⊗ = 0 ■ = 0 ▽ = 0	2015/10/23	2015/11/03	2015/11/03	GENERAL TOLERANCES (UNLESS SPECIFIED)		DIMENSION UNITS	SCALE							
	DRWN: AAHLERS	CHK'D: RSILLER	APPR: RSILLER	4 PLACES	±	mm	1:1							
	EC NO: 101575	DRWN: AAHLERS	CHK'D: RSILLER	3 PLACES	±	DRWN BY: ULETTENMEIER		DATE: 2015/01/19	DBO DN16 60 MM 7/8" 5P AC MA FE U12 5P 8PT DC FE					
	A1	DRWN: AAHLERS	CHK'D: RSILLER	2 PLACES	±	CHK'D BY:		DATE:						
	REV	DRWN: AAHLERS	CHK'D: RSILLER	1 PLACE	± 0.3	APPR BY: RSILLER		DATE: 2015/06/25	PRODUCT CUSTOMER DRAWING					
	DRWN: AAHLERS	CHK'D: RSILLER	0 PLACES	± 0.5	DRAWING SIZE: A3		THIRD ANGLE PROJECTION	SERIES: 112092	MATERIAL NUMBER: 1120920010	CUSTOMER: GENERAL MARKET				
	DRWN: AAHLERS	CHK'D: RSILLER	DRAFT WHERE APPLICABLE MUST REMAIN WITHIN DIMENSIONS			A3		DRAWING SIZE: A3		THIRD ANGLE PROJECTION	DOCUMENT NUMBER: 1120920010	DOC TYPE: PSD	DOC PART: 000	SHEET NUMBER: 1 OF 3



BILL OF MATERIAL

ITEM	DESCRIPTION	MATERIAL	FINISH
1	INSERT	TPU	BLACK
2	CONTACT	COPPER ALLOY	GOLD OVERNICKEL
3	SHELL	BRASS	NICKEL PLATET
4	GASKET	FPM	RED
5	INSERT	TPE	GREY
6	CONTACT	COPPER ALLOY	GOLD OVERNICKEL
7	SHELL	BRASS	NICKEL PLATET
8	INSERT	TPE	GREY
9	CONTACT	COPPER ALLOY	GOLD OVER NICKEL
10	SHELL	BRASS	NICKEL PLATET
11	WINDOW	PC	TRANSPARENT
12	SCREW	V2A	V2A
13	LABEL	PC	WHITE
14	FIBER OPTIC	PA	TRANSPARENT
15	WASHER	BRASS	NICKEL PLATET
16	SCREW	V2A	V2A
17	SHIELD PLATE	STAINLESS STEEL	STAINLESS STEEL
18	RESIN	EPOXY	TRANSPARENT
19	LABEL	PVC	WHITE
20	HOUSING	PBT	BLACK
21	LABEL	PVC	YELLOW

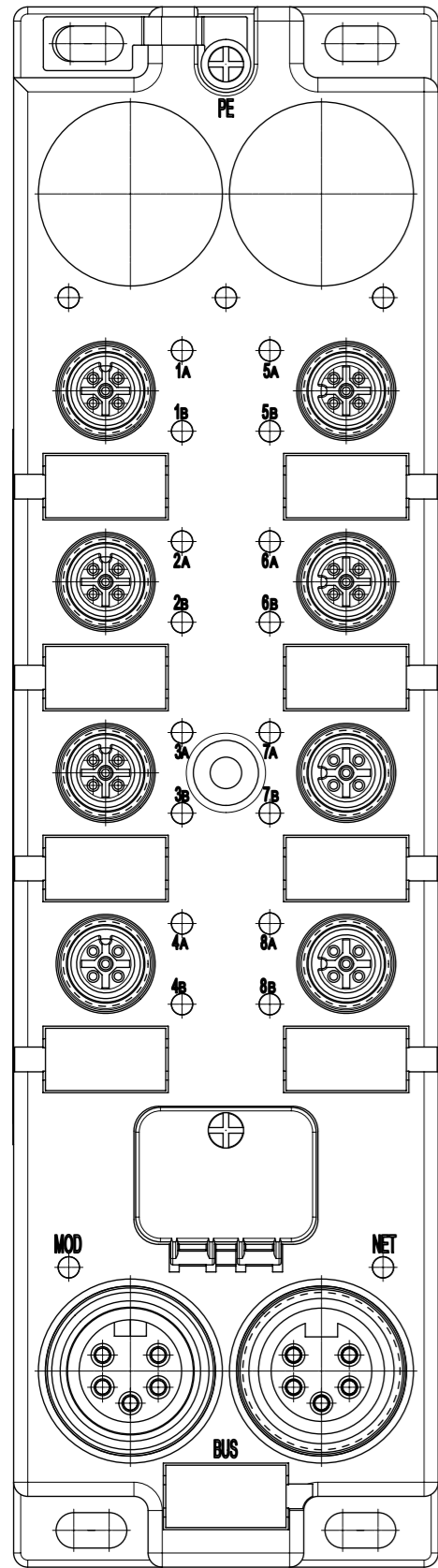


THIS DRAWING CONTAINS INFORMATION THAT IS PROPRIETARY TO MOLEX ELECTRONIC TECHNOLOGIES, LLC AND SHOULD NOT BE USED WITHOUT WRITTEN PERMISSION

QUALITY SYMBOLS A = 0 E = 0 F = 0 G = 0 H = 0 I = 0 J = 0 K = 0 L = 0 M = 0 N = 0 O = 0	EC NO: 101575 DRWN: AAHLERS CHK'D: RSILLER APPR: RSILLER	2015/10/23 2015/11/03 2015/11/03	GENERAL TOLERANCES (UNLESS SPECIFIED) ANGULAR TOL ± ° 4 PLACES ± 3 PLACES ± 2 PLACES ± 1 PLACE ± 0.3 0 PLACES ± 0.5	DIMENSION UNITS: mm SCALE: 1:2 DRWN BY: ULETTENMEIER DATE: 2015/01/19 CHK'D BY: [blank] DATE: [blank] APPR BY: RSILLER DATE: 2015/06/25	
	DRAFT WHERE APPLICABLE MUST REMAIN WITHIN DIMENSIONS			DRAWING SIZE: A3 THIRD ANGLE PROJECTION	PRODUCT CUSTOMER DRAWING
	SERIES: 112092 MATERIAL NUMBER: 1120920010 CUSTOMER: GENERAL MARKET		DOCUMENT NUMBER: 1120920010 DOC TYPE: PSD DOC PART: 000 SHEET NUMBER: 3 OF 3		

TABLE 1 16 IN PRINTING

		DEVICENET 16			3D MODEL NO.
POWER TYPE	INPUT/OUTPUT	ENG. NO	MOLEX P/N		
7/8" 5 POLE	PNP	16I	TCDDN-8D0P-10U	1120920010	1120920010 (PDM)
	NPN	16I	TCDDN-8D0N-10U	1120920019	



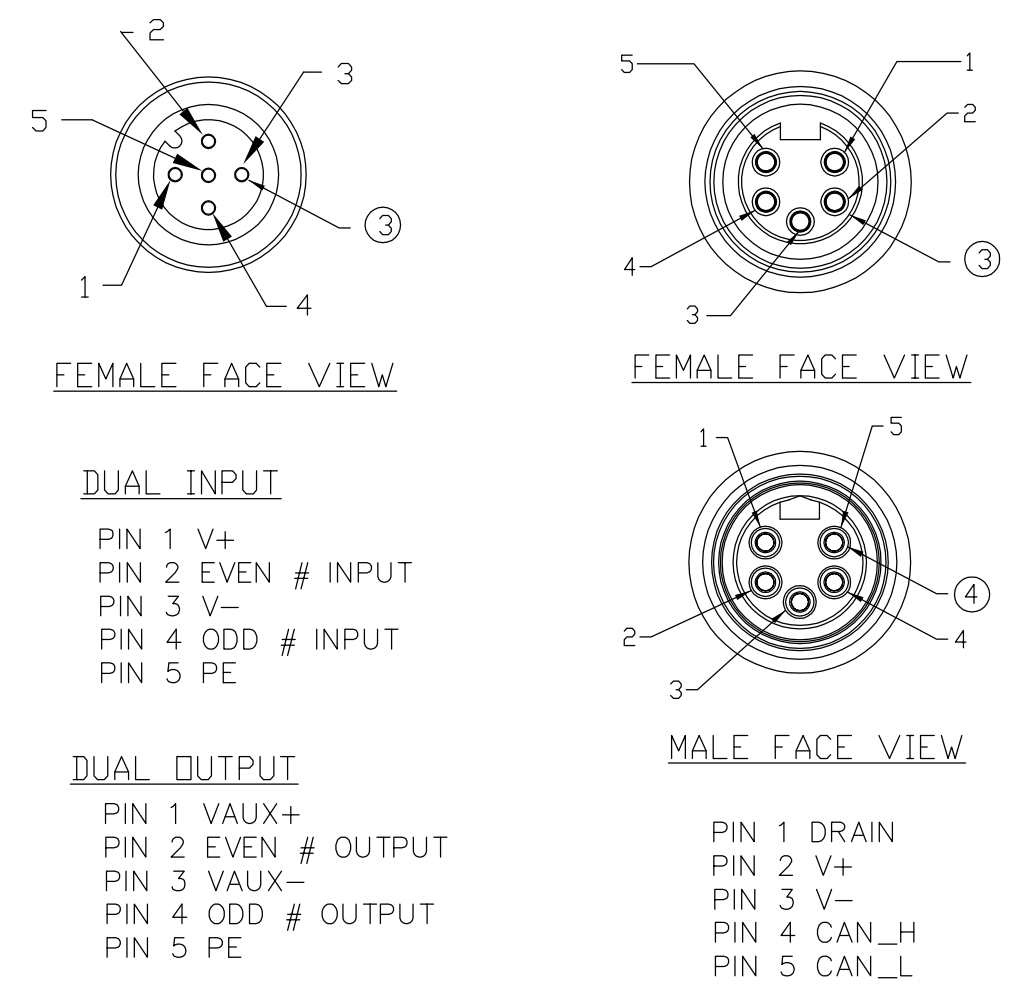
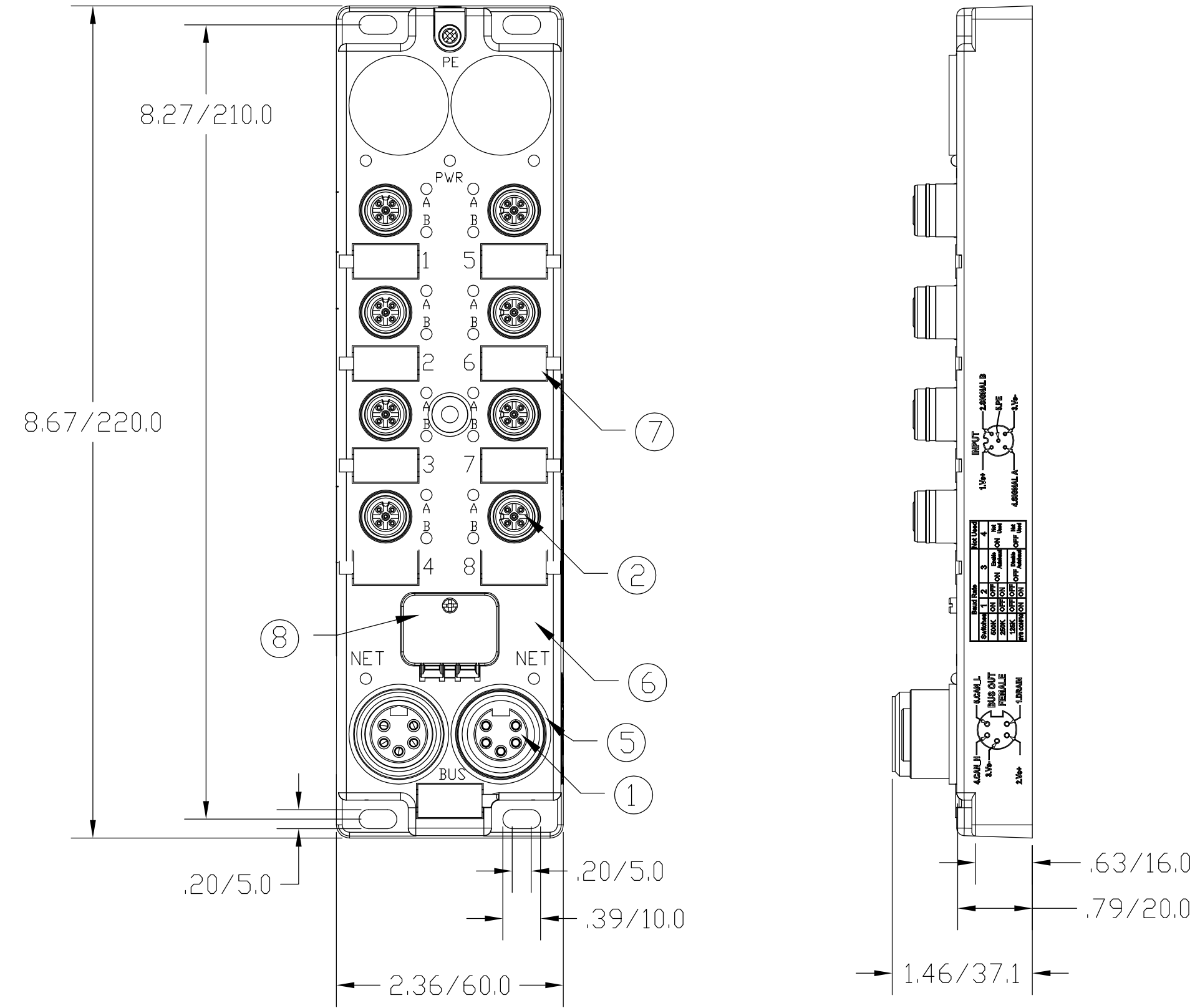
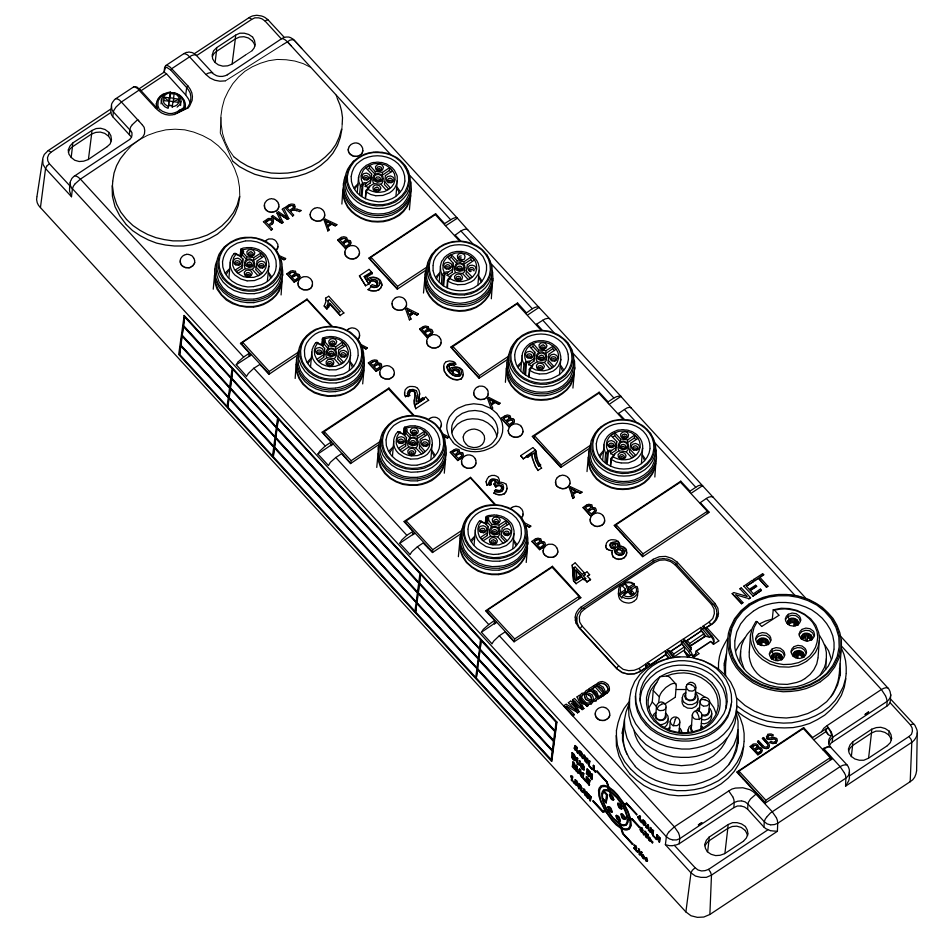
16 IN PRINTING

QUALITY SYMBOLS	THIS DRAWING CONTAINS INFORMATION THAT IS PROPRIETARY TO MOLEX ELECTRONIC TECHNOLOGIES, LLC AND SHOULD NOT BE USED WITHOUT WRITTEN PERMISSION										
▽A = 0	EC NO: 101575 DRWN: AAHLERS CHK'D: RSILLER APPR: RSILLER	GENERAL TOLERANCES (UNLESS SPECIFIED)		DIMENSION UNITS	SCALE						
▽E = 0		ANGULAR TOL ± °		mm	1:1						
▽F = 0		4 PLACES ±	DRWN BY		DATE		DBO DN16 60 MM 7/8" 5P AC MA FE U12 5P 8PT DC FE				
▼ = 0		3 PLACES ±	ULETTENMEIER		2015/01/19						
▽C = 0		2 PLACES ±	CHK'D BY		DATE		PRODUCT CUSTOMER DRAWING				
⊗ = 0		1 PLACE ± 0.3	APPR BY		DATE						
■ = 0		0 PLACES ± 0.5	RSILLER		2015/06/25		SERIES	MATERIAL NUMBER	CUSTOMER		
▽ = 0		DRAFT WHERE APPLICABLE MUST REMAIN WITHIN DIMENSIONS	DRAWING SIZE	THIRD ANGLE PROJECTION	A3		112092	1120920010	GENERAL MARKET		
							DOCUMENT NUMBER	DOC TYPE	DOC PART	SHEET NUMBER	
							1120920010	PSD	000	2 OF 3	

MATERIAL NUMBER	OLD PART NUMBER
112092-0010	TCDDN-8D0P-10U

INPUTS:
PNP 3-WIRE SENSORS
PORTS 1-8

USER MANUAL IS LOCATED ON MOLEX WEBSITE.



PROTECTION	IP67
OPERATING TEMPERATURE	0°C TO 70°C
APPROVALS	ODVA AND CE
UL CERTIFICATIONS	UL LISTED FILE NO. E200650
PRODUCTS CERTIFIED BY UL IN ACCORDANCE WITH CANADIAN REQUIREMENTS	UL LISTED FILE NO. E200650

ITEM	COMPONENT	MATERIAL	FINISH
1	MINI INSERT	TPE	GRAY(5-POLE) YELLOW (4-POLE)
2	MICRO INSERT	NYLON 6/6	BLACK
3	CONTACT SOCKET	COPPER ALLOY	GOLD OVER NICKEL
4	CONTACT PIN	COPPER ALLOY	GOLD OVER NICKEL
5	RECEPTACLE SHELL	BRASS	NICKLE PLATED
6	HOUSING	PBT	BLACK
7	LABEL	ABS	WHITE
8	WINDOW	POLYCARBONATE	CLEAR

RLSO DRAWING EC NO: WNA2009-0881 DRWN: BWOODMAN 6/30/09 CH'KD: --- APPR: JFMURPHY 2009/07/08 A	QUALITY SYMBOL ▽=0 ◁=0	GENERAL TOLERANCES (UNLESS SPECIFIED)		DIMENSION STYLE IN/MM		SCALE	DESIGN UNITS	THIRD ANGLE PROJECTION
		4 PLACES	mm	INCH	DRAWN BY	DATE	TITLE 60MM 16 INPUT PNP DEVICENET MPIS MOLEX INCORPORATED	
		3 PLACES	±----	±----	BW	2009/06/30		
		2 PLACES	±----	±.01	LH	2009/06/30		
1 PLACE	±0.3	±----	APPROVED BY	DATE				
DRAFT WHERE APPLICABLE MUST REMAIN WITHIN DIMENSIONS		ANGULAR ±----°		MATERIAL NO. SEE CHART		DOCUMENT NO. SD-112092-003	SHEET NO. 1 OF 1	
THIS DRAWING CONTAINS INFORMATION THAT IS PROPRIETARY TO MOLEX INCORPORATED AND SHOULD NOT BE USED WITHOUT WRITTEN PERMISSION								