



# PLCC LED Series Datasheet

## ORH-W46A-A(IF=2mA)



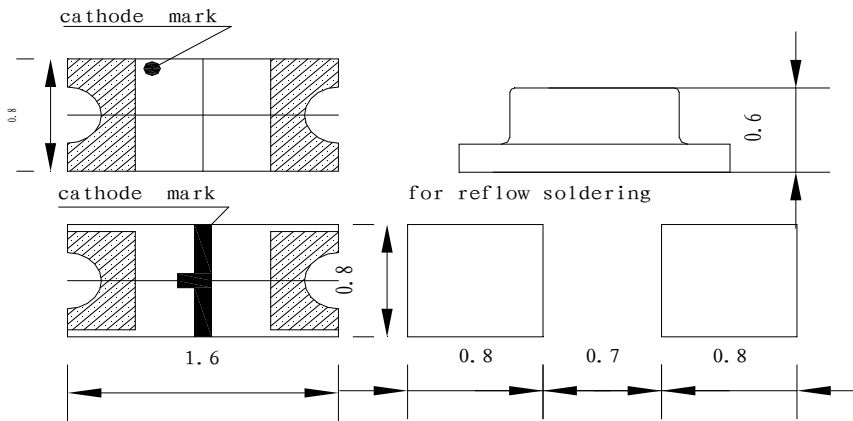
### 1.Features:

- Emitted Color : White.
- Lens Appearance : Water Clear.
- Mono-color type.
- 1.6x0.8x0.6mm(0603) standard package.
- Suitable for all SMT assembly methods.
- Compatible with infrared and vapor phase reflow solder process.
- Compatible with automatic placement.
- This product doesn't contain restriction substance, comply ROHS standard.

### 2.Applications:

- Automotive : Dashboards, stop lamps, turn signals.
- Backlighting : LCDs, Key pads advertising.
- Status indicators : Consumer & industrial electronics.
- General use.

### 3.Package Dimensions:



**NOTES:**

1. All dimensions are in millimeters (inches).
2. Tolerance is  $\pm 0.10\text{mm}$  ( $0.004''$ ) unless otherwise specified.
3. Specifications are subject to change without notice.

### 4. Absolute Maximum Ratings ( $T_a=25^\circ\text{C}$ )

Parameter	Symbol	Rating	Unit
Power Dissipation	$P_d$	120	mW
Forward Current	$I_F$	30	mA
Peak Forward Current * 1	$I_{FP}$	100	mA
Reverse Voltage	$V_R$	5	V
Operating Temperature	$T_{opr}$	$-40^\circ\text{C} \sim 85^\circ\text{C}$	-
Storage Temperature	$T_{stg}$	$-40^\circ\text{C} \sim 85^\circ\text{C}$	-
Soldering Temperature	$T_{sol}$	$260^\circ\text{C}$	-

\* 1 Condition for  $I_{FP}$  is pulse of 1/10 duty and 0.1msec width.

### 5. Electrical and optical characteristics ( $T_a=25^\circ\text{C}$ )

Parameter	Symbol	Condition	Min.	Typ.	Max.	Unit
Forward Voltage	$V_f$	$I_F=2\text{mA}$	2.5		2.9	V
Luminous Intensity	$I_V$	$I_F=2\text{mA}$	220		370	mcd
Reverse Current	$I_R$	$V_R=7\text{V}$	-	-		$\mu\text{A}$
Chromaticity	x	$I_F=2\text{mA}$	-	0.27	-	-
Coordinates	y	$I_F=2\text{mA}$	-	0.32	-	-
Viewing Angle	$2\theta_{1/2}$	$I_F=2\text{mA}$	-	120	-	deg

**6. Typical Electro-Optical Characteristics Curves**

Fig.1 Relative intensity vs. wavelength

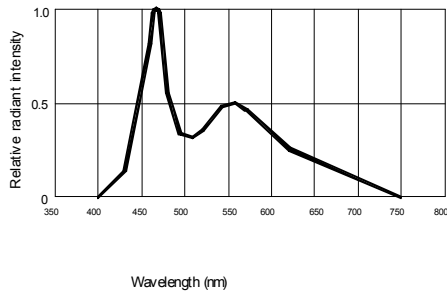


Fig.2 Forward current derating curve vs. ambient temperature

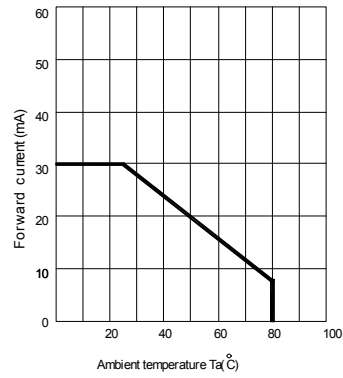


Fig.3 Forward current vs. forward voltage

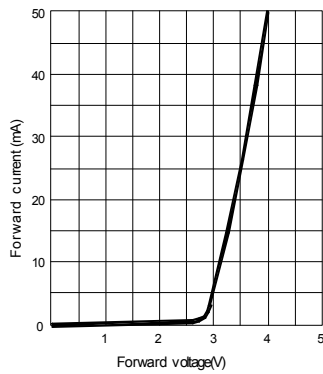


Fig.4 Relative luminous intensity vs. ambient temperature

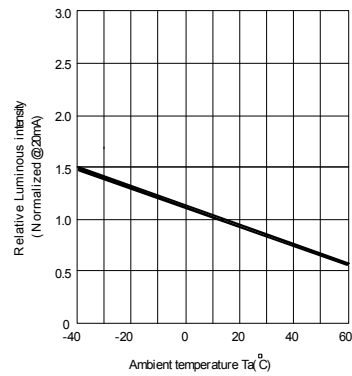


Fig.5 Relative luminous intensity vs. forward current

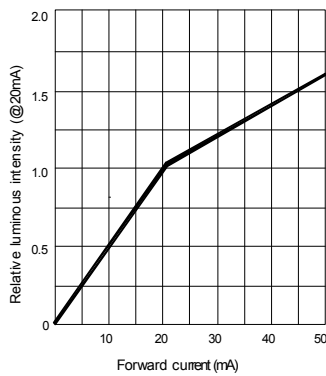
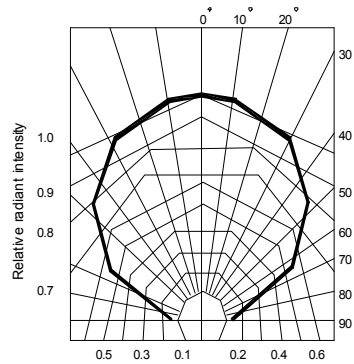


Fig.6 Radiation diagram





**7. Judgment criteria of failure for the reliability**

Measuring items	Symbol	Measuring conditions	Judgement criteria for failure
Forward voltage	$V_F$ ( V )	$I_F=15mA$	Initial Level*1.1
Reverse current	$I_R(uA)$	$V_R=5V$	Over $U \times 2$
Luminous intensity	$I_v$ ( mcd )	$I_F=15mA$	Initial Level*0.7

Note: 1).U means the upper limit of specified characteristics. S means initial value.  
 2).Measurement shall be taken between 2 hours and after the test pieces have been returned to normal ambient conditions after completion of each test.

**8. Bin Limits**

Intensity Bin Limits (At 2mA)

BIN CODE	Min. (MCD)	Max. (MCD)
R	220	250
T	250	280
Q	280	310
W	310	340
E	340	370

Tolerance for each Bin limit is  $\pm 15\%$

$V_F$  Bin Limits (At 2mA)

BIN CODE	Min.(v)	Max.(v)
A	2.5	2.6
S	2.6	2.7
D	2.7	2.8
F	2.8	2.9

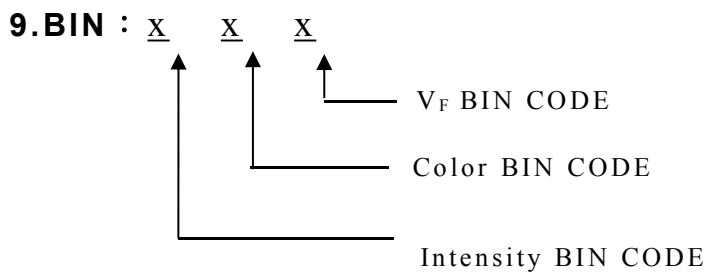
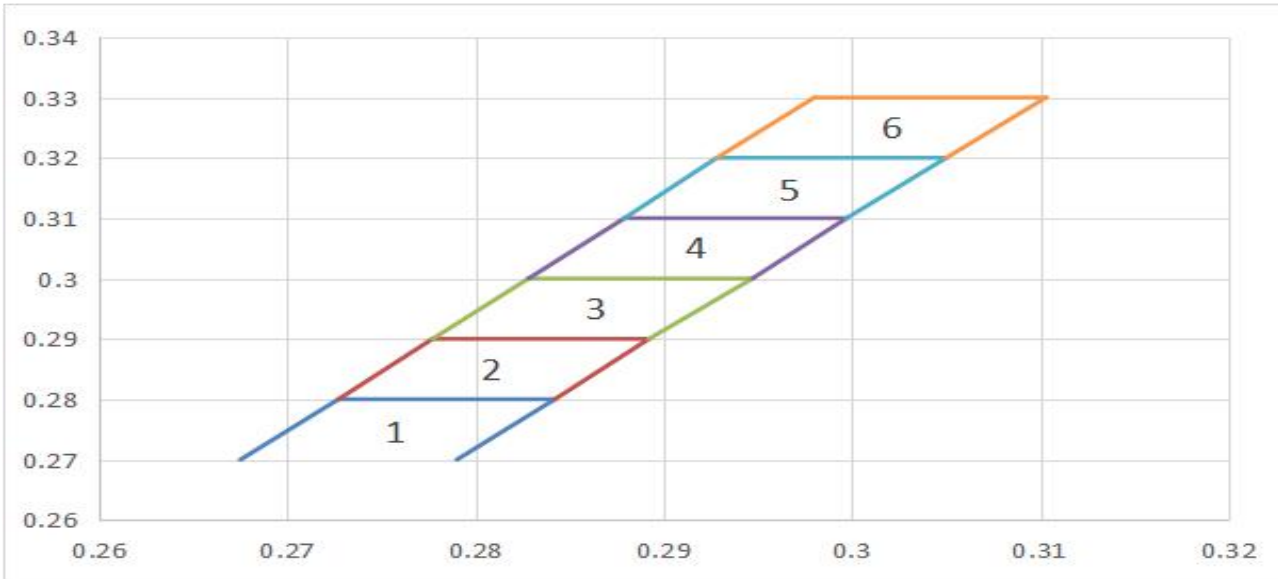
Tolerance for each Bin limit is  $\pm 0.05V$

Color Bin Limits (At 2mA)

BIN	X1	Y1	X2	Y2	X3	Y3	X4	Y4
1	0.2607	0.27	0.2658	0.28	0.2815	0.28	0.276	0.27
2	0.2658	0.28	0.2708	0.29	0.2867	0.29	0.2815	0.28
3	0.2708	0.29	0.2758	0.3	0.2922	0.3	0.2867	0.29
4	0.2758	0.3	0.2808	0.31	0.2977	0.31	0.2922	0.3



5	0.2808	0.31	0.286	0.32	0.3031	0.32	0.2977	0.31
6	0.286	0.32	0.2908	0.33	0.3082	0.33	0.3031	0.32

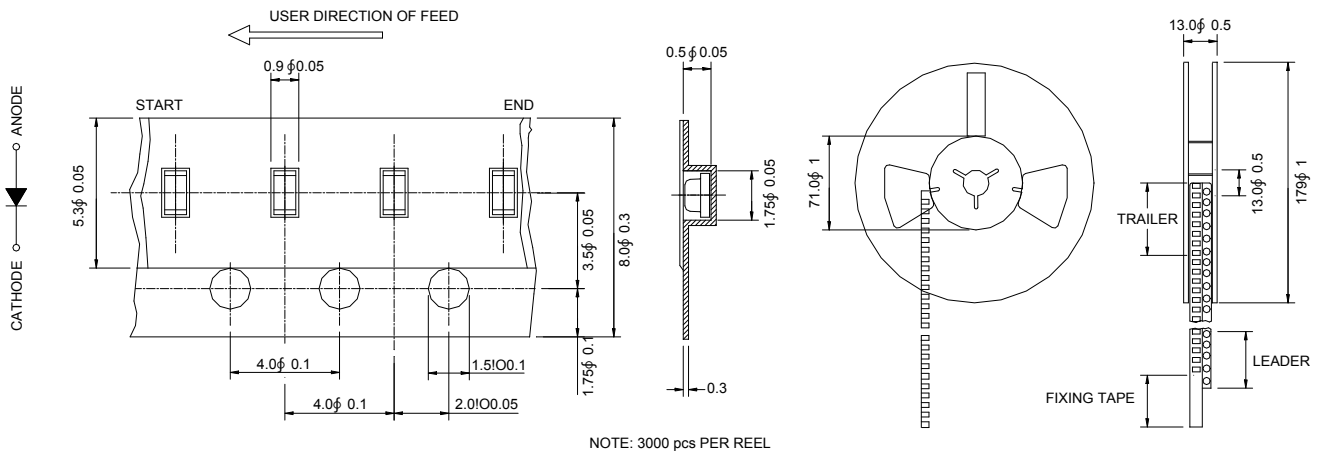


Remarks:

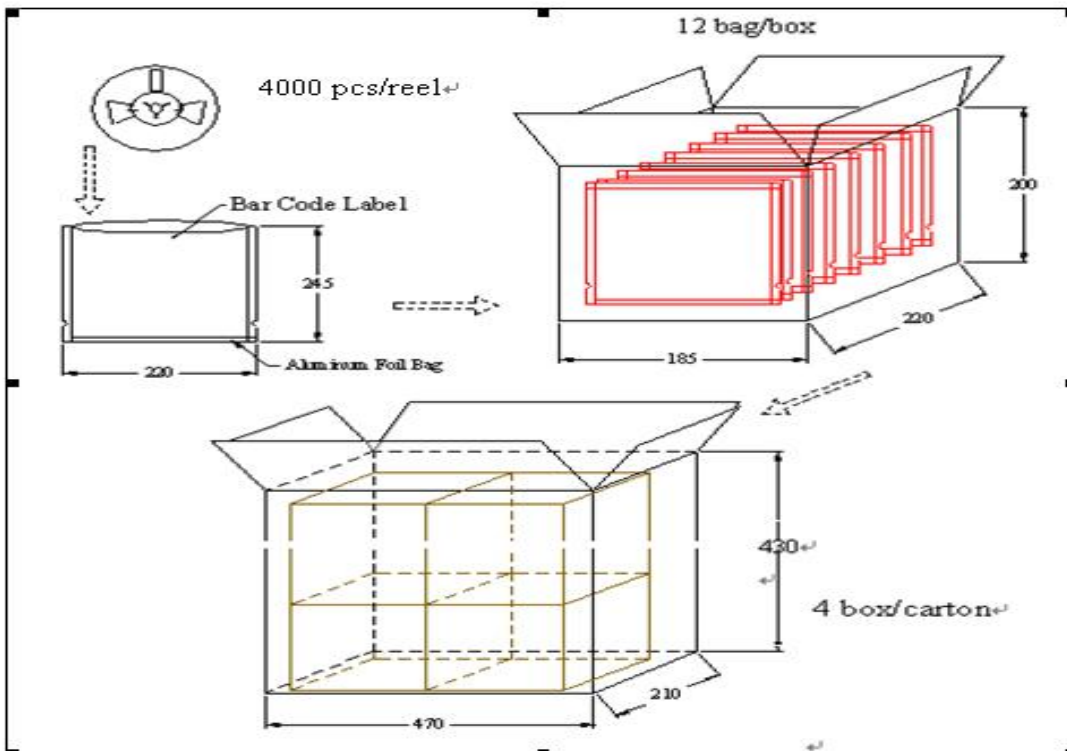
Quality standard: to carry out according to Q/SZOR standard factory



**10.apping and packaging specifications(Units: mm)**



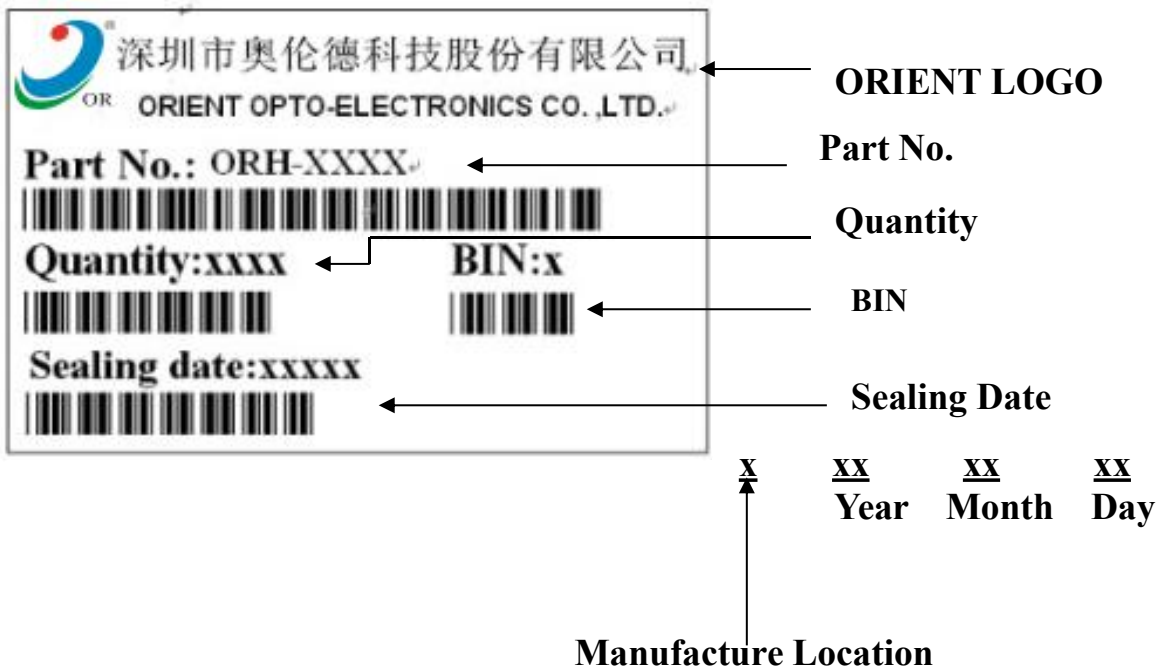
**11.Package Method:(unit:mm) Vacuum**





**12.Package and Label of Products:**

- (1) Package: Products are packed in one bag of 3000 pcs (one taping reel) and a label is attached on each bag.
- (2) Label:





**13. Reliability Test**

Classification	Test Item	Reference Standard	Test Conditions	Result
Endurance Test	Operation Life	MIL-STD-750D:1026 MIL-STD-883D:1005 JIS-C-7021 :B-1	Connect with a power $I_f=15mA$ $T_a$ =Under room temperature Test time=1,000hrs	0/20
	High Temperature High Humidity Storage	MIL-STD-202F:103B JIS-C-7021 :B-11	$T_a=+85^{\circ}C \pm 5^{\circ}C$ RH=90%-95% Test time=240hrs	0/20
	High Temperature Storage	MIL-STD-883:1008 JIS-C-7021 :B-10	High $T_a=+100^{\circ}C \pm 5^{\circ}C$ Test time=1,000hrs	0/20
	Low Temperature Storage	JIS-C-7021 :B-11	Low $T_a=-40^{\circ}C \pm 5^{\circ}C$ Test time=1,000hrs	0/20
Environmental Test	Temperature Cycling	MIL-STD-202F:107D MIL-STD-750D:1051 MIL-STD-883D:1010 JIS-C-7021 :A-2	$-35^{\circ}C \sim +25^{\circ}C \sim +85^{\circ}C \sim +25^{\circ}C$ 30min 5min 30min 5min Test Time=10cycle	0/20
	Thermal Shock	MIL-STD-202F:107D MIL-STD-750D:1051 MIL-STD-883D:1011	$-40^{\circ}C \pm 5^{\circ}C \sim +85^{\circ}C \pm 5^{\circ}C$ 20min 20min Test Time=10cycle	0/20
	Solder Resistance	MIL-STD-202:201A MIL-STD-750:2031 JIS-C-7021 :A-1	Preheating : $140^{\circ}C - 160^{\circ}C$ , within 2 minutes. Operation heating : $260^{\circ}C$ (Max.), within 10seconds. (Max.)	0/20

**14. Soldering :**

1). Manual Of Soldering

The temperature of the iron tip should not be higher than  $300^{\circ}C$  ( $572^{\circ}F$ ) and Soldering within 3 seconds per solder-land is to be observed.

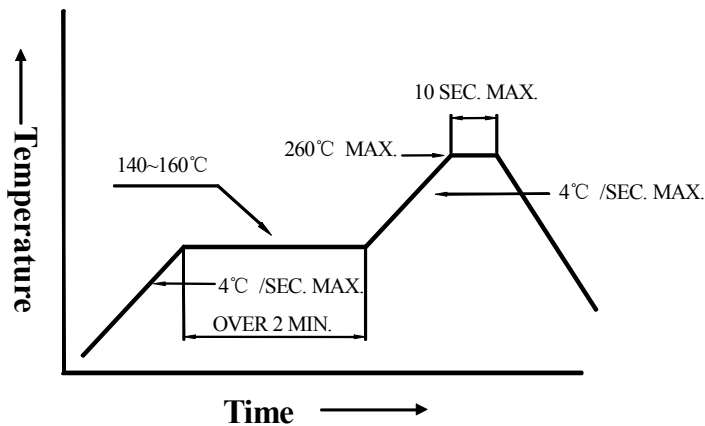
2). Reflow Soldering

Preheating :  $140^{\circ}C \sim 160^{\circ}C \pm 5^{\circ}C$ , within 2 minutes.

Operation heating :  $260^{\circ}C$  (Max.) within 10 seconds. (Max)

Gradual Cooling (Avoid quenching).



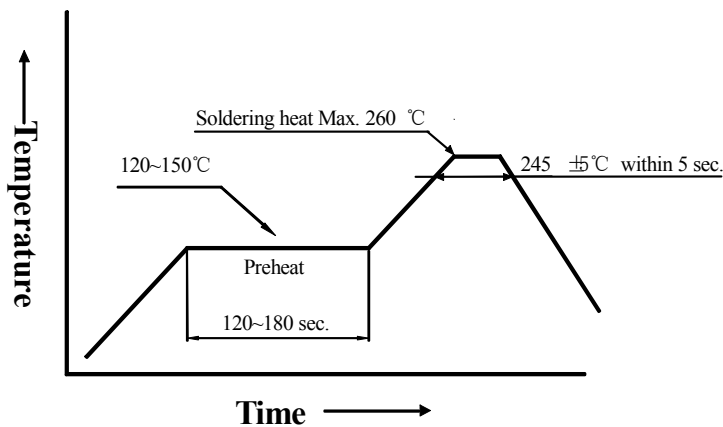


3). DIP soldering (Wave Soldering) :

Preheating : 120°C~150°C, within 120~180 sec.

Operation heating : 245°C±5°C within 5 sec. 260°C (Max)

Gradual Cooling (Avoid quenching).



**15.Handling :**

Care must be taken not to cause to the epoxy resin portion of BRIGHT LEDs while it is exposed to high temperature.

Care must be taken not rub the epoxy resin portion of BRIGHT LEDs with hard or sharp article such as the sand blast and the metal hook.

**16.Notes for designing:**

Care must be taken to provide the current limiting resistor in the circuit so as to drive the BRIGHT LEDs within the rated figures. Also, caution should be taken not to overload BRIGHT LEDs with instantaneous voltage at the turning ON and OFF of the circuit.

When using the pulse drive care must be taken to keep the average current within the rated figures. Also, the circuit should be designed so as be subjected to reverse voltage when turning off the BRIGHT LEDs.



**17.Storage:**

In order to avoid the absorption of moisture, it is recommended to solder BRIGHT LEDs as soon as possible after unpacking the sealed envelope.

If the envelope is still packed, to store it in the environment as following:

- (1) Temperature : 5°C-30°C (41°F) Humidity : RH 60% Max.
- (2) After this bag is opened, devices that will be applied to infrared reflow, vapor-phase reflow, or equivalent soldering process must be:
  - a.... Completed within 168 hours.
  - b.... Stored at less than 30% RH.
- (3) Devices require baking before mounting, if:(2) a or (2) b is not met.
- (4) If baking is required, devices must be baked under below conditions: 48hours at 60°C±3°C