



4N60

Power MOSFET

4 Amps, 600/650 Volts N-CHANNEL POWER MOSFET

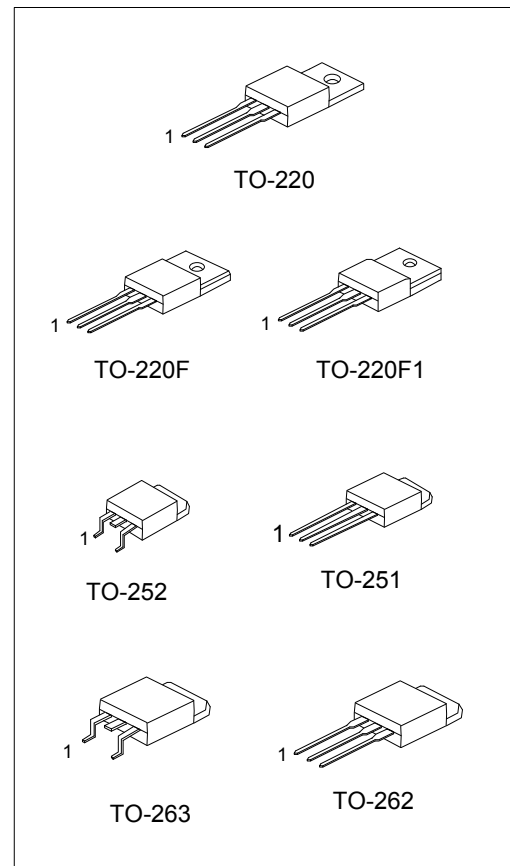
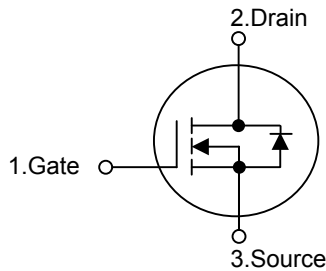
■ **DESCRIPTION**

The UTC **4N60** is a high voltage MOSFET and is designed to have better characteristics, such as fast switching time, low gate charge, low on-state resistance and have a high rugged avalanche characteristics. This power MOSFET is usually used at high speed switching applications in power supplies, PWM motor controls, high efficient DC to DC converters and bridge circuits.

■ **FEATURES**

- * $R_{DS(ON)} = 2.5\Omega @ V_{GS} = 10V$
- * Ultra Low Gate Charge (typical 15 nC)
- * Low Reverse Transfer CAPACITANCE ($C_{RSS} =$ typical 8.0 pF)
- * Fast Switching Capability
- * Avalanche Energy Specified
- * Improved dv/dt Capability, high Ruggedness

■ **SYMBOL**



■ **ORDERING INFORMATION**

Ordering Number		Package	Pin Assignment			Packing
Lead Free	Halogen Free		1	2	3	
4N60L-x-TA3-T	4N60G-x-TA3-T	TO-220	G	D	S	Tube
4N60L-x-TF1-T	4N60G-x-TF1-T	TO-220F1	G	D	S	Tube
4N60L-x-TF3-T	4N60G-x-TF3-T	TO-220F	G	D	S	Tube
4N60L-x-TM3-T	4N60G-x-TM3-T	TO-251	G	D	S	Tube
4N60L-x-TN3-R	4N60G-x-TN3-R	TO-252	G	D	S	Tape Reel
4N60L-x-T2Q-T	4N60G-x-T2Q-T	TO-262	G	D	S	Tube
4N60L-x-TQ3-R	4N60G-x-TQ3-R	TO-263	G	D	S	Tape Reel
4N60L-x-TQ3-T	4N60G-x-TQ3-T	TO-263	G	D	S	Tube

Note: Pin Assignment: G: Gate D: Drain S: Source

<p>4N60L-x-TA3-T</p>	<p>(1) T: Tube, R: Tape Reel</p> <p>(2) TA3: TO-220, TF1: TO-220F1, TF3: TO-220F, TM3: TO-251</p> <p>TN3: TO-252, T2Q: TO-262, TQ3: TO-263</p> <p>(3) A: 600V, B: 650V</p> <p>(4) G: Halogen Free, L: Lead Free</p>
----------------------	---

■ ABSOLUTE MAXIMUM RATINGS ($T_C = 25^\circ\text{C}$, unless otherwise specified)

PARAMETER		SYMBOL	RATINGS	UNIT	
Drain-Source Voltage	4N60-A	V_{DSS}	600	V	
	4N60-B		650	V	
Gate-Source Voltage		V_{GSS}	± 30	V	
Avalanche Current (Note 2)		I_{AR}	4.4	A	
Drain Current	Continuous	I_D	4.0	A	
	Pulsed (Note 2)	I_{DM}	16	A	
Avalanche Energy	Single Pulsed (Note 3)	E_{AS}	4N60	260	mJ
			4N60-E	200	mJ
	Repetitive (Note 2)	E_{AR}	10.6	mJ	
Peak Diode Recovery dv/dt (Note 4)		dv/dt	4.5	V/ns	
Power Dissipation	TO-220/TO-262/TO-263	P_D	106	W	
	TO-220F/TO-220F1		36	W	
	TO-251		50	W	
	TO-252		50	W	
Junction Temperature		T_J	+150	$^\circ\text{C}$	
Operating Temperature		T_{OPR}	-55 ~ +150	$^\circ\text{C}$	
Storage Temperature		T_{STG}	-55 ~ +150	$^\circ\text{C}$	

Notes: 1. Absolute maximum ratings are those values beyond which the device could be permanently damaged.

Absolute maximum ratings are stress ratings only and functional device operation is not implied.

2. Repetitive Rating : Pulse width limited by maximum junction temperature

3. $L = 30\text{mH}$, $I_{AS} = 4\text{A}$, $V_{DD} = 50\text{V}$, $R_G = 25\ \Omega$, Starting $T_J = 25^\circ\text{C}$

4. $I_{SD} \leq 4.4\text{A}$, $di/dt \leq 200\text{A}/\mu\text{s}$, $V_{DD} \leq BV_{DSS}$, Starting $T_J = 25^\circ\text{C}$

■ THERMAL DATA

PARAMETER	PACKAGE	SYMBOL	RATINGS	UNIT
Junction to Ambient	TO-220/TO-262/TO-263	θ_{JA}	62.5	$^\circ\text{C}/\text{W}$
	TO-220F/TO-220F1		62.5	$^\circ\text{C}/\text{W}$
	TO-251		83	$^\circ\text{C}/\text{W}$
	TO-252		83	$^\circ\text{C}/\text{W}$
Junction to Case	TO-220/TO-262/TO-263	θ_{Jc}	1.18	$^\circ\text{C}/\text{W}$
	TO-220F/TO-220F1		3.47	$^\circ\text{C}/\text{W}$
	TO-251		2.5	$^\circ\text{C}/\text{W}$
	TO-252		2.5	$^\circ\text{C}/\text{W}$

■ ELECTRICAL CHARACTERISTICS ($T_C = 25^\circ\text{C}$, unless otherwise specified)

PARAMETER	SYMBOL	TEST CONDITIONS	MIN	TYP	MAX	UNIT	
OFF CHARACTERISTICS							
Drain-Source Breakdown Voltage	4N60-A	BV_{DSS}	$V_{GS} = 0\text{V}$, $I_D = 250\ \mu\text{A}$	600		V	
	4N60-B			650		V	
Drain-Source Leakage Current		I_{DSS}	$V_{DS} = 600\text{V}$, $V_{GS} = 0\text{V}$		10	μA	
Gate-Source Leakage Current	Forward	I_{GSS}	$V_{GS} = 30\text{V}$, $V_{DS} = 0\text{V}$		100	nA	
	Reverse		$V_{GS} = -30\text{V}$, $V_{DS} = 0\text{V}$		-100	nA	
Breakdown Voltage Temperature Coefficient		$\Delta BV_{DSS}/\Delta T_J$	$I_D = 250\ \mu\text{A}$, Referenced to 25°C		0.6	$\text{V}/^\circ\text{C}$	
ON CHARACTERISTICS							
Gate Threshold Voltage		$V_{GS(TH)}$	$V_{DS} = V_{GS}$, $I_D = 250\ \mu\text{A}$		2.0	4.0	V
Static Drain-Source On-State Resistance		$R_{DS(ON)}$	$V_{GS} = 10\text{V}$, $I_D = 2.2\text{A}$			2.5	Ω
DYNAMIC CHARACTERISTICS							
Input Capacitance		C_{ISS}	$V_{DS} = 25\text{V}$, $V_{GS} = 0\text{V}$, $f = 1\text{MHz}$	520	670	pF	
Output Capacitance		C_{OSS}		70	90	pF	
Reverse Transfer Capacitance		C_{RSS}		8	11	pF	

■ ELECTRICAL CHARACTERISTICS(Cont.)

PARAMETER	SYMBOL	TEST CONDITIONS	MIN	TYP	MAX	UNIT
SWITCHING CHARACTERISTICS						
Turn-On Delay Time	$t_{D(ON)}$	$V_{DD} = 300V, I_D = 4.0A, R_G = 25\Omega$ (Note 1, 2)		13	35	ns
Turn-On Rise Time	t_R			45	100	ns
Turn-Off Delay Time	$t_{D(OFF)}$			25	60	ns
Turn-Off Fall Time	t_F			35	80	ns
Total Gate Charge	Q_G	$V_{DS} = 480V, I_D = 4.0A, V_{GS} = 10V$ (Note 1, 2)		15	20	nC
Gate-Source Charge	Q_{GS}			3.4		nC
Gate-Drain Charge	Q_{GD}			7.1		nC
SOURCE- DRAIN DIODE RATINGS AND CHARACTERISTICS						
Drain-Source Diode Forward Voltage	V_{SD}	$V_{GS} = 0V, I_S = 4.4A$			1.4	V
Maximum Continuous Drain-Source Diode Forward Current	I_S				4.4	A
Maximum Pulsed Drain-Source Diode Forward Current	I_{SM}				17.6	A
Reverse Recovery Time	t_{RR}	$V_{GS} = 0V, I_S = 4.4A,$ $di_F/dt = 100A/\mu s$ (Note 1)		250		ns
Reverse Recovery Charge	Q_{RR}			1.5		μC

Notes: 1. Pulse Test: Pulse width $\leq 300\mu s$, Duty cycle $\leq 2\%$

2. Essentially independent of operating temperature

■ TEST CIRCUITS AND WAVEFORMS (Cont.)

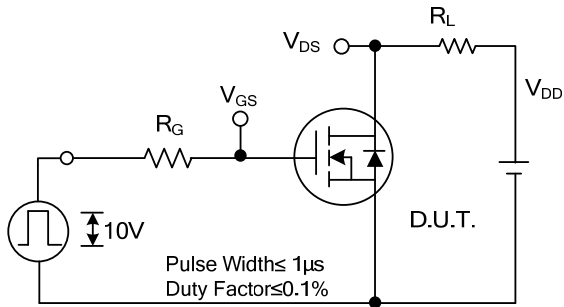


Fig. 2A Switching Test Circuit

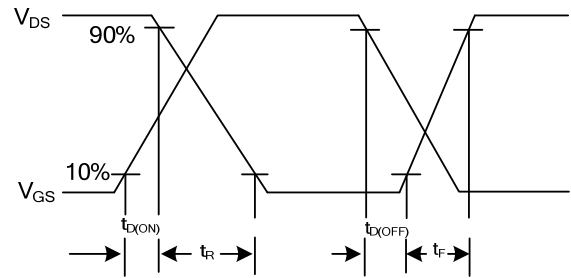


Fig. 2B Switching Waveforms

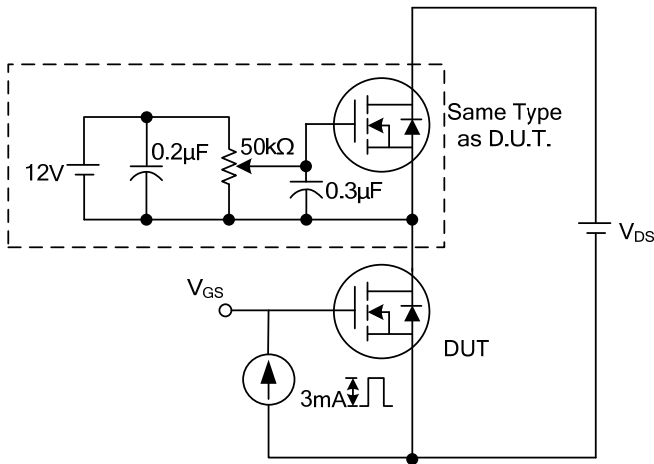


Fig. 3A Gate Charge Test Circuit

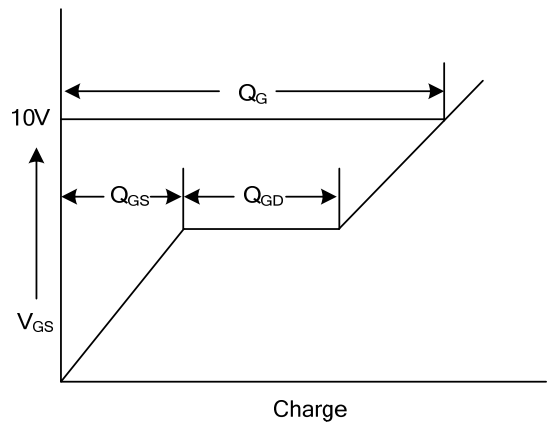


Fig. 3B Gate Charge Waveform

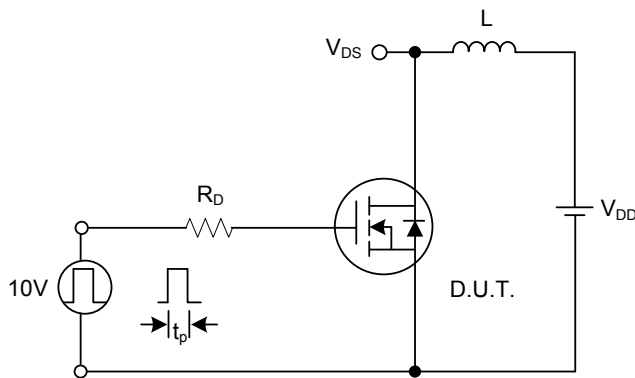


Fig. 4A Unclamped Inductive Switching Test Circuit

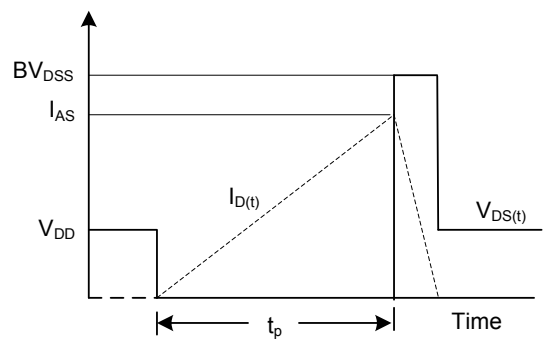
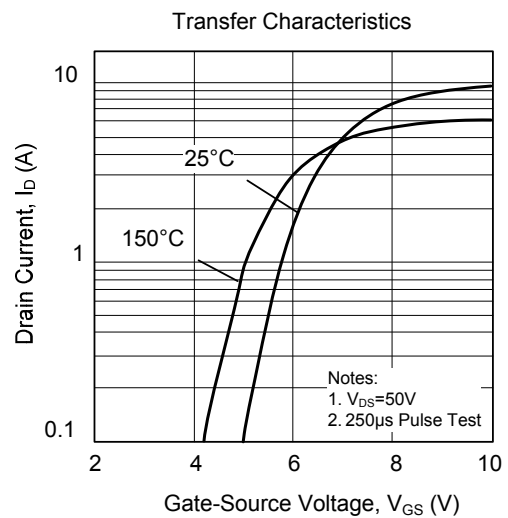
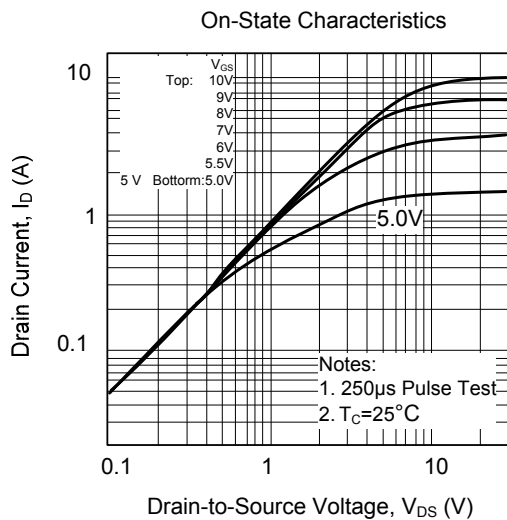
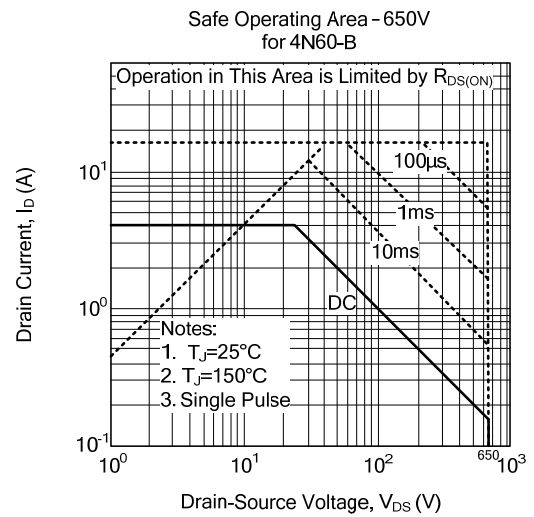
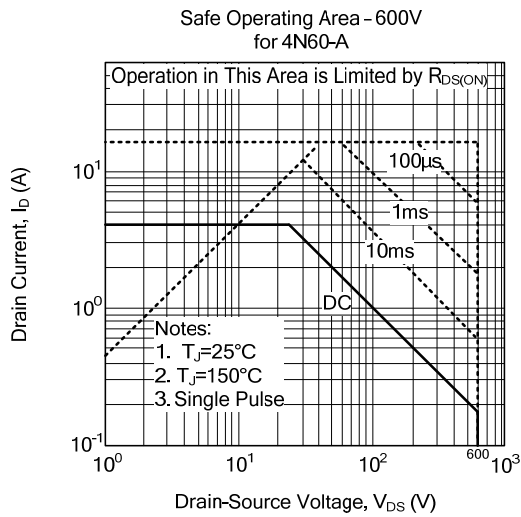
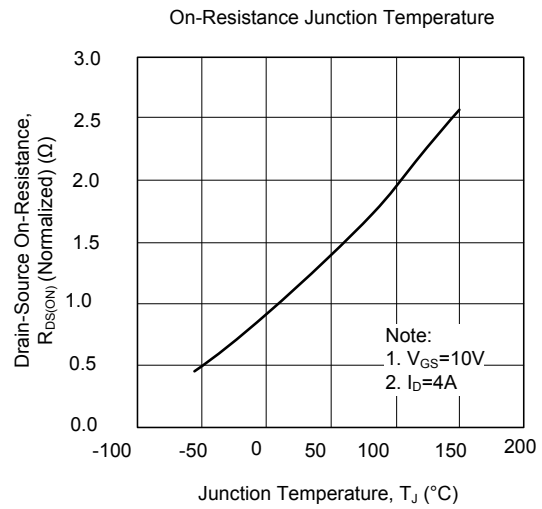
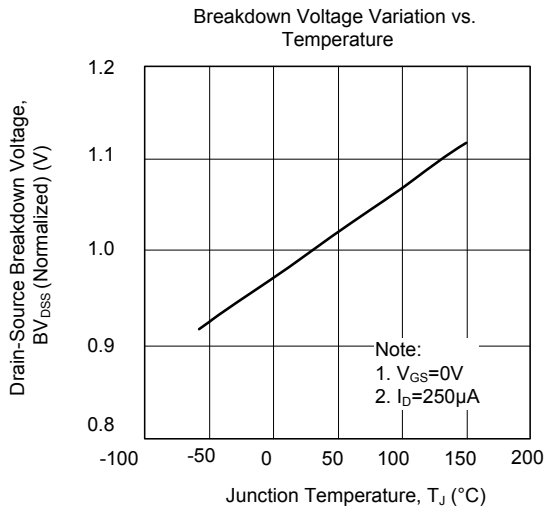


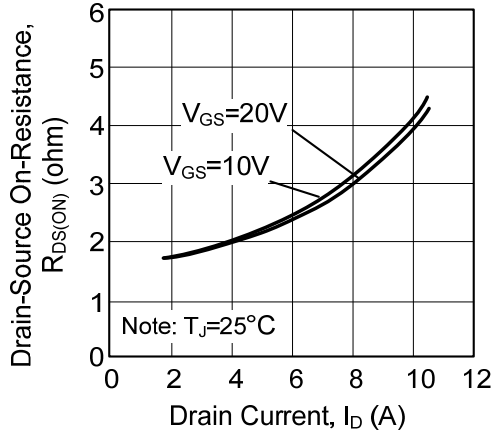
Fig. 4B Unclamped Inductive Switching Waveforms

TYPICAL CHARACTERISTICS

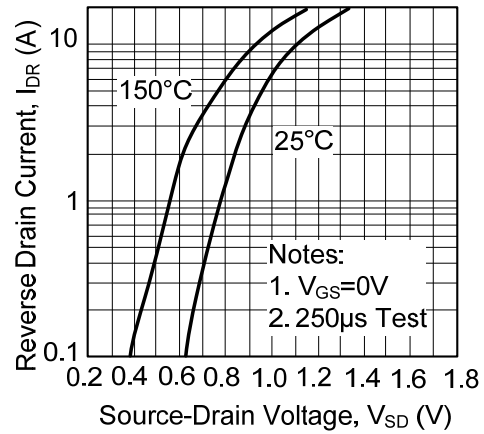


■ TYPICAL CHARACTERISTICS(Cont.)

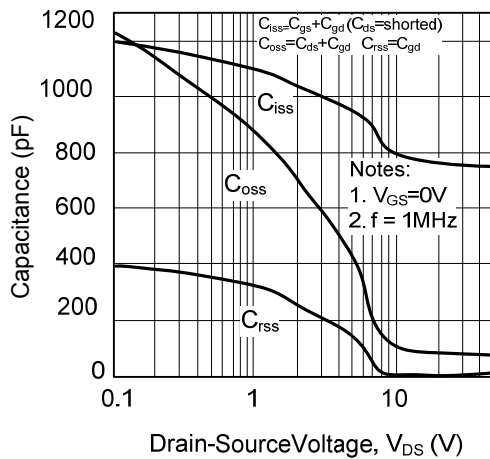
On-Resistance Variation vs. Drain Current and Gate Voltage



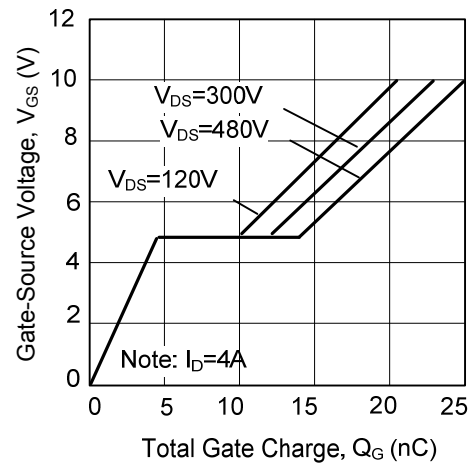
On State Current vs. Allowable Case Temperature



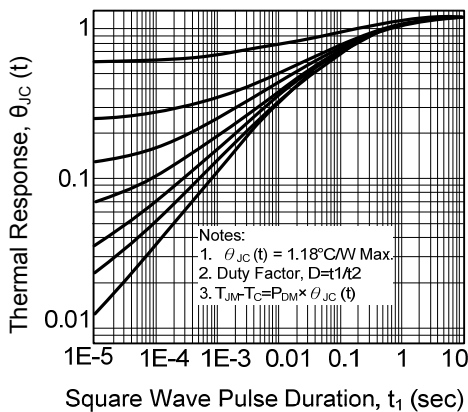
Capacitance Characteristics (Non-Repetitive)



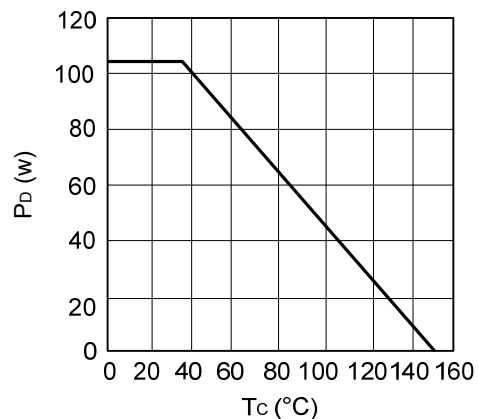
Gate Charge Characteristics



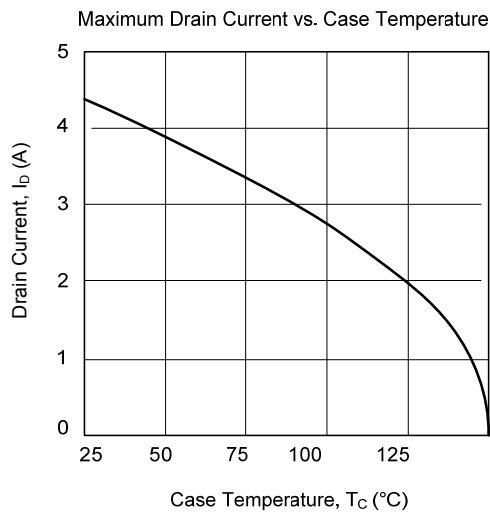
Transient Thermal Response Curve



Power Dissipation



■ TYPICAL CHARACTERISTICS(Cont.)



UTC assumes no responsibility for equipment failures that result from using products at values that exceed, even momentarily, rated values (such as maximum ratings, operating condition ranges, or other parameters) listed in products specifications of any and all UTC products described or contained herein. UTC products are not designed for use in life support appliances, devices or systems where malfunction of these products can be reasonably expected to result in personal injury. Reproduction in whole or in part is prohibited without the prior written consent of the copyright owner. The information presented in this document does not form part of any quotation or contract, is believed to be accurate and reliable and may be changed without notice.