

4

3

2

1

THIS DRAWING IS UNPUBLISHED.

RELEASED FOR PUBLICATION

-. -. .

LOC

DIST

REVISIONS

© COPYRIGHT - By -

ALL RIGHTS RESERVED.

FT

0

P

LTR

DESCRIPTION

DATE

DWN

APVD

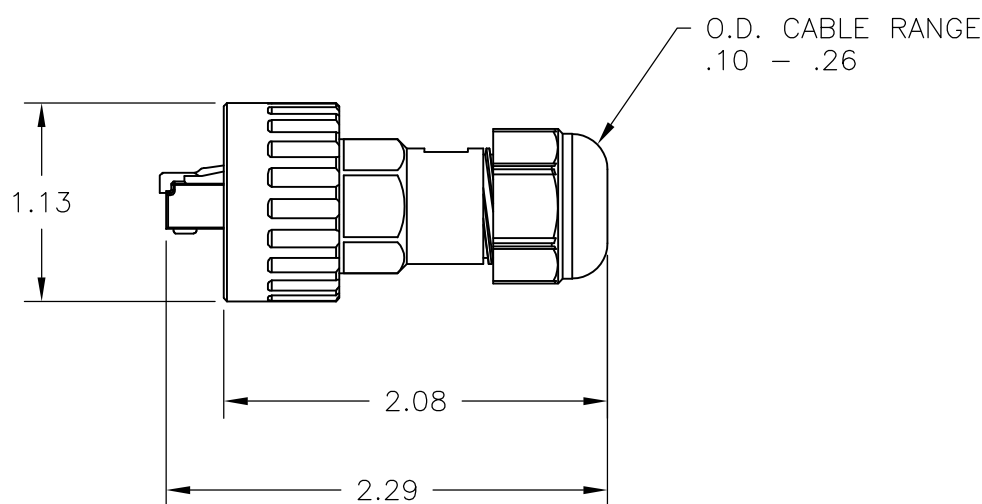
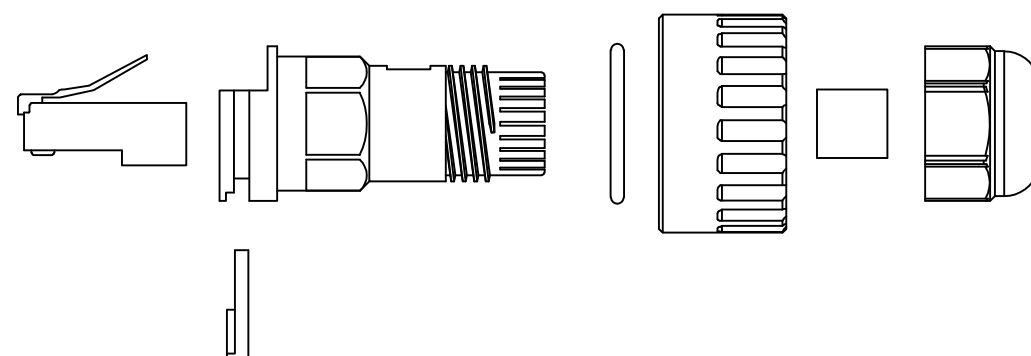
D1

REVISED PER ECO-11-004917

11MAR11

RK

HMR



1546440-1  
PART NO.

THIS DRAWING IS A CONTROLLED DOCUMENT.

DWN S SCHLEGEL 10/29/02

CHK H WAKEEM 10/29/02

APVD H WAKEEM 10/29/02

PRODUCT SPEC

APPLICATION SPEC

WEIGHT -

**STE** TE Connectivity

NAME  
FIELD ATTACHABLE RJ-45 CONNECTOR  
2.5-6.5MM ACCEPTABLE CABLE DIAMETER

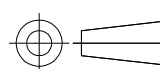
SIZE CAGE CODE DRAWING NO RESTRICTED TO

A3 00779 C-1546440

CUSTOMER DRAWING SCALE NTS SHEET 1 OF 1 REV D1

DIMENSIONS:  
INCHES

TOLERANCES UNLESS  
OTHERWISE SPECIFIED:



- 0 PLC ± -
- 1 PLC ± -
- 2 PLC ± .02
- 3 PLC ± .005
- 4 PLC ± -
- ANGLES ± 2'

MATERIAL -

FINISH -

# Mouser Electronics

Authorized Distributor

Click to View Pricing, Inventory, Delivery & Lifecycle Information:

[TE Connectivity:](#)

[1546440-1](#)