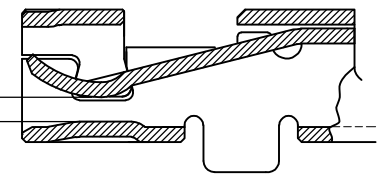
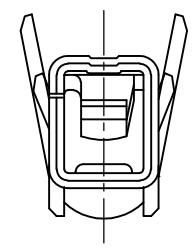
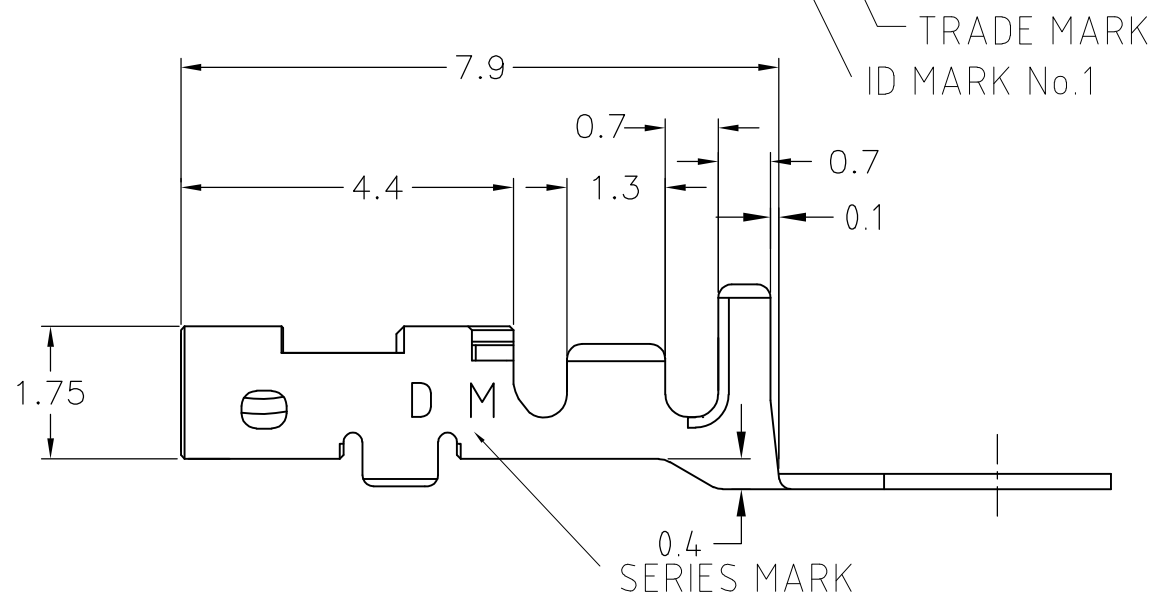
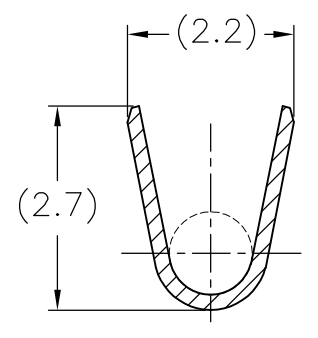
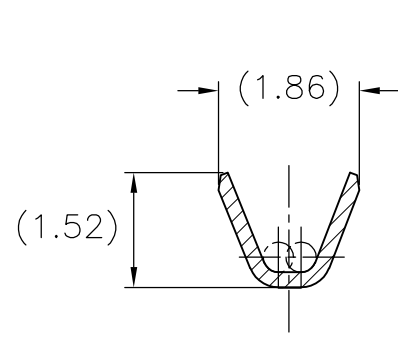
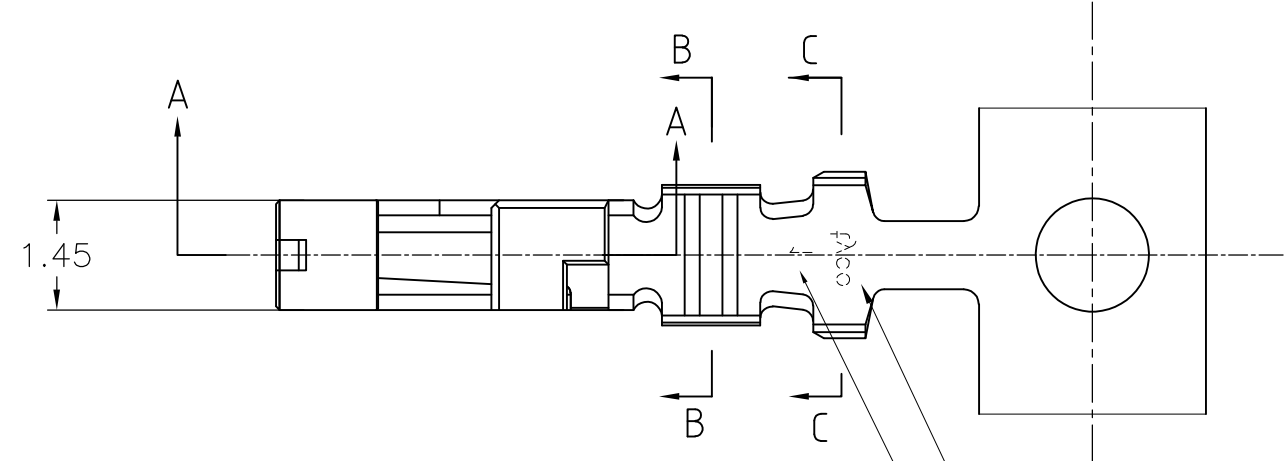


THIS DRAWING IS UNPUBLISHED. RELEASED FOR PUBLICATION  
 © COPYRIGHT BY TYCO ELECTRONICS CORPORATION. ALL INTERNATIONAL RIGHTS RESERVED.

LOC	DIST	REVISIONS		
J	—	P	LTR	DESCRIPTION
		E	REVISED	
				DATE
				26AUG10
				DWN
				T.T
				APVD
				T.M



0.5tタブにかん合  
MATE WITH 0.5t TAB

AWG#28~#22 0.08~0.38mm <sup>2</sup>	φ1.08~φ1.6	COPPER ALLOY, FINISH: CONTACT AREA Au 0.38μm MIN, OVER Ni 1.27μm MIN 材料: 銅合金, 下地: Niめっき1.27μm以上, 接点部: 金めっき0.38μm以上	1827570-2
WIRE RANGE 導体断面積	INSULATION DIA 被覆外径	MATERIAL 材料	PART No. 型番
THIS DRAWING IS A CONTROLLED DOCUMENT.		DWN T.KUDO 04MAR2005	Tyco Electronics Corporation Kawasaki, Japan
		CHK D.MITSUGI 04MAR2005	
DIMENSIONS: 単位: 耗 mm		APVD D.MITSUGI 04MAR2005	NAME 名称 DYNMIC D1000 SERIES REC CONTACT M TYPE REEL
		PRODUCT SPEC 製品規格 108-78268	
TOLERANCES UNLESS OTHERWISE SPECIFIED: 一般公差 0 PLG ± 0.3 1 PLC ± 2 PLC ± 3 PLC ± 4 PLC ± ANGLES ± 3deg		APPLICATION SPEC 取付適用規格 114-5377	SIZE A3
MATERIAL 材料	FINISH 仕上	WEIGHT	CAGE CODE 00779
		DRAWING NO 番号 G-1827570	
CUSTOMER DRAWING		SCALE 尺度 10:1	SHEET 1 OF 1
		REV E	

# Mouser Electronics

Authorized Distributor

Click to View Pricing, Inventory, Delivery & Lifecycle Information:

[TE Connectivity:](#)

[1827570-2](#)