



TO-92 Encapsulate Three-terminal Voltage Regulator

CJ78L06 Three-terminal positive voltage regulator

FEATURES

Maximum Output current

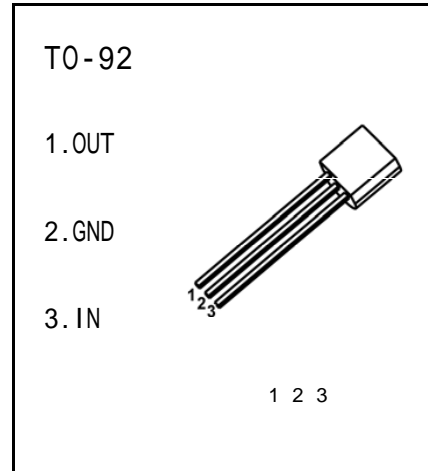
I_{OM} : 0.1 A

Output voltage

V_o : 6 V

Operating and storage junction temperature range

T_J, T_{stg} : -55 to +150



ABSOLUTE MAXIMUM RATINGS (Operating temperature range applies unless otherwise specified)

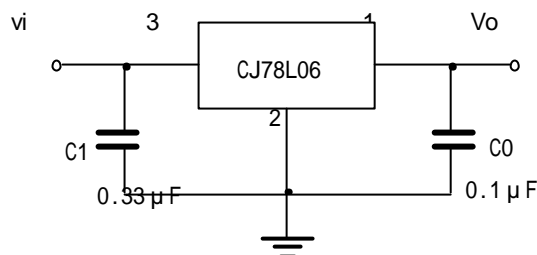
Parameter	Symbol	Value	Units
Input Voltage	V_i	30	V
Operating Junction Temperature Range	T_{OPR}	0—+125	
Storage Temperature Range	T_{STG}	-55—+150	

ELECTRICAL CHARACTERISTICS

($V_i=11V, I_o=40mA, 0 < T_j < 125, C_1=0.33 \mu F, C_o=0.1 \mu F$, unless otherwise specified)

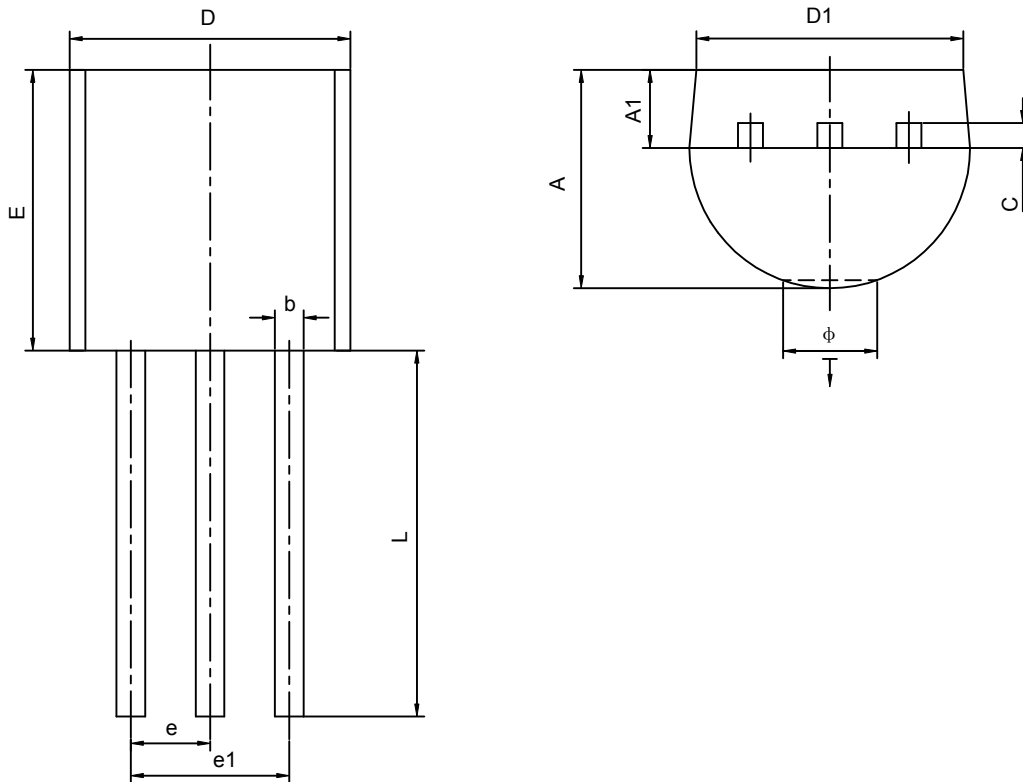
Parameter	Symbol	Test conditions	MIN	TYP	MAX	UNIT
Output voltage	V_o	$T_j=25$	5.75	6.0	6.25	V
		$8V \leq V_i \leq 20V, I_o=1mA-40mA$	5.7	6.0	6.3	V
		$8V \leq V_i \leq 20V, I_o=1mA-70mA$	5.7	6.0	6.3	V (note)
Load Regulation	V_o	$T_j=25, I_o=1mA-100mA$		16	80	mV
		$T_j=25, I_o=1mA-40mA$		9	40	mV
Line regulation	V_o	$8.5V \leq V_i \leq 20V, T_j=25$		35	175	mV
		$9V \leq V_i \leq 20V, T_j=25$		29	125	mV
Quiescent Current	I_q	$T_j=25$		3.9	6.0	mA
Quiescent Current Change	I_q	$9V \leq V_i \leq 20V$			1.5	mA
		$1mA \leq I_o \leq 40mA$			0.1	mA
Output Noise Voltage	V_n	10Hz $\leq f \leq$ 100KHz		46		μV
Ripple Rejection	RR	$9V \leq V_i \leq 19V, f=120Hz, T_j=25$	40	48		dB
Dropout Voltage	V_d	$T_j=25$		1.7		V

TYPICAL APPLICATION



Note : Bypass capacitors are recommended for optimum stability and transient response and should be located as close as possible to the regulators.

TO-92 PACKAGE OUTLINE DIMENSIONS



Symbol	Dimensions In Millimeters		Dimensions In Inches	
	Min	Max	Min	Max
A	3.300	3.700	0.130	0.146
A1	1.100	1.400	0.043	0.055
b	0.380	0.550	0.015	0.022
c	0.360	0.510	0.014	0.020
D	4.400	4.700	0.173	0.185
D1	3.430		0.135	
E	4.300	4.700	0.169	0.185
e	1.270TYP		0.050TYP	
e1	2.440	2.640	0.096	0.104
L	14.100	14.500	0.555	0.571
Ö		1.600		0.063
\downarrow	0.000	0.380	0.000	0.015