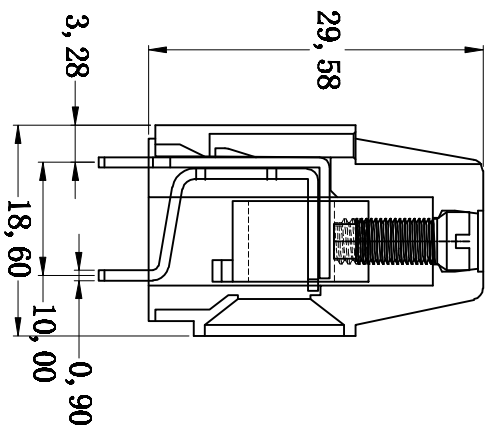
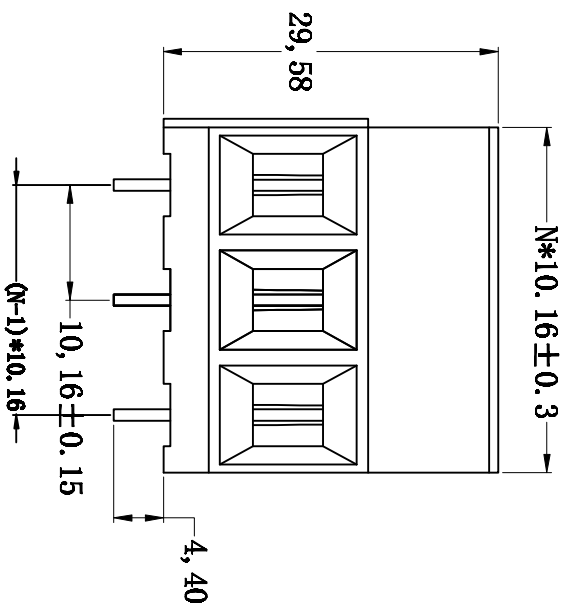
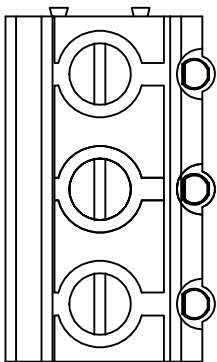


REV.	DESCRIPTION	DRAWN	CHECKED	APPROVED



**Materials**  
 Screw: M4 Steel Zinc Plated  
 Contact: Brass, Nickel plated  
 Pin header: Brass, Tin plated  
 Housing: PA66, UL94V-0

**Electrical**  
 Rated voltage: 600V  
 Rated current: 50A  
 Contact resistance: 20mΩ  
 Insulation Resistance: 5000MΩ/1000V  
 Withstand Voltage: AC3000V/Min  
 Wire Range: 20~6AWG 4mm<sup>2</sup>

**Mechanical**  
 Temp Range: -40℃~+105℃  
 MAX Soldering: +250℃ for 5 Sec  
 Torque: 1.2Nm(10.6lb.in)  
 Strip length: 10mm

1	2	3	4	5	6	7	8
H	G	F	E	D	C	B	A
GENERAL TOLERANCE X, .X ? ,30 .XX ? ,20 .XXX ? ,10				ANGLE TOLERANCE X, .X ? .XX ? .XXX ?			
DRAWING TYPE		SCALE		SHEET		1 OF 1	
DRAWING NO.		SCALE		SHEET		1 OF 1	
		TITLE EURO TERMINAL BLOCKS PITCH: 10.16mm		UNITS mm		SERIES KF136 SERIES	
KAIFENG ELECTRONIC CO., LTD		KAIFENG ELECTRONIC CO., LTD		KAIFENG ELECTRONIC CO., LTD		KAIFENG ELECTRONIC CO., LTD	
4	5	6	7	8	H	G	F